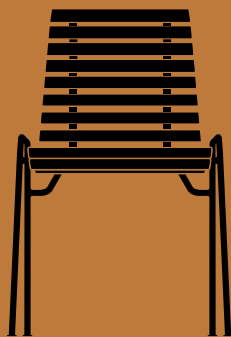


RFH Terrace Chair ^{RD4}

Robin Day

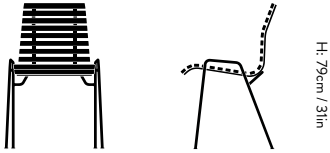
1951



RFH Terrace Chair^{RD4}

Robin Day

1951



W: 54.5cm / 21in, D: 52cm / 20in
Seat H: 45.5cm / 18in, Seating D: 40cm / 16in

Product description

Outdoor Side Chair

Environment

Outdoor

Material
Solid teak, powder coated high strength steel frame.
This product has not been treated with any biocides.

Production process
The steel frame is CNC bent and welded into place.
The teak wood is milled into shape then sanded and left untreated but smooth.

Variants

Teak & Black

Strength, durability and safety testing
The chair is tested for strength, durability and safety according to: EN 16139 Level 2 (Seating), EN 581 (Outdoor Furniture)

Dimensions
H: 79cm / 31in, W: 54.5cm / 21in, D: 52cm / 20in
Seat H: 45.5cm / 18in, Seat D: 40cm / 16in

Packaging dimensions
H: 93cm / 37in, W: 57.5cm / 23in,
D: 60.5cm / 24in

Weight
7.75 kg / incl. packaging: 17.8kg

Gliders
Plastic gliders

Spare parts
Teak wood slats available for purchase at andtradition.com

Colli quantity
2 pcs per box

Certifications



FSC® 100%

Impact

1. Framed in steel, a recyclable durable metal, reducing demand for raw material.
2. Made with solid teak, a high performing wood, aging gracefully over time.
3. Designed for disassembly, enabling easier repair, renovation and replacement of parts.

Manufacturer
Produced in PRC by Nine United Limited

→ **Stock items**
Teak & Black

Cleaning Instructions
Please download our Material Care & Cleaning instructions through www.andtradition.com



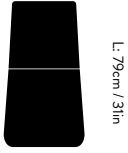
→ Teak & Black

&Tradition®

RFH Terrace Chair Cushion ^{RD4}

Robin Day

1951



W: 44cm / 17in, H: 3cm / 1in

Product description

Outdoor Cushion

Environment

Outdoor

Material

Water repellent and stain proof canvas (50% recycled acrylic, 47% acrylic, 3% polyester)

Production process

The cushion is made from fast drying foam and wadding which is cut and sewn into a cover.

Variants

Heritage Papyrus, Heritage Char

Dimensions

L: 79cm / 31in, W: 44cm / 17in, H: 3cm / 1in

Packaging dimensions

H: 7cm / 3in, W: 45cm / 18in, D: 44cm / 17in

Weight

0.53kg / incl. packaging: 0.56kg

Impact

TOP FABRIC ONLY: 1. Made with 50% repurposed fibres sourced from production offcuts. 2. Resistant against water, stains, UV damage and mould, prolonging its lifespan.

Manufacturer

Produced in Poland by Trioline

Cleaning Instructions

Please download our Material Care & Cleaning instructions through www.andtradition.com

→ Stock items

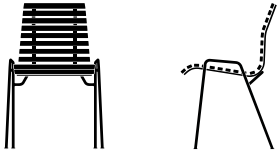
Heritage Papyrus and Heritage Char



→ Heritage Papyrus



→ Heritage Char



H: 79cm / 31in

W: 54.5cm / 21in, D: 52cm / 20in
Seat H: 45.5cm / 18in, Seating D: 40cm / 16in

Recycling & Disassembly

RFH Terrace Chair ^{RD4}

RECYLING

The RFH Terrace Chair is built to last, and we hope that your RFH Terrace Chair will serve you for many years. The chair is made from solid wood, and can be easily separated from its base. All metal and wooden parts can be separated and delivered to a suitable recycling station.

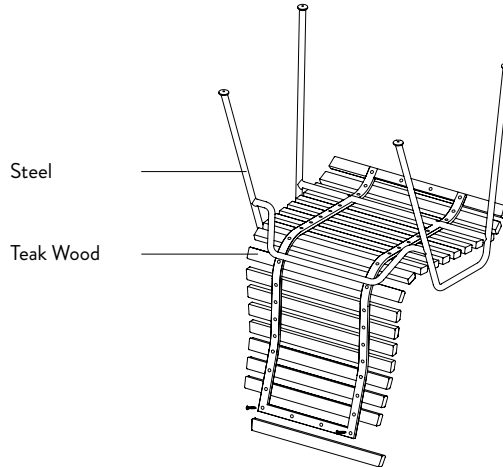
SPARE PARTS

To purchase spare parts for your RFH Terrace Chair, please write to our sales support team at info@andtradition.com with your query.

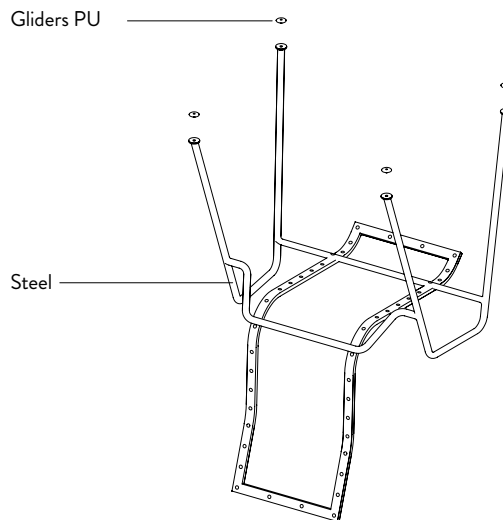
5 YEAR WARRANTY

&Tradition provides a 5-year warranty with every RFH Terrace Chair, which covers faults which were present at the time of purchase, or which have occurred as a result of a manufacturing defect. The warranty is valid from the date stated on the original invoice.

DISASSEMBLY



1. Remove the wooden slats, by turning the allen key counterclockwise.



2. Remove the gliders using a flat head screwdriver.