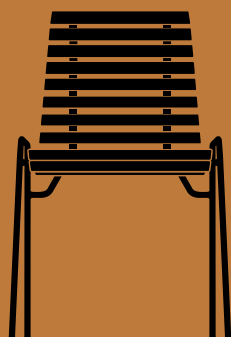


RFH Terrace Chair ^{RD4}

Robin Day

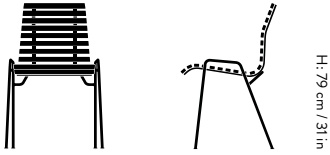
1951



RFH Terrace Chair^{RD4}

Robin Day

1951



W: 54.5 cm / 21 in, D: 52 cm / 20 in
Seat H: 45.5 cm / 18 in, Seat D: 40 cm / 16 in

Product description

Outdoor side chair

Environment

Outdoor

Material

Solid teak, powder coated high strength steel frame.
This product has not been treated with any biocides.

Production process

The steel frame is CNC bent and welded into place.
The teak wood is milled into shape then sanded and left untreated but smooth.

Dimensions

W: 54.5 cm / 21 in
H: 79 cm / 31 in
D: 52 cm / 20 in
Seat H: 45.5 cm / 18 in
Seat D: 40 cm / 16 in

Weight

7.75 kg

Strength, durability and safety testing

EN 16139 Level 2 - Seating
EN 581 - Outdoor Furniture

Certifications



FSC® 100%

Gliders

Plastic gliders

Spare parts

Teak wood slats available for purchase at andtradition.com

Impact

- Framed in steel, a recyclable durable metal, reducing demand for raw material.
- Made with solid teak, a high performing wood, aging gracefully over time.
- Designed for disassembly, enabling easier repair, renovation and replacement of parts.

Manufacturer

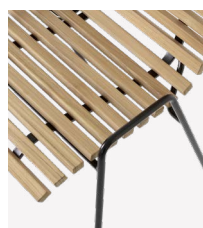
Produced in PRC by Nine United Limited

→ Stock items

Teak & Black

Cleaning Instructions

Please see our [Maintenance & Care instructions here](#)

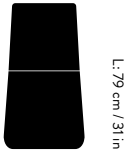


→ Teak & Black

RFH Terrace Chair^{RD4}

Robin Day

1951



W: 44 cm / 17 in, H: 3 cm / 1 in

Product description

Outdoor cushion

Environment

Outdoor

Material

Water repellent and stain proof canvas made from 50% recycled acrylic, 47% acrylic, 3% polyester.

Production process

Fast drying foam and wadding is cut to size, then put into the textile cover.

COM - Material Consumption

Fabric usage: 0.88 meters based on 140 cm roll

Dimensions

W: 44 cm / 17 in

L: 79 cm / 31 in

H: 3 cm / 1 in

Weight

0.53 kg

Impact

TOP FABRIC ONLY:

- Made with 50% repurposed fibres sourced from production offcuts.
- Resistant against water, stains, UV damage and mould, prolonging its lifespan.

Manufacturer

Produced in Poland by Trioline

Cleaning Instructions

Please see our [Maintenance & Care instructions here](#)

→ Stock items

Heritage Papyrus and Heritage Char



→ Heritage Papyrus



→ Heritage Char

RFH Terrace Chair^{RD4}

Robin Day

1951



W: 43 cm / 17 in, H: 3 cm / 1 in

Product description

Outdoor seat pad

Environment

Outdoor

Material

Water repellent and stain proof canvas made from 50% recycled acrylic, 47% acrylic, 3% polyester

Production process

Fast drying foam and wadding is cut to size, then put into the textile cover.

COM - Material Consumption

Fabric usage: 0.35 meters based on 140 cm roll

Dimensions

W: 43 cm / 17 in

L: 44 cm / 17 in

H: 3 cm / 1 in

Weight

0.3 kg

Impact

- Made with 50% repurposed fibres sourced from production offcuts.
- Resistant against water, stains, UV damage and mould, prolonging its lifespan.
- Removable cover.

Manufacturer

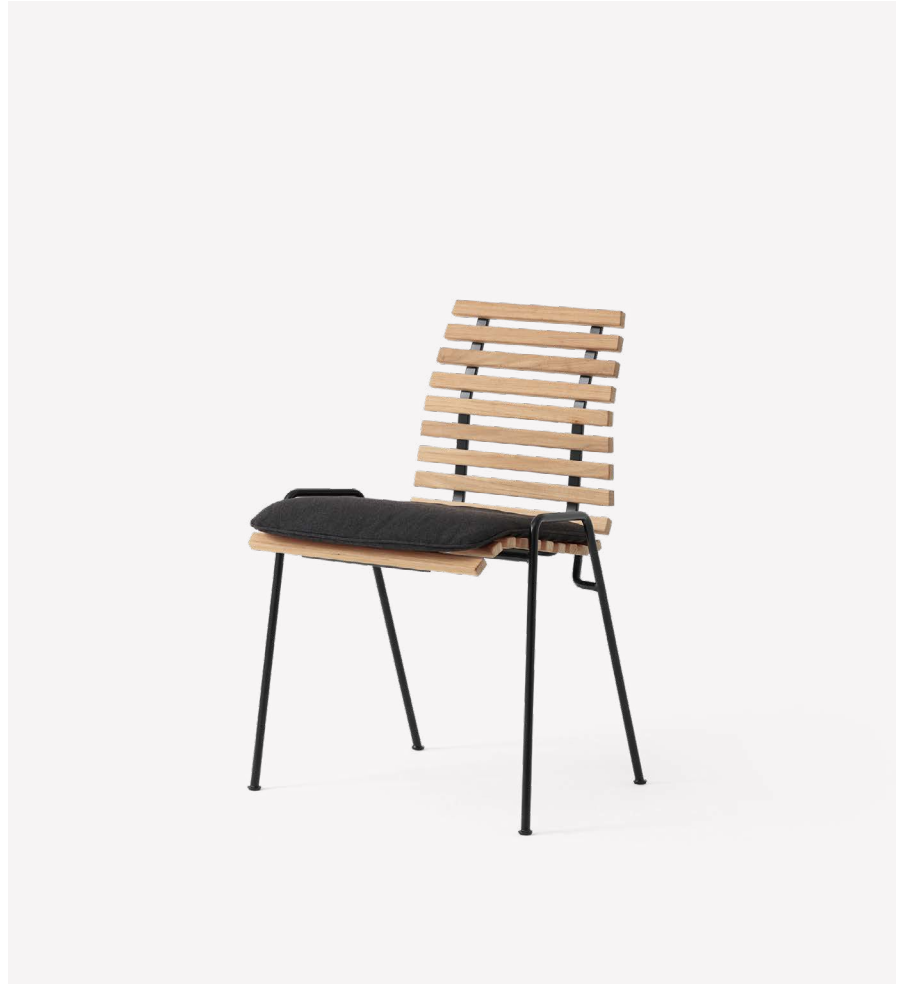
Produced in PRC by Nine United Limited

Cleaning Instructions

[Please see our Maintenance & Care instructions here](#)

→ Stock items

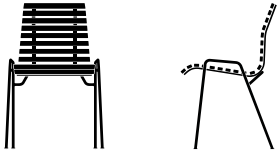
Heritage Papyrus and Heritage Char



→ Heritage Papyrus



→ Heritage Char



H: 79cm / 31in

W: 54.5cm / 21in, D: 52cm / 20in
Seat H: 45.5cm / 18in, Seating D: 40cm / 16in

Recycling & Disassembly

RFH Terrace Chair ^{RD4}

RECYLING

The RFH Terrace Chair is built to last, and we hope that your RFH Terrace Chair will serve you for many years. The chair is made from solid wood, and can be easily separated from its base. All metal and wooden parts can be separated and delivered to a suitable recycling station.

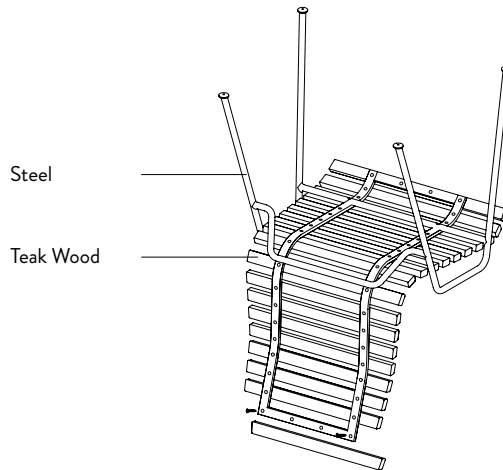
SPARE PARTS

To purchase spare parts for your RFH Terrace Chair, please write to our sales support team at info@andtradition.com with your query.

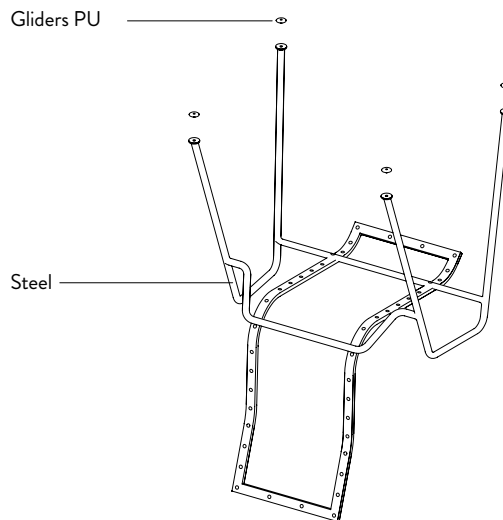
5 YEAR WARRANTY

&Tradition provides a 5-year warranty with every RFH Terrace Chair, which covers faults which were present at the time of purchase, or which have occurred as a result of a manufacturing defect. The warranty is valid from the date stated on the original invoice.

DISASSEMBLY



1. Remove the wooden slats, by turning the allen key counterclockwise.



2. Remove the gliders using a flat head screwdriver.