

FRITZ HANSEN



GRAND PRIX™
PRODUCT FACT SHEET

GRAND PRIX™

The Grand Prix™ chair is a chair with graphic edge. It was introduced at the Designers' Spring Exhibition at the Danish Museum of Art & Design in 1957. Later that year, the chair was displayed at the Triennale in Milan where it received the Grand Prix, the finest distinction of the exhibition.

PRODUCT TYPE

Chair

ENVIRONMENT

Indoor

DESIGNER / YEAR OF DESIGN

Arne Jacobsen, 1957

ABOUT THE DESIGNER

The collaboration between Arne Jacobsen and Fritz Hansen dates back to 1934. It was not until 1952 however that the team got its breakthrough with the Ant™. It was succeeded by Series 7™ in 1955, thereby enabling both Jacobsen and Fritz Hansen to write their names into furniture history.

MODELS

3130: Chair w. tube legs (stackable up to 5 chairs*)

3131: Chair w. swivel base and castors

3138: Counter stool w. tube legs

3139: Bar stool w. tube legs

4130: Chair w. wooden legs

* Upholstered chairs must be stacked with protection in between each chair.

MATERIAL

Shell: The shell of the Grand Prix™ chair is made of pressure moulded veneer - 7 layers of inner veneer and 2 layers of outer veneer on front and back. The inner veneer is always beech and the outer veneer is available in 2 different natural veneers (Oak and Walnut). The chair is also available in two finishes: Coloured ash or Lacquered, in 16 different colours. All models are also available with front or full upholstery in textile or leather. Model 4130 is also available in Coloured ash in select colour configurations.

Base: The base for 3130, 3138 and 3139 is made of 14 mm steel tubes with 4 legs and leg ferrules of black synthetic material. The base is mounted with black support spacers and a black cover cap. The swivel base for 3131 is made of 14 mm steel tubes and 5 hard-wheel castors with aluminium caps (soft wheels are also available). The bases are available in chromed steel or powder coated steel in 6 colours. The base for model 4130 is made in veneer matching the veneer or colour of the shell (non-stackable).

Model 3130 is available in 3 seat heights: 43/46/48 cm | 16.9"/18.1"/18.9". Model 4130 is available in 2 seat heights: 44/46 cm | 17.3"/18.1".

Materials in % (examples):

3130 without upholstery:	3130 with full upholstery:
Laminated wood: 59%	Laminated wood: 52%
Steel: 38%	Steel: 33%
Plastic: 3%	Foam: 7%
	Textile: 5%
	Plastic: 3%

FEATURES

- Linking device (3130)
- Felt glides (3130, 3138, 3139, 4130)
- Transport dolly: Small for 5 chairs (3130)
- Chair rack (3130)
- Large underside cover for improved stacking of upholstered chairs

COLOURS

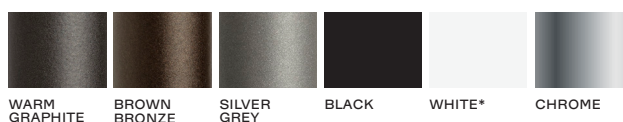
The shell is available in 16 colours:



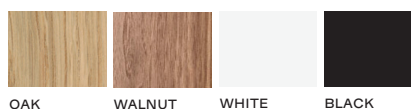
The shell is available in 2 types of natural veneer:



The steel base is available in 7 variants:



The wooden base is available in 5 variants:



UPHOLSTERY

The front upholstery for the Grand Prix™ is available in the following selection of textile and leather types:

Textile: Christianshavn™, Canvas, Capture, Comfort, Diablo, Divina, Divina Melange, Divina MD, Fame, Fiord, Hallingdal, Remix, Re-wool, Steelcut, Steelcut Trio, Sunniva, Tonus, Vanir.

Leather: Embrace, Essential, Grace, Natural, Soft

MADE-TO-ORDER

Non-standard configurations (special colours, upholstery etc.) are available upon request at a minimum order quantity.

PRODUCTION PROCESS

Shell: The shell is made of laminated, pressure moulded veneer - 9 layers in total. The 2 outer layers are made in veneer of different wood types, the 7 inner layers are made of beech. The veneer layers are glued together with water-based urea-formaldehyde glue. Un-upholstered chairs are coated with polyurethane lacquer, which prevents the emission of formaldehyde.

Upholstery: The shell is padded with polyurethane (PUR) foam. A water-soluble glue is used for bonding of upholstery to the foam and foam to the shell.

Base: The base is made of chromed steel or powder coated steel. Fritz Hansen uses both trivalent chromium (Cr3) and hexavalent chromium (Cr6) for chromium plating. Fritz Hansen will convert to solely using trivalent chromium (Cr3) when the capacity in the Industry allows it. The wooden legs consist of 23 layers of laminated beech veneer with oak or walnut as outer veneer. The veneer is glued together with water-soluble urea-formaldehyde glue.

CERTIFICATION

- PEFC™ PEFC/09-31-068: The Grand Prix™ in beech, oak and walnut and painted shells are PEFC certified. This PEFC certification ensures the wood is from forests that are managed with respect for the ecological, social and ethical standards. At the moment Grand Prix™ (4130) with wooden legs is not PEFC certified.
- GreenGuard Gold: The Grand Prix™ is GreenGuard Gold certified. GreenGuard certification is an emission certification for indoor air quality. Products with ultra-low-emitting materials can achieve GreenGuard Gold.

For more information about environment and manufacturing processes, please download our environmental information sheet at: fritzhansen.com

TEST

- Strength and durability: EN 16139:2013 (EN 1728) Test Level 1 General Contract use
- Stability: EN 1022:2005

WEIGHT

Models without upholstery:

3130: 3,9 kg / 8.6 lbs

3131: 7,1 kg / 15.7 lbs

3138: 7,0 kg / 14.4 lbs

3139: 7,2 kg / 15.9 lbs

4130: 3,7 kg / 8.2 lbs

COUNTRY OF ORIGIN

Poland

PRE-ASSEMBLED

Yes

PACKAGING

PE foam and cardboard are used as protection between stacked chairs. The chairs are covered with a plastic bag and shipped in cardboard. All packaging material can be recycled.

CLEANING AND CARE

Find recommendations for cleaning and care at: fritzhansen.com/maintenance

REPAIR, DISPOSAL AND REUSE

In case of repair and disposal the chair can be disassembled into two parts (shell and base). All parts can be recycled. Check local regulations for recycling options and whether there is potential for reuse.

WARRANTY

Fritz Hansen provides a standard 10-year warranty on all Arne Jacobsen shell chairs: Ant™, Grand Prix™, Lily™ and Series 7™.

On any material, textile or leather, which is not listed in our price list on a specific product, the standard warranty is 2 years.

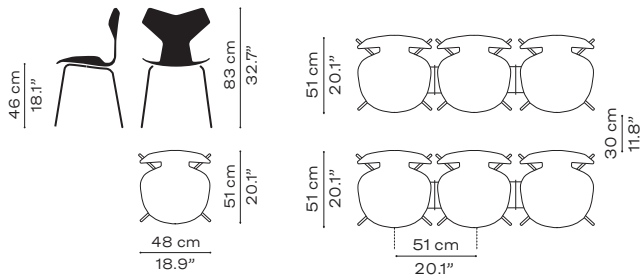
Additional warranty conditions can be found at: fritzhansen.com/warranty

SPARE PARTS

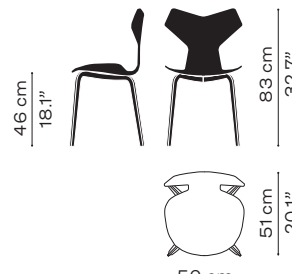
A range of spare parts can be found on: fritzhansen.com/en/Categories/Products/Spareparts

DIMENSIONS

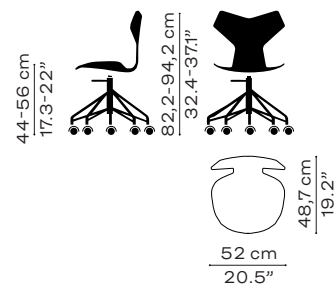
3130



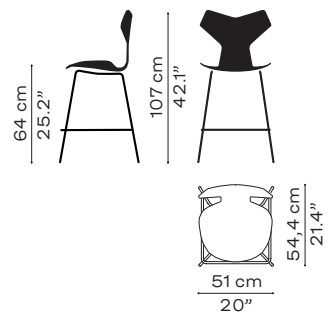
4130



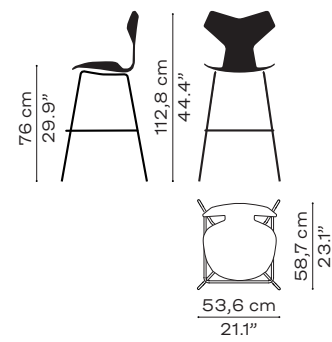
3131



3138



3139



Small transport dolly (for 5 chairs)

