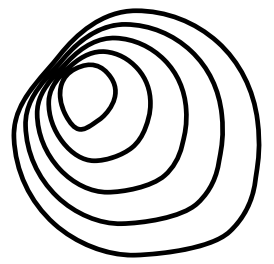
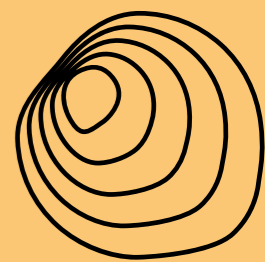


# BROKIS® CATALOGUE



A TRADITIONALLY CRAFTED  
CONTEMPORARY VISION OF LIGHT



BROKIS®

# BROKIS



BROKIS – a synthesis of exquisite design, superior quality, and the skill of master artisans continuing the centuries-old Bohemian glassmaking tradition. BROKIS lighting collections have achieved international acclaim by combining handblown glass with other refined materials, such as handcrafted wood and metal, in bold compositions that push the boundaries not only of

contemporary lighting design but of the technologies applied in production. The family-run premium brand works with select designers from around the world and operates its own historical glassworks southeast of Prague. Each BROKIS light is a genuine original, a functional work of art as captivating by day as it is by night.



BROKIS is the brainchild of successful Czech entrepreneur Jan Rabell. In 2006, he founded the brand as a platform to enliven and elevate Bohemian glassmaking to new heights and preserve generations of knowledge and craftsmanship. Nearly ten years prior, in 1997, he acquired the ailing Janštejn Glassworks, founded at the start of the 19th century approximately 140 kilometres southeast of Prague. Demand for traditional products had declined significantly, many of the glassmakers were growing old and leaving, and time-honoured technologies and techniques were at risk of being lost. Mr. Rabell's vision was to restore the factory to its former prestige and ensure that the ages-old Bohemian glassmaking tradition endured into the 21st century.

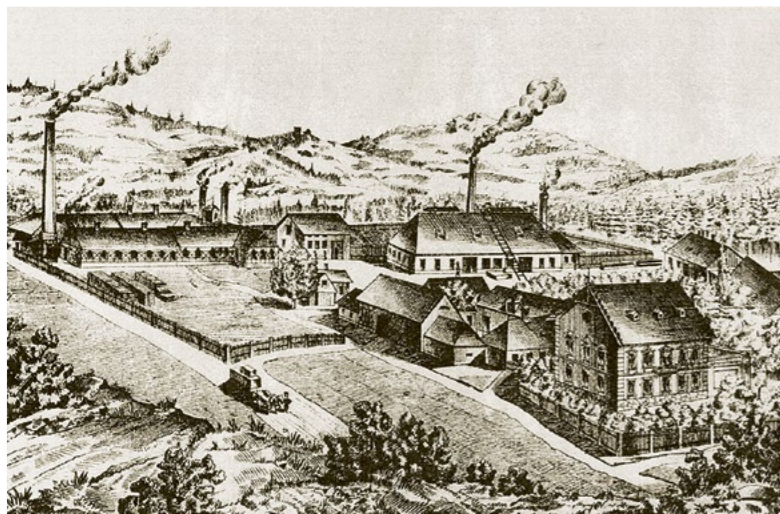
With BROKIS, Mr Rabell created a lighting brand offering entirely different products than those previously produced at Janštejn Glassworks. Several new Italian-style furnaces were built, and production techniques were refined. Some, such as grinding and glass painting, were discontinued, and others were revived, like glassblowing using optic moulds and traditional hot-shop techniques. Original and nearly forgotten formulas for manufacturing coloured glass were reinstated and are now characteristic of the BROKIS brand.

BROKIS has firmly established itself as a leading innovator in glass lighting. For example, the complex technology applied in manufacturing the Night Birds collection, which consists of imposing yet elegant curved glass silhouettes of birds in various phases of flight, required two years of experimentation to perfect. BROKIS is constantly developing new technologies for its lights in order to offer consistent industry-leading quality and innovation throughout its global product portfolio, such as with a special original connector or the all-new sustainable material called BROKISGLASS. BROKIS also maintains a strong online presence through a series of innovative projects, including BROKIS VIRTUAL VILLA and the unique MyBrokis application. In the autumn of 2020, BROKIS unveiled a new visual identity – a new logo containing the JG mark in reference to the newly created holding JANŠTEJN GLASS GROUP, of which BROKIS is a part. Today, BROKIS and Janštejn Glassworks employ more than 100 people and enjoy a unique symbiosis that has allowed BROKIS to launch sales operations in 100 countries and regularly showcase its renowned lighting collections at the world's top design shows.

# PRESERVING THE BOHEMIAN GLASSBLOWING TRADITION

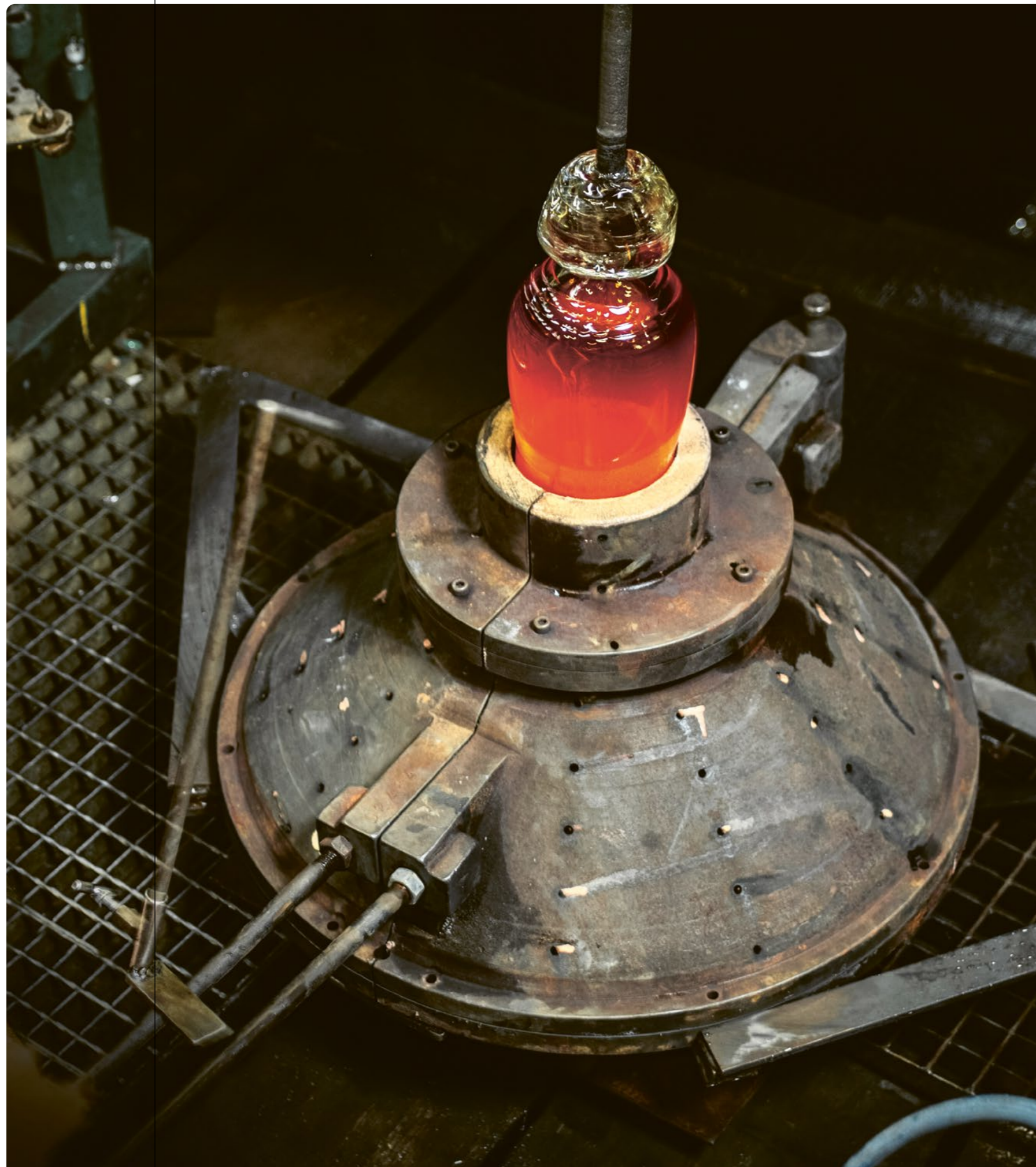


# JANŠTEJN GLASSWORKS



For more than 200 years, Janštejn Glassworks, situated in Bohemia's picturesque Vysočina Region, has upheld a glassblowing tradition that dates to the end of the 17th century. Founded in 1809 near the village of Horní Dubenky, the factory and generations of tenacious craftspeople employed by it have enjoyed

periods of prosperity yet have also endured much hardship, with three devastating fires, two world wars, and nationalization among their greatest challenges. Today, Janštejn Glassworks is the largest producer of specialty lighting glass in the Czech Republic.



Entrepreneur Jan Rabell is one of the most dynamic figures in the Czech Republic's glassmaking industry. Born in Prague in 1965 to a Puerto Rican father and Czech mother, he grew up in his father's homeland, returning to Prague to pursue a master degree in economics. He went on to hold various managing director posts in the field of finance and banking.

In 1997, he purchased the ailing Janštejn Glassworks and set about restoring its prestige and competitiveness primarily by introducing unconventional glassblowing techniques and production technologies.

In 2006, he founded the premium handblown glass lighting brand BROKIS, quickly developing it into one of the most important players in the market and exporting its products to countries around the world. His charisma, energy, and innovative vision continue to propel BROKIS and Janštejn Glassworks steadily forward. Mr Rabell's entire family are involved in the business, with his wife, Petra, and son André playing especially important roles.



**“NOTHING’S IMPOSSIBLE;  
NEVER SAY IT CAN’T BE DONE.”**

# PEOPLE: JAN RABELL

BROKIS art director Lucie Koldova is an acclaimed Czech product and furniture designer. Her collaboration with the lighting brand began in 2010 with the timeless Muffins and Balloons collections, which she designed while living and working in Paris. The voluminous glass lights embody her charismatic, elegant style and quickly established BROKIS as an innovative producer of handblown glass lighting. She is the creative force behind the brand and is instrumental in shaping its product portfolio and image.

Her creations, objects of desire, include glass sculptures, glass lighting, poetic gallery pieces, and limited-series works. Breathtaking colours, unusual proportions, and vibrant formal contrasts move her work seemingly beyond the realm of the possible, a trademark at once apparent in lighting collections such as Balloons, Macaron, Puro, and Ivy. In addition to developing ever-more novel and exciting motifs, Lucie Koldova has introduced important technological and formal solutions that have enabled BROKIS to push the limits of handblown glass production.

# PEOPLE: LUCIE KOLDOVA



**“I SEE A LIGHT AS A SCULPTURE – AN OBJECT RADIATING ENERGY. I SHAPE THE ENERGY OF LIGHT THROUGH THE RELATIONSHIP BETWEEN THE SOURCE AND THE GLASS.”**

# VIRTUAL VILLA



To show you just how remarkable our lighting collections are, we created a virtual villa for you to view them in.

The virtual villa offers architects, interior designers, and end customers a unique opportunity to view the majority of our collections under one roof, in a single villa featuring refined and timeless interiors.

During the tour of the villa, which spans more than 900 virtual square metres across eight rooms and two outdoor terraces, you will discover more than 15 perspectives, each providing a detailed view of the unique

lighting compositions, including closeups of individual lights and possible combinations and colour options together with a summary of the most important information for each collection. The intensity of the light of the individual collections is based on photometric measurements (LDT files) to ensure the virtual rendering is as realistic as possible.

Walk around. Linger for a while at a spot that especially catches your imagination. Do a bit of daydreaming. Light and art exist to evoke emotion in us. Indulge in the experience.





**BROKIS  
DESIGN BY**

**LUCIE KOLDOVA  
DAN YEFFET  
BORIS KLIMEK  
CHIARAMONTE MARIN  
FUMIE SHIBATA  
LENKA DAMOVÁ  
VRTIŠKA & ŽÁK**

**INTERIOR  
LIGHTS**

# MUFFINS



The timeless Muffins collection represents an extraordinary lighting experience. Since its market debut, it has taken on an iconic status and become a symbol of the BROKIS brand. The sublimity of the design lies in the masterful combination of delicately contoured glass and solid wood. The lights, featuring a billowing glass shade set in a handcrafted wood base together with a naked

filament bulb, breathe new life into any space and elicit a festive ambience. The collection offers multiple shape and size variants as well as a broad palette of glass colours and woods. To celebrate ten years since the introduction of Muffins, a special anniversary edition was created in 2020 combining wood in high gloss with marble and different colours of glass.

DESIGN

LUCIE KOLDOVA, DAN YEFFET









# BALLOONS



Balloons, a collection of timeless lights embodying rudimentary forms that evoke images of hot-air balloons, captivates with the beauty of large-format handblown glass and an elegant metal reflector hovering within. The design's charm lies in the use of two independent glass sections to achieve the impression of an integral whole. Lavish proportions and an elegant hand-pressed metal reflector are the collection's defining

traits. The size of the largest shade pushes the very boundaries of glassblowing technology and illustrates the exceptional skill and craftsmanship of Bohemian glassmakers. The Balloons collection is one of the pillars of the BROKIS portfolio. The lights come in three sizes. Balloons also make an outstanding sculptural statement during the day when they are switched off.

DESIGN

LUCIE KOLDOVA, DAN YEFFET











The Shadows collection is a take on the famed, timeless lights found in French ateliers, and its typology pays tribute to that legacy. The combination of handblown glass, handcrafted wood, and classic shaping has given rise to a light of ageless elegance. The collection comprises four different suspension lights, as striking alone as they are in sets, characterized by a handblown glass shade set upon on a handcrafted wooden fixture. The clean contours and finish are accentuated by the concealed light source. The Shadows collection is special not only for its wide spectrum of glass colour options, surface finishes,

## DESIGN

and types of wood but also because the lights can be combined in sets according to customer requirements. They are intended for interiors and, thanks to multiple combination possibilities, are well suited to a broad range of installations. The contours of the Shadows XL collection stay true to the original Shadows collection but are nearly 50% bolder in their proportions. There is also an outdoor version for installation in exterior settings. All the Shadows collections have special integrated connectors developed by BROKIS to facilitate installation and cleaning.

LUCIE KOLDOVA, DAN YEFFET



# SHADOWS











# MEMORY

The Memory collection awakens the imagination and beckons back to a carefree childhood. The wall and ceiling versions in different sizes, the wide range of colour options, and a selection of finishes give this lighting experience a large degree of versatility. The illusion of inflated balloons is flawless right down

DESIGN

to the dangling string, which serves to switch the light on and off. This is beauty in its simplest and most persuasive form. The Memory collection consists of ceiling and wall versions in three sizes. There are also sets that allow multiple lights to be combined on a single ceiling canopy.

BORIS KLIMEK











Capsula is a sophisticated and exhilarating light bearing resemblance to a plant cell or seed. The nucleus of the piece is a tubular triplex-glass LED light source, developed by BROKIS, that transects the inner shade and translucent external shell to form a notional axis. The layering and overlapping of these three distinct components give rise to dramatic 3D optical effects. The end caps fasten the components together and serve as anchor points for the creative dual suspension

straps, which also conceal the power cable and allow for variation in the final positioning of the light. The Capsula collection is offered in sets as well as individual lights that can be combined per customer requirements. From spring 2018, Capsula is fitted with special integrated connectors developed by BROKIS to facilitate installation and cleaning.

**DESIGN**

**LUCIE KOLDOVA**



# CAPSULA













The Mona collection is based on the concept of penetrating forms. The light source boldly traverses the ample volume of smooth handblown glass to reveal the thrilling tension inherent in the design. The collection's essence, however, lies in its unconventional construction and refined combination of materials. It also

boasts dimmable tubular LED light sources, developed by BROKIS, each with a different colour temperature. The table version is fitted with a USB connector for convenient charging of telephones and other devices. The collection comprises several sizes (S, M, L, XL) and various types of lights (pendent, floor, table, wall).

## DESIGN

LUCIE KOLDOVA



# MONA













The Whistle collection is, quite literally, a living reference to the work of glassmakers, as inspiration for the design was taken from the blowpipe, which in Czech is known as a glassmaker's whistle. The lucid body of the piece traces the silhouette of a cone of light, and a distinct spotlight with hand-pressed metal shield constitutes its imaginary heart. The overall

## DESIGN

shape and the naked cable winding its way up through the body of the light define the character of its simplistic technical form. The collection comprises a suspension light in two sizes as well as a set of three lights. From March 2018, Whistle is fitted with special integrated connectors developed by BROKIS to facilitate installation and cleaning.

LUCIE KOLDOVA



# WHISTLE















# NIGHT BIRDS



Inspired by the abandon and freedom of bird flight, the innovative Night Birds suspension lights impart poetic enchantment and unparalleled dynamism to any interior. Night Birds differ from the other collections in the unique technology applied in production, which involves melting glass into a mould and then bending it. The process makes it possible to instil delicate nuances in the shape of the wings and achieve a colouration of the glass that is different and wholly unique

each time. The collection's restraint and directness are underscored by the minimalist LED light source set in a fixture of lacquered and polished aluminium. The Night Birds collection comprises three lights with different wing attitudes depicting the various phases of bird flight. The lights come in white or dark glass as well as in BROKISGLASS, and there is also a new outdoor variant. Night Birds work best in large flocks.

DESIGN

BORIS KLIMEK





# LIGHTLINE



In its every component, the Lightline collection is a celebration of glass as an artistic medium. The concept of a line of light is rooted in the varying characteristics of the material and its forms. The design employs the effect of light uniformly dispersed over a sandblasted surface, which in profile creates the impression

of a luminous line. The LED light source is embedded in the base beneath a metal and triplex opal glass shroud. The upper surface, sandblasted by hand, is treated with a special nano coating to prevent the accumulation of dust and smudges. The collection comprises four table lamps that cast a light of intimate character.

DESIGN

LUCIE KOLDOVA













Knot, a collection of stately pendent lights, contrasts two dissimilar materials, two dissimilar notions: gentle curves in clear handblown glass against the austerity of coarse rope. The resulting design is striking, forthright, and dignified at the same time. Full-bodied globes of varying shapes and sizes are penetrated by robust rope ending in the core design element of the collection – the knot – which seemingly pulls the bottom of the glass inward for a bemusing

plastic effect. The LED light source is mounted beneath an elegant hood made of stamped metal and protected from below by a handblown triplex opal diffuser. Another metal component serves to cap the end of the rope. The collection comprises lights of four different shapes in two sizes with a variety of colour options. There's also a romantic table light, which is now available in a version for exterior use as well.

## DESIGN

## CHIARAMONTE MARIN



# KNOT













# PURO



Puro is a boldly minimalistic variation on atmospheric pendent lights. Inspiration for the collection and its name come from the Spanish word for “cigar”, which also means “pure” and is a reference to the composition’s clean lines. The original design in the Puro collection creates an intriguing interplay between horizontal and vertical luminous cigar tubes levitating in space above simple bell lights. The diffused glow of the tubes combines with that of the bells to elicit a dynamic ambience, while the alternating gloss and matte finishes provide a degree of provocation. The first variations to appear were a bell light suspended beneath

a single vertical tube and dual bell lights suspended beneath a single horizontal tube. Multiple tubes can be combined to create amazing installations, such as a screen to divide space and evoke an intimate atmosphere bordering on scenography. The endless variability of the Puro collection gives rise to new lighting objects for any interior. The Puro family – Solo, Single, Spotlight, Eclectic, Contour, Sparkle, and Floor – is available in various sizes in either matte triplex opal or smoke grey glass. Puro have special integrated connectors developed by BROKIS for improved variability and ease of installation and cleaning.

DESIGN

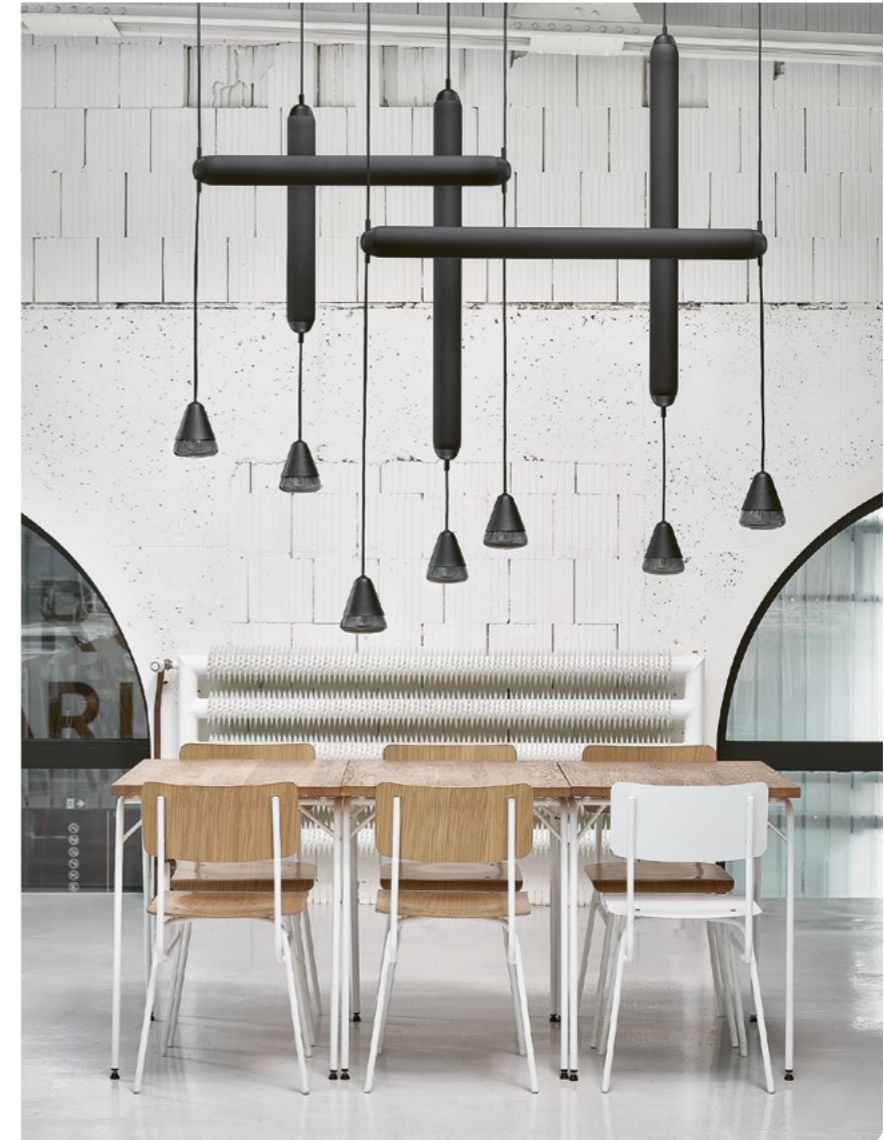
LUCIE KOLDOVA



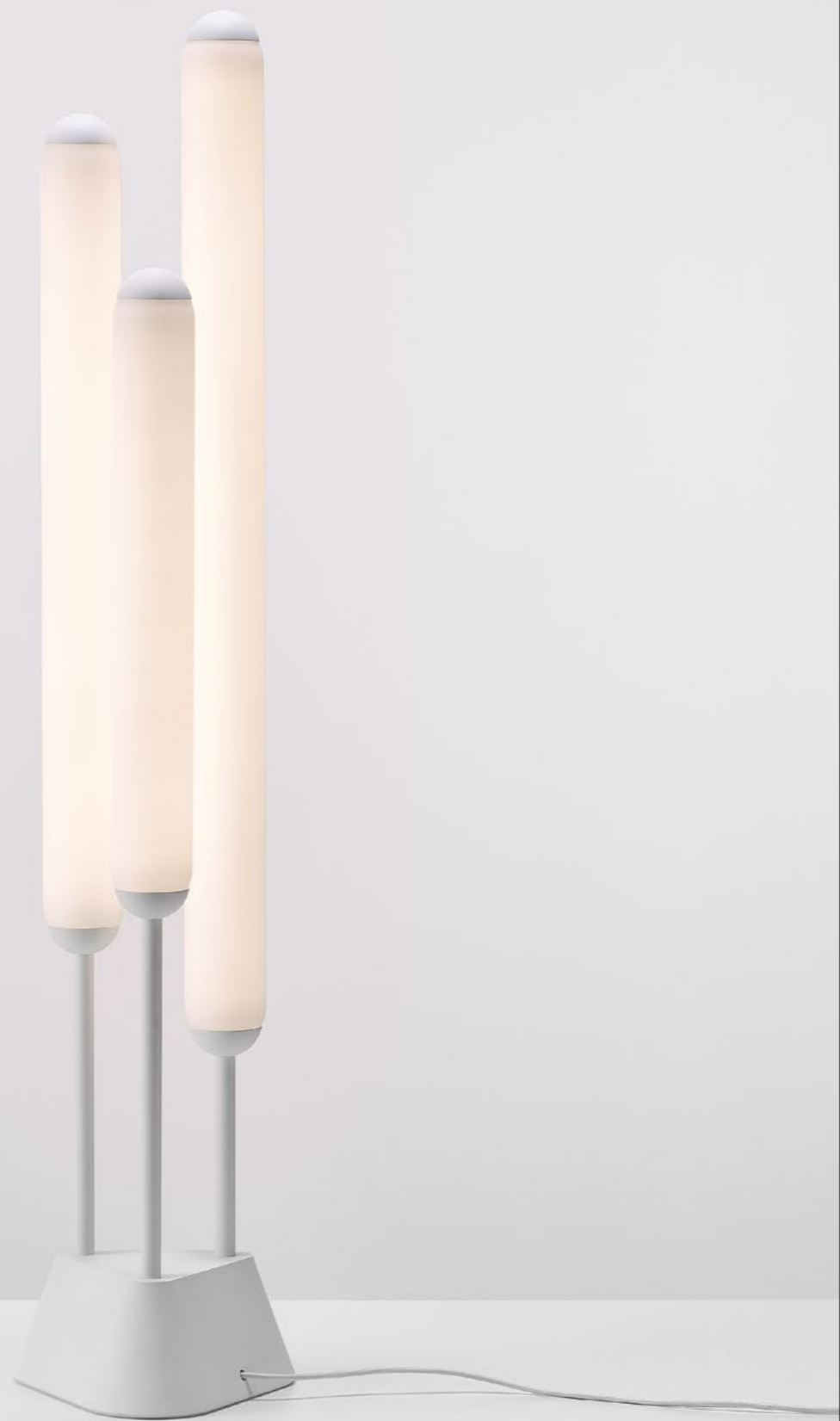
















# MACARON



The Macaron table light pays homage to the beauty and complex structures of crystalline stone. Enclosed in opposing domes of delicate handblown glass, the stone becomes a moonscape afloat in its own cosmos. The light source casts its glow upward from the onyx base to energize the meandering chalcedony veins in the centre onyx plate and create a subtle and mesmerizing lighting effect. The concept is based on the principle of illuminating stone, and the name refers to the light's similarity in shape to the famed French meringue confection. Natural imperfections in the glass and the diversity of structures in the stone make

each light a unique original. The purity of the natural materials and the artisanship applied in processing them have given rise to a light of extraordinary ambience. Produced using traditional techniques, Macaron is characteristic of the distinctive and enduring aesthetic of the BROKIS brand. Macaron comes in three sizes – the largest of which also makes an attractive floor light – and in several glass colour options with either white or honey onyx. The collection offers an alternate version featuring a centre plate made of BROKISGLASS in combination with a wooden base.

DESIGN

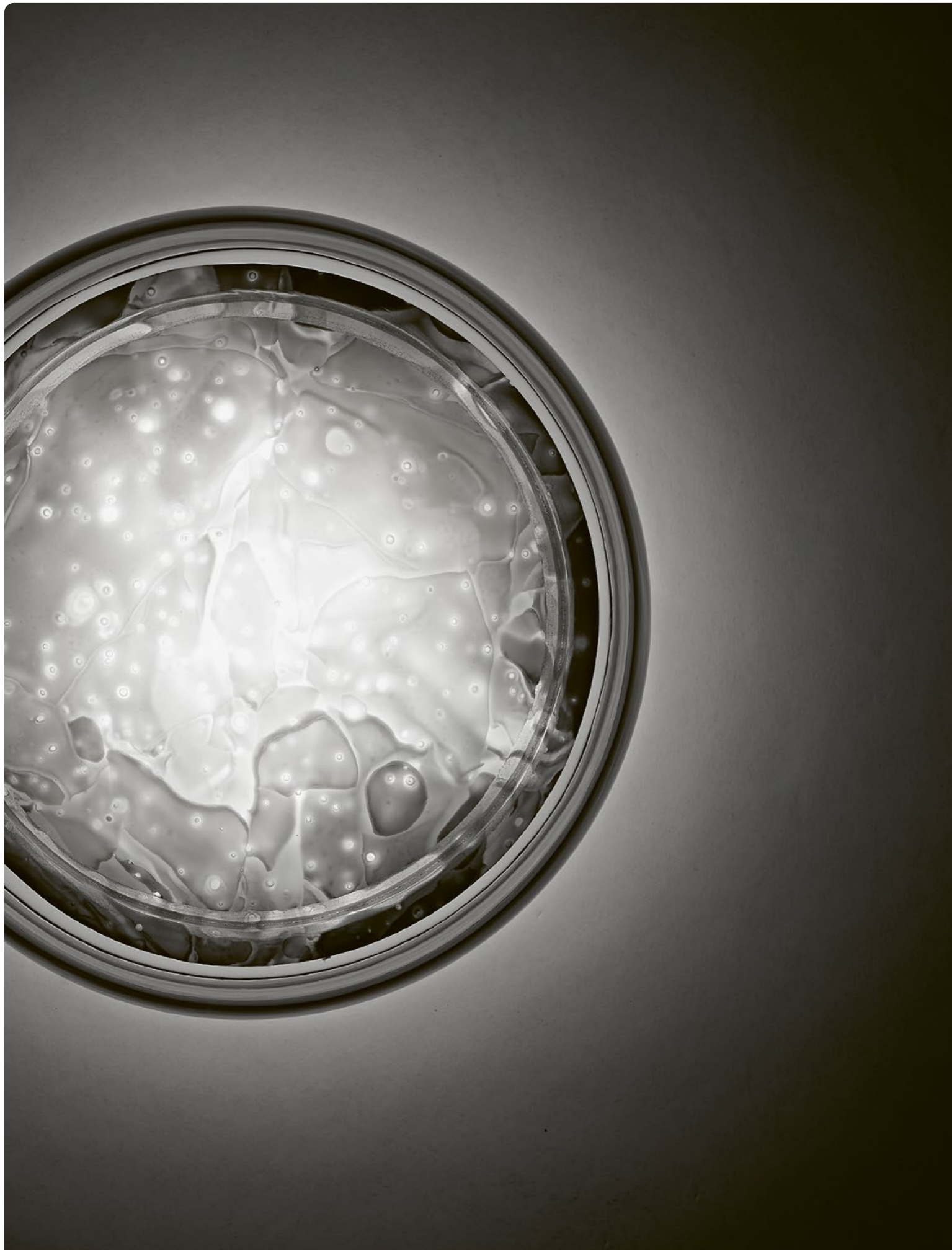
LUCIE KOLDOVA













# JACK

# O'LAN LANTERN

Light as a jewel of the home. A functional object in aesthetic elation, a sentinel of the evening and the night. The subtle levitating metal frame bears good tidings and a luminous pearl in the form of a handblown matte sphere. With inspiration taken from the carved pumpkin, Lucie Koldova's concept shows the way and becomes a building block in the house of light, beckoning passers-by to enter. This subtle and geometrically balanced light offers a wide variety of combinations. It can be hung separately or in vertical

DESIGN

lighting arrangements. In addition to the suspension variant, there is also a wall composition comprising five frames joined in a single module for up to five glass spheres, which rely on nothing more than gravity to stay in place. The table version combines the beauty of handblown acid-etched glass in smoke grey, light pink, or triplex opal with a metal frame and marble base. Sizes and versions: Wall (small), Pendant and Table (small and large).

LUCIE KOLDOVA



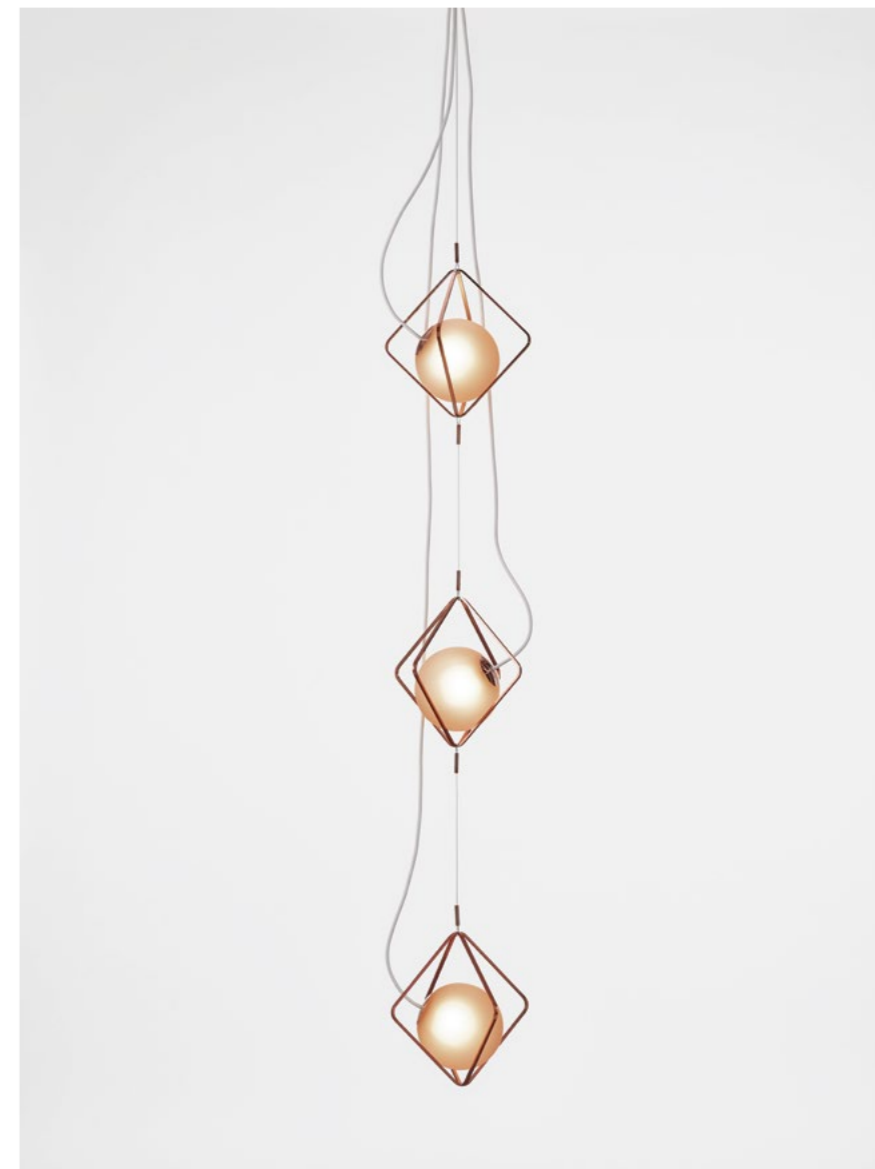












This large-format light with a matte core by designer Lucie Koldova embodies a gentle poetry, simplicity, purity, and balanced proportions. A key role is played by the inoculation of luminous bodies and their mutual interaction in space.  
The sophisticated design of a bubble suspended in the centre of a large sphere evokes a sense of

levitation. The outer glass is available in either transparent or smoke grey transparent with gloss finish; the inner glass in matte triplex opal, smoke grey transparent, red transparent, or light pink transparent. Big One lights come in two sizes.

DESIGN

LUCIE KOLDOVA



# BIG ONE









# IWY



Nature and its life-giving beauty and strength are the inspiration behind the unique lighting concept called Ivy. Just as the plant grows and climbs up the wall of a house, so too can Ivy expand into a variety of compositions. The collection features a special system of modular components for a highly innovative take on decorative lighting in both vertical and horizontal installations.

The collection comprises metal components in combination with handblown glass. Branches come in five basic sizes, while there are three sizes of shades in

matte light rose, triplex opal, or smoke glass. The collection also offers an impressive floor light and intimate table lights. Elegant and precise in craftsmanship all the way down to the smallest detail, Ivy is a high-tech lighting concept ideally suited to project and residential applications. In household settings, for example, a single graceful branch can be hung above a dining table, or multiple branches can be used to create a curtain of light. The organic Ivy collection has many forms and rightfully holds its place in the realm of artistic, bespoke lighting solutions.

DESIGN

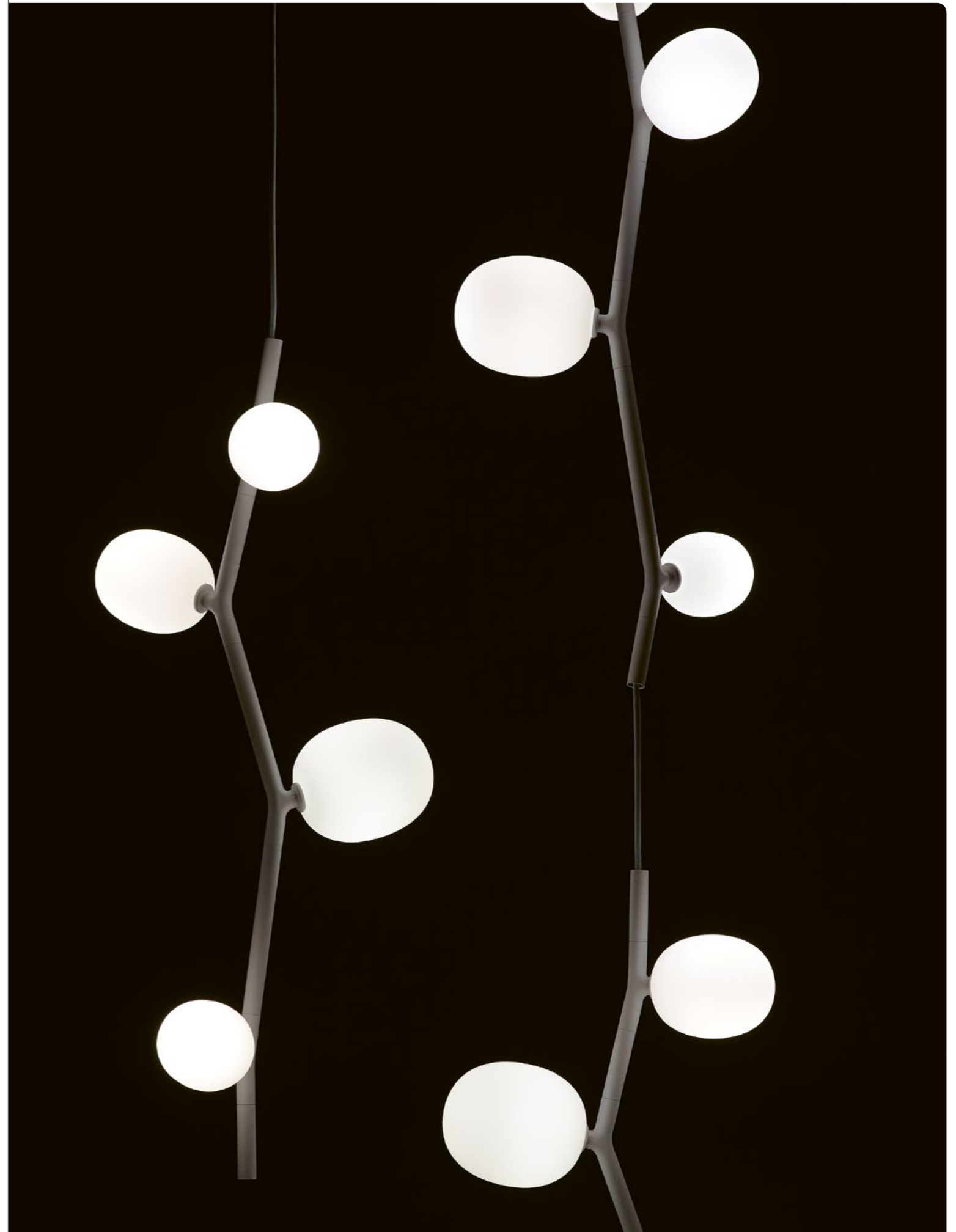
LUCIE KOLDOVA















# AWWA



In Japanese, the word “awa” is used to describe a bubble of air trapped within a liquid. The design of this delicate light was inspired by the notion of soft glass that has retained its shape after being inflated. The aim is to give the impression of a luminous ball of air floating

**DESIGN**

gently in space when viewed from below. Another special characteristic of the design is that the wood and metal parts appear to be made of glass, as if they were stoppers keeping the air from escaping.

**FUMIE SHIBATA**











# BONBORI



The new Bonbori collection, which was created by world-renowned Japanese designer Fumie Shibata, is available in indoor and outdoor variants. The light is inspired by the traditional paper lamps that line the paths to shrines and temples during the annual paddy harvest festivals in Japan. In Japanese, the word “bonbori” not only denotes this traditional form of lighting, it also describes the soft light coming from within a snowy cave.

DESIGN

The gentle light of Bonbori pays tribute to a traditional Japanese lantern. Its skilfully crafted handblown glass and soft luminescence create a magical and festive ambience to be enjoyed as thoroughly in solitude as with family and friends. The new indoor light features special connectors developed by BROKIS that make it easy to unplug and move outside to a covered exterior space, for instance.

FUMIE SHIBATA









A sphere as a universal shape, yet whose upper section has been dramatically severed. The clean cut comprises the main characteristic of the project light Sfera – a timeless piece that casts a soft light from within handblown matte triplex opal glass. The sphere, affixed to a metal top with a subtle multiangular detail, comes in seven sizes for multiple combinations, thanks to which the collection can be easily configured to meet the specific needs of any architectural or residential project.

**DESIGN**

The Sfera collection features innovative connectors specially developed by BROKIS, which allow for easy installation, maintenance, and cleaning. They also make it possible to rearrange an installation without having to access building wiring, opening the door to a wide range of possibilities.

**LUCIE KOLDOVA**



# SFERA











Geometric accentuates the aesthetic expression and structure of BROKISGLASS, which itself is remarkably distinctive. The collection is defined by basic geometric shapes that characterize the overall contours of the lights and instil them with a singular graphic element to achieve a striking contrast with the animate, almost sculptural makeup of the glass. The suspension components comprise basic geometric shapes, their edges rendered in black profiles.

## DESIGN

The circular and oval lights work well as solitary pieces, and multiples can also be arranged in a sort of jigsaw puzzle, which in the hands of architects results in an endless variety of lighting combinations. The concept surpasses its primary function as a lighting fixture and opens the door to large-format blocks of light and other uncommon compositions. For even more expressive freedom and a truly bespoke lighting experience, clients can specify a different colour of glass in each of the two sections of a light.

**BORIS KLIMEK, LENKA DAMOVÁ**



# GEOMETRIC











The Planets collection is based on period lights and reflects the daily needs not only of customers but of architects and designers too. Thanks to a simple physical principle, the lights can be variably positioned in diverse arrangements. The use of weights and pulleys makes it possible to quickly adjust the height of the lights, a unique system that allows for several groupings to serve as individual sources of light in an interior, or as multiples of three different (or same) shapes to illuminate larger spaces. The counterweight is precisely calibrated to the specific weight of the light, so adjusting it is safe and easy. A round LED panel is situated beneath a shade

of matte glass, which conceals the internal parts and thus preserves the silhouette of the light. The metal components also come in a matte finish and are combined with a textile cord for a uniform look. The colour scheme is always monochromatic to underline the graphic character of the lights, and the glass shades are rendered in elementary geometric shapes – sphere, cone, and capsule. The Planets collection stands out with its remarkable versatility, offering a broader dimension in interior lighting with installations ranging from a single light to vast clouds of up to twelve lights.

## DESIGN

## VRTIŠKA & ŽÁK



# PLANETS











**EXTERIOR  
LIGHTS**



# BONBORI OUTDOOR

The very first outdoor lighting collection in the BROKIS portfolio, Bonbori was created by world-renowned Japanese designer Fumie Shibata, who took inspiration from the traditional paper lamps that line the paths to shrines and temples during the annual paddy harvest festivals in Japan. In Japanese, the word “bonbori” not only denotes this traditional form of lighting, it also describes the soft light coming from within a snowy cave. Manufactured in compliance with the IP44 rating for outdoor use, the light makes use of a simple stainless-steel base finished in an environmentally friendly weather-resistant powder coating. The easily removable

DESIGN

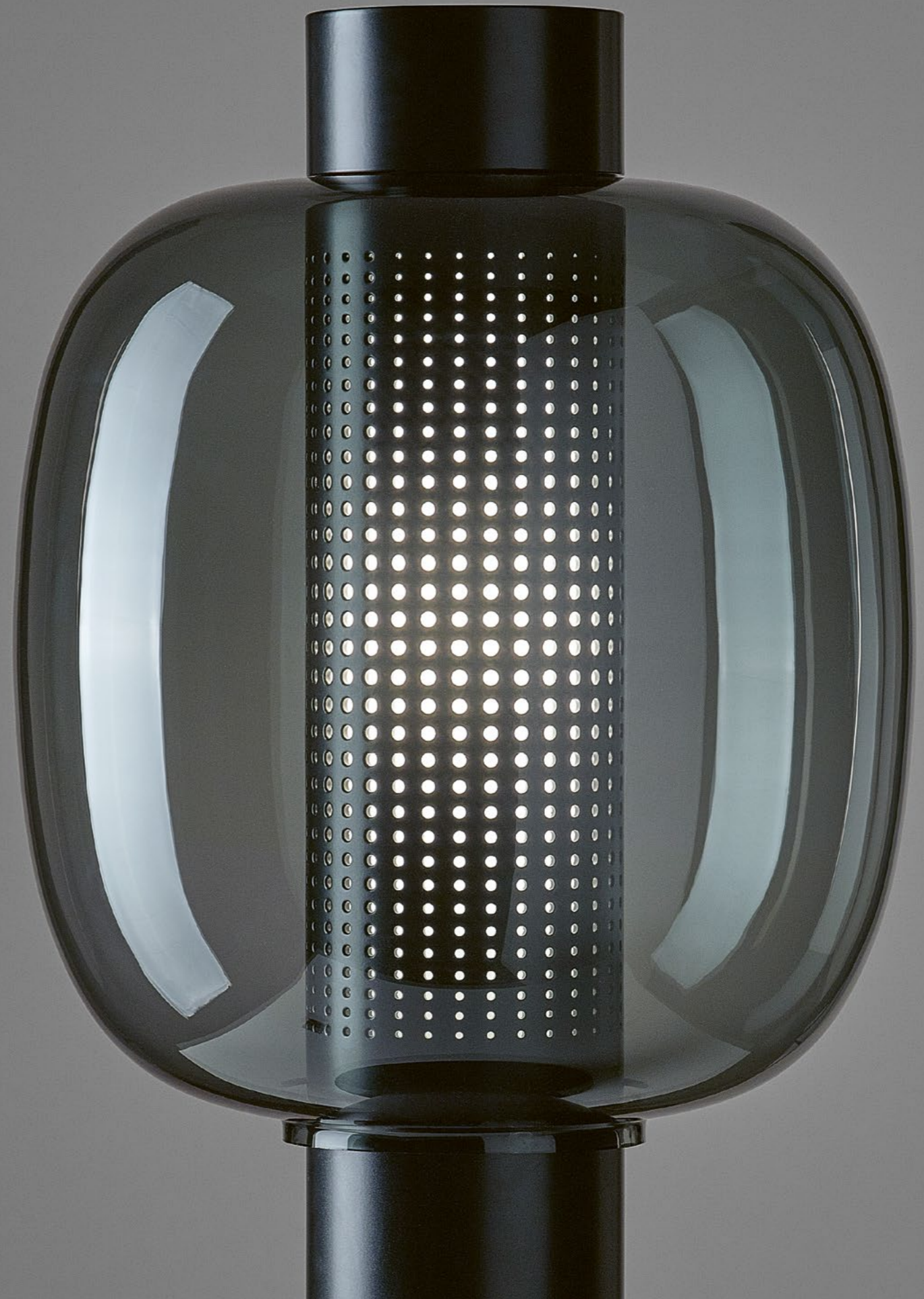
LED light source, which can withstand below-freezing temperatures, casts a gentle glow through a diffuser and laser-cut openings in the stainless steel. The likeness to the traditional bonbori lamp is achieved with an elegant handblown glass shade, an extraordinary piece crafted from multiple layers of carefully moulded glass. Whether in the garden, on the terrace, or in other outdoor settings, the soft, gentle light of Bonbori pays tribute to a Japanese tradition by creating a unique and festive ambience to be enjoyed as thoroughly in solitude as with family and friends.

FUMIE SHIBATA









Now the iconic Shadows collection by Lucie Koldova and Dan Yeffet is ready to illuminate exterior settings. Shadows is a take on the famed, timeless lights found in French ateliers, and its typology pays tribute to that legacy. Identical in appearance to the original Shadows, the new collection complies with the IP54 rating for exterior use: the handmade wooden body used in the indoor lights has been replaced with a two-piece weatherproof dural body, its subtle form and finish

accentuated by a recessed LED light source. Special integrated connectors developed by BROKIS make it easy to install the lights in large sets as well as maintain and clean them. The lights can be arranged in diverse compositions based on the needs of the customer or used as solitary exterior lighting elements. The combination of handblown glass and classic shapes has given rise to lighting of unageing elegance whose singular ambience is no longer restricted to the interior.

DESIGN

LUCIE KOLDOVA, DAN YEFFET



# SHADOWS

# EXTERIOR











# NIGHT BIRDS EXTERIOR

The Night Birds collection by Boris Klimek is now available in a version suitable for exterior use. Night Birds Exterior are identical to the original indoor collection, which was inspired by the freedom and abandon of bird flight. In order to withstand the whims of the weather, the lights have been modified to comply with the IP54 rating for exterior use, namely by enlarging and weatherproofing the positionable hand-polished dural fixture, which conceals a sophisticated

balancing mechanism and the subtle LED light source. The bigger, more robust metal fixture also allows for a greater selection of light sources. Like the original Night Birds collection, Night Birds Exterior offers three different lights, each with a different wing position, which come in either white or dark (nearly black) variants. From now on, Night Birds are as at home in the elements or the dark of night as they are in the comfort of the indoors.

DESIGN

BORIS KLIMEK







**BATTERY-POWERED  
LIGHTS**

# KNOT BATTERY



Knot, a collection of stately pendent lights that appose two dramatically dissimilar materials, has now been expanded with a portable outdoor variant. The original Knot collection features full-bodied globes of varying shapes and sizes penetrated by robust cords that seemingly pull the glass inward for a bemusing plastic effect. Knot Table Battery provides the perfect anchor for the lofty pendants in this collection typified by its use of strikingly disparate materials. The LED light source is cradled in a handsome bottom piece, which, like the cord end cap, is fashioned from refined metal.

DESIGN

Knot Table Battery is IP44 compliant for outdoor use, thus its charm is not confined to only the interior. Charging is by means of a convenient magnetic connector in the lower part of the light. Knot Table Battery is a sophisticated and flexible light that provides up to six hours of use on a single charge, which makes it ideal not only for lighting outdoor spaces but also enhancing existing lighting. Thanks to its portability, Knot Table Battery is well suited to daily use and for adding a special touch to social events.

CHIARAMONTE MARIN







Ivy Table Battery by Lucie Koldova is the latest addition to the already substantial Ivy family, which is inspired by nature and its life-giving beauty. The new battery-powered table version is somewhat smaller than the original Ivy Table, which makes it easy to move from one place to another and create unique lighting experiences anywhere, anytime. Although it is not protected from direct contact with water, its portability and robust build quality make it suitable for use in outdoor settings. Ivy Table Battery is touch operated and has

three brightness settings for just the right amount of light at a given moment. The lithium battery pack powers the light for up to six hours, and charging is by means of induction or a USB connector. The collection comprises a metal frame and handblown glass shades in matte light rose, triplex opal, or smoke grey. The new Ivy Table Battery represents a graceful and flexible lighting object for restaurants and hotels, where it can be unrestrainedly combined in luminous landscapes that change in step with the space around them.

DESIGN

LUCIE KOLDOVA

# IVY BATTERY







**ACCESSORIES**



# MUFFINS CANDLEHOLDER

Muffins Candleholder is a captivating experience. With its subtle lines in glass, solid wood base, and masterful craftsmanship, not only will the Muffins Candleholder reveal something of your sense for

DESIGN

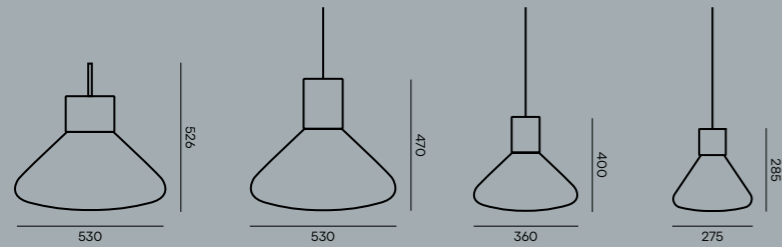
detail and exquisite design, but it will also lend your room a festive air any time of the day or night. The Muffins Candleholder is part of the iconic Muffins lighting collection, an emblem of the BROKIS brand.

LUCIE KOLDOVA, DAN YEFFET

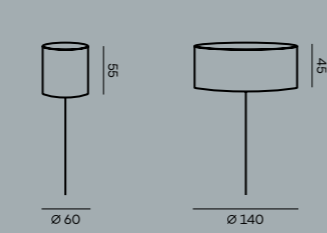




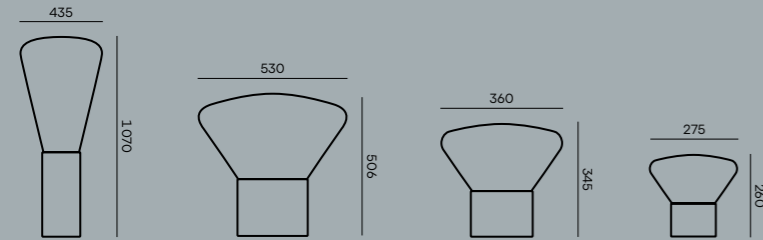




PC852 PC851 PC865 PC986



Canopy for PC851, PC865, PC986  
Optional on request



PC853 PC850 PC849 PC910

cover page | PH1609

**PC849 (CGC516, CGSU66, CCS2740, CECL519, CEB784)**

GLASS COLOUR: smoke grey – transparent glass  
GLASS SURFACE: glossy surface  
BODY FINISH: satinated grigio talami marble  
CABLE COLOUR: textile cable – black  
RECOMMENDED BULBS: 230V, LED, E27, 6W, 2200K, 350lm, RA90, 360°, DIM

**PC850 (CGC2752, CGSU66, CCS2742, CECL519, CEB784)**

GLASS COLOUR: sunset pink – transparent glass  
GLASS SURFACE: glossy surface  
BODY FINISH: satinated rosso francia marble  
CABLE COLOUR: textile cable – black  
RECOMMENDED BULBS: 230V, LED, E27, 6W, 2200K, 350lm, RA90, 360°, DIM

p. 19 | PH5328

**PC849 (CGC2753, CGSU66, CCS2765, CECL519, CEB784)**

GLASS COLOUR: aubergine – transparent glass  
GLASS SURFACE: glossy surface  
BODY FINISH: high gloss – conservative grey  
CABLE COLOUR: textile cable – black  
RECOMMENDED BULBS: 230V, LED, E27, 6W, 2200K, 350lm, RA90, 360°, DIM

**PC850 (CGC516, CGSU66, CCS2764, CECL519, CEB784)**

GLASS COLOUR: smoke grey – transparent glass  
GLASS SURFACE: glossy surface  
BODY FINISH: high gloss – cheeky raspberry  
CABLE COLOUR: textile cable – black  
RECOMMENDED BULBS: 230V, LED, E27, 6W, 2200K, 350lm, RA90, 360°, DIM

p. 20—21 | PH956

**PC910 (CGC23, CGSU66, CCS757, CECL519, CEB781)**

GLASS COLOUR: transparent glass  
GLASS SURFACE: glossy surface  
BODY FINISH: American walnut – natural waxed  
CABLE COLOUR: textile cable – black  
RECOMMENDED BULBS: 230V, LED, E14, 4.7W, 2200K, 280lm, RA90, 360°, DIM

**PC865 (CGC23, CGSU66, CCS757, CCSC842, CECL519, CEB784)**

GLASS COLOUR: transparent glass  
GLASS SURFACE: glossy surface  
BODY FINISH: American walnut – natural waxed, CANOPY FINISH: American walnut – natural waxed  
CABLE COLOUR: textile cable – black  
RECOMMENDED BULBS: 230V, LED, E27, 6W, 2200K, 350lm, RA90, 360°, DIM

**PC849—PC852 (CGC23, CGSU66, CCS757, CECL519, CEB784)**

GLASS COLOUR: transparent glass  
GLASS SURFACE: glossy surface  
BODY FINISH: American walnut – natural waxed  
CABLE COLOUR: textile cable – black  
RECOMMENDED BULBS: 230V, LED, E27, 6W, 2200K, 350lm, RA90, 360°, DIM

**PC849—PC853—PC850**

**(CGC516, CGSU66, CCS757, CECL519, CEB784)**

GLASS COLOUR: smoke grey – transparent glass  
GLASS SURFACE: glossy surface  
BODY FINISH: American walnut – natural waxed  
CABLE COLOUR: textile cable – black  
RECOMMENDED BULBS: 230V, LED, E27, 6W, 2200K, 350lm, RA90, 360°, DIM

**PC851 (CGC516, CGSU66, CCS757, CCSC842, CECL519, CEB784)**

GLASS COLOUR: smoke grey – transparent glass  
GLASS SURFACE: glossy surface  
BODY FINISH: American walnut – natural waxed, CANOPY FINISH: American walnut – natural waxed  
CABLE COLOUR: textile cable – black  
RECOMMENDED BULBS: 230V, LED, E27, 6W, 2200K, 350lm, RA90, 360°, DIM

p. 22 | PH1361

**PC910 (CGC516, CGSU66, CCS757, CECL519, CEB781)**

GLASS COLOUR: smoke grey – transparent glass  
GLASS SURFACE: glossy surface  
BODY FINISH: American walnut – natural waxed  
CABLE COLOUR: textile cable – black  
RECOMMENDED BULBS: 230V, LED, E14, 4.7W, 2200K, 280lm, RA90, 360°, DIM

**PC850—PC853 (CGC516, CGSU66, CCS592, CECL519, CEB784)**

GLASS COLOUR: smoke grey – transparent glass  
GLASS SURFACE: glossy surface  
BODY FINISH: European oak – stained black  
CABLE COLOUR: textile cable – black  
RECOMMENDED BULBS: 230V, LED, E27, 6W, 2200K, 350lm, RA90, 360°, DIM

p. 23 | PH943

**PC849—PC850 (CGC516, CGSU66, CCS518, CECL520, CEB784)**

GLASS COLOUR: smoke grey – transparent glass  
GLASS SURFACE: glossy surface  
BODY FINISH: European oak – natural waxed  
CABLE COLOUR: textile cable – dark grey  
RECOMMENDED BULBS: 230V, LED, E27, 6W, 2200K, 350lm, RA90, 360°, DIM

**PC910 (CGC516, CGSU66, CCS518, CECL520, CEB781)**

GLASS COLOUR: smoke grey – transparent glass  
GLASS SURFACE: glossy surface  
BODY FINISH: European oak – natural waxed  
CABLE COLOUR: textile cable – dark grey  
RECOMMENDED BULBS: 230V, LED, E14, 4.7W, 2200K, 280lm, RA90, 360°, DIM

p. 24—25 | PH946

**PC852 (CGC516, CGSU66, CCS680, CECL521, CEB784)**

GLASS COLOUR: smoke grey – transparent glass  
GLASS SURFACE: glossy surface  
BODY FINISH: European oak – stained white  
CABLE COLOUR: textile cable – white  
RECOMMENDED BULBS: 230V, LED, E27, 6W, 2200K, 350lm, RA90, 360°, DIM

**PC910 (CGC38, CGSU66, CCS680, CECL521, CEB781)**

GLASS COLOUR: opaline – transparent glass  
GLASS SURFACE: glossy surface  
BODY FINISH: European oak – stained white  
CABLE COLOUR: textile cable – white  
RECOMMENDED BULBS: 230V, LED, E14, 4.7W, 2200K, 280lm, RA90, 360°, DIM

p. 24—25 | PH946

**PC849 (CGC39, CGSU66, CCS680, CECL521, CEB784)**

GLASS COLOUR: triplex opal  
GLASS SURFACE: glossy surface  
BODY FINISH: European oak – stained white  
CABLE COLOUR: textile cable – white  
RECOMMENDED BULBS: 230V, LED, E27, 6W, 2200K, 350lm, RA90, 360°, DIM

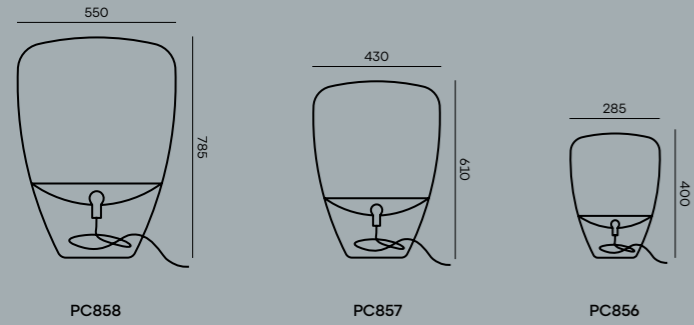
**PC849—PC853 (CGC23, CGSU66, CCS680, CECL521, CEB784)**

GLASS COLOUR: transparent glass  
GLASS SURFACE: glossy surface  
BODY FINISH: European oak – stained white  
CABLE COLOUR: textile cable – white  
RECOMMENDED BULBS: 230V, LED, E27, 6W, 2200K, 350lm, RA90, 360°, DIM

**PC850 (CGC38, CGSU66, CCS680, CECL521, CEB784)**

GLASS COLOUR: opaline – transparent glass  
GLASS SURFACE: glossy surface  
BODY FINISH: European oak – stained white  
CABLE COLOUR: textile cable – white  
RECOMMENDED BULBS: 230V, LED, E27, 6W, 2200K, 350lm, RA90, 360°, DIM





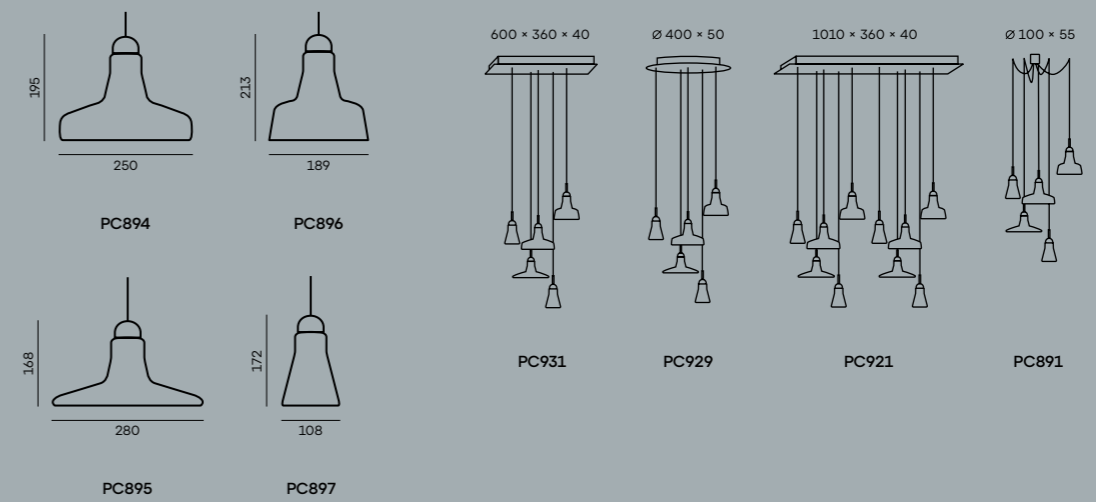
p. 27 | PH21  
**PC856 (CGC538, CGSU66, CCS69, CECL519, CEB925)**  
 GLASS COLOUR: smoke brown – transparent glass  
 GLASS SURFACE: glossy surface  
 BODY FINISH: brass  
 CABLE COLOUR: textile cable – black  
 RECOMMENDED BULBS: 230V, LED, E14, 4.7W, 2200K, 280lm, RA90, 360°, DIM

p. 28—29 | PH680  
**PC856 (CGC516, CGSU66, CCS960, CECL519, CEB925)**  
 GLASS COLOUR: smoke grey – transparent glass  
 GLASS SURFACE: glossy surface  
 BODY FINISH: chrome brushed  
 CABLE COLOUR: textile cable – black  
 RECOMMENDED BULBS: 230V, LED, E14, 4.7W, 2200K, 280lm, RA90, 360°, DIM  
**PC856 (CGC538, CGSU66, CCS69, CECL519, CEB925)**  
 GLASS COLOUR: smoke brown – transparent glass  
 GLASS SURFACE: glossy surface  
 BODY FINISH: brass  
 CABLE COLOUR: textile cable – black  
 RECOMMENDED BULBS: 230V, LED, E14, 4.7W, 2200K, 280lm, RA90, 360°, DIM  
**PC856 (CGC23, CGSU66, CCS275, CECL519, CEB925)**  
 GLASS COLOUR: transparent glass  
 GLASS SURFACE: glossy surface  
 BODY FINISH: chrome  
 CABLE COLOUR: textile cable – black  
 RECOMMENDED BULBS: 230V, LED, E14, 4.7W, 2200K, 280lm, RA90, 360°, DIM

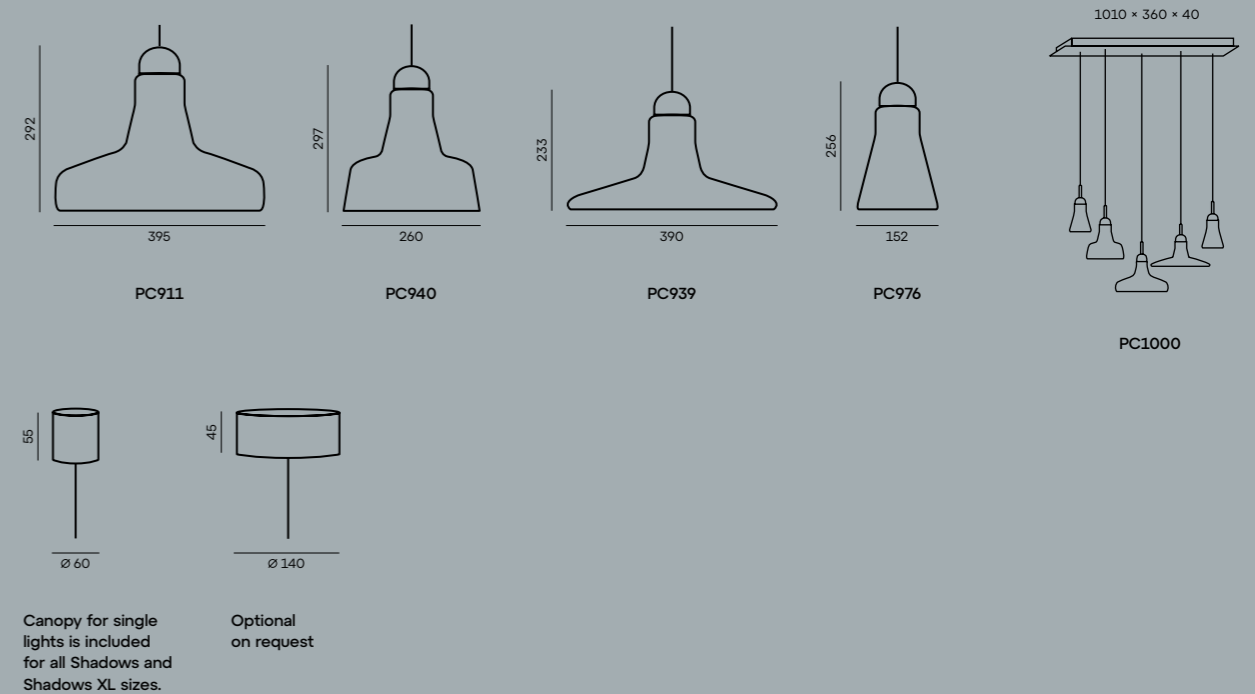
p. 30 | PH689  
**PC856 (CGC23, CGSU66, CCS584, CECL519, CEB925)**  
 GLASS COLOUR: transparent glass  
 GLASS SURFACE: glossy surface  
 BODY FINISH: copper  
 CABLE COLOUR: textile cable – black  
 RECOMMENDED BULBS: 230V, LED, E14, 4.7W, 2200K, 280lm, RA90, 360°, DIM  
**PC857 (CGC23, CGSU66, CCS584, CECL519, CEB782)**  
 GLASS COLOUR: transparent glass  
 GLASS SURFACE: glossy surface  
 BODY FINISH: copper  
 CABLE COLOUR: textile cable – black  
 RECOMMENDED BULBS: 230V, LED, E27, 6W, 2200K, 400lm, RA90, 360°, DIM

p. 31 | PH691  
**2xPC856 (CGC23, CGSU66, CCS584, CECL519, CEB925)**  
 GLASS COLOUR: transparent glass  
 GLASS SURFACE: glossy surface  
 BODY FINISH: copper  
 CABLE COLOUR: textile cable – black  
 RECOMMENDED BULBS: 230V, LED, E14, 4.7W, 2200K, 280lm, RA90, 360°, DIM  
**PC858 (CGC23, CGSU66, CCS584, CECL519, CEB782)**  
 GLASS COLOUR: transparent glass  
 GLASS SURFACE: glossy surface  
 BODY FINISH: copper  
 CABLE COLOUR: textile cable – black  
 RECOMMENDED BULBS: 230V, LED, E27, 6W, 2200K, 400lm, RA90, 360°, DIM

p. 32—33 | PH1179  
**PC856 (CGC516, CGSU66, CCS582, CECL519, CEB925)**  
 GLASS COLOUR: smoke grey – transparent glass  
 GLASS SURFACE: glossy surface  
 BODY FINISH: black  
 CABLE COLOUR: textile cable – black  
 RECOMMENDED BULBS: 230V, LED, E14, 4.7W, 2200K, 280lm, RA90, 360°, DIM  
**PC858 (CGC516, CGSU66, CCS584, CECL519, CEB782)**  
 GLASS COLOUR: smoke grey – transparent glass  
 GLASS SURFACE: glossy surface  
 BODY FINISH: copper  
 CABLE COLOUR: textile cable – black  
 RECOMMENDED BULBS: 230V, LED, E27, 6W, 2200K, 400lm, RA90, 360°, DIM  
**PC856 (CGC516, CGSU66, CCS582, CECL519, CEB925)**  
 GLASS COLOUR: smoke grey – transparent glass  
 GLASS SURFACE: glossy surface  
 BODY FINISH: copper  
 CABLE COLOUR: textile cable – black  
 RECOMMENDED BULBS: 230V, LED, E14, 4.7W, 2200K, 280lm, RA90, 360°, DIM  
**PC857 (CGC516, CGSU66, CCS582, CECL519, CEB782)**  
 GLASS COLOUR: smoke grey – transparent glass  
 GLASS SURFACE: glossy surface  
 BODY FINISH: black  
 CABLE COLOUR: textile cable – black  
 RECOMMENDED BULBS: 230V, LED, E27, 6W, 2200K, 400lm, RA90, 360°, DIM



SHADOWS XL



Canopy for single lights is included for all Shadows and Shadows XL sizes.

Optional on request

p. 35 | PH1620

**PC891 (CCSC839)**

CANOPY FINISH: European oak – stained black

**2×PC897—PC894—PC895—PC896 (CGC516, CGSU66, CCS592, CECL519, CEB373)**

GLASS COLOUR: smoke grey – transparent glass

GLASS SURFACE: glossy surface

BODY FINISH: European oak – stained black

CABLE COLOUR: textile cable – black

RECOMMENDED BULBS: 230V, GU10, 5W, 2700K, 336lm, RA90, 60°, DIM

p. 36 | PH1367

**PC894—PC896—PC895—PC897****(CGC602, CGSU67, CCS592, CCSC839, CECL519, CEB373)**

GLASS COLOUR: black – transparent glass

GLASS SURFACE: acid-etched outside surface

BODY FINISH: European oak – stained black

CANOPY FINISH: European oak – stained black

CABLE COLOUR: textile cable – black

RECOMMENDED BULBS: 230V, GU10, 5W, 2700K, 336lm, RA90, 60°, DIM

p. 37 | PH1369

**PC897—PC894—PC896—PC895****(CGC602, CGSU66, CCS592, CECL519, CEB373)**

GLASS COLOUR: black – transparent glass

GLASS SURFACE: glossy surface

BODY FINISH: European oak – stained black

CABLE COLOUR: textile cable – black

RECOMMENDED BULBS: 230V, GU10, 5W, 2700K, 336lm, RA90, 60°, DIM

p. 38 | PH1071

**PC929 (CCSC618)**

CANOPY FINISH: metal – white matte

powder coating

**PC895—2×PC897—PC896—PC894****(CGC38, CGSU66, CCS657, CECL521, CEB373)**

GLASS COLOUR: opaline – transparent glass

GLASS SURFACE: glossy surface

BODY FINISH: European oak – untreated

CABLE COLOUR: textile cable – white

RECOMMENDED BULBS: 230V, GU10, 5W, 2700K, 336lm, RA90, 60°, DIM

p. 39 | PH6861

**2×PC895—PC894—PC896—PC897****(CGC38, CGSU66, CCS518, CCSC841, CECL521, CEB373)**

GLASS COLOUR: opaline – transparent glass

GLASS SURFACE: glossy surface

BODY FINISH: European oak – natural waxed

CANOPY FINISH: European oak – natural waxed

CABLE COLOUR: textile cable – white

RECOMMENDED BULBS: 230V, GU10, 5W, 2700K, 336lm, RA90, 60°, DIM

p. 40 | PH1645

**PC911 (CGC516, CGSU66, CCS592,****CCSC839, CECL519, CEB621)**

GLASS COLOUR: smoke grey – transparent glass

GLASS SURFACE: glossy surface

BODY FINISH: European oak – stained black

CANOPY FINISH: European oak – stained black

CABLE COLOUR: textile cable – black

RECOMMENDED BULBS: 230V, E27, 13W, 2700K, 700lm, RA90, 60°, DIM

p. 41 | PH1637

**PC921 (CCSC619)**

CANOPY FINISH: metal – black matte

powder coating

**PC894—PC895—PC896—PC897****(CGC602, CGSU66, CCS592, CECL519, CEB373)**

GLASS COLOUR: black – transparent glass

GLASS SURFACE: glossy surface

BODY FINISH: European oak – stained black

CABLE COLOUR: textile cable – black

RECOMMENDED BULBS: 230V, GU10, 5W, 2700K, 336lm, RA90, 60°, DIM

p. 42—43 | PH1074

**PC894—PC895—PC896—PC897****(CGC516, CGSU66, CCS592, CCSC839, CECL519, CEB373)**

GLASS COLOUR: smoke grey – transparent glass

GLASS SURFACE: glossy surface

BODY FINISH: European oak – stained black

CANOPY FINISH: European oak – stained black

CABLE COLOUR: textile cable – black

RECOMMENDED BULBS: 230V, GU10, 5W, 2700K, 336lm, RA90, 60°, DIM

**PC911—PC939—PC940—PC976****(CGC516, CGSU66, CCS592, CCSC839, CECL519, CEB621)**

GLASS COLOUR: smoke grey – transparent glass

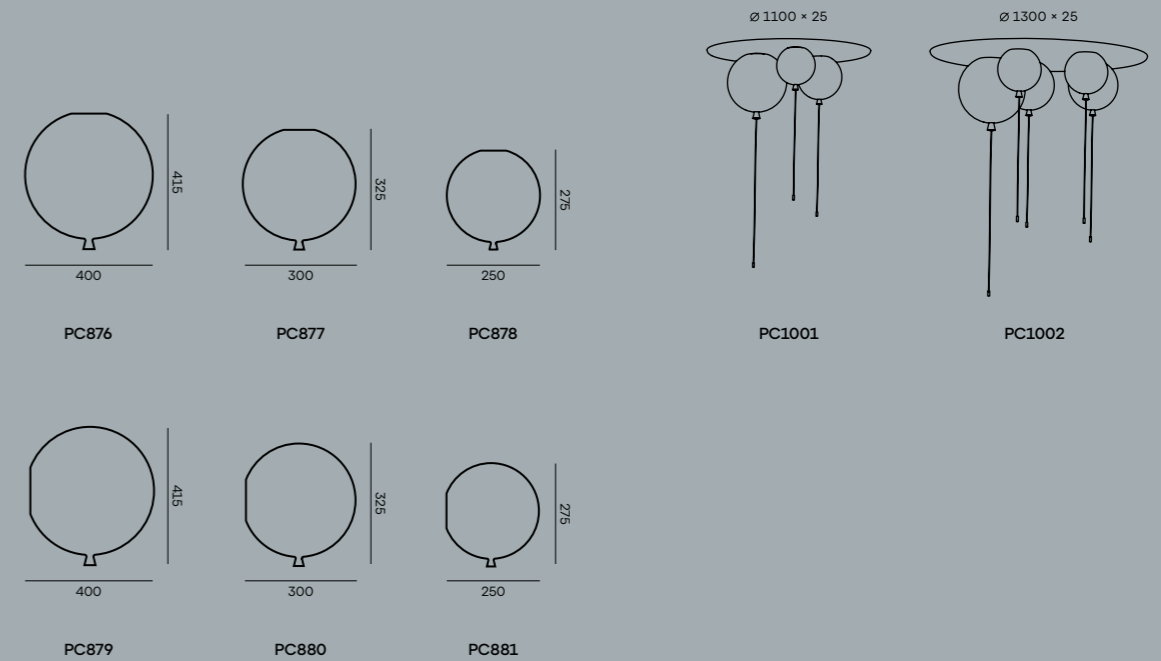
GLASS SURFACE: glossy surface

BODY FINISH: European oak – stained black

CANOPY FINISH: European oak – stained black

CABLE COLOUR: textile cable – black

RECOMMENDED BULBS: 230V, E27, 13W, 2700K, 700lm, RA90, 60°, DIM



p. 45 | PH896

**PC878 (CGC39, CGSU881, CCS620, CEE778)**

GLASS COLOUR: triplex opal

GLASS SURFACE: acid-etched both side surface

BODY FINISH: iron chromate – silver

END CAPS: light switch – black

**PC878 (CGC30, CGSU881, CCS620, CEE778)**

GLASS COLOUR: light pink – triplex opal

GLASS SURFACE: acid-etched both side surface

BODY FINISH: iron chromate – silver

END CAPS: light switch – black

**PC878 (CGC617, CGSU881, CCS620, CEE778)**

GLASS COLOUR: grey – triplex opal

GLASS SURFACE: acid-etched both side surface

BODY FINISH: iron chromate – silver

END CAPS: light switch – black

p. 46 | PH1350

**PC876 (CGC39, CGSU881, CCS620, CEE777)**

GLASS COLOUR: triplex opal

GLASS SURFACE: acid-etched both side surface

BODY FINISH: iron chromate – silver

END CAPS: light switch – white

p. 47 | PH6553

**PC878 (CGC617, CGSU881, CCS620, CEE777)**

GLASS COLOUR: grey – triplex opal

GLASS SURFACE: acid-etched both side surface

BODY FINISH: iron chromate – silver

END CAPS: light switch – white

p. 48—49 | PH1348

**PC877—PC878****(CGC39, CGSU66, CCS620, CEE777)**

GLASS COLOUR: triplex opal

GLASS SURFACE: glossy surface

BODY FINISH: iron chromate – silver

END CAPS: light switch – white

**PC878—PC876****(CGC47, CGSU66, CCS620, CEE777)**

GLASS COLOUR: yellow – triplex opal

GLASS SURFACE: glossy surface

BODY FINISH: iron chromate – silver

END CAPS: light switch – white

**PC876—PC877****(CGC617, CGSU66, CCS620, CEE777)**

GLASS COLOUR: grey – triplex opal

GLASS SURFACE: glossy surface

BODY FINISH: iron chromate – silver

END CAPS: light switch – white

p. 50 | PH1349

**PC881 (CGC30, CGSU66, CCS620, CEE777)**

GLASS COLOUR: light pink – triplex opal

GLASS SURFACE: glossy surface

BODY FINISH: iron chromate – silver

END CAPS: light switch – white

**PC879—PC881****(CGC580, CGSU66, CCS620, CEE777)**

GLASS COLOUR: orange – triplex opal

GLASS SURFACE: glossy surface

BODY FINISH: iron chromate – silver

END CAPS: light switch – white

p. 51 | PH899

**PC1002 (CCSC887)**

CANOPY FINISH: MDF canopy – white

**PC876 (CGC617, CGSU66, CCS620, CEE778)**

GLASS COLOUR: grey – triplex opal

GLASS SURFACE: glossy surface

BODY FINISH: iron chromate – silver

END CAPS: light switch – black

**PC877—2×PC878****(CGC39, CGSU66, CCS620, CEE778)**

GLASS COLOUR: triplex opal

GLASS SURFACE: glossy surface

BODY FINISH: iron chromate – silver

END CAPS: light switch – black

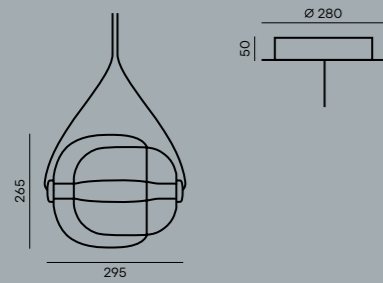
**PC877 (CGC580, CGSU66, CCS620, CEE778)**

GLASS COLOUR: orange – triplex opal

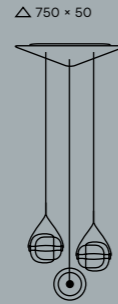
GLASS SURFACE: glossy surface

BODY FINISH: iron chromate – silver

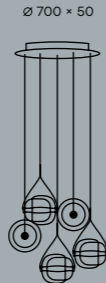
END CAPS: light switch – black



PC937



PC943



PC966

p. 53 | PH1240

**PC937 (CGC23, CGSU66, CGCI685, CGSUI905, CCS1948, CCSC619, CECL519, LEDS1945)**

GLASS COLOUR: transparent glass  
 GLASS SURFACE: glossy surface  
 INNER GLASS FINISH: acid-etched both side surface  
 BODY FINISH: black anodized  
 CANOPY FINISH: metal – black matte powder coating  
 CABLE COLOUR: textile cable – black  
 LED SOURCE: 24V, LED, 5W, 2700K, 273lm, RA80+, DIM

p. 54 | PH1325

**PC937 (CGC516, CGSU881, CGCI685, CGSUI905, CCS1948, CCSC619, CECL519, LEDS1945)**

GLASS COLOUR: smoke grey – transparent glass  
 GLASS SURFACE: acid-etched both side surface  
 INNER GLASS COLOUR: smoke grey – transparent glass  
 INNER GLASS FINISH: acid-etched both side surface  
 BODY FINISH: black anodized  
 CANOPY FINISH: metal – black matte powder coating  
 CABLE COLOUR: textile cable – black  
 LED SOURCE: 24V, LED, 5W, 2700K, 273lm, RA80+, DIM

**PC937 (CGC554, CGSU881, CGCI683, CGSUI905, CCS1948, CCSC619, CECL519, LEDS1945)**

GLASS COLOUR: violet – transparent glass  
 GLASS SURFACE: acid-etched both side surface  
 INNER GLASS COLOUR: violet – transparent glass  
 INNER GLASS FINISH: acid-etched both side surface  
 BODY FINISH: black anodized  
 CANOPY FINISH: metal – black matte powder coating  
 CABLE COLOUR: textile cable – black  
 LED SOURCE: 24V, LED, 5W, 2700K, 273lm, RA80+, DIM

p. 55 | PH1234

**PC943 (CCSC618)**

CANOPY FINISH: metal – white matte powder coating

**3× PC937 (CGC38, CGSU66, CGCI749, CGSUI905, CCS1917, CECL1918, LEDS1945)**

GLASS COLOUR: opaline – transparent glass  
 GLASS SURFACE: glossy surface  
 INNER GLASS COLOUR: opaline – transparent glass  
 INNER GLASS FINISH: acid-etched both side surface  
 BODY FINISH: silver anodized  
 CABLE COLOUR: textile cable – light grey  
 LED SOURCE: 24V, LED, 5W, 2700K, 273lm, RA80+, DIM

p. 56—57 | PH6679

**3× PC937 (CGC38, CGSU66, CGCI682, CGSUI905, CCS1917, CCSC618, CECL1918, LEDS1945)**

GLASS COLOUR: opaline – transparent glass  
 GLASS SURFACE: glossy surface  
 INNER GLASS COLOUR: transparent glass  
 INNER GLASS FINISH: acid-etched both side surface  
 BODY FINISH: silver anodized

CANOPY FINISH: metal – white matte powder coating  
 LED SOURCE: 24V, LED, 5W, 2700K, 273lm, RA80+, DIM

**2× PC937 (CGC38, CGSU66, CGCI749, CGSUI906, CCS1917, CCSC618, CECL1918, LEDS1945)**

GLASS COLOUR: opaline – transparent glass  
 GLASS SURFACE: glossy surface  
 INNER GLASS COLOUR: opaline – transparent glass  
 INNER GLASS FINISH: glossy surface  
 BODY FINISH: silver anodized  
 CANOPY FINISH: metal – white matte powder coating  
 CABLE COLOUR: textile cable – light grey  
 LED SOURCE: 24V, LED, 5W, 2700K, 273lm, RA80+, DIM

p. 58 | PH1241

**PC943 (CCSC619)**

CANOPY FINISH: metal – black matte powder coating

**PC937 (CGC23, CGSU66, CGCI683, CGSUI905, CECL519, LEDS1945)**

GLASS COLOUR: transparent glass  
 GLASS SURFACE: glossy surface  
 INNER GLASS COLOUR: violet – transparent glass  
 INNER GLASS FINISH: acid-etched both side surface  
 BODY FINISH: black anodized  
 CABLE COLOUR: textile cable – black  
 LED SOURCE: 24V, LED, 5W, 2700K, 273lm, RA80+, DIM

**PC937 (CGC23, CGSU66, CGCI685, CGSUI905, CCS1948, CECL519, LEDS1945)**

GLASS COLOUR: transparent glass  
 GLASS SURFACE: glossy surface  
 INNER GLASS COLOUR: smoke grey – transparent glass  
 INNER GLASS FINISH: acid-etched both side surface  
 BODY FINISH: black anodized  
 CABLE COLOUR: textile cable – black  
 LED SOURCE: 24V, LED, 5W, 2700K, 273lm, RA80+, DIM

**PC937 (CGC23, CGSU66, CGCI749, CGSUI905, CCS1948, CECL519, LEDS1945)**

GLASS COLOUR: transparent glass  
 GLASS SURFACE: glossy surface  
 INNER GLASS COLOUR: opaline – transparent glass  
 INNER GLASS FINISH: acid-etched both side surface  
 BODY FINISH: black anodized  
 CABLE COLOUR: textile cable – black  
 LED SOURCE: 24V, LED, 5W, 2700K, 273lm, RA80+, DIM

p. 59 | PH1231

**PC937 (CGC23, CGSU66, CGCI685, CGSUI905, CCS1948, CCSC619, CECL519, LEDS1945)**

GLASS COLOUR: transparent glass  
 GLASS SURFACE: glossy surface  
 INNER GLASS COLOUR: smoke grey – transparent glass  
 INNER GLASS FINISH: acid-etched both side surface  
 BODY FINISH: black anodized

CANOPY FINISH: metal – black matte powder coating  
 CABLE COLOUR: textile cable – black  
 LED SOURCE: 24V, LED, 5W, 2700K, 273lm, RA80+, DIM  
**2× PC937 (CGC23, CGSU66, CGCI683, CGSUI905, CCS1948, CCSC619, CECL519, LEDS1945)**

GLASS COLOUR: transparent glass  
 GLASS SURFACE: glossy surface  
 INNER GLASS COLOUR: violet – transparent glass  
 INNER GLASS FINISH: acid-etched both side surface  
 BODY FINISH: black anodized  
 CANOPY FINISH: metal – black matte powder coating  
 CABLE COLOUR: textile cable – black  
 LED SOURCE: 24V, LED, 5W, 2700K, 273lm, RA80+, DIM

**PC937 (CGC23, CGSU66, CGCI749, CGSUI906, CCS1948, CCSC619, CECL519, LEDS1945)**

GLASS COLOUR: transparent glass  
 GLASS SURFACE: glossy surface  
 INNER GLASS COLOUR: opaline – transparent glass  
 INNER GLASS FINISH: glossy surface  
 BODY FINISH: black anodized  
 CANOPY FINISH: metal – black matte powder coating  
 CABLE COLOUR: textile cable – black  
 LED SOURCE: 24V, LED, 5W, 2700K, 273lm, RA80+, DIM

p. 60—61 | PH1220

**PC943 (CCSC619)**

CANOPY FINISH: metal – black matte powder coating

**PC937 (CGC23, CGSU66, CGCI912, CGSUI906, CCS1948, CECL519, LEDS1945)**

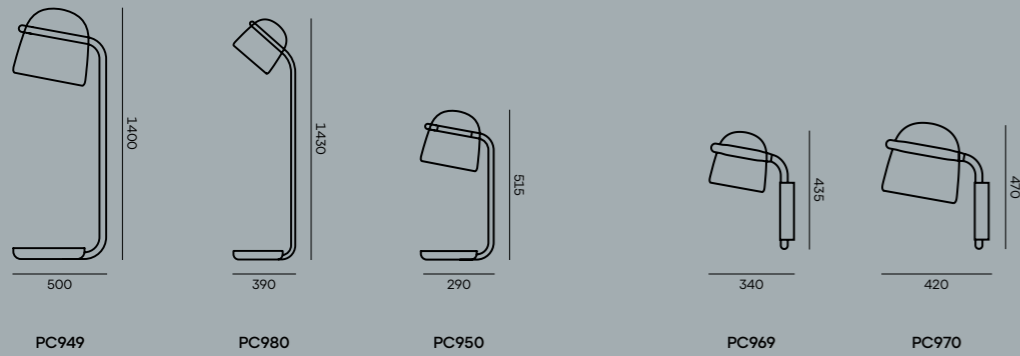
GLASS COLOUR: transparent glass  
 GLASS SURFACE: glossy surface  
 INNER GLASS COLOUR: light blue – transparent glass  
 INNER GLASS FINISH: glossy surface  
 BODY FINISH: black anodized  
 CABLE COLOUR: textile cable – black  
 LED SOURCE: 24V, LED, 5W, 2700K, 273lm, RA80+, DIM

**PC937 (CGC23, CGSU66, CGCI912, CGSUI905, CCS1948, CECL519, LEDS1945)**

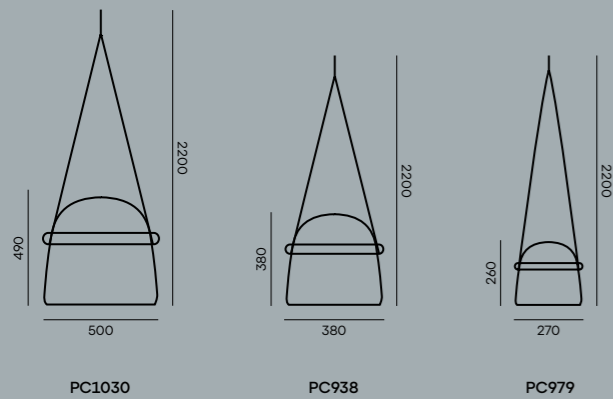
GLASS COLOUR: transparent glass  
 GLASS SURFACE: glossy surface  
 INNER GLASS COLOUR: light blue – transparent glass  
 INNER GLASS FINISH: acid-etched both side surface  
 BODY FINISH: black anodized  
 CABLE COLOUR: textile cable – black  
 LED SOURCE: 24V, LED, 5W, 2700K, 273lm, RA80+, DIM

**PC937 (CGC23, CGSU66, CGCI749, CGSUI906, CCS1948, CECL519, LEDS1945)**

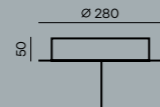
GLASS COLOUR: transparent glass  
 GLASS SURFACE: glossy surface  
 INNER GLASS COLOUR: opaline – transparent glass  
 INNER GLASS FINISH: glossy surface  
 BODY FINISH: black anodized  
 CABLE COLOUR: textile cable – black  
 LED SOURCE: 24V, LED, 5W, 2700K, 273lm, RA80+, DIM



PC949 PC980 PC950 PC969 PC970



PC1030 PC938 PC979



p. 63 | PH903  
**PC938 (CGC38, CGSU66, CCS845, CCSC618, GINT788, LEDS1992)**  
 GLASS COLOUR: opaline – transparent glass  
 GLASS SURFACE: glossy surface  
 BODY FINISH: metal – white matte powder coating  
 CANOPY FINISH: metal – white matte powder coating  
 STRAPS: leather straps – natural  
 LED SOURCE: 24V, LED, 8W, 2700K, 470lm, RA80+, DIM

p. 64 | PH6676  
**2\*PC938 (CGC23, CGSU66, CCS1948, CCSC619, GINT758, LEDS1992)**  
 GLASS COLOUR: transparent glass  
 GLASS SURFACE: glossy surface  
 BODY FINISH: black anodized  
 CANOPY FINISH: metal – black matte powder coating  
 STRAPS: leather straps – grey  
 LED SOURCE: 24V, LED, 8W, 2700K, 470lm, RA80+, DIM

p. 65 | PH6863  
**PC938 (CGC516, CGSU66, CCS1948, CCSC619, GINT758, LEDS1992)**  
 GLASS COLOUR: smoke grey – transparent glass  
 GLASS SURFACE: glossy surface  
 BODY FINISH: black anodized  
 CANOPY FINISH: metal – black matte powder coating  
 STRAPS: leather straps – grey  
 LED SOURCE: 24V, LED, 8W, 2700K, 470lm, RA80+, DIM  
**PC938 (CGC602, CGSU66, CCS1948, CCSC619, GINT792, LEDS1992)**  
 GLASS COLOUR: black – transparent glass  
 GLASS SURFACE: glossy surface  
 BODY FINISH: black anodized  
 CANOPY FINISH: metal – black matte powder coating  
 STRAPS: leather straps – black  
 LED SOURCE: 24V, LED, 8W, 2700K, 470lm, RA80+, DIM

p. 66 | PH927  
**PC1030 (CGC602, CGSU66, CCS1948, CCSC619, GINT792, LEDS1922)**  
 GLASS COLOUR: black – transparent glass  
 GLASS SURFACE: glossy surface  
 BODY FINISH: black anodized  
 CANOPY FINISH: metal – black matte powder coating  
 STRAPS: leather straps – black  
 LED SOURCE: 24V, LED, 12.5W, 2700K, 740lm, DIM

p. 67 | PH6865  
**PC1030 (CGC516, CGSU66, CCS1948, CCSC619, GINT788, LEDS1922)**  
 GLASS COLOUR: smoke grey – transparent glass  
 GLASS SURFACE: glossy surface  
 BODY FINISH: black anodized  
 CANOPY FINISH: metal – black matte powder coating  
 STRAPS: leather straps – natural  
 LED SOURCE: 24V, LED, 12.5W, 2700K, 740lm, DIM  
**PC979 (CGC516, CGSU66, CCS1948, CCSC619, GINT788, LEDS1989)**  
 GLASS COLOUR: smoke grey – transparent glass  
 GLASS SURFACE: glossy surface  
 BODY FINISH: black anodized  
 CANOPY FINISH: metal – black matte powder coating  
 STRAPS: leather straps – natural  
 LED SOURCE: 24V, LED, 4.5W, 2700K, 266lm, RA80+, DIM

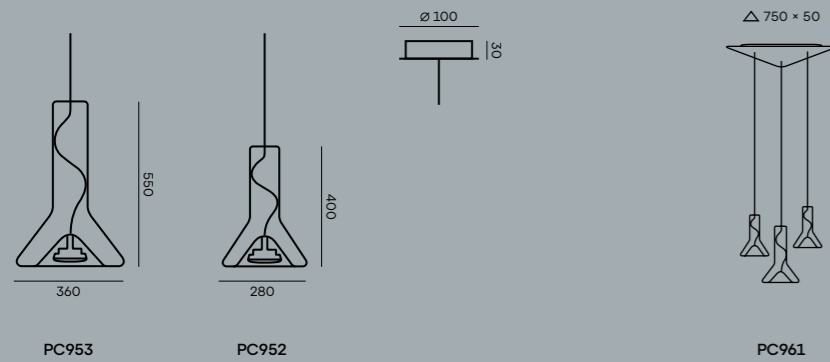
p. 68—69 | PH6675  
**2\*PC938 (CGC23, CGSU66, CCS1948, CCSC619, GINT758, LEDS1992)**  
 GLASS COLOUR: transparent glass  
 GLASS SURFACE: glossy surface  
 BODY FINISH: black anodized  
 CANOPY FINISH: metal – black matte powder coating  
 STRAPS: leather straps – grey  
 LED SOURCE: 24V, LED, 8W, 2700K, 470lm, RA80+, DIM

p. 70 | PH921  
**PC950 (CGC38, CGSU66, CCS732, CECL521, LEDS1986)**  
 GLASS COLOUR: opaline – transparent glass  
 GLASS SURFACE: glossy surface  
 BODY FINISH: lamp body – white  
 CABLE COLOUR: textile cable – white  
 LED SOURCE: 24V, LED, 2.5W, 2700K, 141lm, RA80+, DIM  
**PC950 (CGC554, CGSU66, CCS727, CECL519, LEDS1986)**  
 GLASS COLOUR: violet – transparent glass  
 GLASS SURFACE: glossy surface  
 BODY FINISH: lamp body – black  
 CABLE COLOUR: textile cable – black  
 LED SOURCE: 24V, LED, 2.5W, 2700K, 141lm, RA80+, DIM  
**PC950 (CGC602, CGSU66, CCS727, CECL519, LEDS1986)**  
 GLASS COLOUR: black – transparent glass  
 GLASS SURFACE: glossy surface  
 BODY FINISH: lamp body – black  
 CABLE COLOUR: textile cable – black  
 LED SOURCE: 24V, LED, 2.5W, 2700K, 141lm, RA80+, DIM

p. 71 | PH913  
**PC969 (CGC38, CGSU66, CCS732, LEDS1986)**  
 GLASS COLOUR: opaline – transparent glass  
 GLASS SURFACE: glossy surface  
 BODY FINISH: lamp body – white  
 LED SOURCE: 24V, LED, 2.5W, 2700K, 141lm, RA80+, DIM

p. 72 | PH1356  
**PC980 (CGC602, CGSU66, CCS727, CECL519, LEDS1989)**  
 GLASS COLOUR: black – transparent glass  
 GLASS SURFACE: glossy surface  
 BODY FINISH: lamp body – black  
 CABLE COLOUR: textile cable – black  
 LED SOURCE: 24V, LED, 4.5W, 2700K, 266lm, RA80+, DIM

p. 73 | PH926  
**PC979 (CGC602, CGSU66, CCS1948, CCSC619, GINT792, LEDS1989)**  
 GLASS COLOUR: black – transparent glass  
 GLASS SURFACE: glossy surface  
 BODY FINISH: black anodized  
 CANOPY FINISH: metal – black matte powder coating  
 STRAPS: leather straps – black  
 LED SOURCE: 24V, LED, 4.5W, 2700K, 266lm, RA80+, DIM  
**PC1030 (CGC602, CGSU66, CCS1948, CCSC619, GINT792, LEDS1922)**  
 GLASS COLOUR: black – transparent glass  
 GLASS SURFACE: glossy surface  
 BODY FINISH: black anodized  
 CANOPY FINISH: metal – black matte powder coating  
 STRAPS: leather straps – black  
 LED SOURCE: 24V, LED, 12.5W, 2700K, 740lm, DIM  
**PC938 (CGC602, CGSU66, CCS1948, CCSC619, GINT792, LEDS1992)**  
 GLASS COLOUR: black – transparent glass  
 GLASS SURFACE: glossy surface  
 BODY FINISH: black anodized  
 CANOPY FINISH: metal – black matte powder coating  
 STRAPS: leather straps – black  
 LED SOURCE: 24V, LED, 8W, 2700K, 470lm, RA80+, DIM



p. 42—43 | PH1074

**PC952—PC953 (CGC516, CGSU66, CCS582, CECL519, CEB717)**

GLASS COLOUR: smoke grey – transparent glass  
GLASS SURFACE: glossy surface  
BODY FINISH: black  
CABLE COLOUR: textile cable – black  
RECOMMENDED BULBS: 230V, GX53, 10W, 2700K, 700lm, RA90, 100°, DIM

p. 75 | PH4332

**PC961 (CCSC619)**

CANOPY FINISH: metal – black matte powder coating  
**2×PC952—PC953 (CGC23, CGSU66, CCS584, CECL519, CEB717)**  
GLASS COLOUR: transparent glass  
GLASS SURFACE: glossy surface  
BODY FINISH: copper  
CABLE COLOUR: textile cable – black  
RECOMMENDED BULBS: 230V, GX53, 10W, 2700K, 700lm, RA90, 100°, DIM

p. 76 | PH6867

**2×PC952—PC953 (CGC538, CGSU66, CCS69, CCSC897, CECL519, CEB717)**

GLASS COLOUR: smoke brown – transparent glass  
GLASS SURFACE: glossy surface  
BODY FINISH: brass  
CANOPY FINISH: brass  
CABLE COLOUR: textile cable – black  
RECOMMENDED BULBS: 230V, GX53, 10W, 2700K, 700lm, RA90, 100°, DIM

p. 77 | PH5356

**PC953 (CGC538, CGSU66, CCS69, CCSC897, CECL519, CEB717)**

GLASS COLOUR: smoke brown – transparent glass  
GLASS SURFACE: glossy surface  
BODY FINISH: brass  
CANOPY FINISH: brass  
CABLE COLOUR: textile cable – black  
RECOMMENDED BULBS: 230V, GX53, 10W, 2700K, 700lm, RA90, 100°, DIM

p. 78—79 | PH6677

**2×PC952 (CGC23, CGSU66, CCS584, CCSC896, CECL519, CEB717)**

GLASS COLOUR: transparent glass  
GLASS SURFACE: glossy surface  
BODY FINISH: copper  
CANOPY FINISH: copper  
CABLE COLOUR: textile cable – black  
RECOMMENDED BULBS: 230V, GX53, 10W, 2700K, 700lm, RA90, 100°, DIM

p. 80—81 | PH1372

**PC961 (CCSC618)**

CANOPY FINISH: metal – white matte powder coating  
**PC953—2×PC952 (CGC38, CGSU66, CCS584, CECL521, CEB717)**  
GLASS COLOUR: opaline – transparent glass  
GLASS SURFACE: glossy surface  
BODY FINISH: copper  
CABLE COLOUR: textile cable – white  
RECOMMENDED BULBS: 230V, GX53, 10W, 2700K, 700lm, RA90, 100°, DIM

p. 82 | PH1078

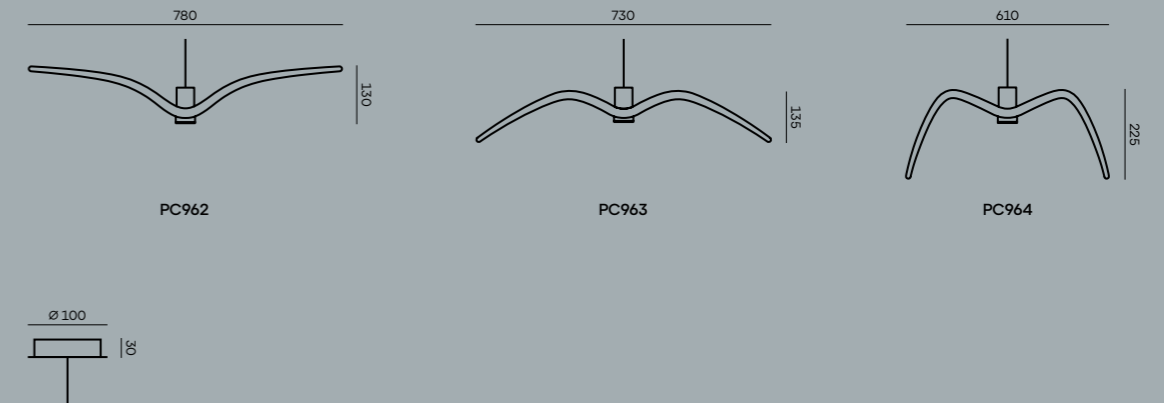
**PC961 (CCSC619)**

CANOPY FINISH: metal – black matte powder coating  
**2×PC952—PC953 (CGC23, CGSU66, CCS275, CECL519, CEB717)**  
GLASS COLOUR: transparent glass  
GLASS SURFACE: glossy surface  
BODY FINISH: chrome  
CABLE COLOUR: textile cable – black  
RECOMMENDED BULBS: 230V, GX53, 10W, 2700K, 700lm, RA90, 100°, DIM

p. 83 | PH1083

**3×PC953 (CGC23, CGSU66, CCS575, CCSC618, CECL521, CEB717)**

GLASS COLOUR: transparent glass  
GLASS SURFACE: glossy surface  
BODY FINISH: white  
CANOPY FINISH: metal – white matte powder coating  
CABLE COLOUR: textile cable – white  
RECOMMENDED BULBS: 230V, GX53, 10W, 2700K, 700lm, RA90, 100°, DIM



p. 84—85 | PH997

**2×PC963—2×PC964—PC962**

**(CGC772, CCS775, CCSC843, CECL149, CEB825)**  
GLASS COLOUR: opal – opaque glass – massif  
BODY FINISH: aluminium  
CANOPY FINISH: aluminium  
CABLE COLOUR: transparent cable  
RECOMMENDED BULBS: 230V, GU10, 5W, 2700K, 336lm, RA90, 100°, DIM

p. 86 | PH990

**2×PC962—2×PC963—PC964**

**(CGC882, CCS775, CCSC843, CECL149, CEB825)**  
GLASS COLOUR: smoke grey – massif  
BODY FINISH: aluminium  
CANOPY FINISH: aluminium  
CABLE COLOUR: transparent cable  
RECOMMENDED BULBS: 230V, GU10, 5W, 2700K, 336lm, RA90, 100°, DIM

p. 87 | PH1362

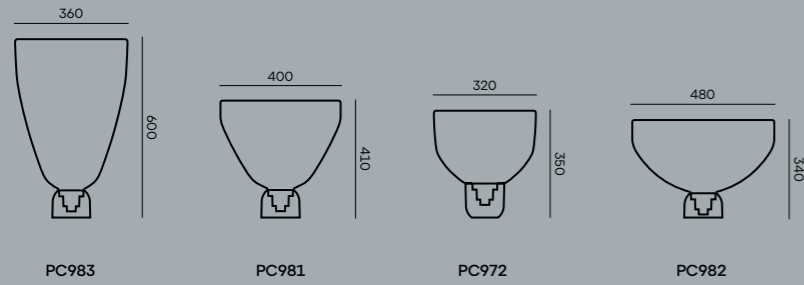
**PC962—PC963—PC964**

**(CGC772, CCS775, CCSC843, CECL149, CEB825)**  
GLASS COLOUR: opal – opaque glass – massif  
BODY FINISH: aluminium  
CANOPY FINISH: aluminium  
CABLE COLOUR: transparent cable  
RECOMMENDED BULBS: 230V, GU10, 5W, 2700K, 336lm, RA90, 100°, DIM

p. 88—89 | PH985

**PC962—2×PC963—PC964**

**(CGC1480, CCS775, CCSC843, CECL149, CEB825)**  
GLASS COLOUR: smoke grey  
BROKISGLASS matte  
BODY FINISH: aluminium  
CANOPY FINISH: aluminium  
CABLE COLOUR: transparent cable  
RECOMMENDED BULBS: 230V, GU10, 5W, 2700K, 336lm, RA90, 100°, DIM



PC983

PC981

PC972

PC982

p. 91 | PH1558

**PC981 (CGC554, CGSU806, CGGB813, CGSUB891, CECL1918, CEB825)**

GLASS COLOUR: violet – transparent glass  
 GLASS SURFACE: glossy – sandblasted (top part)  
 BOTTOM GLASS COLOUR: dark smoke grey – transparent glass  
 BOTTOM GLASS FINISH: acid-etched  
 both side surface  
 CABLE COLOUR: textile cable – light grey  
 RECOMMENDED BULBS: 230V, GU10, 5W, 2700K, 336lm, RA90, 100°, DIM

p. 92 | PH6694

**PC972 (CGC516, CGSU806, CGGB813, CGSUB890, CECL1918, CEB825)**

GLASS COLOUR: smoke grey – transparent glass  
 GLASS SURFACE: glossy – sandblasted (top part)  
 BOTTOM GLASS COLOUR: dark smoke grey – transparent glass  
 BOTTOM GLASS FINISH: glossy surface  
 CABLE COLOUR: textile cable – light grey  
 RECOMMENDED BULBS: 230V, GU10, 5W, 2700K, 336lm, RA90, 100°, DIM

p. 93 | PH850

**PC981 (CGC554, CGSU806, CGGB812, CGSUB890, CECL1918, CEB825)**

GLASS COLOUR: violet – transparent glass  
 GLASS SURFACE: glossy – sandblasted (top part)  
 BOTTOM GLASS COLOUR: transparent glass  
 BOTTOM GLASS FINISH: glossy surface  
 CABLE COLOUR: textile cable – light grey  
 RECOMMENDED BULBS: 230V, GU10, 5W, 2700K, 336lm, RA90, 100°, DIM

**PC982 (CGC23, CGSU806, CGGB812, CGSUB891, CECL1918, CEB825)**

GLASS COLOUR: transparent glass  
 GLASS SURFACE: glossy – sandblasted (top part)  
 BOTTOM GLASS COLOUR: transparent glass  
 BOTTOM GLASS FINISH: acid-etched  
 both side surface  
 CABLE COLOUR: textile cable – light grey  
 RECOMMENDED BULBS: 230V, GU10, 5W, 2700K, 336lm, RA90, 100°, DIM

**PC983 (CGC516, CGSU806, CGGB812, CGSUB890, CECL1918, CEB825)**

GLASS COLOUR: smoke grey – transparent glass  
 GLASS SURFACE: glossy – sandblasted (top part)  
 BOTTOM GLASS COLOUR: transparent glass  
 BOTTOM GLASS FINISH: glossy surface  
 CABLE COLOUR: textile cable – light grey  
 RECOMMENDED BULBS: 230V, GU10, 5W, 2700K, 336lm, RA90, 100°, DIM

**PC972 (CGC515, CGSU806, CGGB812, CGSUB891, CECL1918, CEB825)**

GLASS COLOUR: amber – transparent glass  
 GLASS SURFACE: glossy – sandblasted (top part)  
 BOTTOM GLASS COLOUR: transparent glass  
 BOTTOM GLASS FINISH: acid-etched  
 both side surface  
 CABLE COLOUR: textile cable – light grey  
 RECOMMENDED BULBS: 230V, GU10, 5W, 2700K, 336lm, RA90, 100°, DIM

p. 94 | PH855

**PC972 (CGC38, CGSU806, CGGB812, CGSUB890, CECL520, CEB825)**

GLASS COLOUR: opaline – transparent glass  
 GLASS SURFACE: glossy – sandblasted (top part),  
 BOTTOM GLASS COLOUR: transparent glass  
 BOTTOM GLASS FINISH: glossy surface  
 CABLE COLOUR: textile cable – dark grey  
 RECOMMENDED BULBS: 230V, GU10, 5W, 2700K, 336lm, RA90, 100°, DIM

p. 95 | PH859

**PC972 (CGC544, CGSU806, CGGB812, CGSUB891, CECL519, CEB825)**

GLASS COLOUR: light blue – transparent glass  
 GLASS SURFACE: glossy – sandblasted (top part)  
 BOTTOM GLASS COLOUR: transparent glass  
 BOTTOM GLASS FINISH: acid-etched  
 both side surface  
 CABLE COLOUR: textile cable – black  
 RECOMMENDED BULBS: 230V, GU10, 5W, 2700K, 336lm, RA90, 100°, DIM

p. 96 | PH1344

**PC983 (CGC23, CGSU806, CGGB812, CGSUB891, CECL521, CEB825)**

GLASS COLOUR: transparent glass  
 GLASS SURFACE: glossy – sandblasted (top part)  
 BOTTOM GLASS COLOUR: transparent glass  
 BOTTOM GLASS FINISH: acid-etched  
 both side surface  
 CABLE COLOUR: textile cable – white  
 RECOMMENDED BULBS: 230V, GU10, 5W, 2700K, 336lm, RA90, 100°, DIM

p. 97 | PH856

**PC972 (CGC45, CGSU806, CGGB812, CGSUB890, CECL1918, CEB825)**

GLASS COLOUR: red – transparent glass  
 GLASS SURFACE: glossy – sandblasted (top part)  
 BOTTOM GLASS COLOUR: transparent glass  
 BOTTOM GLASS FINISH: glossy surface  
 CABLE COLOUR: textile cable – light grey  
 RECOMMENDED BULBS: 230V, GU10, 5W, 2700K, 336lm, RA90, 100°, DIM

p. 98—99 | PH1556

**PC982 (CGC23, CGSU806, CGGB812, CGSUB890, CECL521, CEB825)**

GLASS COLOUR: transparent glass  
 GLASS SURFACE: glossy – sandblasted (top part)  
 BOTTOM GLASS COLOUR: transparent glass  
 BOTTOM GLASS FINISH: glossy surface  
 CABLE COLOUR: textile cable – white  
 RECOMMENDED BULBS: 230V, GU10, 5W, 2700K, 336lm, RA90, 100°, DIM

**PC981 (CGC554, CGSU806, CGGB812, CGSUB890, CECL521, CEB825)**

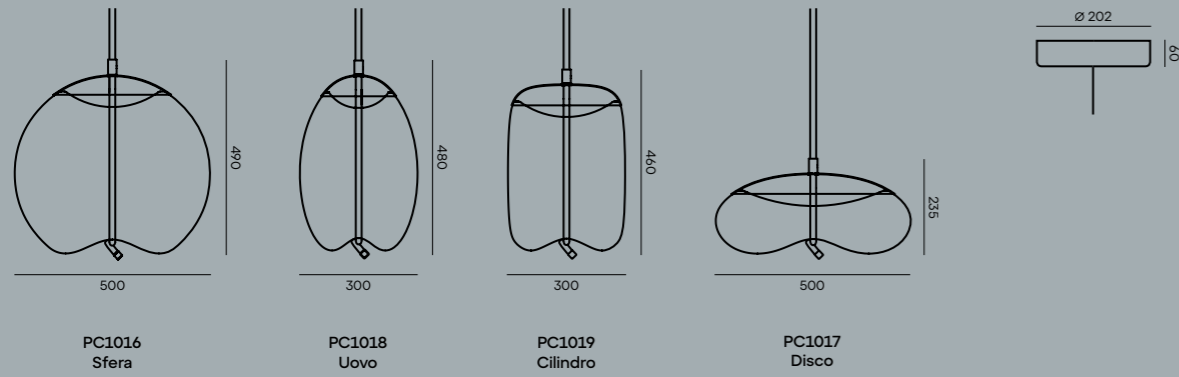
GLASS COLOUR: violet – transparent glass  
 GLASS SURFACE: glossy – sandblasted (top part)  
 BOTTOM GLASS COLOUR: transparent glass  
 BOTTOM GLASS FINISH: glossy surface  
 CABLE COLOUR: textile cable – white  
 RECOMMENDED BULBS: 230V, GU10, 5W, 2700K, 336lm, RA90, 100°, DIM

**PC983 (CGC516, CGSU806, CGGB812, CGSUB890, CECL521, CEB825)**

GLASS COLOUR: smoke grey – transparent glass  
 GLASS SURFACE: glossy – sandblasted (top part)  
 BOTTOM GLASS COLOUR: transparent glass  
 BOTTOM GLASS FINISH: glossy surface  
 CABLE COLOUR: textile cable – white  
 RECOMMENDED BULBS: 230V, GU10, 5W, 2700K, 336lm, RA90, 100°, DIM

**PC972 (CGC515, CGSU806, CGGB812, CGSUB890, CECL521, CEB825)**

GLASS COLOUR: amber – transparent glass  
 GLASS SURFACE: glossy – sandblasted (top part)  
 BOTTOM GLASS COLOUR: transparent glass  
 BOTTOM GLASS FINISH: glossy surface  
 CABLE COLOUR: textile cable – white  
 RECOMMENDED BULBS: 230V, GU10, 5W, 2700K, 336lm, RA90, 100°, DIM



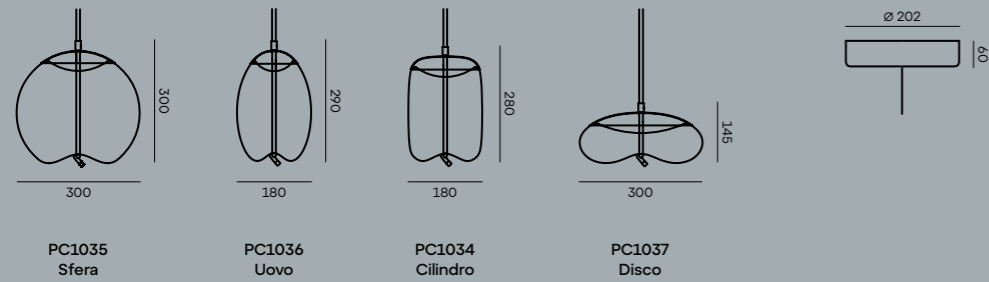
p. 101 | PH1338  
**PC1037 (CGC538, CGSU880, CCS69, CCSC897, CRP970, LEDS1910)**  
 GLASS COLOUR: smoke brown – transparent glass  
 GLASS SURFACE: matte inner glass finish  
 BODY FINISH: brass  
 CANOPY FINISH: brass  
 ROPE: natural  
 LED SOURCE: 24V, LED, 10W, 2700K, 1510lm, RA80+, DIM

CANOPY FINISH: chrome black  
 ROPE: natural  
 LED SOURCE: 24V, LED, 10W, 2700K, 1510lm, RA80+, DIM  
**PC1036 (CGC516, CGSU66, CCS959, CCSC975, CRP970, LEDS1909)**  
 GLASS COLOUR: smoke grey – transparent glass  
 GLASS SURFACE: glossy surface  
 BODY FINISH: chrome black  
 CANOPY FINISH: chrome black  
 ROPE: natural  
 LED SOURCE: 24V, LED, 7W, 2700K, 895lm, RA80+, DIM  
**PC1017 (CGC516, CGSU66, CCS959, CCSC975, CRP970, LEDS982)**  
 GLASS COLOUR: smoke grey – transparent glass  
 GLASS SURFACE: glossy surface  
 BODY FINISH: chrome black  
 CANOPY FINISH: chrome black  
 ROPE: natural  
 LED SOURCE: 24V, LED, 14W, 2700K, 1660lm, RA80+, DIM

LED SOURCE: 24V, LED, 10W, 2700K, 1510lm, RA80+, DIM  
**PC1017 (CGC538, CGSU66, CCS959, CCSC975, CRP970, LEDS982)**  
 GLASS COLOUR: smoke brown – transparent glass  
 GLASS SURFACE: glossy surface  
 BODY FINISH: chrome black  
 CANOPY FINISH: chrome black  
 ROPE: natural  
 LED SOURCE: 24V, LED, 14W, 2700K, 1660lm, RA80+, DIM

p. 108 | PH1339  
**PC1019—PC1016 (CGC538, CGSU66, CCS69, CCSC897, CRP970, LEDS982)**  
 GLASS COLOUR: smoke brown – transparent glass  
 GLASS SURFACE: glossy surface  
 BODY FINISH: brass  
 CANOPY FINISH: brass  
 ROPE: natural  
 LED SOURCE: 24V, LED, 14W, 2700K, 1660lm, RA80+, DIM  
**PC1018 (CGC538, CGSU66, CCS69, CCSC897, CRP970, LEDS981)**  
 GLASS COLOUR: smoke brown – transparent glass  
 GLASS SURFACE: glossy surface  
 BODY FINISH: brass  
 CANOPY FINISH: brass  
 ROPE: natural  
 LED SOURCE: 24V, LED, 14W, 2700K, 1660lm, RA80+, DIM

KNOT SMALL



**PC1019 (CGC538, CGSU880, CCS69, CCSC897, CRP970, LEDS982)**  
 GLASS COLOUR: smoke brown – transparent glass  
 GLASS SURFACE: matte inner glass finish  
 BODY FINISH: copper  
 CANOPY FINISH: copper  
 ROPE: natural  
 LED SOURCE: 24V, LED, 14W, 2700K, 1660lm, RA80+, DIM

p. 104 | PH1341  
**PC1016—PC1019 (CGC516, CGSU66, CCS584, CCSC896, CRP970, LEDS982)**  
 GLASS COLOUR: smoke grey – transparent glass  
 GLASS SURFACE: glossy surface  
 BODY FINISH: copper  
 CANOPY FINISH: copper  
 ROPE: natural  
 LED SOURCE: 24V, LED, 14W, 2700K, 1660lm, RA80+, DIM

p. 109 | PH1336  
**PC1037—PC1035—PC1034 (CGC538, CGSU66, CCS959, CCSC975, CRP970, LEDS1910)**  
 GLASS COLOUR: smoke brown – transparent glass  
 GLASS SURFACE: glossy surface  
 BODY FINISH: chrome black  
 CANOPY FINISH: chrome black  
 ROPE: natural  
 LED SOURCE: 24V, LED, 10W, 2700K, 1510lm, RA80+, DIM

p. 102—103 | PH1335  
**PC1037 (CGC516, CGSU66, CCS959, CCSC975, CRP970, LEDS1910)**  
 GLASS COLOUR: smoke grey – transparent glass  
 GLASS SURFACE: glossy surface  
 BODY FINISH: chrome black  
 CANOPY FINISH: chrome black  
 ROPE: natural  
 LED SOURCE: 24V, LED, 10W, 2700K, 1510lm, RA80+, DIM

p. 105 | PH825  
**PC1078 (CGC516, CGSU66, CCS69, CRP970, CECL519, LEDS982)**  
 GLASS COLOUR: smoke grey – transparent glass  
 GLASS SURFACE: glossy surface  
 BODY FINISH: brass  
 ROPE: natural  
 CABLE COLOUR: textile cable – black  
 LED SOURCE: 24V, LED, 14W, 2700K, 1660lm, RA80+, DIM

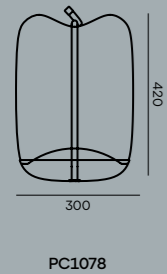
p. 106—107 | PH1337  
**PC1036 (CGC538, CGSU66, CCS959, CCSC975, CRP970, LEDS1909)**  
 GLASS COLOUR: smoke brown – transparent glass  
 GLASS SURFACE: glossy surface  
 BODY FINISH: chrome black  
 CANOPY FINISH: chrome black  
 ROPE: rope – natural  
 LED SOURCE: 24V, LED, 7W, 2700K, 895lm, RA80+, DIM

**PC1016 (CGC516, CGSU66, CCS959, CCSC975, CRP970, LEDS982)**  
 GLASS COLOUR: smoke grey – transparent glass  
 GLASS SURFACE: glossy surface  
 BODY FINISH: chrome black  
 CANOPY FINISH: chrome black  
 ROPE: natural  
 LED SOURCE: 24V, LED, 14W, 2700K, 1660lm, RA80+, DIM

**PC1034 (CGC516, CGSU66, CCS959, CCSC975, CRP970, LEDS1910)**  
 GLASS COLOUR: smoke grey – transparent glass  
 GLASS SURFACE: glossy surface  
 BODY FINISH: chrome black  
 CANOPY FINISH: chrome black  
 ROPE: natural  
 LED SOURCE: 24V, LED, 10W, 2700K, 1510lm, RA80+, DIM

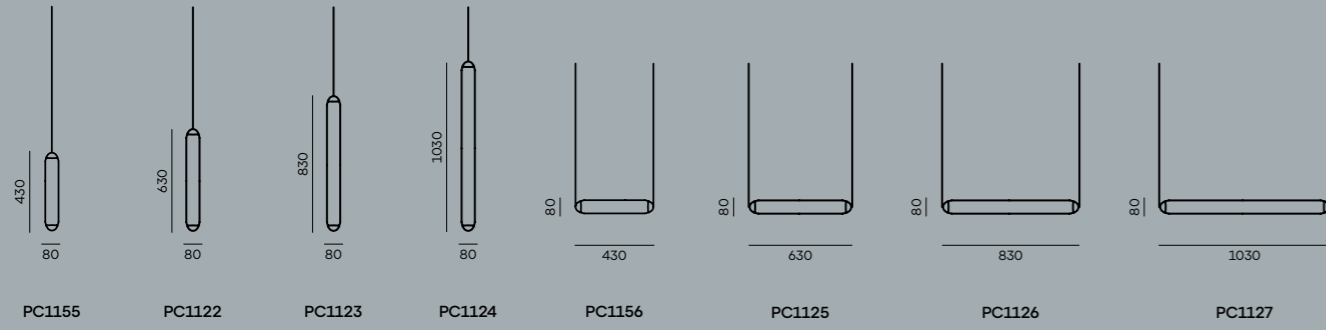
**PC1035 (CGC516, CGSU66, CCS959, CCSC975, CRP970, LEDS1910)**  
 GLASS COLOUR: smoke grey – transparent glass  
 GLASS SURFACE: glossy surface  
 BODY FINISH: chrome black  
 CANOPY FINISH: chrome black  
 ROPE: natural

KNOT TABLE

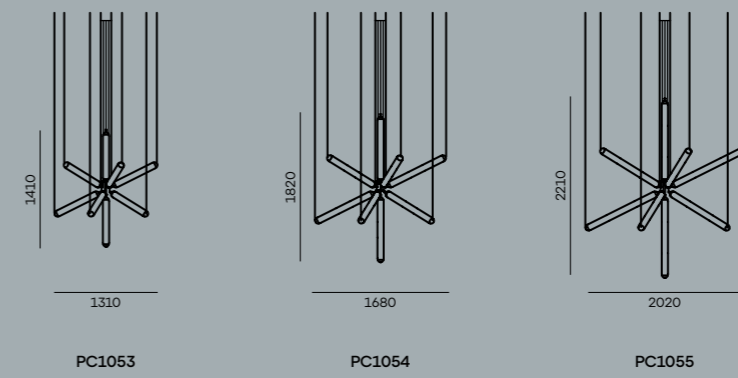


PC1078

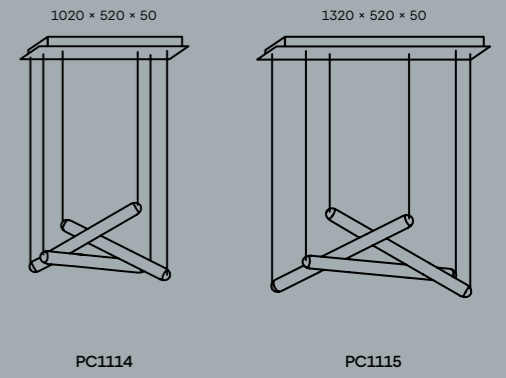
PURO SOLO



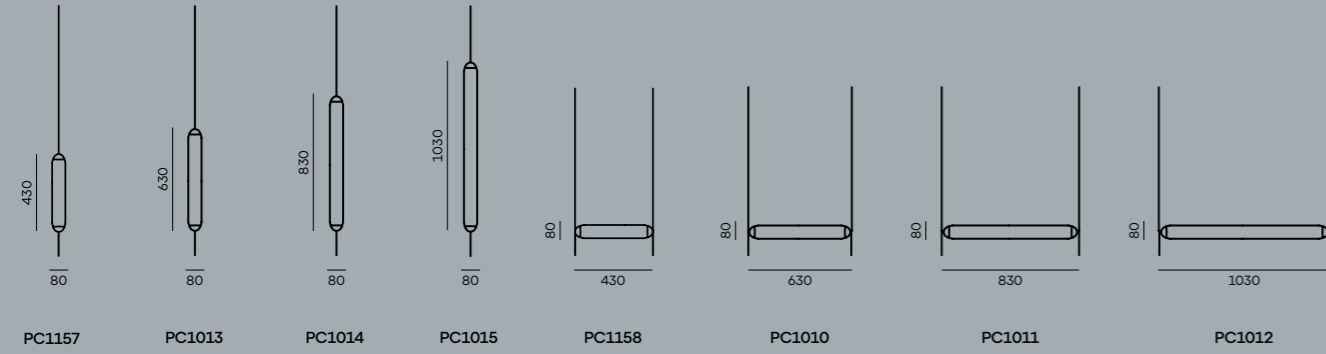
PURO SPARKLE



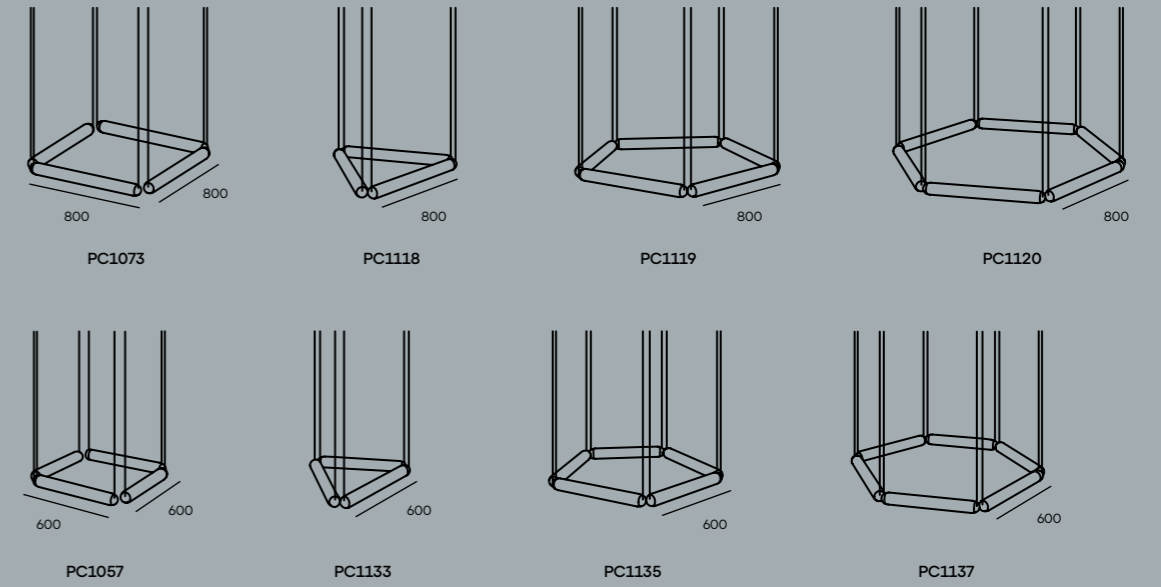
PURO ECLECTIC



PURO SINGLE



PURO CONTOUR



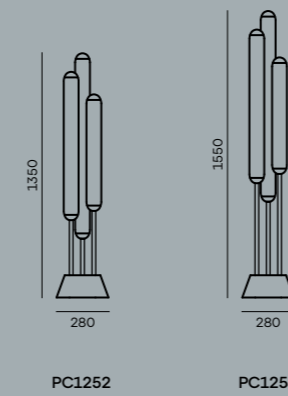
Canopy for Puro Solo and Puro Single

PURO SPOTLIGHT



PC1121

PURO FLOOR







CANOPY FINISH: glass – black  
 CABLE COLOUR: textile cable – black  
 LED SOURCE: 1000mm 24V, LED, 17.5W, 2700K, 1035lm, RA80+, DIM  
**PC1121 (CGGB977, CGSUB891, CCS846, CCSC619, CECL519, CEBBP1031)**  
 BOTTOM GLASS COLOUR: smoke grey – transparent glass  
 BOTTOM GLASS FINISH: acid-etched both side surface  
 BODY FINISH: metal – black matte powder coating  
 CABLE COLOUR: textile cable – black  
 LED SOURCE: 24V, LED, 5W, 2700K, 240lm, RA90, DIM

p. 120 — 121 | PH1036  
**PC1114 (CGC39, CGSU881, CCS845, CCSC618, CECL521, LEDS1929)**  
 GLASS COLOUR: triplex opal  
 GLASS SURFACE: acid-etched both side surface  
 BODY FINISH: metal – white matte powder coating  
 CANOPY FINISH: metal – white matte powder coating  
 CABLE COLOUR: textile cable – white  
 LED SOURCE: 800mm 24V, LED, 15W, 2700K, 880lm, RA80+, DIM

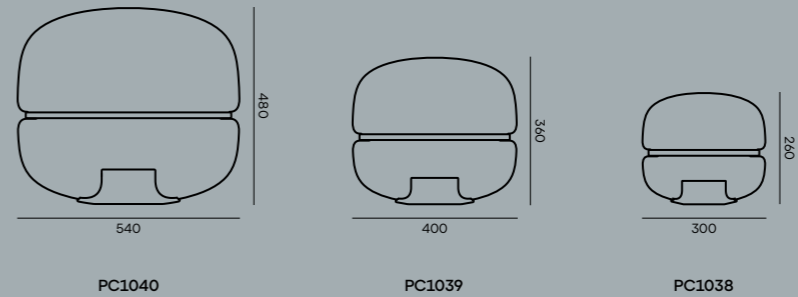
p. 122 | PH6512  
**PC1252 (CGC39, CGSU881, CCS2809, CECL521, LEDS2833)**  
 GLASS COLOUR: triplex opal  
 GLASS SURFACE: acid-etched both side surface  
 BODY FINISH: metal – white matte powder coating with structure  
 CABLE COLOUR: textile cable – white  
 LED SOURCE: 24V, LED, 45W, 2700K, 2400lm, RA80+, DIM

p. 123 | PH1042  
 PC1010, 2×PC1121  
 PC1014, PC1121  
 PC1015, PC1121  
 PC1013, PC1121  
**PC1010 (CGC39, CGSU881, CCS845, CCSC2403, CECL521, LEDS1926)**  
 GLASS COLOUR: triplex opal  
 GLASS SURFACE: acid-etched both side surface  
 BODY FINISH: metal – white matte powder coating  
 CANOPY FINISH: glass – white  
 CABLE COLOUR: textile cable – white  
 LED SOURCE: 600mm 24V, LED, 9.5W, 2700K, 547lm, RA80+, DIM  
**2×PC1121 (CGGB812, CGSUB890, CCS845, CECL521, CEBBP1031)**  
 BOTTOM GLASS COLOUR: transparent glass  
 BOTTOM GLASS FINISH: glossy surface  
 BODY FINISH: metal – white matte powder coating  
 CABLE COLOUR: textile cable – white  
 LED SOURCE: 24V, LED, 5W, 2700K, 240lm, RA90, DIM

**PC1014 (CGC39, CGSU881, CCS845, CCSC2403, CECL521, LEDS1929)**  
 GLASS COLOUR: triplex opal  
 GLASS SURFACE: acid-etched both side surface  
 BODY FINISH: metal – white matte powder coating  
 CANOPY FINISH: glass – white  
 CABLE COLOUR: textile cable – white

LED SOURCE: 800mm 24V, LED, 15W, 2700K, 880lm, RA80+, DIM  
**PC1121 (CGGB812, CGSUB890, CCS845, CECL521, CEBBP1031)**  
 BOTTOM GLASS COLOUR: transparent glass  
 BOTTOM GLASS FINISH: glossy surface  
 BODY FINISH: metal – white matte powder coating  
 CABLE COLOUR: textile cable – white  
 LED SOURCE: 24V, LED, 5W, 2700K, 240lm, RA90, DIM  
**PC1015 (CGC39, CGSU881, CCS845, CCSC2403, CECL521, LEDS1932)**  
 GLASS COLOUR: triplex opal  
 GLASS SURFACE: acid-etched both side surface  
 BODY FINISH: metal – white matte powder coating  
 CANOPY FINISH: glass – white  
 CABLE COLOUR: textile cable – white  
 LED SOURCE: 1000mm 24V, LED, 17.5W, 2700K, 1035lm, RA80+, DIM  
**PC1121 (CGGB812, CGSUB890, CCS845, CECL521, CEBBP1031)**  
 BOTTOM GLASS COLOUR: transparent glass  
 BOTTOM GLASS FINISH: glossy surface  
 BODY FINISH: metal – white matte powder coating  
 CABLE COLOUR: textile cable – white  
 LED SOURCE: 24V, LED, 5W, 2700K, 240lm, RA90, DIM  
**PC1013 (CGC39, CGSU881, CCS845, CCSC2403, CECL521, LEDS1926)**  
 GLASS COLOUR: triplex opal  
 GLASS SURFACE: acid-etched both side surface  
 BODY FINISH: metal – white matte powder coating  
 CANOPY FINISH: glass – white  
 CABLE COLOUR: textile cable – white  
 LED SOURCE: 600mm 24V, LED, 9.5W, 2700K, 547lm, RA80+, DIM  
**PC1121 (CGGB812, CGSUB890, CCS845, CECL521, CEBBP1031)**  
 BOTTOM GLASS COLOUR: transparent glass  
 BOTTOM GLASS FINISH: glossy surface  
 BODY FINISH: metal – white matte powder coating  
 CABLE COLOUR: textile cable – white  
 LED SOURCE: 24V, LED, 5W, 2700K, 240lm, RA90, DIM

p. 124 — 125 | PH1023  
**PC1073 (CGC1507, CGSU881, CCS846, CCSC619, CECL519, LEDS1929)**  
 GLASS COLOUR: dark grey – opaline  
 GLASS SURFACE: acid-etched both side surface  
 BODY FINISH: metal – black matte powder coating  
 CANOPY FINISH: metal – black matte powder coating  
 CABLE COLOUR: textile cable – black  
 LED SOURCE: 800mm 24V, LED, 15W, 2700K, 880lm, RA80+, DIM



p. 127 | PH1566  
**PC1040 (CGC46, CGSU66, CSFB1535, CSOP1532, CECL521, CEB717)**  
 GLASS COLOUR: light pink – transparent glass  
 GLASS SURFACE: glossy surface  
 BASE FINISH: onyx white  
 PLATE FINISH: onyx white  
 CABLE COLOUR: textile cable – white  
 RECOMMENDED BULBS: 230V, GX53, 10W, 2700K, 700lm, RA90, 100°, DIM

p. 128 | PH870  
**PC1040 (CGC23, CGSU66, CSFB1535, CSOP1532, CECL521, CEB717)**  
 GLASS COLOUR: transparent glass  
 GLASS SURFACE: glossy surface  
 BASE FINISH: onyx white  
 PLATE FINISH: onyx white  
 CABLE COLOUR: textile cable – white  
 RECOMMENDED BULBS: 230V, GX53, 10W, 2700K, 700lm, RA90, 100°, DIM

p. 129 | PH872  
**PC1039 (CGC516, CGSU66, CSFB1535, CSOP1532, CECL521, CEB717)**  
 GLASS COLOUR: smoke grey – transparent glass  
 GLASS SURFACE: glossy surface  
 BASE FINISH: onyx white  
 PLATE FINISH: onyx white  
 CABLE COLOUR: textile cable – white  
 RECOMMENDED BULBS: 230V, GX53, 10W, 2700K, 700lm, RA90, 100°, DIM

p. 130 — 131 | PH881  
**PC1039 (CGC23, CGSU66, CSFB1576, CSOP1533, CECL1918, CEB717)**  
 GLASS COLOUR: transparent glass  
 GLASS SURFACE: glossy surface  
 BASE FINISH: onyx honey  
 PLATE FINISH: onyx honey  
 CABLE COLOUR: textile cable – light grey  
 RECOMMENDED BULBS: 230V, GX53, 10W, 2700K, 700lm, RA90, 100°, DIM

p. 132 — 133 | PH1574  
**PC1038 (CGC516, CGSU66, CSFB1535, CSOP1532, CECL521, CEB717)**  
 GLASS COLOUR: smoke grey – transparent glass  
 GLASS SURFACE: glossy surface  
 BASE FINISH: onyx white  
 PLATE FINISH: onyx white  
 CABLE COLOUR: textile cable – white  
 RECOMMENDED BULBS: 230V, GX53, 10W, 2700K, 700lm, RA90, 100°, DIM  
**PC1040 (CGC46, CGSU66, CSFB1535, CSOP1532, CECL521, CEB717)**  
 GLASS COLOUR: light pink – transparent glass  
 GLASS SURFACE: glossy surface  
 BASE FINISH: onyx white  
 PLATE FINISH: onyx white  
 CABLE COLOUR: textile cable – white  
 RECOMMENDED BULBS: 230V, GX53, 10W, 2700K, 700lm, RA90, 100°, DIM  
**PC1039 (CGC23, CGSU66, CSFB1535, CSOP1532, CECL521, CEB717)**  
 GLASS COLOUR: transparent glass  
 GLASS SURFACE: glossy surface  
 BASE FINISH: onyx white  
 PLATE FINISH: onyx white  
 CABLE COLOUR: textile cable – white  
 RECOMMENDED BULBS: 230V, GX53, 10W, 2700K, 700lm, RA90, 100°, DIM

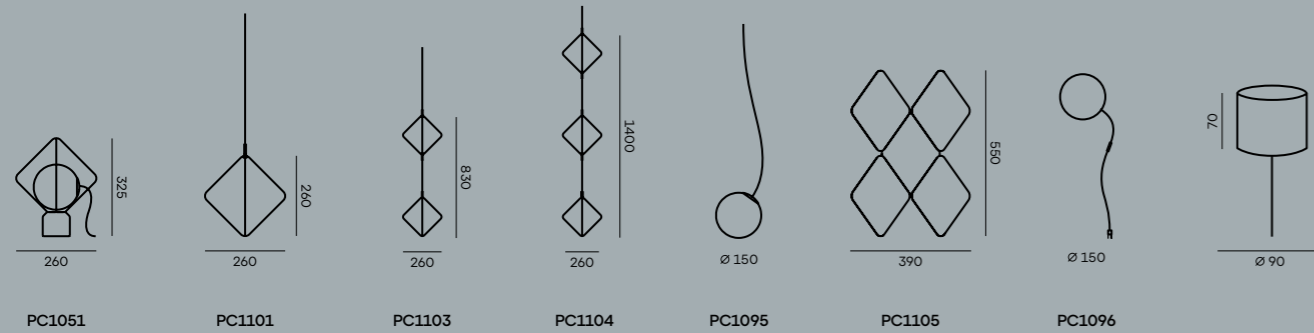
**PC1038 (CGC515, CGSU66, CSFB1576, CSOP1533, CECL521, CEB717)**  
 GLASS COLOUR: amber – transparent glass  
 GLASS SURFACE: glossy surface  
 BASE FINISH: onyx honey  
 PLATE FINISH: onyx honey  
 CABLE COLOUR: textile cable – white  
 RECOMMENDED BULBS: 230V, GX53, 10W, 2700K, 700lm, RA90, 100°, DIM

p. 134 | PH880  
**PC1038 (CGC23, CGSU66, CSFB1574, CSOP1577, CECL520, CEB717)**  
 GLASS COLOUR: transparent glass  
 GLASS SURFACE: glossy surface

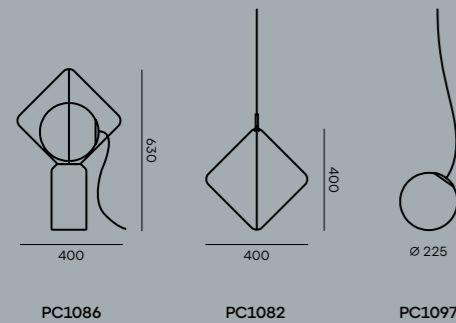
BASE FINISH: European oak – stained black  
 PLATE FINISH: BROKISGLASS – smoke grey matte  
 CABLE COLOUR: textile cable – dark grey  
 RECOMMENDED BULBS: 230V, GX53, 10W, 2700K, 700lm, RA90, 100°, DIM

p. 135 | PH862  
**PC1038 (CGC515, CGSU66, CSFB1535, CSOP1532, CECL521, CEB717)**  
 GLASS COLOUR: amber – transparent glass  
 GLASS SURFACE: glossy surface  
 BASE FINISH: onyx white  
 PLATE FINISH: onyx white  
 CABLE COLOUR: textile cable – white  
 RECOMMENDED BULBS: 230V, GX53, 10W, 2700K, 700lm, RA90, 100°, DIM

JACK O' LANTERN SMALL



JACK O' LANTERN LARGE



p. 137 | PH3420

**PC1051 (CGC39, CGSU881, CSFB2682, CCS2354, CECL519, CEB2773)**

GLASS COLOUR: triplex opal  
 GLASS SURFACE: acid-etched both side surface  
 BASE FINISH: satinated Rosso Francia marble  
 BODY FINISH: liquid metal coating – chrome  
 CABLE COLOUR: textile cable – black  
 RECOMMENDED BULBS: 230V, G9, 4.5W, 2700K, DIM

p. 138 | PH1330

**PC1051 (CGC39, CGSU881, CSFB2361, CCS2355, CECL1918, CEB2773)**

GLASS COLOUR: triplex opal  
 GLASS SURFACE: acid-etched both side surface  
 BASE FINISH: satinated Carrara marble  
 BODY FINISH: liquid metal coating – black chrome  
 CABLE COLOUR: textile cable – light grey  
 RECOMMENDED BULBS: 230V, G9, 4.5W, 2700K, DIM

**PC1086 (CGC39, CGSU881, CSFB2361, CCS2355, CECL1918, CEB1828)**

GLASS COLOUR: triplex opal  
 GLASS SURFACE: acid-etched both side surface  
 BASE FINISH: satinated Carrara marble  
 BODY FINISH: liquid metal coating – black chrome  
 CABLE COLOUR: textile cable – light grey  
 RECOMMENDED BULBS: 230V, G9, 4.5W, 2700K, DIM

p. 139 | PH1385

**PC1051 (CGC39, CGSU881, CSFB2360, CCS2355, CECL519, CEB2773)**

GLASS COLOUR: triplex opal  
 GLASS SURFACE: acid-etched both side surface  
 BASE FINISH: satinated Nero Marquina marble  
 BODY FINISH: liquid metal coating – black chrome  
 CABLE COLOUR: textile cable – black  
 RECOMMENDED BULBS: 230V, G9, 4.5W, 2700K, DIM

p. 140 | PH1520

**PC1051 (CGC516, CGSU881, CSFB2360, CCS2673, CECL519, CEB2773)**

GLASS COLOUR: smoke grey – transparent glass  
 GLASS SURFACE: acid-etched both side surface  
 BASE FINISH: satinated Nero Marquina marble  
 BODY FINISH: black matte powder coating with structure  
 CABLE COLOUR: textile cable – black  
 RECOMMENDED BULBS: 230V, G9, 4.5W, 2700K, DIM

p. 141 | PH1503

**PC1082 + PC1097 (CGC39, CGSU881, CCS2354, CCSC2363, CECL1918, CEB1828)**

GLASS COLOUR: triplex opal  
 GLASS SURFACE: acid-etched both side surface  
 BODY FINISH: liquid metal coating – chrome  
 CANOPY FINISH: liquid metal coating – chrome  
 CABLE COLOUR: textile cable – light grey  
 RECOMMENDED BULBS: 230V, G9, 4.5W, 2700K, DIM

**2\*PC1101 + 2\*PC1095 (CGC39, CGSU881, CCS2354, CCSC2363, CECL1918, CEB2773)**

GLASS COLOUR: triplex opal  
 GLASS SURFACE: acid-etched both side surface  
 BODY FINISH: liquid metal coating – chrome  
 CANOPY FINISH: liquid metal coating – chrome

CABLE COLOUR: textile cable – light grey  
 RECOMMENDED BULBS: 230V, G9, 4.5W, 2700K, DIM

**PC1051 (CGC39, CGSU881, CSFB2360, CCS2355, CECL1918, CEB2773)**

GLASS COLOUR: triplex opal  
 GLASS SURFACE: acid-etched both side surface  
 BASE FINISH: satinated Nero Marquina marble  
 BODY FINISH: liquid metal coating – black chrome  
 CABLE COLOUR: textile cable – light grey  
 RECOMMENDED BULBS: 230V, G9, 4.5W, 2700K, DIM

**PC1086 (CGC39, CGSU881, CSFB2360, CCS2355, CECL519, CEB1828)**

GLASS COLOUR: triplex opal  
 GLASS SURFACE: acid-etched both side surface  
 BASE FINISH: satinated Nero Marquina marble  
 BODY FINISH: liquid metal coating – black chrome  
 CABLE COLOUR: textile cable – black  
 RECOMMENDED BULBS: 230V, G9, 4.5W, 2700K, DIM

p. 142—143 | PH3397

**PC1051 (CGC516, CGSU881, CSFB2361, CCS2354, CECL519, CEB2773)**

GLASS COLOUR: smoke grey – transparent glass  
 GLASS SURFACE: acid-etched both side surface  
 BASE FINISH: satinated Carrara marble  
 BODY FINISH: liquid metal coating – chrome  
 CABLE COLOUR: textile cable – black  
 RECOMMENDED BULBS: 230V, G9, 4.5W, 2700K, DIM

**PC1051 (CGC516, CGSU881, CSFB2360, CCS2353, CECL1918, CEB2773)**

GLASS COLOUR: smoke grey – transparent glass  
 GLASS SURFACE: acid-etched both side surface  
 BASE FINISH: satinated Nero Marquina marble  
 BODY FINISH: liquid metal coating – copper  
 CABLE COLOUR: textile cable – light grey  
 RECOMMENDED BULBS: 230V, G9, 4.5W, 2700K, DIM

**PC1051 (CGC39, CGSU881, CSFB2360, CCS2673, CECL519, CEB2773)**

GLASS COLOUR: triplex opal  
 GLASS SURFACE: acid-etched both side surface  
 BASE FINISH: satinated Nero Marquina marble  
 BODY FINISH: black matte powder coating with structure  
 CABLE COLOUR: textile cable – black  
 RECOMMENDED BULBS: 230V, G9, 4.5W, 2700K, DIM

**PC1051 (CGC46, CGSU881, CSFB2361, CCS2353, CECL521, CEB2773)**

GLASS COLOUR: light pink – transparent glass  
 GLASS SURFACE: acid-etched both side surface  
 BASE FINISH: satinated Carrara marble  
 BODY FINISH: liquid metal coating – copper  
 CABLE COLOUR: textile cable – white  
 RECOMMENDED BULBS: 230V, G9, 4.5W, 2700K, DIM

**PC1051 (CGC516, CGSU881, CSFB2360, CCS2355, CECL519, CEB2773)**

GLASS COLOUR: smoke grey – transparent glass  
 GLASS SURFACE: acid-etched both side surface  
 BASE FINISH: satinated Nero Marquina marble  
 BODY FINISH: liquid metal coating – black chrome  
 CABLE COLOUR: textile cable – black  
 RECOMMENDED BULBS: 230V, G9, 4.5W, 2700K, DIM

p. 144 | PH1399

**PC1101 + PC1095 (CGC39, CGSU881, CCS2354, CCSC2363, CECL1918, CEB2773)**

GLASS COLOUR: triplex opal  
 GLASS SURFACE: acid-etched both side surface  
 BODY FINISH: liquid metal coating – chrome  
 CANOPY FINISH: liquid metal coating – chrome  
 CABLE COLOUR: textile cable – light grey  
 RECOMMENDED BULBS: 230V, G9, 4.5W, 2700K, DIM

**PC1051 (CGC39, CGSU881, CSFB2361, CCS2354, CECL1918, CEB2773)**

GLASS COLOUR: triplex opal  
 GLASS SURFACE: acid-etched both side surface  
 BASE FINISH: satinated Carrara marble  
 BODY FINISH: liquid metal coating – chrome  
 CABLE COLOUR: textile cable – light grey  
 RECOMMENDED BULBS: 230V, G9, 4.5W, 2700K, DIM

p. 145 | PH1333

**PC1105 + PC1096 (CGC45, CGSU881, CCS2353, CECL521, CEB2773)**

GLASS COLOUR: light pink – transparent glass  
 GLASS SURFACE: acid-etched both side surface  
 BODY FINISH: liquid metal coating – copper  
 CABLE COLOUR: textile cable – white  
 RECOMMENDED BULBS: 230V, G9, 4.5W, 2700K, DIM

p. 146 | PH813

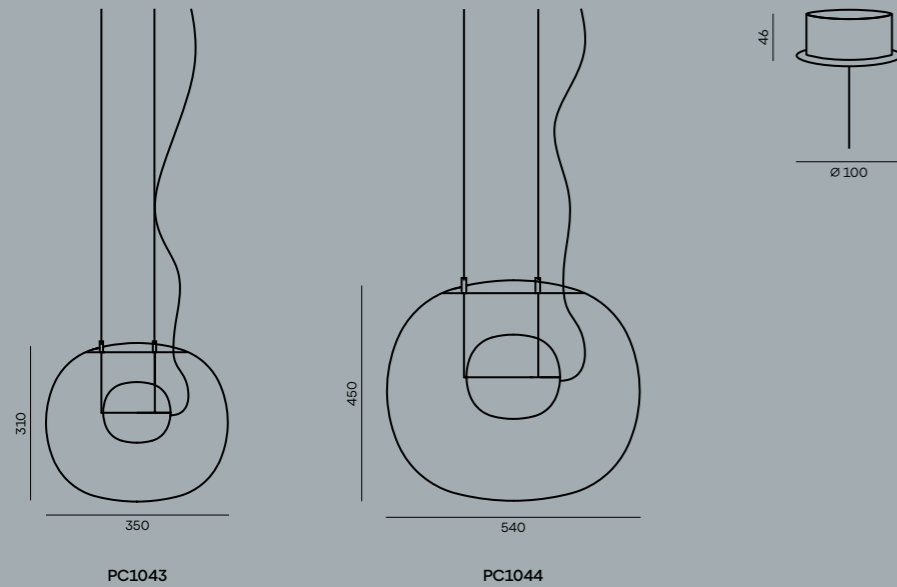
**PC1105 + PC1096 (CGC45, CGSU881, CCS2354, CECL521, CEB2773)**

GLASS COLOUR: light pink – transparent glass  
 GLASS SURFACE: acid-etched both side surface  
 BODY FINISH: liquid metal coating – chrome  
 CABLE COLOUR: textile cable – black  
 RECOMMENDED BULBS: 230V, G9, 4.5W, 2700K, DIM

p. 147 | PH794

**PC1104 + 3\*PC1095 (CGC46, CGSU881, CCS2353, CCSC2362, CECL521, CEB2773)**

GLASS COLOUR: light pink – transparent glass  
 GLASS SURFACE: acid-etched both side surface  
 BODY FINISH: liquid metal coating – copper  
 CANOPY FINISH: liquid metal coating – copper  
 CABLE COLOUR: textile cable – white  
 RECOMMENDED BULBS: 230V, G9, 4.5W, 2700K, DIM



p. 149 | PH6869

**PC1044 (CGC516, CGSU66, CGCI685, CGSUI905, CCS68, CCSC974, CECL519, CEB1828)**

GLASS COLOUR: smoke grey – transparent glass  
 GLASS SURFACE: glossy surface  
 INNER GLASS COLOUR: smoke grey – transparent glass  
 INNER GLASS FINISH: acid-etched both side surface  
 BODY FINISH: brushed stainless steel  
 CANOPY FINISH: brushed stainless steel  
 CABLE COLOUR: textile cable – black  
 RECOMMENDED BULBS: 230V, G9, 4.5W, 2700K, DIM

**PC1043 (CGC23, CGSU66, CGCI685, CGSUI905, CCS68, CCSC974, CECL519, CEB1828)**

GLASS COLOUR: transparent glass  
 GLASS SURFACE: glossy surface  
 INNER GLASS COLOUR: smoke grey – transparent glass  
 INNER GLASS FINISH: acid-etched both side surface  
 BODY FINISH: brushed stainless steel  
 CANOPY FINISH: brushed stainless steel  
 CABLE COLOUR: textile cable – black  
 RECOMMENDED BULBS: 230V, G9, 4.5W, 2700K, DIM

p. 150—151 | PH1171

**2×PC1043 (CGC516, CGSU66, CGCI907, GSUI905, CCS68, CCSC974, CECL519, CEB1828)**

GLASS COLOUR: smoke grey – transparent glass  
 GLASS SURFACE: glossy surface  
 INNER GLASS COLOUR: triplex opal  
 INNER GLASS FINISH: acid-etched both side surface  
 BODY FINISH: brushed stainless steel  
 CANOPY FINISH: brushed stainless steel  
 CABLE COLOUR: textile cable – black  
 RECOMMENDED BULBS: 230V, G9, 4.5W, 2700K, DIM

**PC1044 (CGC23, CGSU66, CGCI907, CGSUI905, CCS68, CCSC974, CECL519, CEB1828)**

GLASS COLOUR: transparent glass  
 GLASS SURFACE: glossy surface  
 INNER GLASS COLOUR: triplex opal  
 INNER GLASS FINISH: acid-etched both side surface  
 BODY FINISH: brushed stainless steel  
 CANOPY FINISH: brushed stainless steel  
 CABLE COLOUR: textile cable – black  
 RECOMMENDED BULBS: 230V, G9, 4.5W, 2700K, DIM

p. 152 | PH1170

**2×PC1043—PC1044 (CGC516, CGSU66, CGCI907, CGSUI905, CCS68, CCSC974, CECL519, CEB1828)**

GLASS COLOUR: smoke grey – transparent glass  
 GLASS SURFACE: glossy surface  
 INNER GLASS COLOUR: triplex opal  
 INNER GLASS FINISH: acid-etched both side surface  
 BODY FINISH: brushed stainless steel  
 CANOPY FINISH: brushed stainless steel  
 CABLE COLOUR: textile cable – black  
 RECOMMENDED BULBS: 230V, G9, 4.5W, 2700K, DIM

**PC1044 (CGC23, CGSU66, CGCI913, CGSUI905, CCS68, CCSC974, CECL519, CEB1828)**

GLASS COLOUR: transparent glass  
 GLASS SURFACE: glossy surface  
 INNER GLASS COLOUR: red – transparent glass  
 INNER GLASS FINISH: acid-etched both side surface  
 BODY FINISH: brushed stainless steel  
 CANOPY FINISH: brushed stainless steel  
 CABLE COLOUR: textile cable – black  
 RECOMMENDED BULBS: 230V, G9, 4.5W, 2700K, DIM

p. 153 | PH703

**PC1044 (CGC23, CGSU66, CGCI913, CGSUI905, CCS68, CCSC974, CECL1918, CEB1828)**

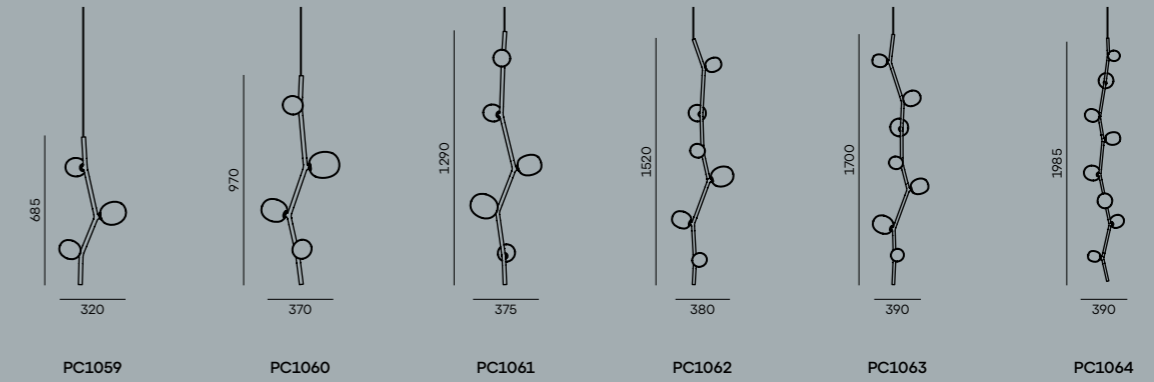
GLASS COLOUR: transparent glass  
 GLASS SURFACE: glossy surface  
 INNER GLASS COLOUR: red – transparent glass  
 INNER GLASS FINISH: acid-etched both side surface  
 BODY FINISH: brushed stainless steel  
 CANOPY FINISH: brushed stainless steel  
 CABLE COLOUR: textile cable – light grey  
 RECOMMENDED BULBS: 230V, G9, 4.5W, 2700K, DIM

p. 154—155 | PH1400

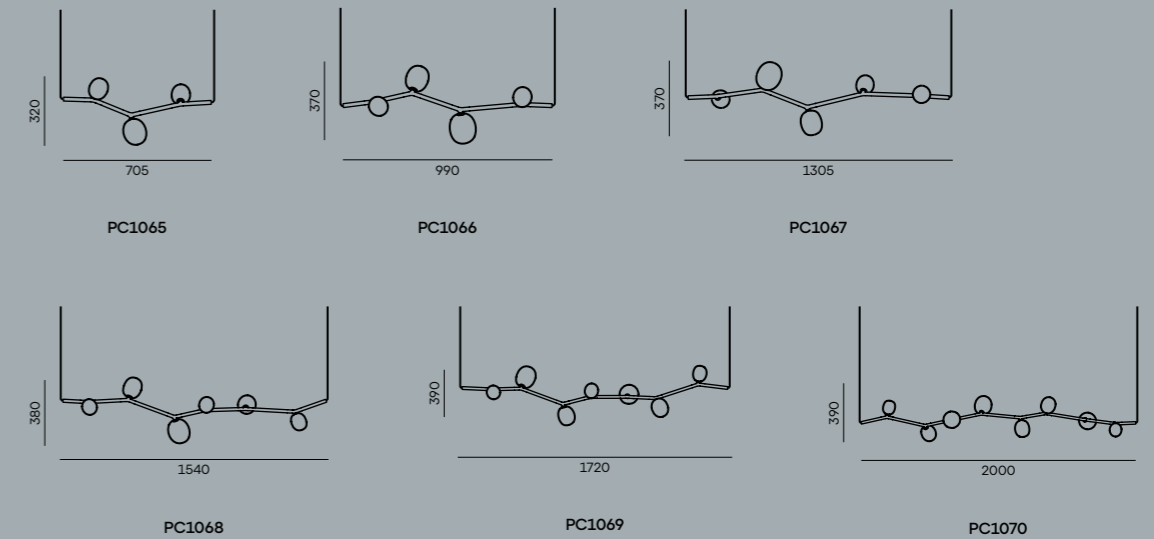
**2×PC1044 (CGC23, CGSU66, CGCI907, CGSUI905, CCS68, CCSC974, CECL519, CEB1828)**

GLASS COLOUR: transparent glass  
 GLASS SURFACE: glossy surface  
 INNER GLASS COLOUR: triplex opal  
 INNER GLASS FINISH: acid-etched both side surface  
 BODY FINISH: brushed stainless steel  
 CANOPY FINISH: brushed stainless steel  
 CABLE COLOUR: textile cable – black  
 RECOMMENDED BULBS: 230V, G9, 4.5W, 2700K, DIM

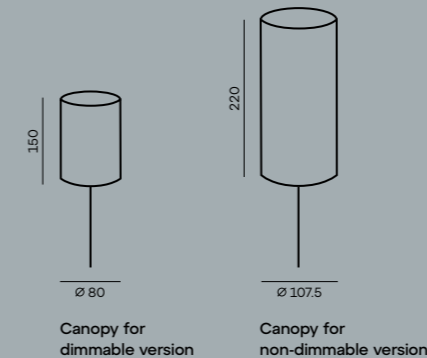
## IVY VERTICAL



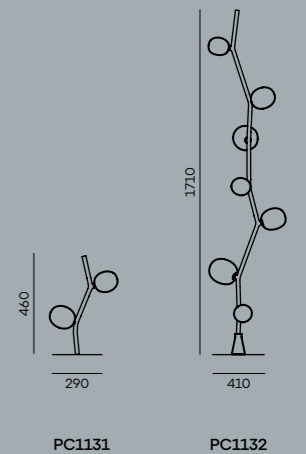
## IVY HORIZONTAL



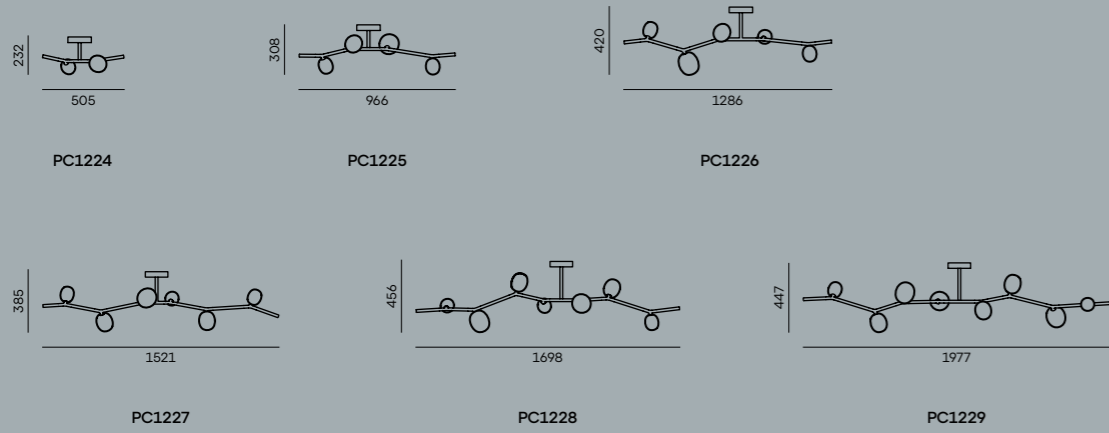
Canopy for Ivy Vertical and Ivy Horizontal



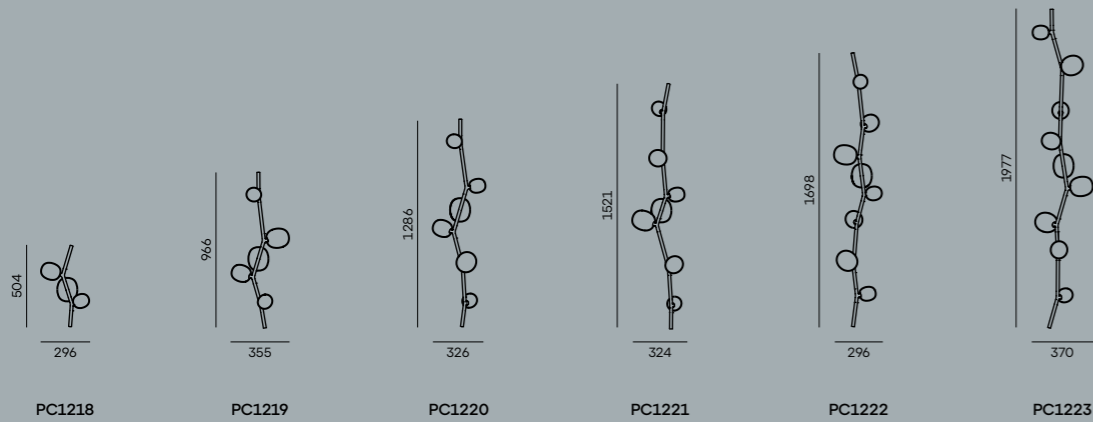
## IVY FLOOR



IVY CEILING

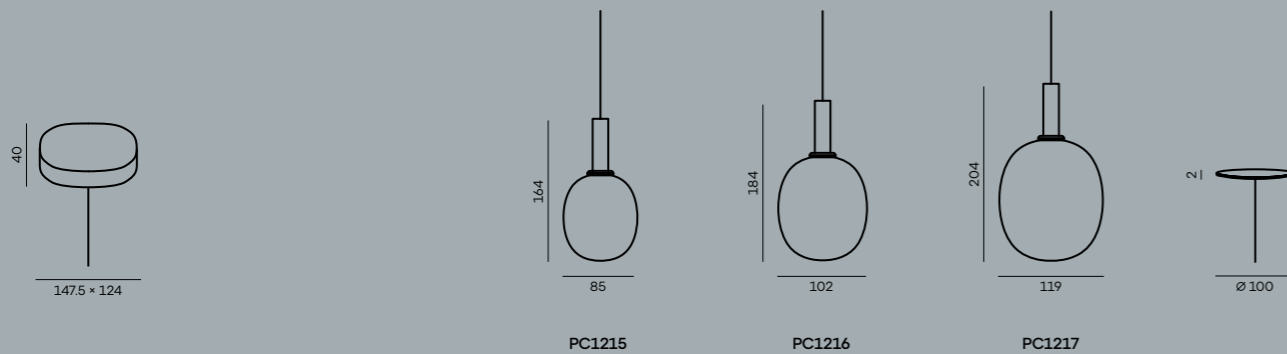


IVY WALL



Canopy for Ivy Ceiling and Ivy Wall

IVY SINGLE



p. 157 | PH753  
**PC1060—PC1063—PC1064—PC1061—PC1059 (CGSU881, CCS2811, CCSC2812, CECL519, CEB1818)**  
 GLASS COLOUR: triplex opal (CGC39), light pink – transparent glass (CGC46), smoke grey – transparent glass (CGC516)  
 GLASS SURFACE: acid-etched both side surface  
 BODY FINISH: metal – anthracite grey matte powder coating with structure  
 CANOPY FINISH: metal – anthracite grey matte powder coating with structure  
 CABLE COLOUR: textile cable – black  
 RECOMMENDED BULBS: 12V, G4, 1.2W, 2700K, 91lm, DIM

p. 158 | PH1394  
**PC1131 (CGC39, CGSU881, CCS2811, CECL2719, CEB1818)**  
 GLASS COLOUR: triplex opal  
 GLASS SURFACE: acid-etched both side surface  
 BODY FINISH: metal – anthracite grey matte powder coating with structure  
 CABLE COLOUR: cable without textile – black  
 RECOMMENDED BULBS: 12V, G4, 1.2W, 2700K, 91lm, DIM

p. 159 | PH1395  
**PC1132 (CGC39, CGSU881, CCS2809, CECL2719, CEB1818)**  
 GLASS COLOUR: triplex opal  
 GLASS SURFACE: acid-etched both side surface  
 BODY FINISH: metal – white matte powder coating with structure  
 CABLE COLOUR: cable without textile – black  
 RECOMMENDED BULBS: 12V, G4, 1.2W, 2700K, 91lm, DIM

p. 160—161 | PH1397  
**PC1069—PC1068 (CGC39, CGSU881, CCS2811, CCSC2812, CECL519, CEB1818)**  
 GLASS COLOUR: triplex opal  
 GLASS SURFACE: acid-etched both side surface  
 BODY FINISH: metal – anthracite grey matte powder coating with structure  
 CANOPY FINISH: metal – anthracite grey matte powder coating with structure  
 CABLE COLOUR: textile cable – black  
 RECOMMENDED BULBS: 12V, G4, 1.2W, 2700K, 91lm, DIM

p. 162 | PH3797  
**PC1229 (CGC516, CGSU881, CCS2675, CEB1818)**  
 GLASS COLOUR: smoke grey – transparent glass  
 GLASS SURFACE: acid-etched both side surface  
 BODY FINISH: metal – anthracite grey matte powder coating  
 RECOMMENDED BULBS: 12V, G4, 1.2W, 2700K, 91lm, DIM

163 | PH750  
**3×PC1060 (CGC39, CGSU881, CCS2809, CCSC2810, CECL521, CEB1818)**  
 GLASS COLOUR: triplex opal  
 GLASS SURFACE: acid-etched both side surface  
 BODY FINISH: metal – white matte powder coating with structure  
 CANOPY FINISH: metal – white matte powder coating with structure  
 CABLE COLOUR: textile cable – white  
 RECOMMENDED BULBS: 12V, G4, 1.2W, 2700K, 91lm, DIM

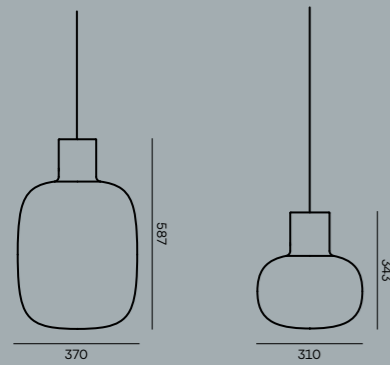
p. 164 | PH1396  
**PC1068 (CGSU881, CCS2811, CCSC2812, CECL519, CEB1818)**  
 GLASS COLOUR: triplex opal (CGC39), smoke grey – transparent glass (CGC516), triplex opal (CGC39)  
 GLASS SURFACE: acid-etched both side surface  
 BODY FINISH: metal – anthracite grey matte powder coating with structure  
 CANOPY FINISH: metal – anthracite grey matte powder coating with structure  
 CABLE COLOUR: textile cable – black  
 RECOMMENDED BULBS: 12V, G4, 1.2W, 2700K, 91lm, DIM

p. 165 | PH3871  
**PC1218 (CGC39, CGSU881, CCS2809, CEB1818)**  
 GLASS COLOUR: triplex opal  
 GLASS SURFACE: acid-etched both side surface  
 BODY FINISH: metal – white matte powder coating with structure  
 RECOMMENDED BULBS: 12V, G4, 1.2W, 2700K, 91lm, DIM

p. 166 | PH3883  
**PC1217 (CGC46, CGSU881, CCS2809, CECL2772, CEB1818)**  
 GLASS COLOUR: light pink – transparent glass  
 GLASS SURFACE: acid-etched both side surface  
 BODY FINISH: metal – white matte powder coating with structure  
 CABLE COLOUR: coaxial cable – silver  
 RECOMMENDED BULBS: 12V, G4, 1.2W, 2700K, 91lm, DIM

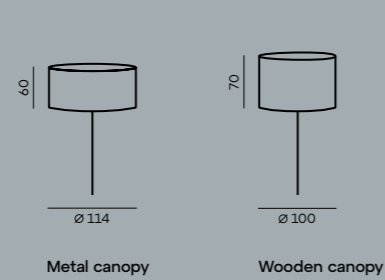
p. 167 | PH4815  
**6×PC1215—6×PC1217 (CGSU881, CCS2809, CECL2772, CEB1818)**  
 GLASS COLOUR: light pink – transparent glass (CGC46), triplex opal (CGC39)  
 GLASS SURFACE: acid-etched both side surface  
 BODY FINISH: metal – white matte powder coating with structure  
 CABLE COLOUR: coaxial cable – silver  
 RECOMMENDED BULBS: 12V, G4, 1.2W, 2700K, 91lm, DIM

p. 241 | PH6259  
**PC1131 (CGC516, CGSU881, CCS2811, CEB1818)**  
 GLASS COLOUR: smoke grey – transparent glass  
 GLASS SURFACE: acid-etched both side surface  
 BODY FINISH: metal – anthracite grey matte powder coating with structure  
 RECOMMENDED BULBS: 12V, G4, 1.2W, 2700K, 91lm, DIM



PC1130

PC1129



Metal canopy

Wooden canopy

p. 169 | PH666

**PC1130 (CGC23, CGSU66, CCS757, CCSC842, CECL1918, CEB2671)**

GLASS COLOUR: transparent glass

GLASS SURFACE: glossy surface

BODY FINISH: American walnut – natural waxed

CANOPY FINISH: American walnut – natural waxed

CABLE COLOUR: textile cable – light grey

RECOMMENDED BULBS: 230V, LED, E27, 6W, 2000K, 200lm, RA90, DIM – FILAMENT LED

p. 170 | PH1388

**PC1129 – PC1130 (CGC516, CGSU66, CCS775, CCSC843, CECL519, CEB2671)**

GLASS COLOUR: smoke grey – transparent glass

GLASS SURFACE: glossy surface

BODY FINISH: aluminium

CANOPY FINISH: aluminium

CABLE COLOUR: textile cable – black

RECOMMENDED BULBS: 230V, LED, E27, 6W, 2000K, 200lm, RA90, DIM – FILAMENT LED

**PC1129 (CGC23, CGSU66, CCS775, CCSC843, CECL519, CEB2671)**

GLASS COLOUR: transparent glass

GLASS SURFACE: glossy surface

BODY FINISH: aluminium

CANOPY FINISH: aluminium

CABLE COLOUR: textile cable – black

RECOMMENDED BULBS: 230V, LED, E27, 6W, 2000K, 200lm, RA90, DIM – FILAMENT LED

p. 171 | PH668

**PC1130 – PC1129 (CGC516, CGSU66, CCS757, CCSC842, CECL519, CEB2671)**

GLASS COLOUR: smoke grey – transparent glass

GLASS SURFACE: glossy surface

BODY FINISH: American walnut – natural waxed

CANOPY FINISH: American walnut – natural waxed

CABLE COLOUR: textile cable – black

RECOMMENDED BULBS: 230V, LED, E27, 6W, 2000K, 200lm, RA90, DIM – FILAMENT LED

p. 172—173 | PH670

**PC1129 (CGC23, CGSU66, CCS584, CCSC896, CECL1918, CEB2671)**

GLASS COLOUR: transparent glass

GLASS SURFACE: glossy surface

BODY FINISH: copper

CANOPY FINISH: copper

CABLE COLOUR: textile cable – light grey

RECOMMENDED BULBS: 230V, LED, E27, 6W, 2000K, 200lm, RA90, DIM – FILAMENT LED

**PC1129 (CGC516, CGSU66, CCS775, CCSC843, CECL519, CEB2671)**

GLASS COLOUR: smoke grey – transparent glass

GLASS SURFACE: glossy surface

BODY FINISH: aluminium

CANOPY FINISH: aluminium

CABLE COLOUR: textile cable – black

RECOMMENDED BULBS: 230V, LED, E27, 6W, 2000K, 200lm, RA90, DIM – FILAMENT LED

**PC1130 (CGC538, CGSU66, CCS584, CCSC896, CECL1918, CEB2671)**

GLASS COLOUR: smoke brown – transparent glass

GLASS SURFACE: glossy surface

BODY FINISH: copper

CANOPY FINISH: copper

CABLE COLOUR: textile cable – light grey

RECOMMENDED BULBS: 230V, LED, E27, 6W, 2000K, 200lm, RA90, DIM – FILAMENT LED

p. 174 | PH669

**PC1129 (CGC538, CGSU66, CCS584, CCSC896, CECL1918, CEB2671)**

GLASS COLOUR: smoke brown – transparent glass

GLASS SURFACE: glossy surface

BODY FINISH: copper

CANOPY FINISH: copper

CABLE COLOUR: textile cable – light grey

RECOMMENDED BULBS: 230V, LED, E27, 6W, 2000K, 200lm, RA90, DIM – FILAMENT LED

p. 175 | PH1392

**PC1130 – 2×PC1129 (CGC516, CGSU66, CCS757, CCSC842, CECL519, CEB2671)**

GLASS COLOUR: smoke grey – transparent glass

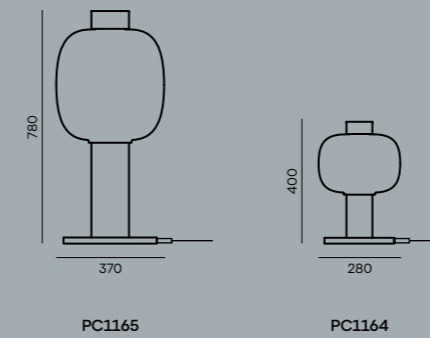
GLASS SURFACE: glossy surface

BODY FINISH: American walnut – natural waxed

CANOPY FINISH: American walnut – natural waxed

CABLE COLOUR: textile cable – black

RECOMMENDED BULBS: 230V, LED, E27, 6W, 2000K, 200lm, RA90, DIM – FILAMENT LED



PC1165

PC1164

p. 177 | PH2562

**PC1164 (CGC38, CGSU66, CCS2749, CECL519, CEB2750)**

GLASS COLOUR: opaline – transparent glass

GLASS SURFACE: glossy surface

BODY FINISH: grey metallic

CABLE COLOUR: textile cable – black

RECOMMENDED BULBS: 230V, E27, 12W, 2800K, 750lm, RA90, 360°, DIM

p. 178—179 | PH3865

**PC1164 (CGC516, CGSU66, CCS846, CECL519, CEB2750)**

GLASS COLOUR: smoke grey – transparent glass

GLASS SURFACE: glossy surface

BODY FINISH: metal – black matte powder coating

CABLE COLOUR: textile cable – black

RECOMMENDED BULBS: 230V, E27, 12W, 2800K, 750lm, RA90, 360°, DIM

**PC1164 (CGC538, CGSU66, CCS2748, CECL519, CEB2750)**

GLASS COLOUR: smoke brown – transparent glass

GLASS SURFACE: glossy surface

BODY FINISH: copper metallic

CABLE COLOUR: textile cable – black

RECOMMENDED BULBS: 230V, E27, 12W, 2800K, 750lm, RA90, 360°, DIM

**PC1164 (CGC39, CGSU66, CCS2749, CECL519, CEB2750)**

GLASS COLOUR: triplex opal

GLASS SURFACE: glossy surface

BODY FINISH: grey metallic

CABLE COLOUR: textile cable – black

RECOMMENDED BULBS: 230V, E27, 12W, 2800K, 750lm, RA90, 360°, DIM

p. 180—181 | PH3855

**PC1165 (CGC538, CGSU66, CCS2748, CECL519, CEB2750)**

GLASS COLOUR: smoke brown – transparent glass

GLASS SURFACE: glossy surface

BODY FINISH: copper metallic

CABLE COLOUR: textile cable – black

RECOMMENDED BULBS: 230V, E27, 12W, 2800K, 750lm, RA90, 360°, DIM

p. 182 | PH3794

**PC1164 (CGC39, CGSU66, CCS846, CECL519, CEB2750)**

GLASS COLOUR: triplex opal

GLASS SURFACE: glossy surface

BODY FINISH: metal – black matte powder coating

CABLE COLOUR: textile cable – black

RECOMMENDED BULBS: 230V, E27, 12W, 2800K, 750lm, RA90, 360°, DIM

**PC1165 (CGC538, CGSU66, CCS2748, CECL519, CEB2750)**

GLASS COLOUR: smoke brown – transparent glass

GLASS SURFACE: glossy surface

BODY FINISH: copper metallic

CABLE COLOUR: textile cable – black

RECOMMENDED BULBS: 230V, E27, 12W, 2800K, 750lm, RA90, 360°, DIM

**PC1165 (CGC516, CGSU66, CCS846, CECL519, CEB2750)**

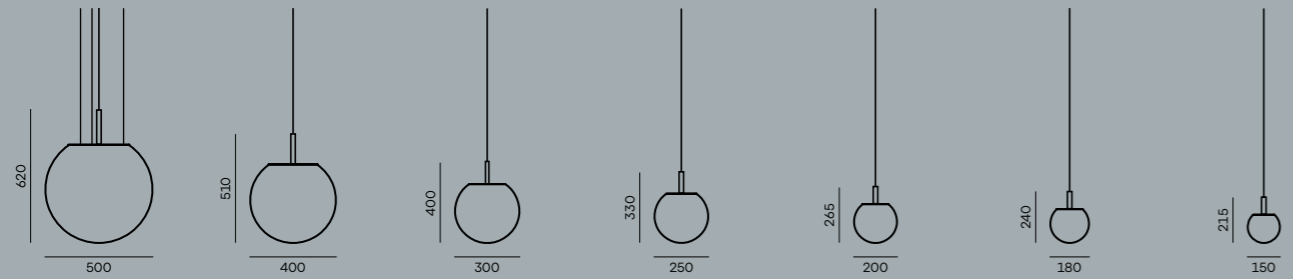
GLASS COLOUR: smoke grey – transparent glass

GLASS SURFACE: glossy surface

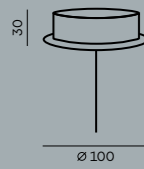
BODY FINISH: metal – black matte powder coating

CABLE COLOUR: textile cable – black

RECOMMENDED BULBS: 230V, E27, 12W, 2800K, 750lm, RA90, 360°, DIM



PC1172 PC1171 PC1170 PC1169 PC1147 PC1146 PC1168



∅ 100

p. 185 | PH6995  
**PC1171 (CGC39, CGSU67, CCS846, CCSC619, CECL519)**  
 GLASS COLOUR: triplex opal  
 GLASS SURFACE: acid-etched outside surface  
 BODY FINISH: metal – black matte powder coating  
 CANOPY FINISH: metal – black matte powder coating  
 CABLE COLOUR: textile cable – black

p. 186—187 | PH6806  
**7\*PC1171 (CGC39, CGSU881, CCS846, CCSC619, CECL519)**  
 GLASS COLOUR: triplex opal  
 GLASS SURFACE: acid-etched both side surface  
 BODY FINISH: metal – black matte powder coating  
 CANOPY FINISH: metal – black matte powder coating  
 CABLE COLOUR: textile cable – black

p. 188 | PH3799  
**PC1170 (CGC39, CGSU881, CCS846, CCSC619, CECL519)**  
 GLASS COLOUR: triplex opal  
 GLASS SURFACE: acid-etched both side surface  
 BODY FINISH: metal – black matte powder coating  
 CANOPY FINISH: metal – black matte powder coating  
 CABLE COLOUR: textile cable – black

**PC1246 (CGC39, CGSU881, CCS846, CCSC619, CECL519)**  
 GLASS COLOUR: triplex opal  
 GLASS SURFACE: acid-etched both side surface  
 BODY FINISH: metal – black matte powder coating  
 CANOPY FINISH: metal – black matte powder coating  
 CABLE COLOUR: textile cable – black

**PC1247 (CGC39, CGSU881, CCS846, CCSC619, CECL519)**  
 GLASS COLOUR: triplex opal  
 GLASS SURFACE: acid-etched both side surface  
 BODY FINISH: metal – black matte powder coating  
 CANOPY FINISH: metal – black matte powder coating  
 CABLE COLOUR: textile cable – black

**PC1172 (CGC39, CGSU67, CCS846, CCSC619, CECL519)**  
 GLASS COLOUR: triplex opal  
 GLASS SURFACE: acid-etched outside surface  
 BODY FINISH: metal – black matte powder coating  
 CANOPY FINISH: metal – black matte powder coating  
 CABLE COLOUR: textile cable – black

**PC1168 (CGC39, CGSU881, CCS846, CCSC619, CECL519)**  
 GLASS COLOUR: triplex opal  
 GLASS SURFACE: acid-etched both side surface  
 BODY FINISH: metal – black matte powder coating  
 CANOPY FINISH: metal – black matte powder coating  
 CABLE COLOUR: textile cable – black

**PC1169 (CGC39, CGSU881, CCS846, CCSC619, CECL519)**  
 GLASS COLOUR: triplex opal  
 GLASS SURFACE: acid-etched both side surface  
 BODY FINISH: metal – black matte powder coating  
 CANOPY FINISH: metal – black matte powder coating  
 CABLE COLOUR: textile cable – black

p. 189 | PH3177  
**3\*PC1169 (CGC39, CGSU881, CCS846, CCSC619, CECL519)**  
 GLASS COLOUR: triplex opal  
 GLASS SURFACE: acid-etched both side surface  
 BODY FINISH: metal – black matte powder coating  
 CANOPY FINISH: metal – black matte powder coating  
 CABLE COLOUR: textile cable – black

p. 190—191 | PH3803  
**PC1168 (CGC39, CGSU881, CCS845, CCSC618, CECL521)**  
 GLASS COLOUR: triplex opal  
 GLASS SURFACE: acid-etched both side surface  
 BODY FINISH: metal – white matte powder coating  
 CANOPY FINISH: metal – white matte powder coating  
 CABLE COLOUR: textile cable – white

**PC1247 (CGC39, CGSU881, CCS845, CCSC618, CECL521)**  
 GLASS COLOUR: triplex opal  
 GLASS SURFACE: acid-etched both side surface  
 BODY FINISH: metal – white matte powder coating  
 CANOPY FINISH: metal – white matte powder coating  
 CABLE COLOUR: textile cable – white

**PC1169 (CGC39, CGSU881, CCS846, CCSC619, CECL519)**  
 GLASS COLOUR: triplex opal  
 GLASS SURFACE: acid-etched both side surface  
 BODY FINISH: metal – black matte powder coating  
 CANOPY FINISH: metal – black matte powder coating  
 CABLE COLOUR: textile cable – black

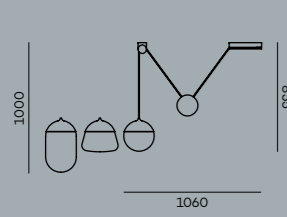
**PC1172 (CGC39, CGSU67, CCS845, CCSC618, CECL521)**  
 GLASS COLOUR: triplex opal  
 GLASS SURFACE: acid-etched outside surface  
 BODY FINISH: metal – white matte powder coating  
 CANOPY FINISH: metal – white matte powder coating  
 CABLE COLOUR: textile cable – white

**PC1246 (CGC39, CGSU881, CCS845, CCSC618, CECL521)**  
 GLASS COLOUR: triplex opal  
 GLASS SURFACE: acid-etched both side surface  
 BODY FINISH: metal – white matte powder coating  
 CANOPY FINISH: metal – white matte powder coating  
 CABLE COLOUR: textile cable – white

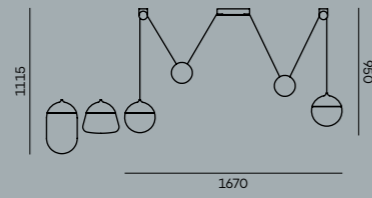
**PC1170 (CGC39, CGSU881, CCS846, CCSC619, CECL519)**  
 GLASS COLOUR: triplex opal  
 GLASS SURFACE: acid-etched both side surface  
 BODY FINISH: metal – black matte powder coating  
 CANOPY FINISH: metal – black matte powder coating  
 CABLE COLOUR: textile cable – black



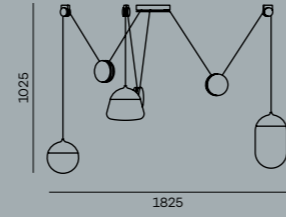




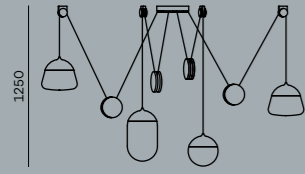
PC1234



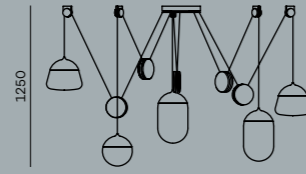
PC1235



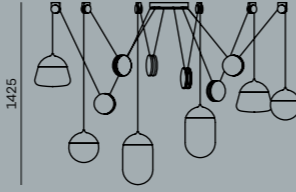
PC1236



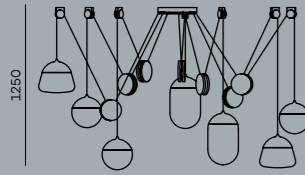
PC1237



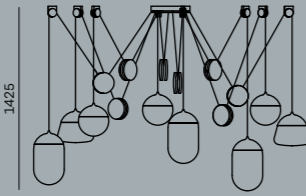
PC1238



PC1239



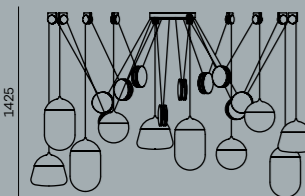
PC1240



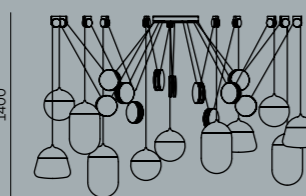
PC1241



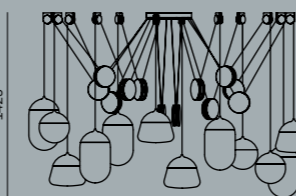
PC1242



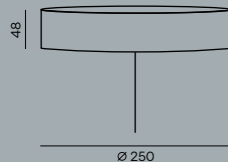
PC1243



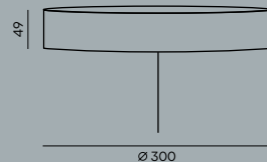
PC1244



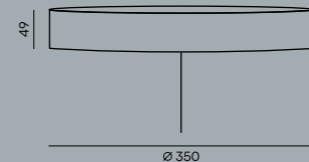
PC1245



Canopy  
for PC1234-PC1237



Canopy  
for PC1238-PC1241



Canopy  
for PC1242-PC1245

p. 203 | PH5711  
**PC1234 (CCSC618)**  
 CANOPY FINISH:  
 metal – white matte powder coating  
**(CGC39, CGSU881, CCS845, CECL521, LEDS2775)**  
 GLASS COLOUR: triplex opal  
 GLASS SURFACE: acid-etched both side surface  
 BODY FINISH: metal – white matte powder coating  
 CABLE COLOUR: textile cable – white  
 LED SOURCE: 300mA, LED, 15W, 2700K, RA90, DIM

p. 207 | PH3634  
**PC1236 (CCSC619)**  
 CANOPY FINISH:  
 metal – black matte powder coating  
**(CGC516, CGSU881, CCS846, CECL519, LEDS2775)**  
 GLASS COLOUR: smoke grey – transparent glass  
 GLASS SURFACE: acid-etched both side surface  
 BODY FINISH: metal – black matte powder coating  
 CABLE COLOUR: textile cable – black  
 LED SOURCE: 300mA, LED, 15W, 2700K, RA90, DIM

p. 204—205 | PH5701  
**PC1242 (CCSC618)**  
 CANOPY FINISH:  
 metal – white matte powder coating  
**(CGC39, CGSU881, CCS845, CECL521, LEDS2775)**  
 GLASS COLOUR: triplex opal  
 GLASS SURFACE: acid-etched both side surface  
 BODY FINISH: metal – white matte powder coating  
 CABLE COLOUR: textile cable – white  
 LED SOURCE: 300mA, LED, 15W, 2700K, RA90, DIM

p. 208—209 | PH1659  
**PC1236 (CCSC619)**  
 CANOPY FINISH:  
 metal – black matte powder coating  
**(CGC516, CGSU881, CCS846, CECL519, LEDS2775)**  
 GLASS COLOUR: smoke grey – transparent glass  
 GLASS SURFACE: acid-etched both side surface  
 BODY FINISH: metal – black matte powder coating  
 CABLE COLOUR: textile cable – black  
 LED SOURCE: 300mA, LED, 15W, 2700K, RA90, DIM

p. 206 | PH5702  
**PC1237 (CCSC618)**  
 CANOPY FINISH:  
 metal – white matte powder coating  
**(CGC39, CGSU881, CCS845, CECL521, LEDS2775)**  
 GLASS COLOUR: triplex opal  
 GLASS SURFACE: acid-etched both side surface  
 BODY FINISH: metal – white matte powder coating  
 CABLE COLOUR: textile cable – white  
 LED SOURCE: 300mA, LED, 15W, 2700K, RA90, DIM

**BIG ONE**

p. 13 | PH5458

**PC1044 (CGC516, CGSU66, CGCI907, CGSUI905, CCS68, CCSC974, CECL1918, CEB1828)**

GLASS COLOUR: smoke grey – transparent glass

GLASS SURFACE: glossy surface

INNER GLASS COLOUR: triplex opal

INNER GLASS FINISH: acid-etched

both side surface

BODY FINISH: brushed stainless steel

CANOPY FINISH: brushed stainless steel

CABLE COLOUR: textile cable – light grey

RECOMMENDED BULBS: 230V, G9, 4.5W, 2700K, DIM

**PC1043 (CGC516, CGSU66, CGCI907, CGSUI905, CCS68, CCSC974, CECL1918, CEB1828)**

GLASS COLOUR: smoke grey – transparent glass

GLASS SURFACE: glossy surface

INNER GLASS COLOUR: triplex opal

INNER GLASS FINISH: acid-etched

both side surface

BODY FINISH: brushed stainless steel

CANOPY FINISH: brushed stainless steel

CABLE COLOUR: textile cable – light grey

RECOMMENDED BULBS: 230V, G9, 4.5W, 2700K, DIM

**PC1043 (CGC23, CGSU66, CGCI907, CGSUI905, CCS68, CCSC974, CECL1918, CEB1828)**

GLASS COLOUR: transparent glass

GLASS SURFACE: glossy surface

INNER GLASS COLOUR: triplex opal

INNER GLASS FINISH: acid-etched

both side surface

BODY FINISH: brushed stainless steel

CANOPY FINISH: brushed stainless steel

CABLE COLOUR: textile cable – light grey

RECOMMENDED BULBS: 230V, G9, 4.5W, 2700K, DIM

**BALLOONS**

p. 13 | PH5458

**PC858 (CGC516, CGSU66, CCS275, CECL519, CEB782)**

GLASS COLOUR: smoke grey – transparent glass

GLASS SURFACE: glossy surface

BODY FINISH: chrome

CABLE COLOUR: textile cable – black

RECOMMENDED BULBS: 230V, LED, E27, 6W,

2200K, 400lm, RA90, 360°, DIM

**PC856 (CGC538, CGSU66, CCS69, CECL519, CEB925)**

GLASS COLOUR: smoke brown – transparent glass

GLASS SURFACE: glossy surface

BODY FINISH: brass

CABLE COLOUR: textile cable – black

RECOMMENDED BULBS: 230V, LED, E14, 4.7W,

2200K, 280lm, RA90, 360°, DIM

**PC857 (CGC23, CGSU66, CCS275, CECL519, CEB782)**

GLASS COLOUR: transparent glass

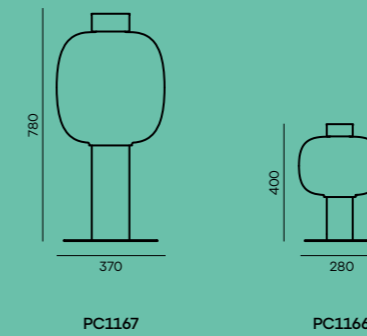
GLASS SURFACE: glossy surface

BODY FINISH: chrome

CABLE COLOUR: textile cable – black

RECOMMENDED BULBS: 230V, LED, E27, 6W,

2200K, 400lm, RA90, 360°, DIM



p. 213 | PH2574

**PC1166 (CGC516, CGSU66, CCS846, CEB2750)**

GLASS COLOUR: smoke grey – transparent glass

GLASS SURFACE: glossy surface

BODY FINISH: metal – black matte powder coating

RECOMMENDED BULBS: 230V, E27, 12W, 2800K, 750lm, RA90, 360°, DIM

p. 214 | PH2571

**PC1166 (CGC516, CGSU66, CCS2748, CEB2750)**

GLASS COLOUR: smoke grey – transparent glass

GLASS SURFACE: glossy surface

BODY FINISH: copper metallic

RECOMMENDED BULBS: 230V, E27, 12W, 2800K, 750lm, RA90, 360°, DIM

p. 215 | PH3556

**PC1166 (CGC38, CGSU66, CCS2749, CEB2750)**

GLASS COLOUR: opaline – transparent glass

GLASS SURFACE: glossy surface

BODY FINISH: grey metallic

RECOMMENDED BULBS: 230V, E27, 12W, 2800K, 750lm, RA90, 360°, DIM

**PC1166 (CGC538, CGSU66, CCS2748, CEB2750)**

GLASS COLOUR: smoke brown – transparent glass

GLASS SURFACE: glossy surface

BODY FINISH: copper metallic

RECOMMENDED BULBS: 230V, E27, 12W, 2800K, 750lm, RA90, 360°, DIM

p. 216—217 | PH2576

**PC1166 (CGC516, CGSU66, CCS846, CEB2750)**

GLASS COLOUR: smoke grey – transparent glass

GLASS SURFACE: glossy surface

BODY FINISH: metal – black matte powder coating

RECOMMENDED BULBS: 230V, E27, 12W, 2800K, 750lm, RA90, 360°, DIM

**PC1166 (CGC538, CGSU66, CCS2748, CEB2750)**

GLASS COLOUR: smoke brown – transparent glass

GLASS SURFACE: glossy surface

BODY FINISH: copper metallic

RECOMMENDED BULBS: 230V, E27, 12W, 2800K, 750lm, RA90, 360°, DIM

**PC1166 (CGC38, CGSU66, CCS2749, CEB2750)**

GLASS COLOUR: opaline – transparent glass

GLASS SURFACE: glossy surface

BODY FINISH: grey metallic

RECOMMENDED BULBS: 230V, E27, 12W, 2800K, 750lm, RA90, 360°, DIM

p. 218 | PH3492

**PC1167—PC1166 (CGC538, CGSU66, CCS2748, CEB2750)**

GLASS COLOUR: smoke brown – transparent glass

GLASS SURFACE: glossy surface

BODY FINISH: copper metallic

RECOMMENDED BULBS: 230V, E27, 12W, 2800K, 750lm, RA90, 360°, DIM

p. 219 | PH3853

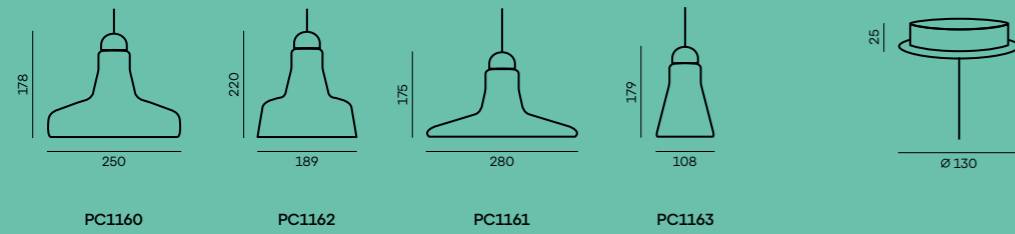
**PC1167 (CGC516, CGSU66, CCS846, CEB2750)**

GLASS COLOUR: smoke grey – transparent glass

GLASS SURFACE: glossy surface

BODY FINISH: metal – black matte powder coating

RECOMMENDED BULBS: 230V, E27, 12W, 2800K, 750lm, RA90, 360°, DIM



p. 221 | PH2267

**PC1163 — PC1161 — PC1160 — PC1162**  
**(CGC516, CGSU66, CCS1948, CCSC974,**  
**CECL2758, CEB2761)**

GLASS COLOUR: smoke grey – transparent glass  
 GLASS SURFACE: glossy surface  
 BODY FINISH: black anodized  
 CANOPY FINISH: brushed stainless steel  
 CABLE COLOUR: silicone cable – black  
 RECOMMENDED BULBS: 230V, LED, GU10, 6.5W,  
 2700K, DIM

p. 222 | PH2269

**PC1162 — PC1163 (CGC38, CGSU66,**  
**CCS1917, CCSC974, CECL2757, CEB2761)**

GLASS COLOUR: opaline – transparent glass  
 GLASS SURFACE: glossy surface  
 BODY FINISH: silver anodized  
 CANOPY FINISH: brushed stainless steel  
 CABLE COLOUR: silicone cable – white  
 RECOMMENDED BULBS: 230V, LED, GU10, 6.5W,  
 2700K, DIM

p. 223 | PH2958

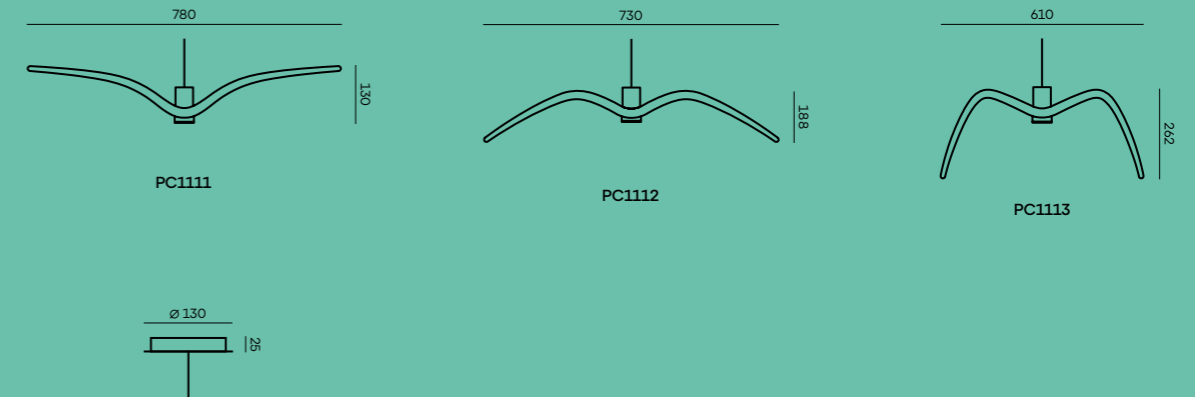
**PC1160 — 2×PC1163 — PC1161 — PC1162**  
**(CGC38, CGSU66, CCS1917, CCSC974,**  
**CECL2757, CEB2761)**

GLASS COLOUR: opaline – transparent glass  
 GLASS SURFACE: glossy surface  
 BODY FINISH: silver anodized  
 CANOPY FINISH: brushed stainless steel  
 CABLE COLOUR: silicone cable – white  
 RECOMMENDED BULBS: 230V, LED, GU10, 6.5W,  
 2700K, DIM

p. 224 — 225 | PH2960

**2×PC1163 — PC1160 — PC1162**  
**(CGC38, CGSU66, CCS1917, CCSC974,**  
**CECL2757, CEB2761)**

GLASS COLOUR: opaline – transparent glass  
 GLASS SURFACE: glossy surface  
 BODY FINISH: silver anodized  
 CANOPY FINISH: brushed stainless steel  
 CABLE COLOUR: silicone cable – white  
 RECOMMENDED BULBS: 230V, LED, GU10, 6.5W,  
 2700K, DIM



p. 227 | PH2383

**PC1113 — PC1112**  
**(CGC1480, CCS1948, CCSC974,**  
**CECL2758, CEB2761)**

GLASS COLOUR: smoke grey  
 BROKISGLASS matte  
 BODY FINISH: black anodized  
 CANOPY FINISH: brushed stainless steel  
 CABLE COLOUR: silicone cable – black  
 RECOMMENDED BULBS: 230V, LED, GU10, 6.5W,  
 2700K, DIM

p. 228 — 229 | PH3100

**PC1111 — PC1112 — PC1113**  
**(CGC772, CCS1917, CCSC974,**  
**CECL2757, CEB2761)**

GLASS COLOUR: opal – opaque glass – massif  
 BODY FINISH: silver anodized  
 CANOPY FINISH: brushed stainless steel  
 CABLE COLOUR: silicone cable – white  
 RECOMMENDED BULBS: 230V, LED, GU10, 6.5W,  
 2700K, DIM

p. 230 | PH2265

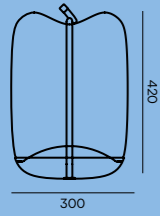
**PC1111 — PC1113 — PC1112**  
**(CGC882, CCS1948, CCSC974,**  
**CECL2758, CEB2761)**

GLASS COLOUR: smoke grey – massif  
 BODY FINISH: black anodized  
 CANOPY FINISH: brushed stainless steel  
 CABLE COLOUR: silicone cable – black  
 RECOMMENDED BULBS: 230V, LED, GU10, 6.5W,  
 2700K, DIM

p. 231 | PH2359

**3×PC1113 (CGC1478, CCS1917,**  
**CCSC974, CECL2757, CEB2761)**

GLASS COLOUR: triplex opal BROKISGLASS matte  
 BODY FINISH: silver anodized  
 CANOPY FINISH: brushed stainless steel  
 CABLE COLOUR: silicone cable – white  
 RECOMMENDED BULBS: 230V, LED, GU10, 6.5W,  
 2700K, DIM



PC1249

p. 235 | PH6263

**PC1249 (CGC516, CGSU66, CCS2673, CRP970, CECL2838, LEDS2836)**

GLASS COLOUR: smoke grey – transparent glass  
 GLASS SURFACE: glossy surface  
 BODY FINISH: black matte powder coating with structure  
 ROPE: natural  
 CABLE COLOUR: black charging cable  
 USB 2/Mag, 5V  
 LED SOURCE: 240mA, LED, 4W, 2700K, 950lm, RA80+, DIM

p. 236 | PH6873

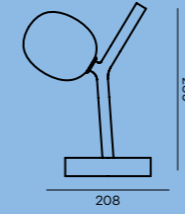
**PC1249 (CGC516, CGSU66, CCS2673, CRP970, CECL2838, LEDS2836)**

GLASS COLOUR: smoke grey – transparent glass  
 GLASS SURFACE: glossy surface  
 BODY FINISH: black matte powder coating with structure  
 ROPE: natural  
 CABLE COLOUR: black charging cable  
 USB 2/Mag, 5V  
 LED SOURCE: 240mA, LED, 4W, 2700K, 950lm, RA80+, DIM

p. 237 | PH6566

**PC1249 (CGC516, CGSU66, CCS2673, CRP970, CECL2838, LEDS2836)**

GLASS COLOUR: smoke grey – transparent glass  
 GLASS SURFACE: glossy surface  
 BODY FINISH: black matte powder coating with structure  
 ROPE: natural  
 CABLE COLOUR: black charging cable  
 USB 2/Mag, 5V  
 LED SOURCE: 240mA, LED, 4W, 2700K, 950lm, RA80+, DIM



PC1233

p. 239 | PH6260

**PC1233 (CGC46, CGSU881, CCS2809, CECL2837, CEB1818)**

GLASS COLOUR: light pink – transparent glass  
 GLASS SURFACE: acid-etched both side surface  
 BODY FINISH: metal – white matte powder coating with structure  
 CABLE COLOUR: black charging cable  
 USB 2/USB-C, 5V  
 RECOMMENDED BULBS: 12V, G4, 1.2W, 2700K, 91lm, DIM

p. 240 | PH6565

**PC1233 (CGC516, CGSU881, CCS2811, CECL2837, CEB1818)**

GLASS COLOUR: smoke grey – transparent glass  
 GLASS SURFACE: acid-etched both side surface  
 BODY FINISH: metal – anthracite grey matte powder coating with structure  
 CABLE COLOUR: black charging cable  
 USB 2/USB-C, 5V  
 RECOMMENDED BULBS: 12V, G4, 1.2W, 2700K, 91lm, DIM

**PC1233 (CGC39, CGSU881, CCS2809, CECL2837, CEB1818)**

GLASS COLOUR: triplex opal  
 GLASS SURFACE: acid-etched both side surface  
 BODY FINISH: metal – white matte powder coating with structure  
 CABLE COLOUR: black charging cable  
 USB 2/USB-C, 5V  
 RECOMMENDED BULBS: 12V, G4, 1.2W, 2700K, 91lm, DIM

p. 241 | PH6259

**PC1233 (CGC39, CGSU881, CCS2809, CECL2837, CEB1818)**

GLASS COLOUR: triplex opal  
 GLASS SURFACE: acid-etched both side surface  
 BODY FINISH: metal – white matte powder coating with structure  
 CABLE COLOUR: black charging cable  
 USB 2/USB-C, 5V  
 RECOMMENDED BULBS: 12V, G4, 1.2W, 2700K, 91lm, DIM

p. 242 — 243 | PH6261

**PC1233 (CGC46, CGSU881, CCS2809, CECL2837, CEB1818)**

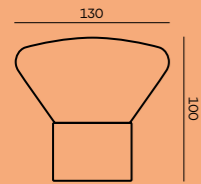
GLASS COLOUR: light pink – transparent glass  
 GLASS SURFACE: acid-etched both side surface  
 BODY FINISH: metal – white matte powder coating with structure  
 CABLE COLOUR: black charging cable  
 USB 2/USB-C, 5V  
 RECOMMENDED BULBS: 12V, G4, 1.2W, 2700K, 91lm, DIM

**PC1233 (CGC516, CGSU881, CCS2809, CECL2837, CEB1818)**

GLASS COLOUR: smoke grey – transparent glass  
 GLASS SURFACE: acid-etched both side surface  
 BODY FINISH: metal – white matte powder coating with structure  
 CABLE COLOUR: black charging cable  
 USB 2/USB-C, 5V  
 RECOMMENDED BULBS: 12V, G4, 1.2W, 2700K, 91lm, DIM

**PC1233 (CGC39, CGSU881, CCS2809, CECL2837, CEB1818)**

GLASS COLOUR: triplex opal  
 GLASS SURFACE: acid-etched both side surface  
 BODY FINISH: metal – white matte powder coating with structure  
 CABLE COLOUR: black charging cable  
 USB 2/USB-C, 5V  
 RECOMMENDED BULBS: 12V, G4, 1.2W, 2700K, 91lm, DIM



PC1008

p. 247 | PH6875

**PC1008 (CGC157, CCS592)**

GLASS COLOUR: orange – transparent glass

BODY FINISH: European oak – stained black

p. 248 | PH5967

**PC1008 (CGC23, CCS972)**

GLASS COLOUR: transparent glass

BODY FINISH: European oak – clear coat

p. 249 | PH5973

**PC1008 (CGC515, CCS972)**

GLASS COLOUR: amber – transparent glass

BODY FINISH: European oak – clear coat

**PC1008 (CGC157, CCS592)**

GLASS COLOUR: orange – transparent glass

BODY FINISH: European oak – stained black

**PC1008 (CGC554, CCS972)**

GLASS COLOUR: violet – transparent glass

BODY FINISH: European oak – clear coat

**PC1008 (CGC38, CCS972)**

GLASS COLOUR: opaline – transparent glass

BODY FINISH: European oak – clear coat

**PC1008 (CGC540, CCS757)**

GLASS COLOUR: cognac – transparent glass

BODY FINISH: American walnut – natural waxed

**PC1008 (CGC516, CCS757)**

GLASS COLOUR: smoke grey – transparent glass

BODY FINISH: American walnut – natural waxed

p. 250—251 | PH977

**2\*PC1008 (CGC516, CCS757)**

GLASS COLOUR: smoke grey – transparent glass

BODY FINISH: American walnut – natural waxed

**PC1008 (CGC516, CCS972)**

GLASS COLOUR: smoke grey – transparent glass

BODY FINISH: European oak – clear coat

The lights are listed in the index in the same order as they appear from left in the photograph. For groups of more than five lights, only the codes of the lights are given without further specification of their number within the given photograph.

**IMPORTANT INFORMATION**

BROKIS products and services can be found on the latest version of our website – [www.brokis.cz](http://www.brokis.cz). Our sales partners are regularly informed of news and any changes to products and/or services. In order to streamline cooperation with our sales partners and promote sales of our products and services, we've created new marketing tools, which are available through the MY BROKIS partner platform at [www.mybrokis.cz](http://www.mybrokis.cz). These tools, which include ordering, informative documents, PR materials, and an overview of complementary services, support product sales growth and help us develop. BROKIS is also introducing optional product registration, which will allow customers to verify the authenticity of their lights. More information on product registration can be found in a special QR code at the end of the catalogue.

**CLEANING INFORMATION**

As with all products, BROKIS lights require periodic cleaning. Dust, grease, and film affect the visual quality of any item made of glass.

It is in the interest of the user to maintain the singular appearance of the lights. This can only be achieved through regular cleaning. When neglected, the cleaning process becomes unnecessarily time consuming. The cleaning interval depends on the environment the lights are installed in and is primarily influenced by humidity levels, temperature stability, and the amount of dust in the air.

BROKIS applies the highest possible quality standards in manufacturing its lights. Prior to shipping, each light undergoes several quality controls and stages of cleaning. Lights may require additional cleaning as a result of transportation, storage, and the amount of time that passes between packing and subsequent unpacking by the client. Therefore, we recommend cleaning the lights prior to installation.

**RECOMMENDED CLEANING METHODS**

When cleaning lights from any of our collections, we recommend first disassembling them according to the instructions in the installation manual and then securing the glass components against mechanical damage.

The glass must first be rinsed in hot water and a dilution of dish detergent to remove all foreign particles and dust. Repeat this process if necessary. The glass must then be cleaned a second time using hot water and a dilution of degreaser (such as ammonia or vinegar) and thoroughly rinsed under running hot water. Repeat this process if necessary. Next, dry the glass thoroughly with a paper or a soft cotton towel. Only reassemble the light once the glass has cooled completely.

Do not use mineral spirits, highly concentrated thinners, or other substances not intended for use on glass surfaces. Do not use products containing silicone, since they quickly attract more dust and grease.

BROKIS  
WEBSITE



BROKIS  
PROJECTS



MY  
BROKIS



PROMO  
VIDEO



BROKIS  
VIRTUAL VILLA



BROKISGLASS



BROKIS  
CATALOGUE



TECHNICAL INFORMATION  
ABOUT PRODUCTS



Cleaning information  
and unpacking the box



Technical  
information



Product  
registration



ARCHI  
TONIC



archiproducts



archilovers





**BROKIS, s.r.o.**

**OFFICE**

Španielova 1315/25  
163 00 Prague 6  
Czech Republic

**SHOWROOM**

Sídlíště Janštejn 39  
588 52 Horní Dubenky  
Czech Republic

[www.brokis.cz](http://www.brokis.cz)  
[info@brokis.cz](mailto:info@brokis.cz)

**DESIGNERS**

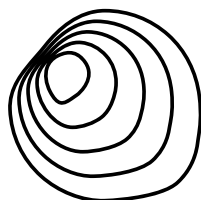
Lucie Koldova  
Dan Yeffet  
Boris Klimek  
Chiaramonte Marin  
Fumie Shibata  
Lenka Damová  
Vrtiška & Žák

**PHOTO**

Martin Chum  
Adéla Havelková  
Kristina Hrabětová  
Lukáš Pelech  
Jan Voharčík  
Denise Keus  
Zbyněk Krulich  
Polygoniq  
Studio Salaris  
SUPREMA

**GRAPHIC DESIGN**

Studio Marvil



**BROKIS®**

