



Smalterie Metallurgiche Emiliane Guastalla

Distinctive domestic appliances developed in collaboration with leading architects of the world.

Products that express "Made in Italy" by perfectly combining design, performance, and attention to detail.

Smeg. Technology with style.



Premium quality and Design

# *Index*

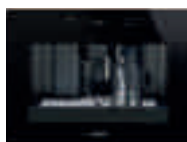
**26**

Ovens



**106**

Compact appliances  
and drawers



**172**

Hobs



**486**

Refrigerators



**578**

Wine cooler



**602**

Dishwashers



**646**

Washing and  
drying machines



**280**

Barbecues



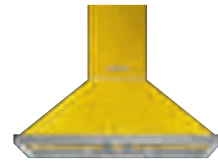
**286**

Cookers



**366**

Hoods



**668**

Sinks and taps



**794**

Small domestic  
appliances



**834**

Glossary



**1948**

Vittorio Bertazzoni Sr founds Smeg (Smalterie Metallurgiche Emiliane Guastalla) in Guastalla, near Reggio Emilia in Italy.

**1977**

Franco Maria Ricci, one of Italy's most illustrious publishers and graphic designers, creates the Smeg logo which incorporates references to the burners of a gas hob and the round knobs of an oven. The same Smeg begin its sponsorship of legendary Ferrari driver Gilles Villeneuve.

**2002**

Guido Canali designs the Smeg Headquarters, for which he receives an honourable mention at the Milan Triennale's "medaglia d'Oro all'Architettura Italiana" architectural awards in 2006.

**1955**

Production of cookers begins, reaching its peak with the presentation of the first Smeg brand cooker, Elisabeth, in 1956.

**1985**

Instinctively and incisively understanding new consumer requirements for more elegant products, the company begins working with architect Guido Canali to create ovens and hobs.

**2008**

Smeg celebrates its 60th anniversary and presents products designed alongside Marc Newson, which leads to winning the Wallpaper Design Award the following year.

**1963**

The company presents Leda, the first Smeg branded washing machine, thanks to an increase in production capacity to include laundry appliances.

**1991**

Smeg's collaboration with important designers continues, with the company offering ovens and hobs designed by architect Mario Bellini.

**2010**

Smeg receives the Good Design Award for an oven and hob from the Linea aesthetics. The same prestigious recognition will also be assigned in 2012 and 2013 for other products in the range.

**1970**

Niagara is released, the world's first 14-place setting dishwasher, meeting modern requirements for large wash capacities.

**1995**

The company begins working with architect Renzo Piano, a collaboration which will lead to the production of hobs, ovens, fridges and the Smeg home garden.

**2012**

The first denim-covered fridge, created in collaboration with Italia Independent, is released, followed the next year by the Smeg500, a fridge which looks like a Fiat 500 car.

**1971**

Production of built-in appliances such as ovens and hobs begins; these products will become part of the defining elements of Smeg's success.

**1997**

The FAB range of fridges is created, a product line destined to become an international style icon and status symbol.

**2014**

The 50s Style small appliances line, created together with the deepdesign© studio, makes its debut and immediately wins over both customers and critics. Smeg wins the Good Design award once again, as well as the iF Design Award and Red Dot Design Award.

## HISTORY

Smeg has been producing domestic appliances with the finest Italian design for more than 70 years, with a particular focus on aesthetics, ergonomics and functionality. Today Smeg, originally an acronym for Smalterie Metallurgiche Emiliane Guastalla indicating its initial activities in enamel work and metallurgy, has reached its third generation of entrepreneurs and represents an international group with direct subsidiaries and distributors in all five continents.



Smeg believes that objects of daily use should not only fill an environment; they should create an atmosphere. This sensitivity, which has inspired the collaboration with great architects and designers of our time, is the perfect expression of Made in Italy which combines art and industrial expertise in everyday objects.







## COORDINATING COLLECTION

Style, for Smeg, is a distinct concept: the way a product communicates with its surroundings and enables users to interact with it. Every aesthetic design family offers a choice of different coordinating products. Aesthetic lines are presented in a wide range of appliances and can be coordinated throughout the kitchen to create a powerful style statement.





## DOLCE STIL NOVO

Dolce Stil Novo presents the ultimate style and embodies all the latest innovations, making these appliances leaders in their segment. The play of light and shadow and the technical excellence of the products in its aesthetics are the distinctive features of this range.





## PIANO DESIGN

The Piano Design Studio has applied architecture to household objects to create elegant and solid products with a refined and exclusive style. Finished with high quality polished stainless steel, the Piano Design ovens and hobs make a striking impact in any kitchen.





## LINEA

Distinctive products that incorporate modern minimalist design trends, the Linea aesthetics is characterised by symmetrical lines, balance and light. A series of ovens, coffee machines, hobs, hoods, fires and accessories are all extremely ergonomic and designed to maximise the available space, making a real style statement in the kitchen.







## CLASSICA

Strict forms, simple and essential design for a timeless style, yet with a contemporary feel. Smeg Classica is made of a series of iconic and elegant domestic appliances that are finished in smart stainless steel. Ovens, coffee machines, hobs, hoods, fridges, dishwashers and more make a real impact with their smooth and sleek design lines.





## 50'S RETRO STYLE & VICTORIA

Colour and retro lines for style icons: Smeg 50's Retro Style products embody the glamour and rounded forms of the 1950's and become real cult objects. Victoria aesthetics line is dedicated to people who wants to feel the warm reception and welcoming atmosphere, places filled with tranquillity, joy and laughter, where time seems to stop, where passion for good food is seen through utmost attention to details.





## CORTINA

The inspiration for the Cortina design came from master artisan wrought iron work traditionally produced in the Italian mountains. This style embodies the unique lines of alpine chalet architecture and ancient Italian estates. The combination of forged iron and refined forms adds an unrepeatable charm and fascination to these appliances.





## COLONIALE

Elegant classic style, carrying us back to the past. The charm of these appliances creates a wonderful atmosphere of refinement and comfort in the kitchen, making a completely exclusive style.





## **SMEG PRODUCTS**

Smeg products, the perfect combination of refined aesthetics and technological reliability, have transformed simple kitchen appliances into designer furnishings, undisputed examples of the finest Italian design. A range of fully coordinated domestic appliances with unmistakably refined aesthetics and a well-defined identity of its own.

# OVENS

State-of-the-art technology combined with a rigorous approach to aesthetics and top quality materials are the guiding principles behind the design of Smeg ovens, making the company name famous worldwide.



# Ovens

*“Made in Italy”  
distinctive design*



**DOLCE STIL NOVO**



**EVOLUZIONE**



**LINEA**



**CLASSICA**

Designed and produced in Italy, a country with culinary specialities and engineering know-how recognised throughout the world, Smeg ovens have evolved through years of research and development. The specialised Italian knowledge mixes the best quality ingredients to create excellent cooking appliances with exclusive designs that always offer peak performance.

**VICTORIA****CORTINA****COLONIALE****SELEZIONE**

## TYPES OF OVENS

*various sizes, colors, materials*



STANDARD



COMPACT



WIDE



DOUBLE OVEN

*with different working principles*

**GAS STATIC**

The gas ovens allow the customer to cook in a traditional way with constant oven temperature. Some models have also an integral electric grill which can be used to brown food already cooked by gas.

**CONVECTION**

Gas oven with convection provides even distribution of heat in a gas cavity with the help of a fan. The heat is distributed equally in all directions, which provides the correct cooking of food with a delicious crust, reducing cooking time.

**MULTI-FUNCTION VENTILATED OVEN**

The heat, coming from the top and the bottom of the oven, is evenly distributed in the cavity due to the internal convector. This allows you to cook simultaneously a variety of meals on different levels.

**MULTI-FUNCTION THERMOVENTILATED OVEN**

The work of the internal fan is complemented by circular heating element that allows you to cook on different levels simultaneously without mixing odors.

## CLEANING MADE SIMPLE

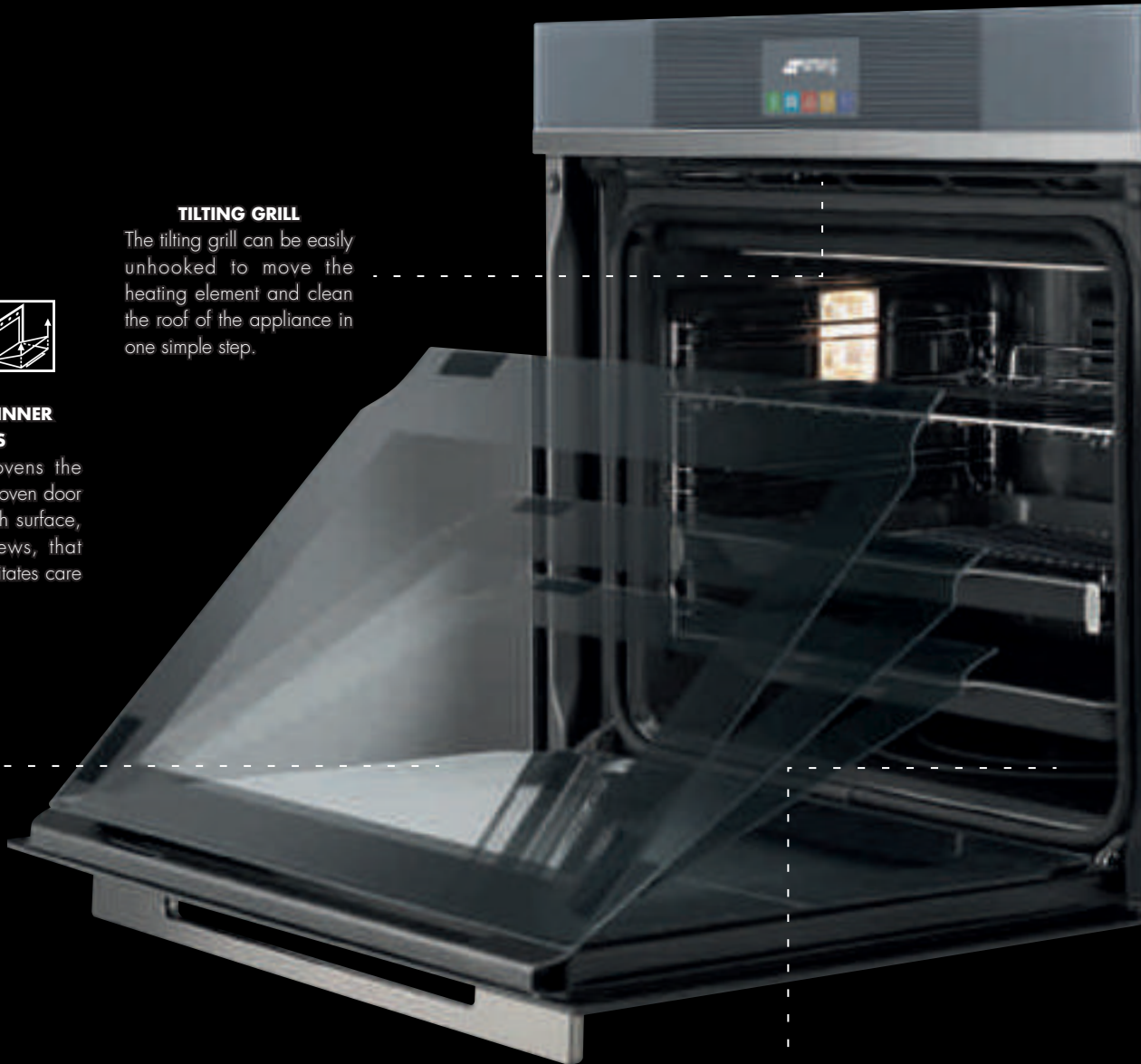
*maximum attention to hygiene*

**TILTING GRILL**

The tilting grill can be easily unhooked to move the heating element and clean the roof of the appliance in one simple step.

**REMOVABLE INNER GLASSES**

In most Smeg ovens the inner glass of the oven door has a very smooth surface, without any screws, that considerably facilitates care of the oven.

**VAPOR CLEAN**

VAPOR CLEAN function facilitates cleaning of the oven thanks to the vapor generated by simply putting a little amount of water into the hollow at the oven base.

**PYROLYSIS**

This automatic cleaning function works by heating the inside of the oven to 500° C to burn off any grease and dirt.

**EVER CLEAN ENAMEL**

The enamel finish of the oven cavity is easy to clean, because it has poor adhesion with fats and is resistant to a variety of household acids.

SPECIAL FUNCTION  
*pizza cooking*



**REFRACTORY STONE**

The refractory stone ensures pizza cooking in just 3-5 minutes.

Some ovens have an exclusive "Pizza" function which allows cooking pizza in just 3 - 5 minutes, depending on the filling. An exclusive system, it puts a refractory stone for cooking pizza in direct contact with a heating element to reach high temperatures in a short amount of time. It is also ideal for making pies, baked fish and vegetables that do not dry out and remain juicy and tasty.



## USER FRIENDLY DISPLAY

# *advanced technologies*



### **HANDLE WITH PUSH TECHNOLOGY**

Innovative handles in some of the top models are partially extracted during the use of the oven and are totally put forward by a light pressing.



### **TFT DISPLAYS**

New functional and intuitive ovens will make the cooking process pleasant. Top models of the range have color TFT touchscreen display EasyGuide with interactive menu and Smart Cooking automatic programs.



### **SMART COOKING**

New Smart Cooking program has 50 preset recipes that will make you cook like a chef without any efforts. Refined gourmets can save up to 10 recipes of their own favourite meals. Cooking at low temperatures is a special function.

smeg



## EXCELLENCE AS A STANDARD

Full range of aesthetically perfect built-in ovens Smeg, which have gone through serious investigations, offers high performance along with a variety of functions and ensures maximum ease of use and exceptional safety.



New maxi 90 cm oven cavity assure, all the most updated innovations to guarantee the best and energy-efficient cooking results with cavities up to 120 l.



**MAXI CAVITIES**  
Smeg ovens 60 cm have one of the largest cavities compared to other brands on the market, up to 79 l.



**5 COOKING LEVELS**  
5 cooking levels will provide maximum flexibility in use, which will also help save your time when you need to cook several meals simultaneously.



**STEAM ASSISTED COOKING**  
The new ovens combine the Sous-Vide with traditional cooking, which enhances flavours. Steam is directly injected in the cavity through the nozzle and is evenly distributed by the ventilation, giving excellent cooking results.



**CIRCLAIRE COOKING FUNCTIONS**  
Combination of heating with convection allows you to cook quickly and efficiently different meals at different levels without mixing odors and flavors. It is ideal for products that require intensive preparation.



**ECOLOGIC**  
This option can be set for preparing large amounts of food with low energy consumption (up to 2.3 kW).



**OPTIMAL ENERGY EFFICIENCY**  
Reducing energy consumption while maintaining maximum efficiency. Smeg ovens ensure careful attitude to the environment and can save up to 10% energy compared to class A.

SAFETY AS A PRIORITY  
*cooking without worries*



**COOL DOOR**

All Smeg ovens have a "cool door." Thanks to the combination of tangential cooling and internal heat-reflecting glasses, the temperature on the outer surface of the door is kept comfortable.



**CHILD SAFETY LOCK**

When you activate this option all functions and programs are blocked, as well as on / off commands for complete safety of children.



**TELESCOPIC GUIDES**

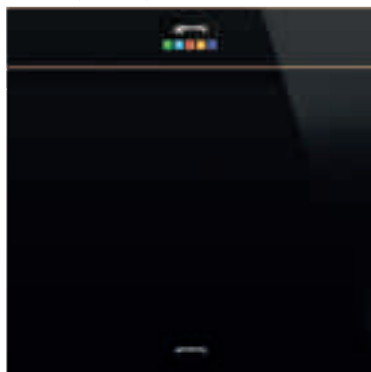
Easily removable telescopic guides enable easy pull out of trays from the oven, without keeping them suspended. This ensures maximum safety in the control of cooking.

**SOFT CLOSE**

All models are equipped with advanced function of smooth closing of the door, which allows the device to close smoothly and quietly.

**SFP6604PNRE**

ELECTRIC THERMOVENTILATED OVEN,  
PYROLITIC, 60CM, DOLCE STIL NOVO, HIDDEN  
HANDLE, BLACK, COPPER FINISHING

**SFP6604PNXE**

ELECTRIC THERMOVENTILATED OVEN,  
PYROLITIC, 60CM, DOLCE STIL NOVO, HIDDEN  
HANDLE, BLACK, STAINLESS STEEL FINISHING

**PLUS:****FUNCTIONS:**

Gross capacity: 79 lt

Net volume of the cavity: 70 l

50 preset cooking programs

10 free personal cooking programs

TFT graphic display with colours touch screen

Delay start and automatic end cooking program

Minute minder

Acoustic alarm

Electronic thermostatic controls

Automatic switch-off when door is opened

Door lock during pyrolysis

Temperatures: from 30°C to 280°C

Soft close door

ECLIPSE glass

Lighting when door is opened

2 halogen lamps (40 W)

Limited power consumption mode

Electrical connection rating (W): 3000 W

Energy consumption per cycle in conventional mode: 1.09 KWh

Energy consumption per cycle in fan-forced convection: 0.68 KWh

Frequency (Hz): 50/60 Hz

Current: 13 Amp

Voltage: 220-240 V

**ACCESSORIES INCLUDED:**

Enamelled deep tray of 40 mm

Enamelled tray of 20 mm

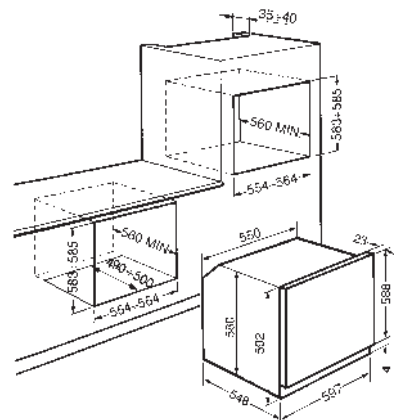
Insert for tray

2 grids with back stop and side stop

Pair fully extractable telescopic guides

**RETRACTABLE HANDLE**

*Innovative retractable handle is extracted automatically during the use of the oven and is totally put forward when not in use*





**SFP6604NRE**

ELECTRIC THERMOVENTILATED OVEN,  
PYROLITIC, 60CM, DOLCE STIL NOVO,  
BLACK, COPPER FINISHING

**SFP6604NXE**

ELECTRIC THERMOVENTILATED OVEN,  
PYROLITIC, 60CM, DOLCE STIL NOVO,  
BLACK, STAINLESS STEEL FINISHING

**PLUS:****FUNCTIONS:**

Gross capacity: 79 lt

Net volume of the cavity: 70 l

50 preset cooking programs

10 free personal cooking programs

TFT graphic display with colours touch screen

Delay start and automatic end cooking program

Minute minder

Acoustic alarm

Electronic thermostatic controls

Automatic switch-off when door is opened

Door lock during pyrolysis

Temperatures: from 30°C to 280°C

Soft close door

ECLIPSE glass

Lighting when door is opened

2 halogen lamps (40 W)

Limited power consumption mode

Electrical connection rating (W): 3000 W

Energy consumption per cycle in conventional mode: 1.09 KWh

Energy consumption per cycle in fan-forced convection: 0.68 KWh

Frequency (Hz): 50/60 Hz

Current: 13 Amp

Voltage: 220-240 V

**ACCESSORIES INCLUDED:**

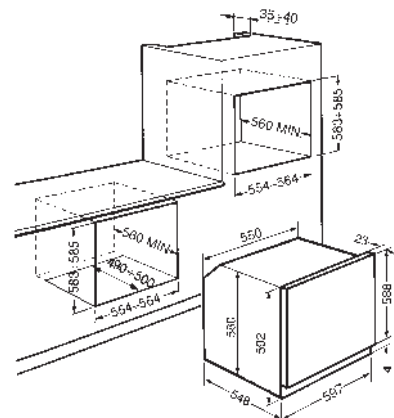
Enamelled deep tray of 40 mm

Enamelled tray of 20 mm

Insert for tray

2 grids with back stop and side stop

Pair fully extractable telescopic guides





**SFP6604STNR**

ELECTRIC THERMO-VENTILATED STEAM ASSISTED OVEN, PYROLITIC, 60CM, DOLCE STIL NOVO, BLACK, COPPER FINISHING

**PLUS:****FUNCTIONS:**

Gross capacity: 79 lt

Net volume of the cavity: 70 l

Other Steam functions: Tank cleaning

50 preset cooking programs

10 free personal cooking programs

TFT graphic display with colours touch screen

Delay start and automatic end cooking

program

Minute minder

Acoustic alarm

Electronic thermostatic controls

Automatic switch-off when door is opened

Door lock during pyrolysis

Temperatures: from 30°C to 280°C

Soft close door

ECLIPSE glass

lighting when door is opened

2 halogen lamps (40 W)

Limited power consumption mode

Electrical connection rating (W): 3000 W

Energy consumption per cycle in conventional

mode: 1.09 KWh

Energy consumption per cycle in fan-forced

convection: 0.68 KWh

Frequency (Hz): 50/60 Hz

Current: 13 Amp

Voltage: 220-240 V

**ACCESSORIES INCLUDED:**

Enamelled deep tray of 40 mm

Enamelled tray of 20 mm

Insert for tray

2 grids with back stop and side stop

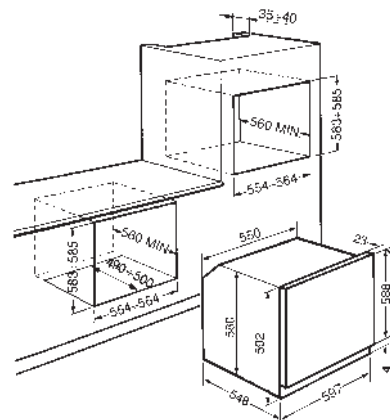
Pair fully extractable telescopic guides

**SFP6604STNX**

ELECTRIC THERMO-VENTILATED STEAM ASSISTED OVEN, PYROLITIC, 60CM, DOLCE STIL NOVO, BLACK, STAINLESS STEEL FINISHING

**PYROLYSIS**

*Innovative handles are partially extracted during the use of the oven and are totally put forward by a light pressing*



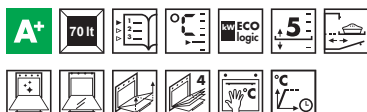


**SFP6603NRE**

ELECTRIC THERMOVENTILATED OVEN,  
PYROLITIC, 60CM, DOLCE STIL NOVO,  
BLACK, COPPER FINISHING

**SFP6603NXE**

ELECTRIC THERMOVENTILATED OVEN,  
PYROLITIC, 60CM, DOLCE STIL NOVO,  
BLACK, STAINLESS STEEL FINISHING

**PLUS:****FUNCTIONS:**

Gross capacity: 79 lt

Net volume of the cavity: 70 l

50 preset cooking programs

10 free personal cooking programs

TFT graphic display

Delay start and automatic end cooking program

Minute minder

Acoustic alarm

Electronic thermostatic controls

Automatic switch-off when door is opened

Temperatures: from 30°C to 280°C

Soft close door

ECLIPSE glass

Lighting when door is opened

2 halogen lamps (40 W)

Limited power consumption mode

Electrical connection rating (W): 3000 W

Energy consumption per cycle in conventional mode: 1.09 KWh

Energy consumption per cycle in fan-forced convection: 0.68 KWh

Frequency (Hz): 50/60 Hz

Current: 13 Amp

Voltage: 220-240 V

**ACCESSORIES INCLUDED:**

Enamelled deep tray of 40 mm

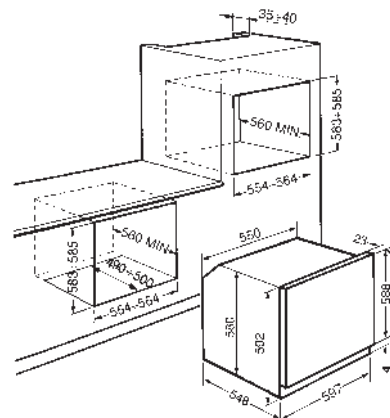
Insert for tray

2 grids with back stop and side stop

Pair partially extractable telescopic guides

**TFT DISPLAYS**

New functional and intuitive ovens will make the cooking process pleasant thanks to color TFT touchscreen display EasyGuide with interactive menu and Smart Cooking automatic programs.



**SFP6602NRE**

ELECTRIC THERMOVENTILATED OVEN,  
PYROLITIC, 60CM, DOLCE STIL NOVO,  
BLACK, COPPER FINISHING

**SFP6602NXE**

ELECTRIC THERMOVENTILATED OVEN,  
PYROLITIC, 60CM, DOLCE STIL NOVO,  
BLACK, STAINLESS STEEL FINISHING

**PLUS:****FUNCTIONS:**

Gross capacity: 79 lt

Net volume of the cavity: 70 l

20 preset cooking programs

Large LCD display

Delay start and automatic end cooking  
program

Minute minder

Acoustic alarm

Electronic thermostatic controls

Automatic switch-off when door is opened

Temperatures: from 30°C to 280°C

Soft close door

ECLIPSE glass

Lighting when door is opened

2 halogen lamps (40 W)

Limited power consumption mode

Electrical connection rating (W): 3000 W

Energy consumption per cycle in conventional  
mode: 1.09 KWh

Energy consumption per cycle in fan-forced  
convection: 0.68 KWh

Frequency (Hz): 50/60 Hz

Current: 13 Amp

Voltage: 220-240 V

**ACCESSORIES INCLUDED:**

Enamelled deep tray of 40 mm

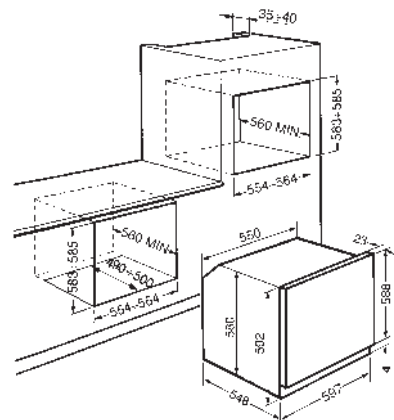
Insert for tray

2 grids with back stop and side stop

Pair partially extractable telescopic guides

**SOFT CLOSE**

All models are equipped with advanced  
function of smooth closing of the door, which  
allows the device to close smoothly and  
quietly.

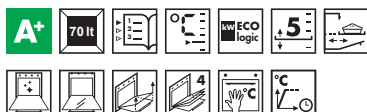


**SF6603NRE**

ELECTRIC THERMOVENTILATED OVEN,  
60CM, DOLCE STIL NOVO, BLACK, COPPER  
FINISHING

**SF6603NXE**

ELECTRIC THERMOVENTILATED OVEN,  
60CM, DOLCE STIL NOVO, BLACK,  
STAINLESS STEEL FINISHING

**PLUS:****FUNCTIONS:**

Gross capacity: 79 lt

Net volume of the cavity: 70 l

50 preset cooking programs

10 free personal cooking programs

TFT graphic display

Delay start and automatic end cooking  
program

Minute minder

Acoustic alarm

Control knobs

Electronic thermostatic controls

Automatic switch-off when door is opened

Temperatures: from 30°C to 280°C

Soft close door

ECLIPSE glass

Lighting when door is opened

2 halogen lamps (40 W)

Limited power consumption mode

Electrical connection rating (W): 3000 W

Energy consumption per cycle in conventional  
mode: 1.05 kWh

Energy consumption per cycle in fan-forced  
convection: 0.68 kWh

Frequency (Hz): 50/60 Hz

Current: 13 Amp

Voltage: 220-240 V

**ACCESSORIES INCLUDED:**

Enamelled deep tray of 40 mm

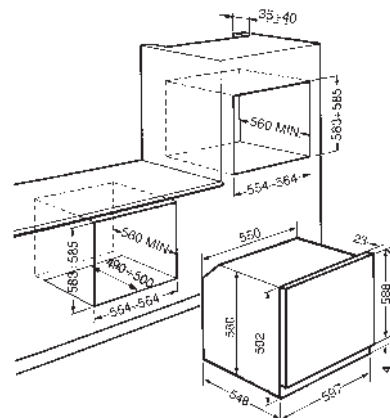
Insert for tray

2 grids with back stop and side stop

Pair partially extractable telescopic guides

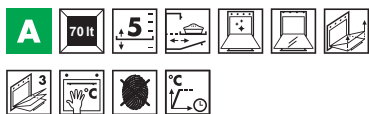
**5 COOKING LEVELS**

5 cooking levels will provide maximum  
flexibility in use, which also help save your  
time when you need to cook several meals  
simultaneously.



**SF170X**

ELECTRIC THERMOVENTILATED OVEN,  
60CM, EVOLUZIONE, ANTIFINGERPRINT  
STAINLESS STEEL

**PLUS:****FUNCTIONS:**

Gross capacity: 79 lt  
Net volume of the cavity: 70 l  
Digital-analogic display  
Delay start and automatic end cooking program  
Minute minder  
Acoustic alarm  
Automatic switch-off when door is opened  
Temperatures: from 50°C to 250°C  
Stopsol glass  
Lighting when door is opened  
2 halogen lamps (40 W)  
Electrical connection rating (W): 3000 W  
Energy consumption per cycle in conventional mode: 1.15 KWh  
Energy consumption per cycle in fan-forced convection: 0.89 KWh

Frequency (Hz): 50/60 Hz  
Current: 13 Amp  
Voltage: 220-240 V

**ACCESSORIES INCLUDED:**

Enamelled deep tray of 40 mm  
Enamelled tray of 20 mm  
Insert for tray  
1 grid with back stop and side stop  
Pair partially extractable telescopic guides

**SF166X**

ELECTRIC VENTILATED OVEN, 60CM,  
EVOLUZIONE, ANTIFINGERPRINT  
STAINLESS STEEL

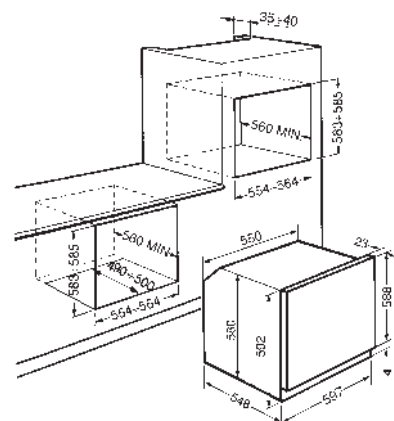
**PLUS:****FUNCTIONS:**

Gross capacity: 79 lt  
Net volume of the cavity: 70 l  
Automatic end cooking program  
Minute minder  
Acoustic alarm  
Control knobs  
Temperatures: from 50°C to 250°C  
Stopsol glass  
1 halogen lamp (25 W)  
Electrical connection rating (W): 3000 W  
Energy consumption per cycle in conventional mode: 1.15 KWh  
Energy consumption per cycle in fan-forced convection: 0.89 KWh

Frequency (Hz): 50/60 Hz  
Current: 13 Amp  
Voltage: 220-240 V

**ACCESSORIES INCLUDED:**

Enamelled deep tray of 40 mm  
1 grid with back stop





**SFP6104STS**

ELECTRIC THERMOVENTILATED OVEN,  
PYROLITIC, 60 CM, LINEA, SILVER GLASS

**PLUS:****FUNCTIONS:**

Gross capacity: 79 lt

Net volume of the cavity: 70 l

Other Steam functions: Tank cleaning

50 preset cooking programs

10 free personal cooking programs

TFT graphic display with colours touch screen

Delay start and automatic end cooking

program

Minute minder

Acoustic alarm

Electronic thermostatic controls

Automatic switch-off when door is opened

Door lock during pyrolysis

Temperatures: from 30°C to 280°C

Soft close door

Stopsol glass

Lighting when door is opened

2 halogen lamps (40 W)

Limited power consumption mode

Electrical connection rating (W): 3000 W

Energy consumption per cycle in conventional

mode: 1.09 KWh

Energy consumption per cycle in fan-forced

convection: 0.68 KWh

Frequency (Hz): 50/60 Hz

Current: 13 Amp

Voltage: 220-240 V

**ACCESSORIES INCLUDED:**

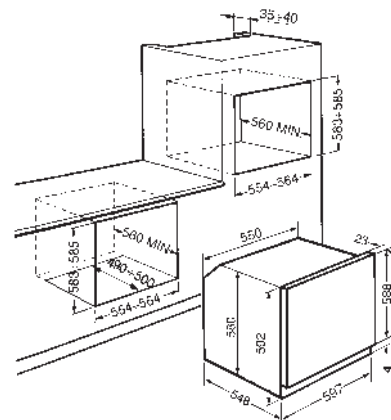
Enamelled deep tray of 40 mm

2 enamelled trays of 20 mm

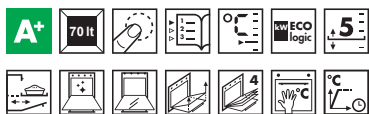
Insert for tray

1 grid with back stop and side stop

Pair fully extractable telescopic guides





**SFP6104TVB**ELECTRIC THERMOVENTILATED OVEN,  
PYROLITIC, 60CM, LINEA, WHITE**SFP6104TVN**ELECTRIC THERMOVENTILATED OVEN,  
PYROLITIC, 60CM, LINEA, BLACK**SFP6104TVS**ELECTRIC THERMOVENTILATED OVEN,  
PYROLITIC, 60CM, LINEA, SILVER GLASS**PLUS:****FUNCTIONS:**

Gross capacity: 79 lt

Net volume of the cavity: 70 l

50 preset cooking programs

10 free personal cooking programs

TFT graphic display with colours touch screen

Delay start and automatic end cooking program

Minute minder

Acoustic alarm

Electronic thermostatic controls

Automatic switch-off when door is opened

Door lock during pyrolysis

Temperatures: from 30°C to 280°C

Soft close door

Lighting when door is opened

2 halogen lamps (40 W)

Limited power consumption mode

Electrical connection rating (W): 3000 W

Energy consumption per cycle in conventional mode: 1.09 kWh

Energy consumption per cycle in fan-forced convection: 0.68 kWh

Frequency (Hz): 50/60 Hz

Current: 13 Amp

Voltage: 220-240 V

**ACCESSORIES INCLUDED:**

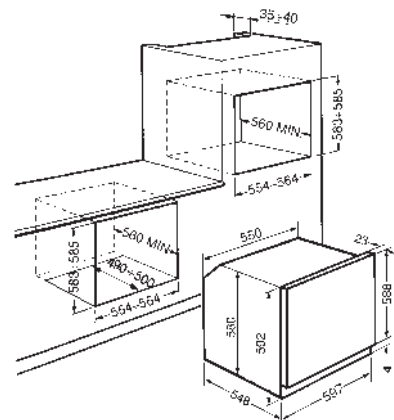
Enamelled deep tray of 40 mm

2 enamelled trays of 20 mm

Insert for tray

1 grid with back stop and side stop

Pair fully extractable telescopic guides







**SF6104STS**

ELECTRIC THERMOVENTILATED OVEN,  
SMART STEAM, 60CM, LINEA, SILVER GLASS

**PLUS:****FUNCTIONS:**

Gross capacity: 79 lt

Net volume of the cavity: 70 l

Other Steam functions: Tank cleaning

50 preset cooking programs

10 free personal cooking programs

TFT graphic display with colours touch screen

Delay start and automatic end cooking program

Minute minder

Acoustic alarm

Electronic thermostatic controls

Automatic switch-off when door is opened

Temperatures: from 30°C to 280°C

Soft close door

Stopsol glass

Lighting when door is opened

2 halogen lamps (40 W)

Limited power consumption mode

Electrical connection rating (W): 3000 W

Energy consumption per cycle in conventional mode: 1.05 kWh

Energy consumption per cycle in fan-forced convection: 0.68 kWh

Frequency (Hz): 50/60 Hz

Current: 13 Amp

Voltage: 220-240 V

**ACCESSORIES INCLUDED:**

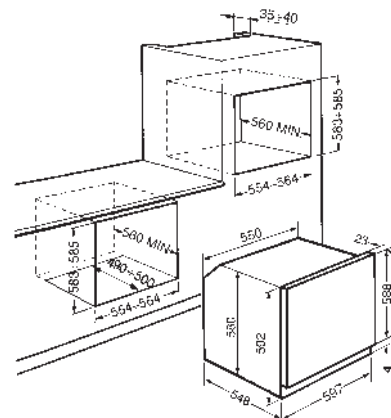
Enamelled deep tray of 40 mm

2 enamelled trays of 20 mm

Insert for tray

1 grid with back stop and side stop

Pair fully extractable telescopic guides





**SF6104TVS**

ELECTRIC THERMOVENTILATED OVEN,  
60CM, LINEA, SILVER GLASS

**PLUS:****FUNCTIONS:**

Gross capacity: 79 lt  
 Net volume of the cavity: 70 l  
 50 preset cooking programs  
 10 free personal cooking programs  
 TFT graphic display with colours touch screen  
 Delay start and automatic end cooking program  
 Minute minder  
 Acoustic alarm  
 Electronic thermostatic controls  
 Automatic switch-off when door is opened  
 Temperatures: from 30°C to 280°C  
 Soft close door  
 Stopsol glass  
 Lighting when door is opened  
 2 halogen lamps (40 W)  
 Limited power consumption mode  
 Electrical connection rating (W): 3000 W  
 Energy consumption per cycle in conventional mode: 1.05 KWh  
 Energy consumption per cycle in fan-forced convection: 0.68 KWh

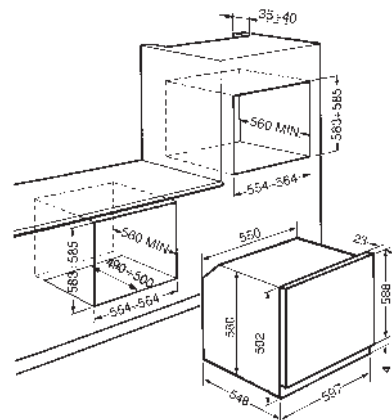
Frequency (Hz): 50/60 Hz

Current: 13 Amp

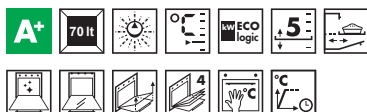
Voltage: 220-240 V

**ACCESSORIES INCLUDED:**

Enamelled deep tray of 40 mm  
 2 enamelled trays of 20 mm  
 Insert for tray  
 1 grid with back stop and side stop  
 Pair fully extractable telescopic guides





**SFP6102TVB**ELECTRIC THERMOVENTILATED OVEN,  
PYROLITIC, 60CM, LINEA, WHITE**PLUS:****FUNCTIONS:**

Gross capacity: 79 lt  
 Net volume of the cavity: 70 l  
 20 preset cooking programs  
 Large LCD display  
 Delay start and automatic end cooking program  
 Minute minder  
 Acoustic alarm  
 Ergonomic backlit controls  
 Electronic thermostatic controls  
 Automatic switch-off when door is opened  
 Door lock during pyrolysis  
 Temperatures: from 30°C to 280°C  
 Soft close door  
 Lighting when door is opened  
 2 halogen lamps (40 W)  
 Limited power consumption mode  
 Electrical connection rating (W): 3000 W  
 Energy consumption per cycle in conventional mode: 1.09 KWh  
 Energy consumption per cycle in fan-forced convection: 0.68 KWh

Frequency (Hz): 50/60 Hz  
 Current: 13 Amp  
 Voltage: 220-240 V

**ACCESSORIES INCLUDED:**

Enamelled deep tray of 40 mm  
 2 enamelled trays of 20 mm  
 Insert for tray  
 1 grid with back stop and side stop  
 Pair partially extractable telescopic guides

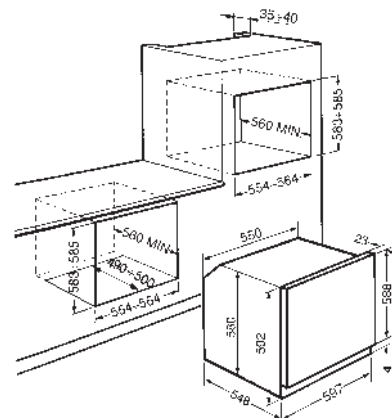
**SFP6101TVB**ELECTRIC THERMOVENTILATED OVEN,  
PYROLITIC, 60CM, LINEA, WHITE**PLUS:****FUNCTIONS:**

Gross capacity: 79 lt  
 Net volume of the cavity: 70 l  
 Compact LCD display  
 Delay start and automatic end cooking program  
 Minute minder  
 Acoustic alarm  
 Control knobs  
 Electronic thermostatic controls  
 Automatic switch-off when door is opened  
 Door lock during pyrolysis  
 Temperatures: from 30°C to 280°C  
 Soft close door  
 Lighting when door is opened  
 1 halogen lamp (40 W)  
 Limited power consumption mode  
 Electrical connection rating (W): 3000 W  
 Energy consumption per cycle in conventional mode: 1.05 KWh  
 Energy consumption per cycle in fan-forced convection: 0.85 KWh

Frequency (Hz): 50/60 Hz  
 Current: 13 Amp  
 Voltage: 220-240 V

**ACCESSORIES INCLUDED:**

Enamelled deep tray of 40 mm  
 Insert for tray  
 1 grid with back stop and side stop  
 Pair partially extractable telescopic guides



## SF6101VB

ELECTRIC VENTILATED OVEN, VAPOR CLEAN, 60CM, LINEA, WHITE



## SF6101VN

ELECTRIC VENTILATED OVEN, VAPOR CLEAN, 60CM, LINEA, BLACK

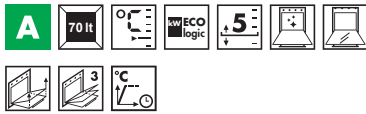


## SF6101VS

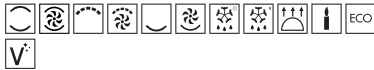
ELECTRIC VENTILATED OVEN, VAPOR CLEAN, 60CM, LINEA, SILVER GLASS



### PLUS:



### FUNCTIONS:

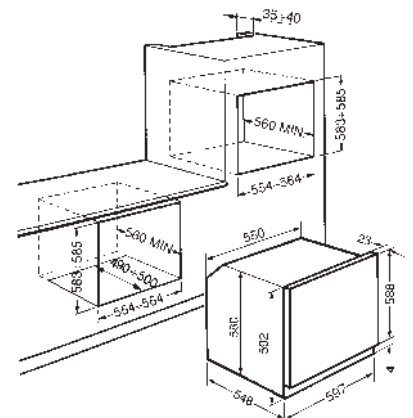


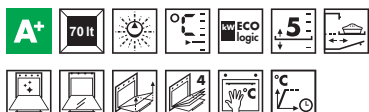
Gross capacity: 79 lt  
Net volume of the cavity: 70 l  
Compact LCD display  
Delay start and automatic end cooking program  
Minute minder  
Acoustic alarm  
Control knobs  
Electronic thermostatic controls  
Temperatures: from 30°C to 280°C  
1 halogen lamp (40 W)  
Limited power consumption mode  
Electrical connection rating (W): 3000 W  
Energy consumption per cycle in conventional mode: 1.13 KWh  
Energy consumption per cycle in fan-forced convection: 0.89 KWh

Frequency (Hz): 50/60 Hz  
Current: 13 Amp  
Voltage: 220-240 V

### ACCESSORIES INCLUDED:

Enamelled deep tray of 40 mm  
Insert for tray  
1 grid with back stop



**SF6102TVB**ELECTRIC THERMOVENTILATED OVEN,  
60CM, LINEA, WHITE**SF6102TVN**ELECTRIC THERMOVENTILATED OVEN,  
60CM, LINEA, BLACK**SF6102TVS**ELECTRIC THERMOVENTILATED OVEN,  
60CM, LINEA, SILVER GLASS**PLUS:****FUNCTIONS:**

Gross capacity: 79 lt

Net volume of the cavity: 70 l

20 preset cooking programs

Large LCD display

Delay start and automatic end cooking  
program

Minute minder

Acoustic alarm

Ergonomic backlit controls

Electronic thermostatic controls

Automatic switch-off when door is opened

Temperatures: from 30°C to 280°C

Soft close door

Lighting when door is opened

1 halogen lamp (40 W)

Limited power consumption mode

Electrical connection rating (W): 3000 W

Energy consumption per cycle in conventional  
mode: 1.05 kWhEnergy consumption per cycle in fan-forced  
convection: 0.68 kWh

Frequency (Hz): 50/60 Hz

Current: 13 Amp

Voltage: 220-240 V

**ACCESSORIES INCLUDED:**

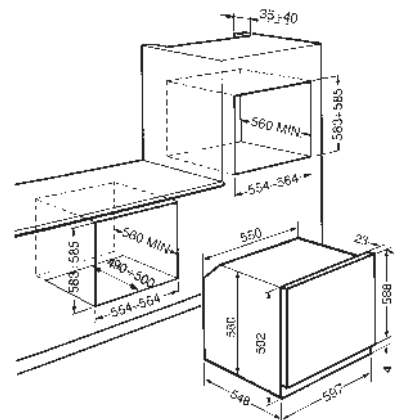
Enamelled deep tray of 40 mm

Enamelled tray of 20 mm

Insert for tray

1 grid with back stop and side stop

Pair partially extractable telescopic guides

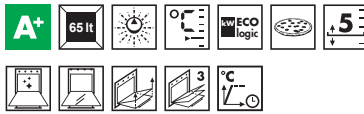






**SF6102PZS**

ELECTRIC THERMOVENTILATED OVEN,  
60CM, LINEA, SILVER GLASS

**PLUS:****FUNCTIONS:**

Gross capacity: 79 lt  
 Net volume of the cavity: 65 l  
 20 preset cooking programs  
 Large LCD display  
 Delay start and automatic end cooking program  
 Minute minder  
 Acoustic alarm  
 Ergonomic backlit controls  
 Electronic thermostatic controls  
 Automatic switch-off when door is opened  
 Temperatures: from 30°C to 280°C  
 Soft close door  
 Stopsol glass  
 Lighting when door is opened  
 2 halogen lamps (40 W)  
 Limited power consumption mode  
 Electrical connection rating (W): 3000 W  
 Energy consumption per cycle in conventional mode: 1.05 kWh  
 Energy consumption per cycle in fan-forced convection: 0.66 kWh

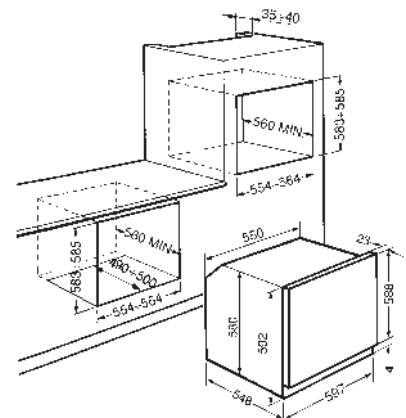
Frequency (Hz): 50/60 Hz  
 Current: 13 Amp  
 Voltage: 220-240 V

**ACCESSORIES INCLUDED:**

Enamelled deep tray of 40 mm  
 Insert for tray  
 1 grid with back stop and side stop  
 Refractory stone with shovel and cover

**REFRACTORY STONE**

*The refractory stone ensures pizza cooking in just 3-5 minutes.*





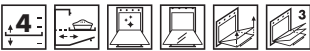
SF6102PZS

**SF61M3GVN**

GAS VENTILATED OVEN, 60CM, LINEA,  
BLACK

**SF61M3GVS**

GAS VENTILATED OVEN, 60CM, LINEA,  
SILVER GLASS

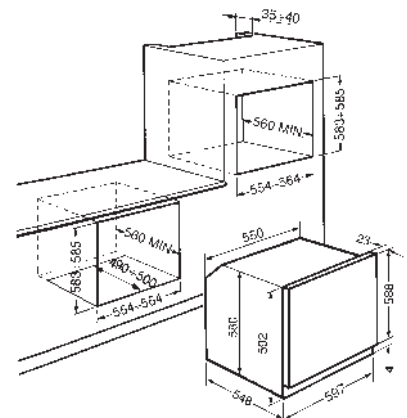
**PLUS:****FUNCTIONS:**

Gross capacity: 70 l  
Net volume of the cavity: 60 l  
Door Standard opening  
No delay options  
Minute minder  
Electromechanical timer  
Standard tones  
Control knobs  
Temperatures: from 150°C to 265°C  
Lighting when door is opened  
1 halogen lamp (40 W)

Frequency (Hz): 50/60 Hz  
Voltage: 220-240 V

**ACCESSORIES INCLUDED:**

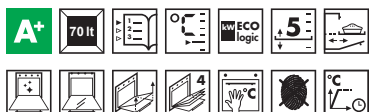
Enamelled deep tray of 40 mm  
Enamelled tray of 20 mm  
1 grid with back stop and side stop  
Pair partially extractable telescopic guides  
1 rotisserie kit





**SFP6395XE**

ELECTRIC THERMOVENTILATED  
OVEN, PYROLITIC, 60CM, CLASSICA,  
ANTIFINGERPRINT STAINLESS STEEL

**PLUS:****FUNCTIONS:**

Gross capacity: 79 lt  
Net volume of the cavity: 70 l  
50 preset cooking programs  
10 free personal cooking programs  
TFT graphic display  
Delay start and automatic end cooking program  
Minute minder  
Acoustic alarm  
Electronic thermostatic controls  
Automatic switch-off when door is opened  
Door lock during pyrolysis  
Temperatures: from 30°C to 280°C  
Soft close door  
ECLIPSE glass  
Lighting when door is opened  
2 halogen lamps (40 W)  
Limited power consumption mode  
Electrical connection rating (W): 3000 W  
Energy consumption per cycle in conventional mode: 1.09 kWh  
Energy consumption per cycle in fan-forced convection: 0.68 kWh

Frequency (Hz): 50/60 Hz  
Current: 13 Amp  
Voltage: 220-240 V

**ACCESSORIES INCLUDED:**

Enamelled deep tray of 40 mm  
Insert for tray  
2 grids with back stop and side stop  
Pair partially extractable telescopic guides

**SFP6390XE**

ELECTRIC THERMOVENTILATED  
OVEN, PYROLITIC, 60CM, CLASSICA,  
ANTIFINGERPRINT STAINLESS STEEL

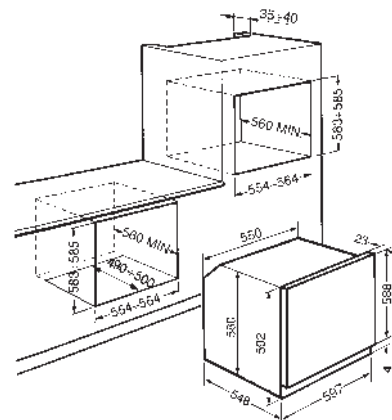
**PLUS:****FUNCTIONS:**

Gross capacity: 79 lt  
Net volume of the cavity: 70 l  
20 preset cooking programs  
Large LCD display  
Delay start and automatic end cooking program  
Minute minder  
Acoustic alarm  
Electronic thermostatic controls  
Automatic switch-off when door is opened  
Door lock during pyrolysis  
Temperatures: from 30°C to 280°C  
Soft close door  
ECLIPSE glass  
Lighting when door is opened  
2 halogen lamps (40 W)  
Limited power consumption mode  
Electrical connection rating (W): 3000 W  
Energy consumption per cycle in conventional mode: 1.09 kWh  
Energy consumption per cycle in fan-forced convection: 0.68 kWh

Frequency (Hz): 50/60 Hz  
Current: 13 Amp  
Voltage: 220-240 V

**ACCESSORIES INCLUDED:**

Enamelled deep tray of 40 mm  
Insert for tray  
2 grids with back stop and side stop  
Pair partially extractable telescopic guides



**SFP6378X**

ELECTRIC THERMOVENTILATED OVEN, PYROLITIC, 60CM, CLASSICA, ANTIFINGERPRINT STAINLESS STEEL



**PLUS:**



**FUNCTIONS:**



Gross capacity: 79 lt  
 Net volume of the cavity: 70 l  
 Compact LCD display  
 Delay start and automatic end cooking program  
 Minute minder  
 Acoustic alarm  
 Electronic thermostatic controls  
 Automatic switch-off when door is opened  
 Door lock during pyrolysis  
 Temperatures: from 30°C to 280°C  
 ECLIPSE glass  
 Lighting when door is opened  
 1 halogen lamp (40 W)  
 Limited power consumption mode  
 Electrical connection rating (W): 3000 W  
 Energy consumption per cycle in conventional mode: 1.05 KWh  
 Energy consumption per cycle in fan-forced convection: 0.85 KWh

Frequency (Hz): 50/60 Hz  
 Current: 13 Amp  
 Voltage: 220-240 V

**ACCESSORIES INCLUDED:**

Enamelled deep tray of 40 mm  
 Enamelled tray of 20 mm  
 Insert for tray  
 1 grid with back stop and side stop  
 Pair partially extractable telescopic guides

**SFP6372X**

ELECTRIC THERMOVENTILATED OVEN, PYROLITIC, 60CM, CLASSICA, ANTIFINGERPRINT STAINLESS STEEL



**PLUS:**



**FUNCTIONS:**

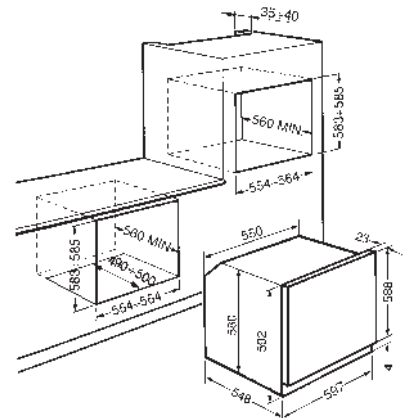


Gross capacity: 79 lt  
 Net volume of the cavity: 70 l  
 Compact LCD display  
 Delay start and automatic end cooking program  
 Minute minder  
 Acoustic alarm  
 Electronic thermostatic controls  
 Automatic switch-off when door is opened  
 Door lock during pyrolysis  
 Temperatures: from 30°C to 280°C  
 ECLIPSE glass  
 Lighting when door is opened  
 1 halogen lamp (40 W)  
 Limited power consumption mode  
 Electrical connection rating (W): 3000 W  
 Energy consumption per cycle in conventional mode: 1.05 KWh  
 Energy consumption per cycle in fan-forced convection: 0.85 KWh

Frequency (Hz): 50/60 Hz  
 Current: 13 Amp  
 Voltage: 220-240 V

**ACCESSORIES INCLUDED:**

Enamelled deep tray of 40 mm  
 Insert for tray  
 1 grid with back stop



**SFP9395X1**

ELECTRIC THERMOVENTILATED OVEN, PYROLITIC, 90CM,  
CLASSICA, ANTIFINGERPRINT STAINLESS STEEL

**PLUS:****FUNCTIONS:**

Gross capacity: 129 l

Net volume of the Cavity: 115 l

50 preset cooking programs

10 free personal cooking programs

TFT graphic display

Delay start and automatic end cooking program

Minute minder

Acoustic alarm

Electronic thermostatic controls

Automatic switch-off when door is opened

Door lock during pyrolysis

Temperatures: from 30°C to 280°C

Soft close door

ECLIPSE glass

Lighting when door is opened

2 halogen lamps (40 W)

Limited power consumption mode

Electrical connection rating (W): 4000 W

Energy consumption per cycle in conventional mode: 0.84 kWh

Energy consumption per cycle in fan-forced convection: 1.45 kWh

Frequency (Hz): 50/60 Hz

Current: 18 Amp

Voltage: 220-240 V

**ACCESSORIES INCLUDED:**

2 enamelled deep trays of 40 mm

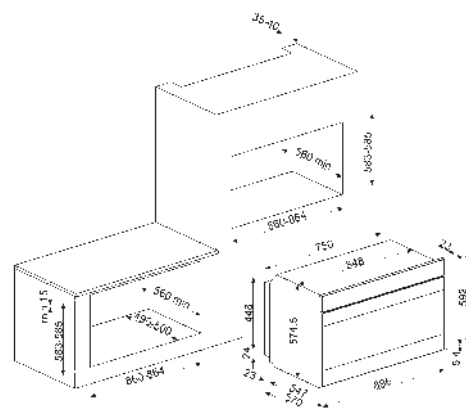
Insert for tray

1 grid with back stop and side stop

Pair fully extractable telescopic guides

**MAXI CAVITIES**

*New maxi 90 cm oven cavity assure, all the most updated innovations to guarantee the best and energy efficient cooking results.*

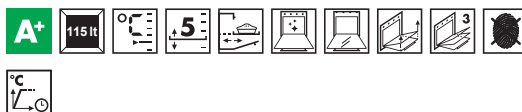






**SF9390X1**

ELECTRIC THERMOVENTILATED OVEN, 90CM , CLASSICA,  
ANTIFINGERPRINT STAINLESS STEEL

**PLUS:****FUNCTIONS:**

Gross capacity: 129 l

Net volume of the cavity: 115 l

20 preset cooking programs

Large LCD display

Delay start and automatic end cooking program

Minute minder

Acoustic alarm

Electronic thermostatic controls

Automatic switch-off when door is opened

Temperatures: from 30°C to 280°C

ECLIPSE glass

Lighting when door is opened

2 halogen lamps (40 W)

Electrical connection rating (W): 3100 W

Energy consumption per cycle in conventional mode: 1.35 KWh

Energy consumption per cycle in fan-forced convection: 0.84 KWh

Frequency (Hz): 50/60 Hz

Current: 14 Amp

Voltage: 220-240 V

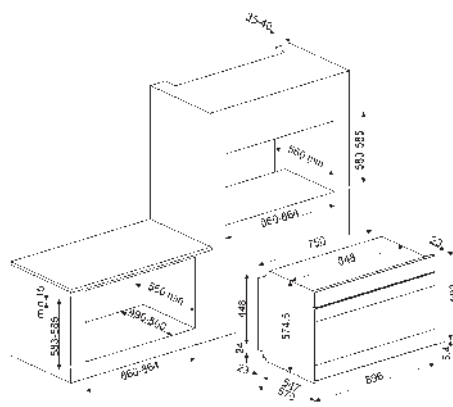
**ACCESSORIES INCLUDED:**

Enamelled deep tray of 40 mm

Insert for tray

1 grid with back stop and side stop

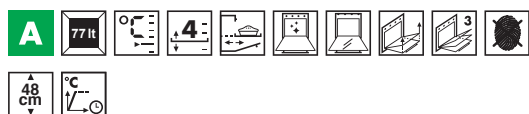
Pair partially extractable telescopic guides





**SF9315XR**

ELECTRIC THERMOVENTILATED OVEN, REDUCED HEIGHT 90 CM,  
CLASSICA, ANTIFINGERPRINT STAINLESS STEEL

**PLUS:****FUNCTIONS:**

Gross capacity: 90 lt  
Net volume of the cavity: 77 l  
Touch control display  
Delay start and automatic end cooking program  
Minute minder  
Acoustic alarm  
Electronic thermostatic controls  
Automatic switch-off when door is opened  
Temperatures: from 30°C to 260°C  
ECLIPSE glass  
Lighting when door is opened  
2 halogen lamps (40 W)  
Electrical connection rating (W): 3000 W  
Energy consumption per cycle in conventional mode: 1.25 KWh  
Energy consumption per cycle in fan-forced convection: 0.9 KWh

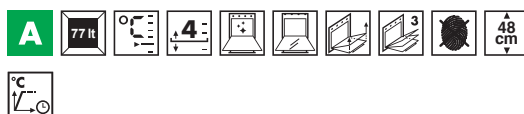
Frequency (Hz): 50/60 Hz  
Current: 13 Amp  
Voltage: 220-240 V

**ACCESSORIES INCLUDED:**

Enamelled deep tray of 40 mm  
Insert for tray  
2 grids with back stop  
Pair partially extractable telescopic guides

**SF9310XR**

ELECTRIC THERMOVENTILATED OVEN, REDUCED HEIGHT 90 CM,  
CLASSICA, ANTIFINGERPRINT STAINLESS STEEL

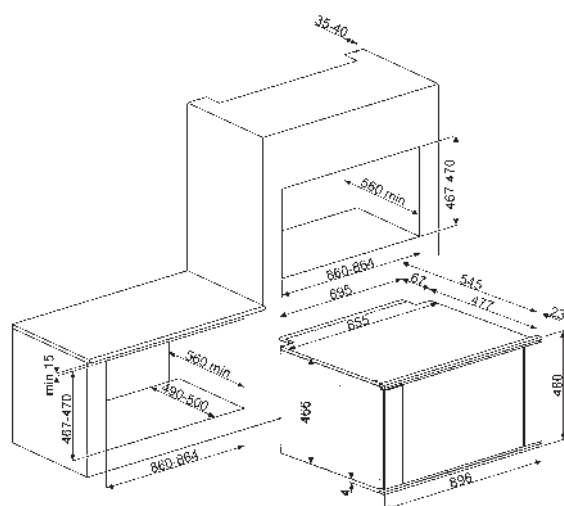
**PLUS:****FUNCTIONS:**

Gross capacity: 90 lt  
Net volume of the cavity: 77 l  
Digital display  
Delay start and automatic end cooking program  
Minute minder  
Acoustic alarm  
Electronic thermostatic controls  
Automatic switch-off when door is opened  
Temperatures: from 30°C to 260°C  
ECLIPSE glass  
Lighting when door is opened  
2 halogen lamps (40 W)  
Electrical connection rating (W): 3000 W  
Energy consumption per cycle in conventional mode: 1.25 KWh  
Energy consumption per cycle in fan-forced convection: 0.9 KWh

Frequency (Hz): 50/60 Hz  
Current: 13 Amp  
Voltage: 220-240 V

**ACCESSORIES INCLUDED:**

Enamelled deep tray of 40 mm  
Insert for tray  
1 grid with back stop and side stop



**SF9300GGVX1**

GAS VENTILATED OVEN, CLASSICA, ANTIFINGERPRINT STAINLESS STEEL

**PLUS:****FUNCTIONS:**

Gross capacity: 116 l  
 Net volume of the cavity: 92 l  
 Gas grill  
 Minute minder  
 Acoustic alarm  
 Control knobs  
 Temperatures: from 130°C to 250°C  
 ECLIPSE glass  
 2 halogen lamps (40 W)  
 Electrical connection rating (W): 130 W  
 GAS - Energy consumption in conventional mode: 8 MJ  
 GAS - Energy consumption in forced air convection: 8.9 MJ

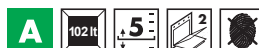
Frequency (Hz): 50/60 Hz  
 Current: 1 Amp  
 Voltage: 220-240 V

**ACCESSORIES INCLUDED:**

Enamelled tray of 20 mm  
 1 grid  
 Other gas nozzles included: G20 Natural gas  
 1 rotisserie kit

**SF9300GVX1**

GAS VENTILATED OVEN, CLASSICA, ANTIFINGERPRINT STAINLESS STEEL

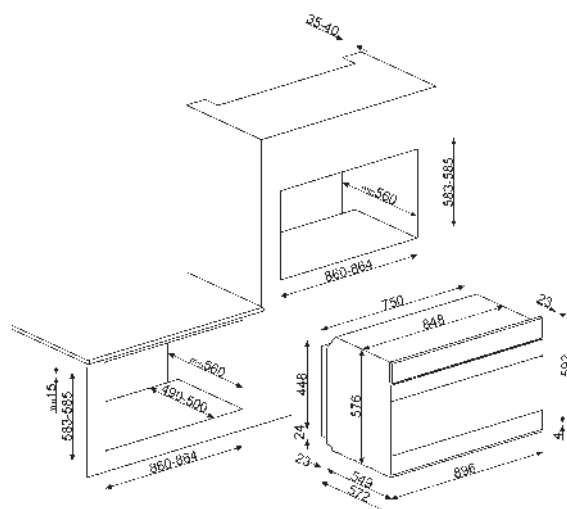
**PLUS:****FUNCTIONS:**

Gross capacity: 116 l  
 Net volume of the cavity: 102 l  
 Minute minder  
 Acoustic alarm  
 Control knobs  
 Temperatures: from 130°C to 250°C  
 ECLIPSE glass  
 2 halogen lamps (40 W)  
 Electrical connection rating (W): 3100 W  
 GAS - Energy consumption in conventional mode: 8 MJ  
 GAS - Energy consumption in forced air convection: 8.8 MJ

Frequency (Hz): 50/60 Hz  
 Current: 14 Amp  
 Voltage: 220-240 V

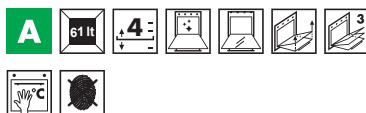
**ACCESSORIES INCLUDED:**

Enamelled tray of 20 mm  
 1 grid  
 Other gas nozzles included: G20 Natural gas  
 1 rotisserie kit



**DUSF636X**

ELECTRIC THERMOVENTILATED OVEN,  
CATALYTIC, DOUBLE UNDER-TOP, 60 CM,  
CLASSICA, ANTIFINGERPRINT STAINLESS  
STEEL

**PLUS:****FUNCTIONS:**

Gross capacity: 68 lt  
Net volume of the cavity: 61 l  
Digital-analogic display  
Delay start and automatic end cooking program  
Minute minder  
Acoustic alarm  
Automatic switch-off when door is opened  
1 grid  
Temperatures: from 50°C to 250°C  
ECLIPSE glass  
Lighting when door is opened  
1 halogen lamp (40 W)  
Electrical connection rating (W): 5600 W  
Energy consumption per cycle in fan-forced convection: 0.85 KWh

Frequency (Hz): 50/60 Hz

Current: 25 Amp

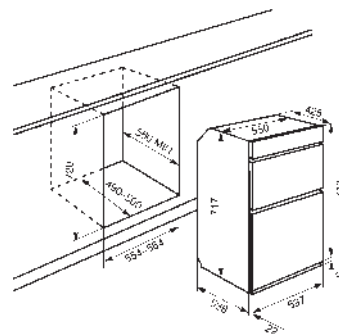
Voltage: 220-240 V

**SECONDARY OVEN:****FUNCTIONS SECONDARY OVEN:**

Gross capacity: 41 l  
Net volume of the cavity: 35 l  
Minimum temperature: 50 °C  
Maximum temperature: 270 °C  
1 halogen lamp (40 W)

**ACCESSORIES INCLUDED:**

Catalytic panel  
2 enamelled deep trays of 40 mm  
2 inserts for trays  
1 grid  
2 grids with back stop





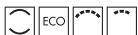
**DOSP6390X**

ELECTRIC THERMOVENTILATED OVEN,  
PYROLITIC, DOUBLE COLUMN , 60 CM,  
CLASSICA, ANTIFINGERPRINT STAINLESS STEEL

**PLUS:****FUNCTIONS:**

Gross capacity: 79 lt  
 Net volume of the cavity: 70 l  
 Large LCD display  
 Delay start and automatic end cooking program  
 Minute minder  
 Acoustic alarm  
 Electronic thermostatic controls  
 Automatic switch-off when door is opened  
 Door lock during pyrolysis  
 Temperatures: from 30°C to 280°C  
 ECLIPSE glass  
 Lighting when door is opened  
 1 halogen lamp (40 W)  
 Limited power consumption mode  
 Electrical connection rating (W): 5700 W  
 Energy consumption per cycle in conventional mode: 1.09 KWh  
 Energy consumption per cycle in fan-forced convection: 0.85 KWh

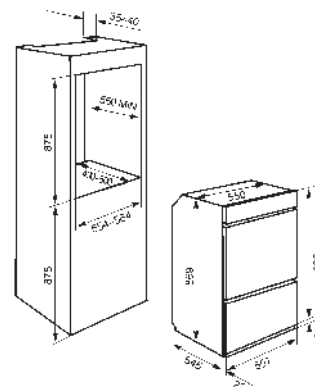
Frequency (Hz): 50/60 Hz  
 Current: 25 Amp  
 Voltage: 220-240 V

**SECONDARY OVEN:****FUNCTIONS SECONDARY OVEN:**

Gross capacity: 41 l  
 Net volume of the cavity: 35 l  
 Minimum temperature: 50 °C  
 Maximum temperature: 270 °C  
 1 halogen lamp (40 W)

**ACCESSORIES INCLUDED:**

2 enamelled deep trays of 40 mm  
 2 inserts for trays  
 3 grids with back stop and side stop  
 Pair partially extractable telescopic guides





### DOSF634X

ELECTRIC THERMOVENTILATED OVEN,  
DOUBLE COLUMN, 60 CM, CLASSICA,  
ANTIFINGERPRINT STAINLESS STEEL



**PLUS:**



**FUNCTIONS:**



Gross capacity: 79 lt  
Net volume of the cavity: 70 l  
Digital display  
Delay start and automatic end cooking program  
Minute minder  
Acoustic alarm  
Temperatures: from 50°C to 250°C  
ECLIPSE glass  
1 halogen lamp (40 W)  
Electrical connection rating (W): 5600 W  
Energy consumption per cycle in fan-forced convection: 0.89 KWh

Frequency (Hz): 50/60 Hz  
Current: 25 Amp  
Voltage: 220-240 V

**SECONDARY OVEN:**



**FUNCTIONS SECONDARY OVEN:**



Gross capacity: 41 l  
Net volume of the cavity: 35 l  
Minimum temperature: 50 °C  
Maximum temperature: 270 °C  
1 halogen lamp (40 W)

**ACCESSORIES INCLUDED:**

2 enamelled deep trays of 40 mm  
2 inserts for trays  
2 grids with back stop and side stop

### DOSF6390X

ELECTRIC THERMOVENTILATED OVEN,  
DOUBLE COLUMN, 60 CM, CLASSICA,  
ANTIFINGERPRINT STAINLESS STEEL



**PLUS:**



**FUNCTIONS:**



Gross capacity: 79 lt  
Net volume of the cavity: 70 l  
20 preset cooking programs  
Large LCD display  
Delay start and automatic end cooking program  
Minute minder  
Acoustic alarm  
Automatic switch-off when door is opened  
Temperatures: from 50°C to 250°C  
ECLIPSE glass  
Lighting when door is opened  
1 halogen lamp (40 W)  
Limited power consumption mode  
Electrical connection rating (W): 5900 W  
Energy consumption per cycle in conventional mode: 0.99 KWh  
Energy consumption per cycle in fan-forced convection: 0.81 KWh

Frequency (Hz): 50/60 Hz  
Current: 26 Amp  
Voltage: 220-240 V

**SECONDARY OVEN:**



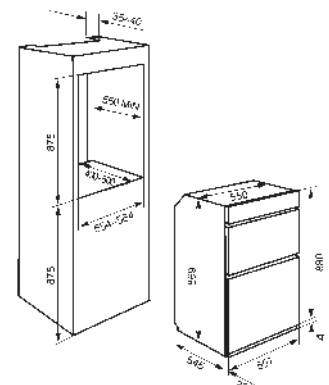
**FUNCTIONS SECONDARY OVEN:**



Gross capacity: 41 l  
Net volume of the cavity: 35 l  
Minimum temperature: 50 °C  
Maximum temperature: 270 °C  
1 halogen lamp (40 W)

**ACCESSORIES INCLUDED:**

Catalytic panel  
2 enamelled deep trays of 40 mm  
2 inserts for trays  
2 grids with back stop and side stop



**SF7390X**

ELECTRIC THERMOVENTILATED OVEN, 70CM, CLASSICA, ANTIFINGERPRINT STAINLESS STEEL

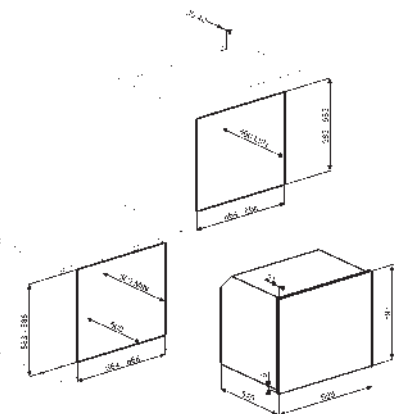
**PLUS:****FUNCTIONS:**

Gross capacity: 90 lt  
 Net volume of the cavity: 77 l  
 20 preset cooking programs  
 Large LCD display  
 Delay start and automatic end cooking program  
 Minute minder  
 Acoustic alarm  
 Electronic thermostatic controls  
 Automatic switch-off when door is opened  
 Temperatures: from 30°C to 280°C  
 ECLIPSE glass  
 Lighting when door is opened  
 2 lamps (25 W)  
 Limited power consumption mode  
 Electrical connection rating (W): 3200 W  
 Energy consumption per cycle in conventional mode: 1.39 KWh  
 Energy consumption per cycle in fan-forced convection: 0.92 KWh

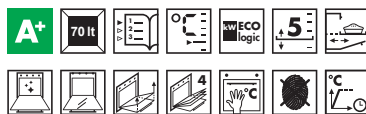
Frequency (Hz): 50/60 Hz  
 Current: 14 Amp  
 Voltage: 220-240 V

**ACCESSORIES INCLUDED:**

2 enamelled trays of 20 mm  
 Insert for tray  
 1 grid with back stop

**SF6395XE**

ELECTRIC THERMOVENTILATED OVEN, 60CM, CLASSICA, ANTIFINGERPRINT STAINLESS STEEL

**PLUS:****FUNCTIONS:**

Gross capacity: 79 lt  
 Net volume of the cavity: 70 l  
 50 preset cooking programs  
 10 free personal cooking programs  
 TFT grafic display  
 Delay start and automatic end cooking program  
 Minute minder  
 Acoustic alarm  
 Electronic thermostatic controls  
 Automatic switch-off when door is opened  
 Temperatures: from 30°C to 280°C  
 Soft close door  
 ECLIPSE glass  
 Lighting when door is opened  
 2 halogen lamps (40 W)  
 Limited power consumption mode  
 Electrical connection rating (W): 3000 W  
 Energy consumption per cycle in conventional mode: 1.05 KWh  
 Energy consumption per cycle in fan-forced convection: 0.68 KWh

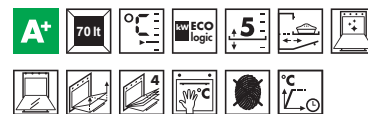
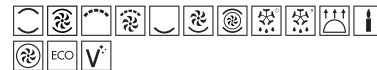
Frequency (Hz): 50/60 Hz  
 Current: 13 Amp  
 Voltage: 220-240 V

**ACCESSORIES INCLUDED:**

Enamelled deep tray of 40 mm  
 Enamelled tray of 20 mm  
 Insert for tray  
 1 grid with back stop and side stop  
 Pair partially extractable telescopic guides

**SF6390XE**

ELECTRIC THERMOVENTILATED OVEN, 60CM, CLASSICA, ANTIFINGERPRINT STAINLESS STEEL

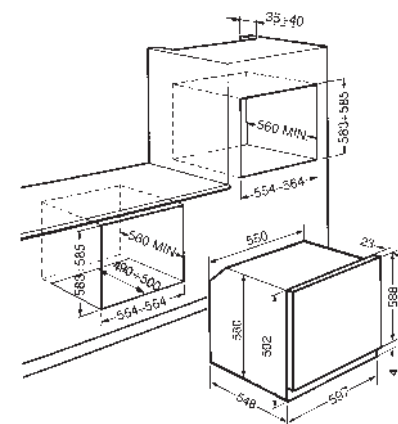
**PLUS:****FUNCTIONS:**

Gross capacity: 79 lt  
 Net volume of the cavity: 70 l  
 20 preset cooking programs  
 Large LCD display  
 Delay start and automatic end cooking program  
 Minute minder  
 Acoustic alarm  
 Electronic thermostatic controls  
 Automatic switch-off when door is opened  
 Temperatures: from 30°C to 280°C  
 Soft close door  
 ECLIPSE glass  
 Lighting when door is opened  
 2 halogen lamps (40 W)  
 Limited power consumption mode  
 Electrical connection rating (W): 3000 W  
 Energy consumption per cycle in conventional mode: 1.05 KWh  
 Energy consumption per cycle in fan-forced convection: 0.68 KWh

Frequency (Hz): 50/60 Hz  
 Current: 13 Amp  
 Voltage: 220-240 V

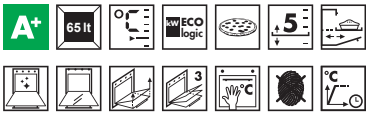
**ACCESSORIES INCLUDED:**

Enamelled deep tray of 40 mm  
 Enamelled tray of 20 mm  
 Insert for tray  
 1 grid with back stop and side stop  
 Pair partially extractable telescopic guides



**SF6390XPZE**

ELECTRIC THERMOVENTILATED OVEN, 60CM, CLASSICA, ANTIFINGERPRINT STAINLESS STEEL

**PLUS:****FUNCTIONS:**

Gross capacity: 79 lt  
 Net volume of the cavity: 65 l  
 20 preset cooking programs  
 Large LCD display  
 Delay start and automatic end cooking program  
 Minute minder  
 Acoustic alarm  
 Electronic thermostatic controls  
 Automatic switch-off when door is opened  
 Temperatures: from 30°C to 280°C  
 Soft close door  
 ECLIPSE glass  
 Lighting when door is opened  
 2 halogen lamps (40 W)  
 Limited power consumption mode  
 Electrical connection rating (W): 3000 W  
 Energy consumption per cycle in conventional mode: 1.05 KWh  
 Energy consumption per cycle in fan-forced convection: 0.66 KWh

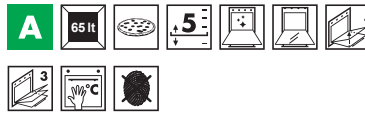
Frequency (Hz): 50/60 Hz  
 Current: 13 Amp  
 Voltage: 220-240 V

**ACCESSORIES INCLUDED:**

Enamelled deep tray of 40 mm  
 Insert for tray  
 1 grid with back stop and side stop  
 Refractory stone with shovel and cover  
 Pair partially extractable telescopic guides

**SF6381XPZ**

ELECTRIC VENTILATED OVEN, 60CM, CLASSICA, ANTIFINGERPRINT STAINLESS STEEL

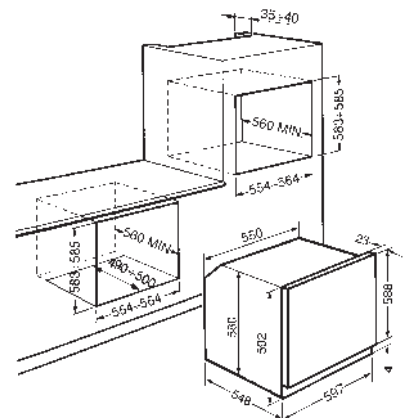
**PLUS:****FUNCTIONS:**

Gross capacity: 79 lt  
 Net volume of the cavity: 65 l  
 Automatic end cooking program  
 Minute minder  
 Acoustic alarm  
 Temperatures: from 50°C to 250°C  
 ECLIPSE glass  
 2 halogen lamps (40 W)  
 Electrical connection rating (W): 3000 W  
 Energy consumption per cycle in conventional mode: 1.09 KWh  
 Energy consumption per cycle in fan-forced convection: 0.87 KWh

Frequency (Hz): 50/60 Hz  
 Current: 13 Amp  
 Voltage: 220-240 V

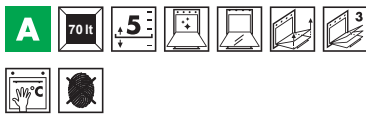
**ACCESSORIES INCLUDED:**

Enamelled deep tray of 40 mm  
 1 grid with back stop  
 Refractory stone with shovel and cover



**SF6388X**

ELECTRIC THERMOVENTILATED OVEN, 60CM, CLASSICA, ANTIFINGERPRINT STAINLESS STEEL

**PLUS:****FUNCTIONS:**

Gross capacity: 79 lt  
 Net volume of the cavity: 70 l  
 Automatic end cooking program  
 Minute minder  
 Acoustic alarm  
 Automatic switch-off when door is opened  
 Temperatures: from 50°C to 250°C  
 ECLIPSE glass  
 Lighting when door is opened  
 2 halogen lamps (40 W)  
 Electrical connection rating (W): 3000 W  
 Energy consumption per cycle in conventional mode: 1.15 kWh  
 Energy consumption per cycle in fan-forced convection: 0.89 kWh

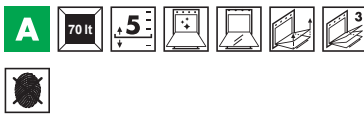
Frequency (Hz): 50/60 Hz  
 Current: 13 Amp  
 Voltage: 220-240 V

**ACCESSORIES INCLUDED:**

Enamelled deep tray of 40 mm  
 Insert for tray  
 1 grid with back stop

**SF6381X**

ELECTRIC VENTILATED OVEN, 60CM, CLASSICA, ANTIFINGERPRINT STAINLESS STEEL

**PLUS:****FUNCTIONS:**

Gross capacity: 79 lt  
 Net volume of the cavity: 70 l  
 Automatic end cooking program  
 Minute minder  
 Acoustic alarm  
 Automatic switch-off when door is opened  
 Temperatures: from 50°C to 250°C  
 ECLIPSE glass  
 1 halogen lamp (40 W)  
 Electrical connection rating (W): 3000 W  
 Energy consumption per cycle in conventional mode: 1.13 kWh  
 Energy consumption per cycle in fan-forced convection: 0.89 kWh

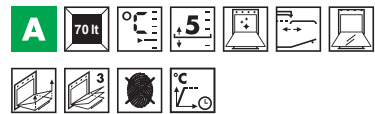
Frequency (Hz): 50/60 Hz  
 Current: 13 Amp  
 Voltage: 220-240 V

**ACCESSORIES INCLUDED:**

Enamelled deep tray of 40 mm  
 1 grid with back stop

**SF6372X**

ELECTRIC THERMOVENTILATED OVEN, 60CM, CLASSICA, ANTIFINGERPRINT STAINLESS STEEL

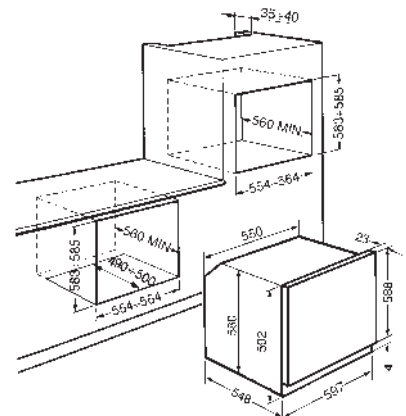
**PLUS:****FUNCTIONS:**

Gross capacity: 79 lt  
 Net volume of the cavity: 70 l  
 Compact LCD display  
 Delay start and automatic end cooking program  
 Minute minder  
 Acoustic alarm  
 Electronic thermostatic controls  
 Automatic switch-off when door is opened  
 Temperatures: from 30°C to 280°C  
 ECLIPSE glass  
 Lighting when door is opened  
 1 halogen lamp (40 W)  
 Electrical connection rating (W): 3000 W  
 Energy consumption per cycle in conventional mode: 1.05 kWh  
 Energy consumption per cycle in fan-forced convection: 0.85 kWh

Frequency (Hz): 50/60 Hz  
 Current: 13 Amp  
 Voltage: 220-240 V

**ACCESSORIES INCLUDED:**

Enamelled deep tray of 40 mm  
 Insert for tray  
 1 grid with back stop



**SF6371X**

ELECTRIC THERMOVENTILATED OVEN,  
60CM, CLASSICA, ANTIFINGERPRINT  
STAINLESS STEEL

**PLUS:****FUNCTIONS:**

Gross capacity: 79 lt  
Net volume of the cavity: 70 l  
Compact LCD display  
Delay start and automatic end cooking program  
Minute minder  
Acoustic alarm  
Temperatures: from 50°C to 250°C  
ECLIPSE glass  
1 halogen lamp (40 W)  
Limited power consumption mode  
Electrical connection rating (W): 3000 W  
Energy consumption per cycle in conventional mode: 1.05 KWh  
Energy consumption per cycle in fan-forced convection: 0.85 KWh

Frequency (Hz): 50/60 Hz  
Current: 13 Amp  
Voltage: 220-240 V

**ACCESSORIES INCLUDED:**

Enamelled deep tray of 40 mm  
Insert for tray  
1 grid with back stop

**SF6341GX**

GAS STATIC OVEN, 60CM, CLASSICA,  
ANTIFINGERPRINT STAINLESS STEEL

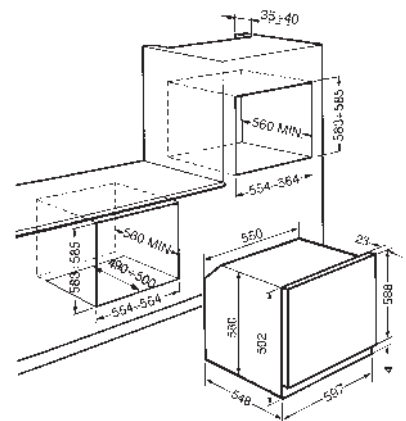
**PLUS:****FUNCTIONS:**

Gross capacity: 70 lt  
Net volume of the cavity: 66 l  
Minute minder  
Temperatures: from 150°C to 265°C  
ECLIPSE glass  
1 halogen lamp (40 W)  
Electrical connection rating (W): 1900 W  
GAS - Energy consumption in conventional mode: 6.4 Mj

Frequency (Hz): 50/60 Hz  
Current: 9 Amp  
Voltage: 220-240 V

**ACCESSORIES INCLUDED:**

Enamelled deep tray of 40 mm  
1 grid with back stop  
Other gas nozzles included: G30 GPL Liquid gas



**SF6341GVX**

GAS VENTILATED OVEN, 60CM, CLASSICA,  
ANTIFINGERPRINT STAINLESS STEEL

**PLUS:****FUNCTIONS:**

Gross capacity: 70 lt  
Net volume of the cavity: 60 l  
Minute minder  
Control knobs  
Temperatures: from 150°C to 265°C  
ECLIPSE glass  
Lighting when door is opened  
1 halogen lamp (40 W)  
Electrical connection rating (W): 1900 W  
GAS - Energy consumption in conventional mode: 6.4 MJ  
GAS - Energy consumption in forced air convection: 7 MJ

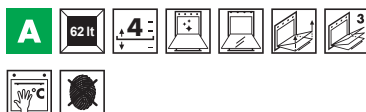
Frequency (Hz): 50/60 Hz  
Current: 9 Amp  
Voltage: 220-240 V

**ACCESSORIES INCLUDED:**

Enamelled deep tray of 40 mm  
Enamelled tray of 20 mm  
Insert for tray  
1 grid with back stop and side stop  
Other gas nozzles included: G30 GPL Liquid gas  
Pair partially extractable telescopic guides  
1 rotisserie kit

**SF6341GGX**

GAS STATIC OVEN, 60CM, CLASSICA,  
ANTIFINGERPRINT STAINLESS STEEL

**PLUS:****FUNCTIONS:**

Gross capacity: 70 lt  
Net volume of the cavity: 62 l  
Gas grill  
Minute minder  
Control knobs  
Temperatures: from 150°C to 265°C  
ECLIPSE glass  
1 halogen lamp (40 W)  
Electrical connection rating (W): 70 W  
GAS - Energy consumption in conventional mode: 6.4 MJ

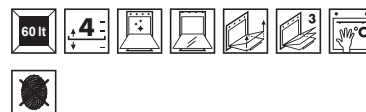
Frequency (Hz): 50/60 Hz  
Current: 1 Amp  
Voltage: 220-240 V

**ACCESSORIES INCLUDED:**

Enamelled deep tray of 40 mm  
1 grid with back stop  
Other gas nozzles included: G30 GPL Liquid gas

**SF6341GGXK**

GAS STATIC OVEN, 60CM, CLASSICA,  
ANTIFINGERPRINT STAINLESS STEEL

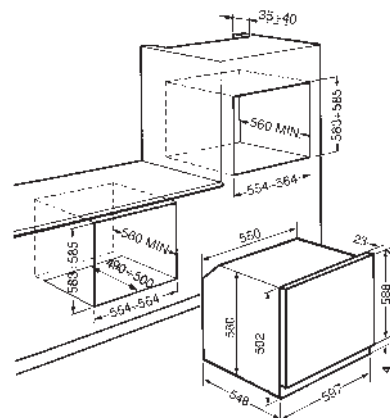
**PLUS:****FUNCTIONS:**

Gross capacity: 70 lt  
Net volume of the cavity: 60 l  
Gas grill  
Minute minder  
Temperatures: from 150°C to 265°C  
ECLIPSE glass  
1 lamp (25 W)  
Electrical connection rating (W): 70 W

Frequency (Hz): 60 Hz  
Voltage: 120 V

**ACCESSORIES INCLUDED:**

Enamelled deep tray of 40 mm  
1 grid with back stop  
Other gas nozzles included: G30 GPL Liquid gas



### SF6371X

ELECTRIC THERMOVENTILATED OVEN, 60CM, CLASSICA, ANTIFINGERPRINT STAINLESS STEEL



**PLUS:**



**FUNCTIONS:**



Gross capacity: 79 lt  
 Net volume of the cavity: 70 l  
 Compact LCD display  
 Delay start and automatic end cooking program  
 Minute minder  
 Acoustic alarm  
 Temperatures: from 50°C to 250°C  
 ECLIPSE glass  
 1 halogen lamp (40 W)  
 Limited power consumption mode  
 Electrical connection rating (W): 3000 W  
 Energy consumption per cycle in conventional mode: 1.05 KWh  
 Energy consumption per cycle in fan-forced convection: 0.85 KWh  
 Frequency (Hz): 50/60 Hz  
 Current: 13 Amp  
 Voltage: 220-240 V

**ACCESSORIES INCLUDED:**

Enamelled deep tray of 40 mm  
 Insert for tray  
 1 grid with back stop

### SF6341GX

GAS STATIC OVEN, 60CM, CLASSICA, ANTIFINGERPRINT STAINLESS STEEL



**PLUS:**



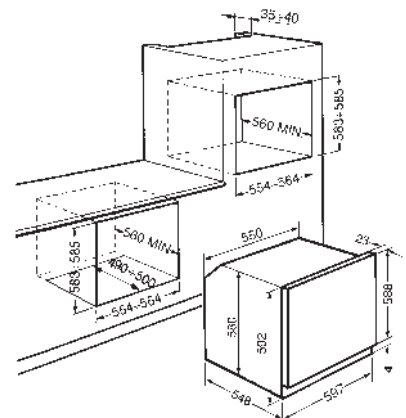
**FUNCTIONS:**



Gross capacity: 70 lt  
 Net volume of the cavity: 66 l  
 Minute minder  
 Temperatures: from 150°C to 265°C  
 ECLIPSE glass  
 1 halogen lamp (40 W)  
 Electrical connection rating (W): 1900 W  
 GAS - Energy consumption in conventional mode: 6.4 Mj  
 Frequency (Hz): 50/60 Hz  
 Current: 9 Amp  
 Voltage: 220-240 V

**ACCESSORIES INCLUDED:**

Enamelled deep tray of 40 mm  
 1 grid with back stop  
 Other gas nozzles included: G30 GPL Liquid gas

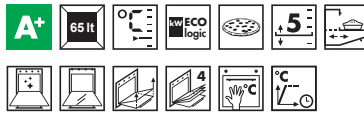


## SFP6925NPZE1

ELECTRIC THERMOVENTILATED OVEN,  
PYROLITIC, 60CM, VICTORIA, BLACK



### PLUS:



### FUNCTIONS:

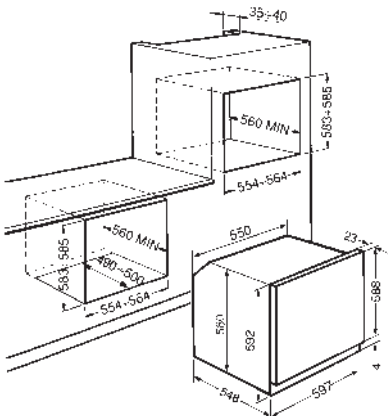


Gross capacity: 79 lt  
 Net volume of the cavity: 65 l  
 20 preset cooking programs  
 Large LCD display  
 Delay start and automatic end cooking program  
 Minute minder  
 Acoustic alarm  
 Control knobs  
 Electronic thermostatic controls  
 Automatic switch-off when door is opened  
 Door lock during pyralisi  
 Temperatures: from 30°C to 280°C  
 Soft close door  
 Lighting when door is opened  
 2 halogen lamps (40 W)  
 Limited power consumption mode  
 Electrical connection rating (W): 3000 W  
 Energy consumption per cycle in conventional mode: 1.05 KWh  
 Energy consumption per cycle in fan-forced convection: 0.66 KWh

Frequency (Hz): 50/60 Hz  
 Current: 13 Amp  
 Voltage: 220-240 V

### ACCESSORIES INCLUDED:

Enamelled deep tray of 40 mm  
 Enamelled tray of 20 mm  
 Insert for tray  
 2 grids with back stop and side stop  
 Refractory stone with shovel and cover  
 Pair fully extractable telescopic guides



**SFP6925PPZE1**  
Cream



**SFP6925BPZE1**  
White



**SFP6925XPZE1**  
Antifingerprint stainless steel





### SF6922BPZE1

ELECTRIC THERMOVENTILATED OVEN,  
60CM, VICTORIA, WHITE



**PLUS:**



**FUNCTIONS:**

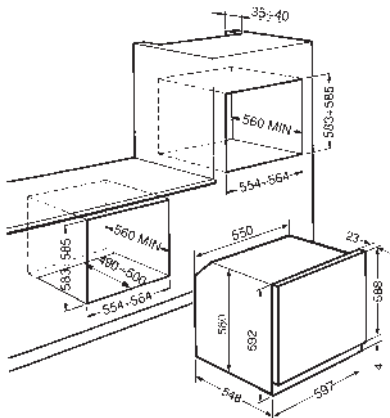


Gross capacity: 79 lt  
 Net volume of the cavity: 65 l  
 20 preset cooking programs  
 Large LCD display  
 Delay start and automatic end cooking program  
 Minute minder  
 Acoustic alarm  
 Control knobs  
 Electronic thermostatic controls  
 Automatic switch-off when door is opened  
 Temperatures: from 30°C to 280°C  
 Soft close door  
 Lighting when door is opened  
 2 halogen lamps (40 W)  
 Limited power consumption mode  
 Electrical connection rating (W): 3000 W  
 Energy consumption per cycle in conventional mode: 1.05 kWh  
 Energy consumption per cycle in fan-forced convection: 0.66 kWh

Frequency (Hz): 50/60 Hz  
 Current: 13 Amp  
 Voltage: 220-240 V

**ACCESSORIES INCLUDED:**

Enamelled deep tray of 40 mm  
 Enamelled tray of 20 mm  
 Insert for tray  
 2 grids with back stop and side stop  
 Refractory stone with shovel and cover  
 Pair fully extractable telescopic guides



**SF6922XPZE1**  
Antifingerprint stainless steel

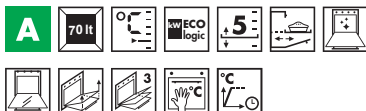


**SF6922NPZE1**  
Black



**SF6922PPZE1**  
Cream



**DOSF6920N1**ELECTRIC THERMOVENTILATED OVEN,  
DOUBLE COLUMN, VICTORIA, BLACK**DOSF6920P1**ELECTRIC THERMOVENTILATED OVEN,  
DOUBLE COLUMN, VICTORIA, CREAM**PLUS:****FUNCTIONS:**

Gross capacity: 79 lt

Net volume of the cavity: 70 l

20 preset cooking programs

Large LCD display

Delay start and automatic end cooking program

Minute minder

Acoustic alarm

Electronic thermostatic controls

Automatic switch-off when door is opened

Temperatures: from 30°C to 280°C

Lighting when door is opened

1 halogen lamp (40 W)

Limited power consumption mode

Electrical connection rating (W): 5600 W

Energy consumption per cycle in conventional mode: 0.99 KWh

Energy consumption per cycle in fan-forced convection: 0.81 KWh

Frequency (Hz): 50/60 Hz

Current: 25 Amp

Voltage: 220-240 V

**SECONDARY OVEN:****FUNCTIONS SECONDARY OVEN:**

Gross capacity: 41 l

Net volume of the cavity: 35 l

Minimum temperature: 50 °C

Maximum temperature: 270 °C

1 halogen lamp (40 W)

**ACCESSORIES INCLUDED:**

2 enamelled deep trays of 40 mm

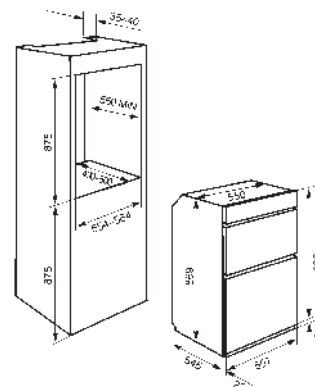
Enamelled tray of 20 mm

2 inserts for trays

1 grid with back stop and side stop

1 grid with back stop

Pair partially extractable telescopic guides





## SF6905X1

ELECTRIC THERMOVENTILATED OVEN,  
60CM, VICTORIA, ANTIFINGERPRINT  
STAINLESS STEEL



### PLUS:



### FUNCTIONS:

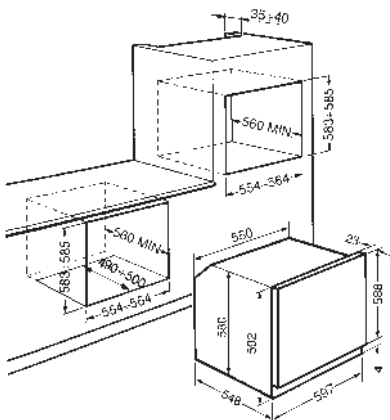


Gross capacity: 79 lt  
 Net volume of the cavity: 70 l  
 Automatic end cooking program  
 Minute minder  
 Acoustic alarm  
 Control knobs  
 Automatic switch-off when door is opened  
 Temperatures: from 50°C to 250°C  
 Lighting when door is opened  
 2 halogen lamps (40 W)  
 Electrical connection rating (W): 3000 W  
 Energy consumption per cycle in conventional mode: 1.15 KWh  
 Energy consumption per cycle in fan-forced convection: 0.89 KWh

Frequency (Hz): 50/60 Hz  
 Current: 13 Amp  
 Voltage: 220-240 V

### ACCESSORIES INCLUDED:

Enamelled deep tray of 40 mm  
 Insert for tray  
 1 grid with back stop



**SF6905P1**  
Cream



**SF6905N1**  
Black



**SF6905B1**  
White



**SFP750AOPZ**

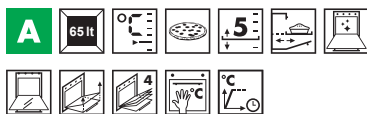
ELECTRIC THERMOVENTILATED OVEN,  
PYROLITIC, 60CM, CORTINA, ANTHRACITE,  
OLD BRASS FINISHING

**SFP750BSPZ**

ELECTRIC THERMOVENTILATED OVEN,  
PYROLITIC, 60CM, CORTINA, WHITE, OLD  
SILVER FINISHING

**SFP750POPZ**

ELECTRIC THERMOVENTILATED OVEN,  
PYROLITIC, 60CM, CORTINA, CREAM, OLD  
BRASS FINISHING

**PLUS:****FUNCTIONS:**

Gross capacity: 79 lt

Net volume of the cavity: 65 l

Analogue clock

Delay start and automatic end cooking  
program

Minute minder

Acoustic alarm

Control knobs

Electronic thermostatic controls

Automatic switch-off when door is opened

Door lock during pyrolysis

Temperatures: from 50°C to 280°C

Soft close door

Lighting when door is opened

2 halogen lamps (40 W)

Electrical connection rating (W): 3000 W

Energy consumption per cycle in conventional  
mode: 1.16 KWh

Energy consumption per cycle in fan-forced  
convection: 0.83 KWh

Frequency (Hz): 50/60 Hz

Current: 13 Amp

Voltage: 220-240 V

**ACCESSORIES INCLUDED:**

2 enamelled deep trays of 40 mm

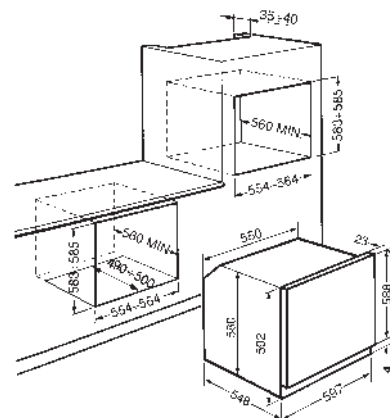
Insert for tray

2 grids with back stop and side stop

Refractory stone with shovel and cover

2 pairs fully extractable telescopic guides

1 rotisserie kit







**SF750AO**

ELECTRIC THERMOVENTILATED OVEN,  
60CM, CORTINA, ANTHRACITE, OLD BRASS  
FINISHING

**PLUS:****FUNCTIONS:**

Gross capacity: 79 lt

Net volume of the cavity: 70 l

Analogue clock

Automatic end cooking program

Minute minder

Acoustic alarm

Control knobs

Automatic switch-off when door is opened

1 grid

Temperatures: from 50°C to 250°C

Lighting when door is opened

2 halogen lamps (40 W)

Electrical connection rating (W): 3000 W

Energy consumption per cycle in conventional mode: 1.15 kWh

Energy consumption per cycle in fan-forced convection: 0.89 kWh

Frequency (Hz): 50 Hz

Current: 13 Amp

Voltage: 220-240 V

**ACCESSORIES INCLUDED:**

Enamelled deep tray of 40 mm

Enamelled tray of 20 mm

Insert for tray

1 grid

1 grid with back stop and side stop

2 pairs fully extractable telescopic guides

**SF750BS**

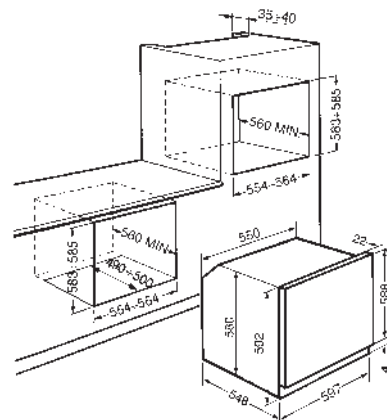
ELECTRIC THERMOVENTILATED OVEN,  
60CM, CORTINA, WHITE, OLD SILVER  
FINISHING

**SF750PO**

ELECTRIC THERMOVENTILATED OVEN,  
60CM, CORTINA, CREAM, OLD BRASS  
FINISHING

**SF750RA**

ELECTRIC THERMOVENTILATED OVEN,  
60CM, CORTINA, COPPER, COPPER  
FINISHING



**SF700PO**

ELECTRIC VENTILATED OVEN, 60CM,  
CORTINA, CREAM, OLD BRASS FINISHING

**PLUS:****FUNCTIONS:**

Gross capacity: 79 lt  
Net volume of the cavity: 70 l  
Analogue clock  
Automatic end cooking program  
Minute minder  
Acoustic alarm  
Control knobs  
Temperatures: from 50°C to 250°C  
1 halogen lamp (40 W)  
Electrical connection rating (W): 3000 W  
Energy consumption per cycle in conventional mode: 1.15 KWh  
Energy consumption per cycle in fan-forced convection: 0.89 KWh

Frequency (Hz): 50 Hz  
Current: 13 Amp  
Voltage: 220-240 V

**ACCESSORIES INCLUDED:**

Enamelled deep tray of 40 mm  
1 grid with back stop

**SF750AO**

ELECTRIC THERMOVENTILATED OVEN,  
60CM, CORTINA, ANTHRACITE, OLD  
BRASS FINISHING

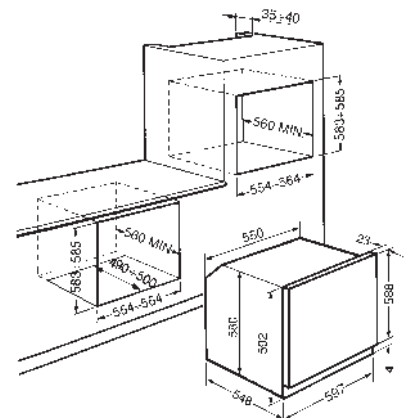
**PLUS:****FUNCTIONS:**

Gross capacity: 79 lt  
Net volume of the cavity: 70 l  
Analogue clock  
Automatic end cooking program  
Minute minder  
Acoustic alarm  
Control knobs  
Automatic switch-off when door is opened  
1 grid  
Temperatures: from 50°C to 250°C  
Lighting when door is opened  
2 halogen lamps (40 W)  
Electrical connection rating (W): 3000 W  
Energy consumption per cycle in conventional mode: 1.15 KWh  
Energy consumption per cycle in fan-forced convection: 0.89 KWh

Frequency (Hz): 50 Hz  
Current: 13 Amp  
Voltage: 220-240 V

**ACCESSORIES INCLUDED:**

Enamelled deep tray of 40 mm  
Enamelled tray of 20 mm  
Insert for tray  
1 grid  
1 grid with back stop and side stop  
2 pairs fully extractable telescopic guides



**SF855AO**

ELECTRIC THERMOVENTILATED OVEN, 60CM, COLONIALE, ANTHRACITE, OLD BRASS FINISHING



**SF855AVO**

ELECTRIC THERMOVENTILATED OVEN, 60CM, COLONIALE, OATS, OLD BRASS FINISHING



**SF855PO**

ELECTRIC THERMOVENTILATED OVEN, 60CM, COLONIALE, CREAM, OLD BRASS FINISHING



**PLUS:**



**FUNCTIONS:**



- Gross capacity: 79 lt
- Net volume of the cavity: 70 l
- Analogue clock
- Automatic end cooking program
- Minute minder
- Acoustic alarm
- Control knobs
- Automatic switch-off when door is opened
- Temperatures: from 50°C to 250°C
- Lighting when door is opened
- 2 halogen lamps (40 W)
- Electrical connection rating (W): 3000 W
- Energy consumption per cycle in conventional mode: 1.15 KWh
- Energy consumption per cycle in fan-forced convection: 0.89 KWh

- Frequency (Hz): 50 Hz
- Current: 13 Amp
- Voltage: 220-240 V

**ACCESSORIES INCLUDED:**

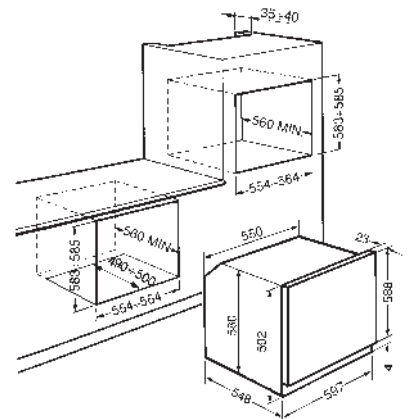
- Enamelled deep tray of 40 mm
- Enamelled tray of 20 mm
- Insert for tray
- 1 grid with back stop and side stop
- 2 pairs fully extractable telescopic guides



**SF855RA**  
Copper, Copper finishing



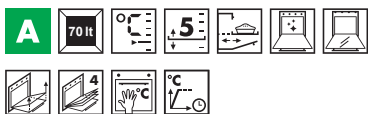
**SF855X**  
Matt stainless steel, Silver finishing





**SFP805AO**

ELECTRIC THERMOVENTILATED OVEN,  
PYROLITIC, 60CM, COLONIALE,  
ANTHRACITE, BRASS FINISHING

**PLUS:****FUNCTIONS:**

Gross capacity: 79 lt

Net volume of the cavity: 70 l

Analogue clock

Delay start and automatic end cooking  
program

Minute minder

Acoustic alarm

Control knobs

Electronic thermostatic controls

Automatic switch-off when door is opened

Door lock during pyrolysi

Temperatures: from 50°C to 280°C

Soft close door

Lighting when door is opened

1 halogen lamp (40 W)

Electrical connection rating (W): 3000 W

Energy consumption per cycle in conventional  
mode: 1.16 KWh

Energy consumption per cycle in fan-forced  
convection: 0.89 KWh

Frequency (Hz): 50/60 Hz

Current: 13 Amp

Voltage: 220-240 V

**ACCESSORIES INCLUDED:**

2 enamelled deep trays of 40 mm

Insert for tray

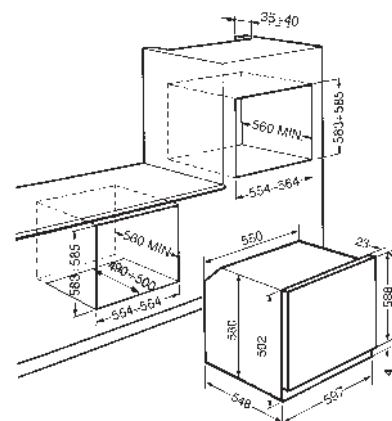
2 grids with back stop and side stop

Pair partially extractable telescopic guides

1 rotisserie kit

**SFP805PO**

ELECTRIC THERMOVENTILATED OVEN,  
PYROLITIC, 60CM, COLONIALE, CREAM,  
OLD BRASS FINISHING

**PLUS:**



SMEG

### SF800GVPO

GAS VENTILATED OVEN, 60CM, COLONIALE, CREAM, OLD BRASS FINISHING



**PLUS:**



**FUNCTIONS:**



Gross capacity: 70 lt  
 Net volume of the cavity: 60 l  
 Analogue clock  
 Minute minder  
 Control knobs  
 Automatic switch-off when door is opened  
 Temperatures: from 150°C to 265°C  
 Lighting when door is opened  
 1 halogen lamp (40 W)  
 Electrical connection rating (W): 1900 W  
 GAS - Energy consumption in conventional mode: 6.4 MJ  
 GAS - Energy consumption in forced air convection: 7 MJ

Frequency (Hz): 50 Hz  
 Current: 9 Amp  
 Voltage: 220-240 V

**ACCESSORIES INCLUDED:**

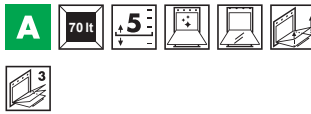
Enamelled deep tray of 40 mm  
 2 grids with back stop  
 Other gas nozzles included: G30 GPL Liquid gas  
 1 rotisserie kit

### SF800AO

ELECTRIC VENTILATED OVEN, 60CM, COLONIALE, ANTHRACITE, OLD BRASS FINISHING



**PLUS:**



**FUNCTIONS:**



Gross capacity: 79 lt  
 Net volume of the cavity: 70 l  
 Analogue clock  
 Automatic end cooking program  
 Minute minder  
 Acoustic alarm  
 Control knobs  
 Temperatures: from 50°C to 250°C  
 1 halogen lamp (40 W)  
 Electrical connection rating (W): 3000 W  
 Energy consumption per cycle in conventional mode: 1.15 KWh  
 Energy consumption per cycle in fan-forced convection: 0.89 KWh

Frequency (Hz): 50 Hz  
 Current: 13 Amp  
 Voltage: 220-240 V

**ACCESSORIES INCLUDED:**

Enamelled deep tray of 40 mm  
 1 grid with back stop

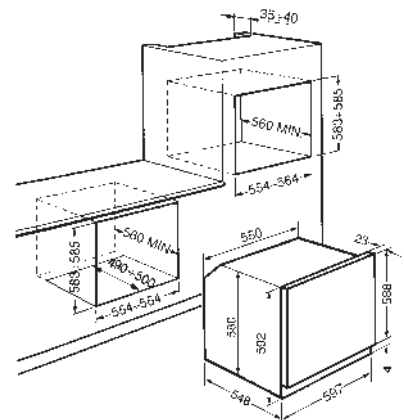
### SF800AVO

ELECTRIC VENTILATED OVEN, 60CM, COLONIALE, OATS, OLD BRASS FINISHING



### SF800PO

ELECTRIC VENTILATED OVEN, 60CM, COLONIALE, CREAM, OLD BRASS FINISHING







SMEG

**SFT805PO**

ELECTRIC THERMOVENTILATED OVEN,  
CATALYTIC, 60CM, COLONIALE, CREAM,  
OLD BRASS FINISHING

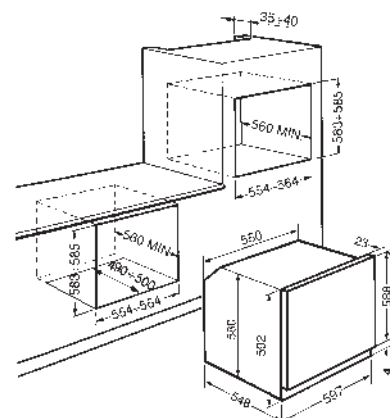
**PLUS:****FUNCTIONS:**

Gross capacity: 79 lt  
 Net volume of the cavity: 70 l  
 Analogue clock  
 Automatic end cooking program  
 Minute minder  
 Acoustic alarm  
 Control knobs  
 Automatic switch-off when door is opened  
 Temperatures: from 50°C to 250°C  
 Lighting when door is opened  
 1 halogen lamp (40 W)  
 Electrical connection rating (W): 3000 W  
 Energy consumption per cycle in conventional mode: 1.15 KWh  
 Energy consumption per cycle in fan-forced convection: 0.89 KWh

Frequency (Hz): 50 Hz  
 Current: 13 Amp  
 Voltage: 220-240 V

**ACCESSORIES INCLUDED:**

Catalytic panel  
 Enamelled deep tray of 40 mm  
 Enamelled tray of 20 mm  
 Insert for tray  
 1 grid with back stop and side stop  
 Pair partially extractable telescopic guides



### SF9800PRO

ELECTRIC THERMOVENTILATED OVEN, REDUCED HEIGHT 90 CM, COLONIALE, CREAM, OLD BRASS FINISHING



**PLUS:**



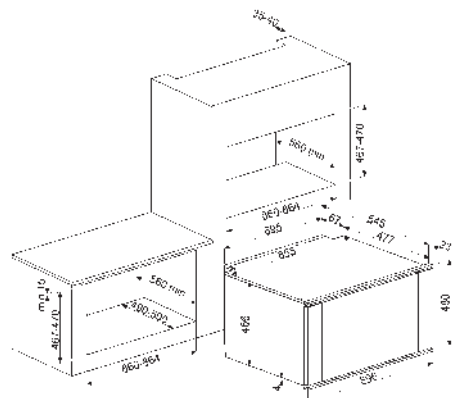
**FUNCTIONS:**



Gross capacity: 90 lt  
 Net volume of the cavity: 77 l  
 Digital display  
 Automatic end cooking program  
 Minute minder  
 Acoustic alarm  
 Automatic switch-off when door is opened  
 Temperatures: from 50°C to 250°C  
 Lighting when door is opened  
 2 halogen lamps (40 W)  
 Electrical connection rating (W): 3000 W  
 Energy consumption per cycle in conventional mode: 1.25 kWh  
 Energy consumption per cycle in fan-forced convection: 0.9 kWh  
  
 Frequency (Hz): 50/60 Hz  
 Current: 13 Amp  
 Voltage: 220-240 V

**ACCESSORIES INCLUDED:**

2 enamelled deep trays of 40 mm  
 Insert for tray  
 1 grid with back stop and side stop  
 Pair fully extractable telescopic guides



**SFP6402TVX**

ELECTRIC THERMOVENTILATED OVEN,  
PYROLITIC, 60CM, SELEZIONE,  
ANTIFINGERPRINT STAINLESS STEEL

**PLUS:****FUNCTIONS:**

Gross capacity: 79 lt  
Net volume of the cavity: 70 l  
20 preset cooking programs  
Door Standard opening  
Large LCD display  
Delay start and automatic end cooking program  
Minute minder  
Electronic timer  
Standard tones  
Acoustic alarm  
Electronic thermostatic controls  
Automatic switch-off when door is opened  
Door lock during pyrolysis  
Temperatures: from 30°C to 280°C  
Soft close door  
ECLIPSE glass  
Lighting when door is opened  
1 halogen lamp (40 W)  
Limited power consumption mode  
Electrical connection rating (W): 3000 W  
Energy consumption per cycle in conventional mode: 1.09 kWh  
Energy consumption per cycle in fan-forced convection: 0.68 kWh

Frequency (Hz): 50/60 Hz  
Current: 13 Amp  
Voltage: 220-240 V  
Enamelled deep tray of 40 mm

**ACCESSORIES INCLUDED:**

Enamelled deep tray of 40 mm  
2 grids with back stop



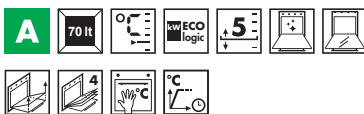
**SFP6401TVS**  
Silver glass



**SFP6401TVX**  
Antifingerprint stainless steel

**SFP6401TVN**

ELECTRIC THERMOVENTILATED OVEN,  
PYROLITIC, 60CM, SELEZIONE, BLACK,  
STAINLESS STEEL FINISHING

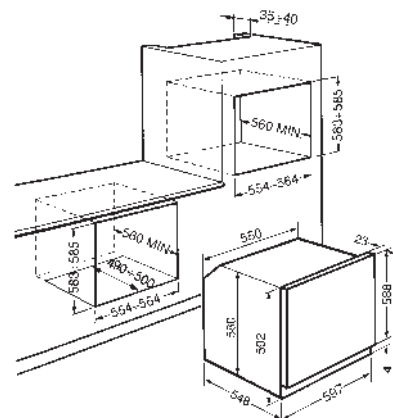
**PLUS:****FUNCTIONS:**

Gross capacity: 79 lt  
Net volume of the cavity: 70 l  
Door Standard opening  
Compact LCD display  
Delay start and automatic end cooking program  
Minute minder  
Electronic timer  
Standard tones  
Acoustic alarm  
Electronic thermostatic controls  
Automatic switch-off when door is opened  
Door lock during pyrolysis  
Temperatures: from 30°C to 280°C  
Lighting when door is opened  
1 halogen lamp (40 W)  
Limited power consumption mode  
Electrical connection rating (W): 3000 W  
Energy consumption per cycle in conventional mode: 1.09 kWh  
Energy consumption per cycle in fan-forced convection: 0.8 kWh

Frequency (Hz): 50/60 Hz  
Current: 13 Amp  
Voltage: 220-240 V  
Enamelled deep tray of 40 mm

**ACCESSORIES INCLUDED:**

Enamelled deep tray of 40 mm  
1 grid with back stop



### SFP6401PZVS

ELECTRIC VENTILATED OVEN, PYROLITIC, 60CM, SELEZIONE, SILVER GLASS, STAINLESS STEEL FINISHING



**PLUS:**



**FUNCTIONS:**



Gross capacity: 79 lt  
 Net volume of the cavity: 65 l  
 Door Standard opening  
 Compact LCD display  
 Delay start and automatic end cooking program  
 Minute minder  
 Electronic timer  
 Standard tones  
 Acoustic alarm  
 Electronic thermostatic controls  
 Automatic switch-off when door is opened  
 Door lock during pyrolysis  
 Temperatures: from 30°C to 280°C  
 Stopsol glass  
 Lighting when door is opened  
 2 halogen lamps (40 W)  
 Limited power consumption mode  
 Electrical connection rating (W): 3000 W  
 Energy consumption per cycle in conventional mode: 1.05 KWh  
 Energy consumption per cycle in fan-forced convection: 0.78 KWh

Frequency (Hz): 50/60 Hz  
 Current: 13 Amp  
 Voltage: 220-240 V  
 Enamelled deep tray of 40 mm

**ACCESSORIES INCLUDED:**

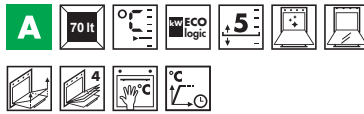
Enamelled deep tray of 40 mm  
 1 grid with back stop  
 Refractory stone with shovel and cover

### SFP6401VS

ELECTRIC VENTILATED OVEN, PYROLITIC, 60CM, SELEZIONE, SILVER GLASS, STAINLESS STEEL FINISHING



**PLUS:**



**FUNCTIONS:**



Gross capacity: 79 lt  
 Net volume of the cavity: 70 l  
 Door Standard opening  
 Compact LCD display  
 Delay start and automatic end cooking program  
 Minute minder  
 Electronic timer  
 Standard tones  
 Acoustic alarm  
 Electronic thermostatic controls  
 Automatic switch-off when door is opened  
 Door lock during pyrolysis  
 Temperatures: from 30°C to 280°C  
 Stopsol glass  
 Lighting when door is opened  
 1 halogen lamp (40 W)  
 Limited power consumption mode  
 Electrical connection rating (W): 3000 W  
 Energy consumption per cycle in conventional mode: 0.8 KWh  
 Energy consumption per cycle in fan-forced convection: 1.09 KWh

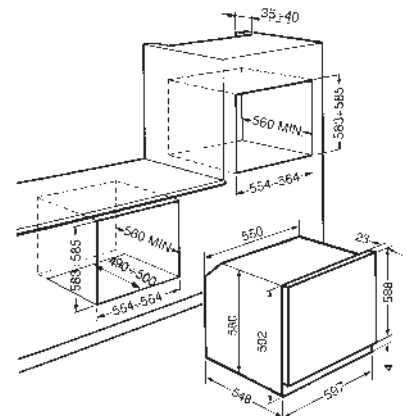
Frequency (Hz): 50/60 Hz  
 Current: 13 Amp  
 Voltage: 220-240 V  
 Enamelled deep tray of 40 mm

**ACCESSORIES INCLUDED:**

Enamelled deep tray of 40 mm  
 1 grid with back stop



**SFP6401VX**  
 Antifingerprint stainless steel



**SFC64M3VX**

ELECTRIC VENTILATED OVEN, CATALYTIC,  
60CM, SELEZIONE, ANTIFINGERPRINT  
STAINLESS STEEL

**PLUS:****FUNCTIONS:**

Gross capacity: 79 lt  
Net volume of the cavity: 70 l  
Door Standard opening  
Automatic end cooking program  
Minute minder  
Electromechanical timer  
Standard tones  
Acoustic alarm  
Temperatures: from 50°C to 250°C  
ECLIPSE glass  
1 halogen lamp (40 W)  
Electrical connection rating (W): 3000 W  
Energy consumption per cycle in conventional mode: 1.15 KWh  
Energy consumption per cycle in fan-forced convection: 0.8 KWh

Frequency (Hz): 50/60 Hz  
Current: 13 Amp  
Voltage: 220-240 V  
Enamelled deep tray of 40 mm

**ACCESSORIES INCLUDED:**

Catalytic panel  
Enamelled deep tray of 40 mm  
1 grid with back stop

**SFC6400VX**

ELECTRIC VENTILATED OVEN, CATALYTIC,  
60CM, SELEZIONE, ANTIFINGERPRINT  
STAINLESS STEEL

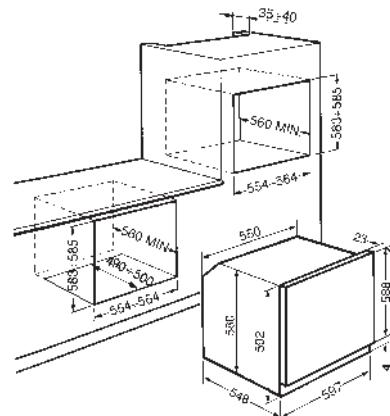
**PLUS:****FUNCTIONS:**

Gross capacity: 79 lt  
Net volume of the cavity: 70 l  
Door Standard opening  
Delay start and automatic end cooking program  
Minute minder  
Electronic timer  
Standard tones  
Acoustic alarm  
Temperatures: from 50°C to 250°C  
ECLIPSE glass  
Lighting when door is opened  
1 halogen lamp (40 W)  
Electrical connection rating (W): 3000 W  
Energy consumption per cycle in conventional mode: 1.15 KWh  
Energy consumption per cycle in fan-forced convection: 0.8 KWh

Frequency (Hz): 50/60 Hz  
Current: 13 Amp  
Voltage: 220-240 V  
Enamelled deep tray of 40 mm

**ACCESSORIES INCLUDED:**

Catalytic panel  
Enamelled deep tray of 40 mm  
1 grid with back stop



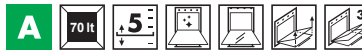
**SF64M3PZS**ELECTRIC THERMOVENTILATED OVEN,  
60CM, SELEZIONE, SILVER GLASS**PLUS:****FUNCTIONS:**

Gross capacity: 79 lt  
 Net volume of the cavity: 65 l  
 Door Standard opening  
 Automatic end cooking program  
 Minute minder  
 Electromechanical timer  
 Standard tones  
 Acoustic alarm  
 Control knobs  
 Temperatures: from 50°C to 250°C  
 Stopsol glass  
 2 halogen lamps (40 W)  
 Electrical connection rating (W): 3000 W  
 Energy consumption per cycle in conventional mode: 1.09 KWh  
 Energy consumption per cycle in fan-forced convection: 0.78 KWh

Frequency (Hz): 50/60 Hz  
 Current: 13 Amp  
 Voltage: 220-240 V  
 Enamelled deep tray of 40 mm

**ACCESSORIES INCLUDED:**

Enamelled deep tray of 40 mm  
 1 grid with back stop  
 Refractory stone with shovel and cover

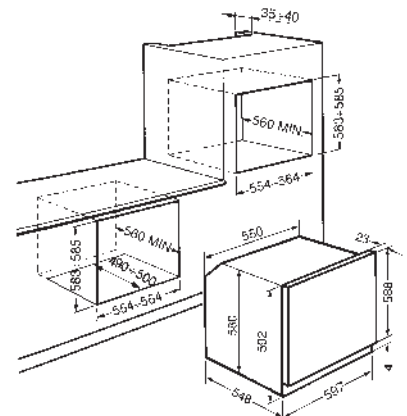
**SF64M3TVS**ELECTRIC THERMOVENTILATED OVEN,  
60CM, SELEZIONE, SILVER GLASS,  
STAINLESS STEEL FINISHING**PLUS:****FUNCTIONS:**

Gross capacity: 79 lt  
 Net volume of the cavity: 70 l  
 Door Standard opening  
 Automatic end cooking program  
 Minute minder  
 Electromechanical timer  
 Standard tones  
 Acoustic alarm  
 Automatic switch-off when door is opened  
 Temperatures: from 50°C to 250°C  
 Stopsol glass  
 Lighting when door is opened  
 1 halogen lamp (40 W)  
 Electrical connection rating (W): 3000 W  
 Energy consumption per cycle in conventional mode: 1.15 KWh  
 Energy consumption per cycle in fan-forced convection: 0.8 KWh

Frequency (Hz): 50/60 Hz  
 Current: 13 Amp  
 Voltage: 220-240 V  
 Enamelled deep tray of 40 mm

**ACCESSORIES INCLUDED:**

Enamelled deep tray of 40 mm  
 Insert for tray  
 1 grid with back stop



**SF64M3VB**

ELECTRIC VENTILATED OVEN, 60CM,  
SELEZIONE, WHITE, STAINLESS STEEL  
FINISHING

**PLUS:****FUNCTIONS:**

Gross capacity: 79 lt  
Net volume of the cavity: 70 l  
Door Standard opening  
Automatic end cooking program  
Minute minder  
Electromechanical timer  
Standard tones  
Acoustic alarm  
Temperatures: from 50°C to 250°C  
1 halogen lamp (40 W)  
Electrical connection rating (W): 3000 W  
Energy consumption per cycle in conventional mode: 1.15 kWh  
Energy consumption per cycle in fan-forced convection: 0.8 kWh

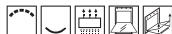
Frequency (Hz): 50/60 Hz  
Current: 13 Amp  
Voltage: 220-240 V  
Enamelled deep tray of 40 mm

**ACCESSORIES INCLUDED:**

Enamelled deep tray of 40 mm  
Insert for tray  
1 grid with back stop

**SF64M2GN**

GAS STATIC OVEN, 60CM, SELEZIONE,  
BLACK, STAINLESS STEEL FINISHING

**PLUS:****FUNCTIONS:**

Gross capacity: 70 lt  
Net volume of the cavity: 66 l  
Door Standard opening  
No delay options  
Minute minder  
Electromechanical timer  
Temperatures: from 150°C to 265°C  
1 halogen lamp (40 W)  
Electrical connection rating (W): 1900 W  
GAS - Energy consumption in conventional mode: 6.4 MJ

Frequency (Hz): 50/60 Hz  
Current: 9 Amp  
Voltage: 220-240 V  
Enamelled deep tray of 40 mm

**ACCESSORIES INCLUDED:**

Enamelled deep tray of 40 mm  
1 grid with back stop  
Other gas nozzles included: G30 GPL Liquid gas



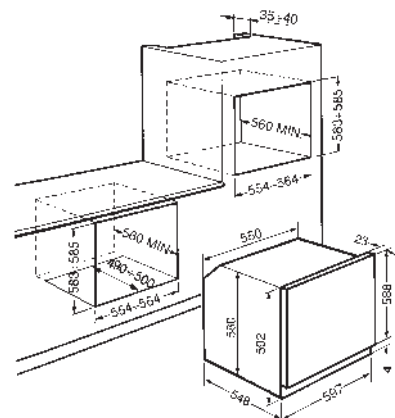
**SF64M3VX**  
Antifingerprint stainless steel



**SF64M3VN**  
Black, Stainless steel finishing



**SF64M3VS**  
Silver glass, Stainless steel finishing



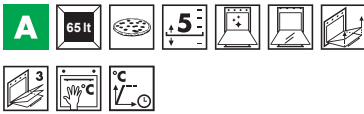


### SF6400PZS

ELECTRIC THERMOVENTILATED OVEN, 60CM, SELEZIONE, SILVER GLASS, STAINLESS STEEL FINISHING



**PLUS:**



**FUNCTIONS:**



Gross capacity: 79 lt  
 Net volume of the cavity: 65 l  
 Delay start and automatic end cooking program  
 Minute minder  
 Electromechanical timer  
 Standard tones  
 Acoustic alarm  
 Temperatures: from 50°C to 250°C  
 Stopsol glass  
 2 halogen lamps (40 W)  
 Electrical connection rating (W): 3000 W  
 Energy consumption per cycle in conventional mode: 1.09 KWh  
 Energy consumption per cycle in fan-forced convection: 0.78 KWh

Frequency (Hz): 50/60 Hz  
 Current: 13 Amp  
 Voltage: 220-240 V  
 Enamelled deep tray of 40 mm

**ACCESSORIES INCLUDED:**

Enamelled deep tray of 40 mm  
 Insert for tray  
 1 grid with back stop  
 Refractory stone with shovel and cover

### SF6400TVN

ELECTRIC THERMOVENTILATED OVEN, 60CM, SELEZIONE, BLACK, STAINLESS STEEL FINISHING



**PLUS:**



**FUNCTIONS:**



Gross capacity: 79 lt  
 Net volume of the cavity: 70 l  
 Door Standard opening  
 Delay start and automatic end cooking program  
 Minute minder  
 Electromechanical timer  
 Standard tones  
 Acoustic alarm  
 Automatic switch-off when door is opened  
 Temperatures: from 50°C to 280°C  
 Lighting when door is opened  
 1 halogen lamp (40 W)  
 Electrical connection rating (W): 3000 W  
 Energy consumption per cycle in conventional mode: 1.15 KWh  
 Energy consumption per cycle in fan-forced convection: 0.8 KWh

Frequency (Hz): 50/60 Hz  
 Current: 13 Amp  
 Voltage: 220-240 V  
 Enamelled deep tray of 40 mm

**ACCESSORIES INCLUDED:**

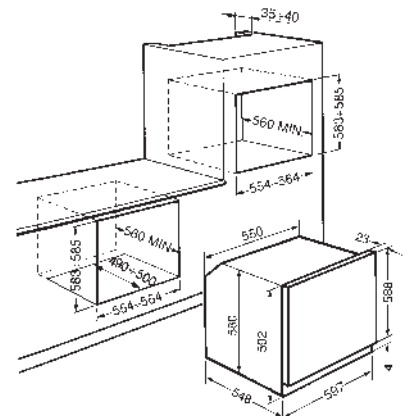
Enamelled deep tray of 40 mm  
 Insert for tray  
 1 grid with back stop



**SF6400TVX**  
 Antifingerprint stainless steel



**SF6400TVS**  
 Silver glass, Stainless steel finishing



# COMPACT APPLIANCES

Smeg offers 45 cm high compact appliances with various functions that can be combined with each other for a uniform and sleek design of the kitchen.



## COMPACT OVENS

# *individual cooking options*

Compact appliances are available in different series: Linea, Classica, Cortina, Victoria, Coloniale or Dolce Stil Novo; they will be a wonderful addition to any kitchen, both in modern and in classic style.



**LINEA**



**CLASSICA**



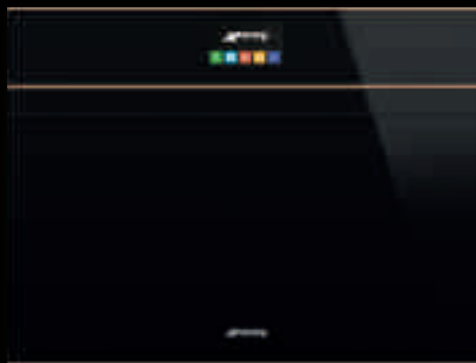
**VICTORIA**



**CORTINA**



**COLONIALE**



**DOLCE STIL NOVO**

## COOKING VERSATILITY

# *maximum functionality*

Modern compact appliances Smeg are available in various categories: oven with microwave, microwave with grill, oven with steamer, steamer, multi-function oven with pyrolytic cleaning and "Pizza" function.



### OVEN WITH PYROLYTIC CLEANING AND "PIZZA" FUNCTION

The oven is equipped with an automatic cleaning function, at which the temperature achieves about 500 ° C, completely destroying the dirt without use of detergents. These models also have special pizza stone, which allows you to make excellent, evenly deep fried pizza in 3-4 minutes.



### OVENS WITH MICROWAVES

Traditional cooking using microwaves – allows to achieve perfect results more quickly. The effect of microwaves reduces cooking time up to 30%, while the traditional cooking mode will provide excellent frying and crispy crust.



### MICROWAVE OVENS

Microwaves, penetrating directly into the food, allow to cook very quickly and with energy savings. This mode is suitable for cooking without fat, as well as for defrosting and warming up products without changing their appearance.



### OVENS COMBINED WITH STEAMER

Smeg compact appliances can incorporate two different cooking systems. The combination of traditional cooking with steam increases the number of ways of preparation and versatility in the kitchen.



### STEAMERS

Smeg compact appliances with steam function provide maximum flexibility in the use of appliances and allow to cook tasty and healthy food.

# *advanced technologies*



Smeg presents compact ovens with one of the largest cavities on the market: volume - 41 litres



### A+ ENERGY EFFICIENCY CLASS

Energy efficiency class A + in Smeg compact ovens ensures minimum power consumption, which has a favorable impact on the environment and the costs of consumers.



### 3 COOKING LEVELS

3 cooking levels provide maximum flexibility, thus saving time when you need to cook several meals at the same time, or a large amount of food.

## NEW COMPACT OVENS: PERSONAL CHOICE

### *perfect combination*

Different by functionality, compact appliances Smeg are represented in different design series. They will be a wonderful addition to any kitchen, both in modern and in classic style.

### *horizontal alignment*

Compact ovens 45 cm high are distinguished by their efficiency and aesthetics. This variety of options to furnish the kitchen of your dream. They can be combined with coffee machines or with traditional ovens 60 cm high, built in the column or horizontally.



### *vertical alignment*

Traditional ovens 60 cm high can be arranged vertically and placed one above the other, if there is insufficient space in the kitchen to arrange them in a line.

## COMBINED MICROWAVE OVENS

### *comfort use*

Combination of traditional ovens with compact appliances maximizes cooking versatility. Various accessories, such as trays and grids can be used in different appliances, making them more flexible.

#### TILTING GRILL

Allows you to easily clean the upper panel from the grease.



There are two halogen lamps located on the sides of the cavity at different levels for better illumination of the inside of the oven.

#### SOFT CLOSE SYSTEM

Silent and easy closing of the appliance door, thanks to a new depreciation system.

#### ENERGY SAVING

The maximum capacity of microwave ovens is 1000 W; this reduces the cooking time until 30%.

#### FLAT GLASS DOOR

The inner glass of the oven door has a very smooth surface, without any screws.

#### METAL CLIPS

The door of the combined microwave oven has metal clips of high quality which help the door fit snugly to the body of the appliance during cooking, providing additional safety.

#### WITHOUT TURNTABLE

Most of SMEG microwaves do not have a turntable, which provides several advantages: full use of the entire working chamber, easy cleaning and additional thermal insulation. As a result - the food is evenly warmed up and almost no energy is consumed.



## COMPACT OVENS COMBINED WITH STEAMER

# *healthy lifestyle*

The possibility to regulate the level of steam from 25% to 75% will provide maximum flexibility in use of devices and will allow to cook tasty and healthy food.



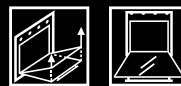
### INNER CHAMBER

The inner chamber has rounded internal corners, which facilitates gathering of condensate at the end of cooking.



### WATER LOADING

The innovative Fill&Hide system fills and empties water through a telescopic and flexible tube that disappears in the cavity when not used, without impacting on the storage volume or the oven aesthetic.



### REMOVABLE INNER GLASS

The inner glass of the oven door has a very smooth surface, without any screws, which considerably facilitates the care of the oven.



### WARMING UP WITH STEAM

This function allows you to reheat previously cooked meals, maintaining the quality of food.

### SOFT CLOSE SYSTEM

Silent and easy closing of the appliance door, thanks to a new depreciation system.



## COFFEE BREAK

# *perfect beginning of the day*

For those who like to invite guests to their home and drink good coffee Smeg offers built-in automatic coffee machines, as well as coffee machines with automatic cappuccino-maker, that are easy to use and make perfect coffee.

They are available in different aesthetic lines and colors, and are perfectly combined with other Smeg built-in appliances.



Each time you switch on the coffee machine, it is automatically rinsed with hot water.

3 options of cup volume and 5 levels of coffee strength.



You can use ground coffee or coffee beans in the coffee machine with the possibility to adjust the coarseness of the grind.



Touch control facilitates using of coffee machine as it activates various functions with a simple touch.



All models have an automatic cappuccino-maker that will whisk milk into delicate foam directly into the cup.



## SF4604PVCNR1

COMBINATION STEAM OVEN, VAPOR CLEAN,  
COMPACT 45 CM, DOLCE STIL NOVO, HIDDEN  
HANDLE, BLACK, COPPER FINISHING

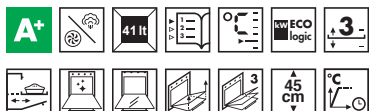


## SF4604PVCNX1

COMBINATION STEAM OVEN, VAPOR CLEAN,  
COMPACT 45 CM, DOLCE STIL NOVO, HIDDEN  
HANDLE, BLACK, STAINLESS STEEL FINISHING



### PLUS:



### FUNCTIONS:



Gross capacity: 50 lt  
 Net volume of the cavity: 41 l  
 Other Steam functions: Tank cleaning, Water outlet, Water input  
 50 preset cooking programs  
 10 free personal cooking programs  
 TFT graphic display with colours touch screen  
 Delay start and automatic end cooking program  
 Minute minder  
 Acoustic alarm  
 Electronic thermostatic controls  
 Automatic switch-off when door is opened  
 Steam stop when door is opened  
 Temperatures: from 30°C to 250°C  
 Soft close door  
 ECLIPSE glass  
 Lighting when door is opened  
 1 halogen lamp (40 W)  
 Limited power consumption mode  
 Electrical connection rating (W): 3100 W  
 Energy consumption per cycle in conventional mode: 0.85 kWh  
 Energy consumption per cycle in fan-forced convection: 0.59 kWh

Frequency (Hz): 50/60 Hz

Current: 14 Amp

Voltage: 220-240 V

### ACCESSORIES INCLUDED:

Enamelled deep tray of 40 mm

Insert for tray

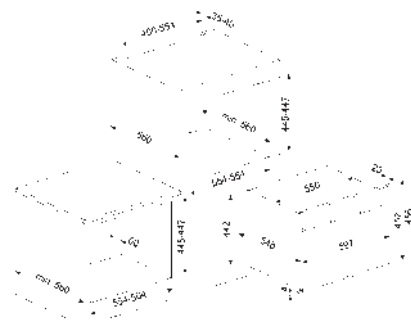
1 grid with back stop

1 st steel deep tray of 40 mm

1 st steel tray

Pair partially extractable telescopic guides

Other: Sponge





## SF4604VCNR1

COMBINATION STEAM OVEN, VAPOR CLEAN, COMPACT 45 CM, DOLCE STIL NOVO, BLACK, COPPER FINISHING

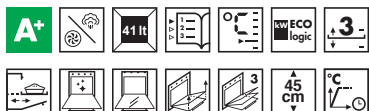


## SF4604VCNX1

COMBINATION STEAM OVEN, VAPOR CLEAN, COMPACT 45 CM, DOLCE STIL NOVO, BLACK, STAINLESS STEEL FINISHING



### PLUS:



### FUNCTIONS:

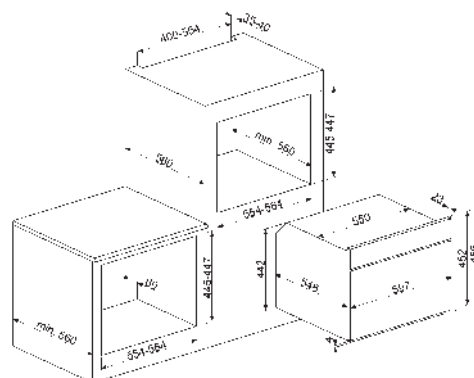


Gross capacity: 50 lt  
 Net volume of the cavity: 41 l  
 Other Steam functions: Tank cleaning, Water outlet, Water input  
 50 preset cooking programs  
 10 free personal cooking programs  
 TFT graphic display with colours touch screen  
 Delay start and automatic end cooking program  
 Minute minder  
 Acoustic alarm  
 Electronic thermostatic controls  
 Automatic switch-off when door is opened  
 Steam stop when door is opened  
 Temperatures: from 30°C to 250°C  
 Soft close door  
 ECLIPSE glass  
 Lighting when door is opened  
 1 halogen lamp (40 W)  
 Limited power consumption mode  
 Electrical connection rating (W): 3100 W  
 Energy consumption per cycle in conventional mode: 0.85 KWh  
 Energy consumption per cycle in fan-forced convection: 0.59 KWh

Frequency (Hz): 50/60 Hz  
 Current: 14 Amp  
 Voltage: 220-240 V

### ACCESSORIES INCLUDED:

Enamelled deep tray of 40 mm  
 Insert for tray  
 1 grid with back stop  
 1 st steel deep tray of 40 mm  
 1 st steel tray  
 Pair partially extractable telescopic guides  
 Other: Sponge





## SF4604PMCNR

ELECTRIC COMBINATION MICROWAVE OVEN, VAPOR CLEAN, COMPACT 45 CM, DOLCE STIL NOVO, HIDDEN HANDLE, BLACK, COPPER FINISHING

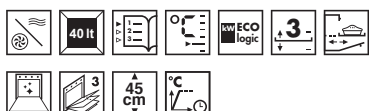


## SF4604PMCNX

ELECTRIC COMBINATION MICROWAVE OVEN, VAPOR CLEAN, COMPACT 45 CM, DOLCE STIL NOVO, HIDDEN HANDLE, BLACK, STAINLESS STEEL FINISHING



### PLUS:



### FUNCTIONS:

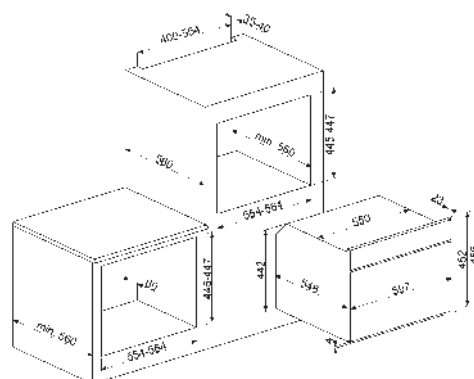


Gross capacity: 50 lt  
 Net volume of the cavity: 40 l  
 50 preset cooking programs  
 10 free personal cooking programs  
 TFT graphic display with colours touch screen  
 Delay start and automatic end cooking program  
 Minute minder  
 Acoustic alarm  
 Electronic thermostatic controls  
 Automatic switch-off when door is opened  
 Temperatures: from 30°C to 250°C  
 Soft close door  
 ECLIPSE glass  
 lighting when door is opened  
 2 halogen lamps (40 W)  
 Microwave screen protection  
 Microwave effective power: 1000 W  
 limited power consumption mode  
 Electrical connection rating (W): 3100 W

Frequency (Hz): 50 Hz  
 Current: 14 Amp  
 Voltage: 220-240 V

### ACCESSORIES INCLUDED:

1 glass tray  
 Insert for tray  
 1 grid with back stop and side stop  
 Pair partially extractable telescopic guides





### SF4604MCNR

ELECTRIC COMBINATION MICROWAVE OVEN,  
VAPOR CLEAN, COMPACT 45 CM, DOLCE STIL  
NOVO, BLACK, COPPER FINISHING

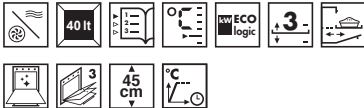


### SF4604MCNX

ELECTRIC COMBINATION MICROWAVE OVEN,  
VAPOR CLEAN, COMPACT 45 CM, DOLCE STIL  
NOVO, BLACK, STAINLESS STEEL FINISHING



**PLUS:**



**FUNCTIONS:**

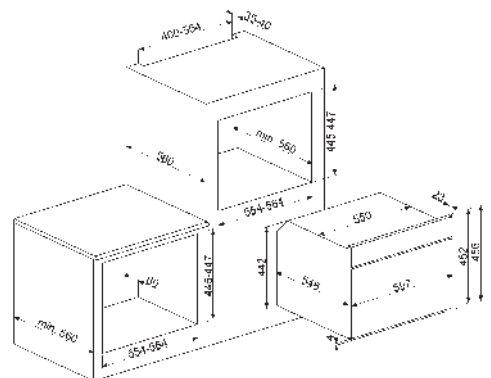


- Gross capacity: 50 lt
- Net volume of the cavity: 40 l
- 50 preset cooking programs
- 10 free personal cooking programs
- TFT grafic display with colours touch screen
- Delay start and automatic end cooking program
- Minute minder
- Acoustic alarm
- Electronic thermostatic controls
- Automatic switch-off when door is opened
- Temperatures: from 30°C to 250°C
- Soft close door
- ECLIPSE glass
- lighting when door is opened
- 2 halogen lamps (40 W)
- Microwave screen protection
- Microwave effective power: 1000 W
- Limited power consumption mode
- Electrical connection rating (W): 3100 W

Frequency (Hz): 50 Hz  
Current: 14 Amp  
Voltage: 220-240 V

**ACCESSORIES INCLUDED:**

- 1 glass tray
- Insert for tray
- 1 grid with back stop and side stop
- Pair partially extractable telescopic guides







## SF4603VCNR1

COMBINATION STEAM OVEN, VAPOR CLEAN, COMPACT 45 CM, DOLCE STIL NOVO, BLACK, COPPER FINISHING

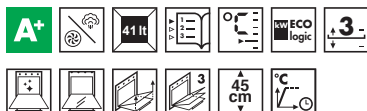


## SF4603VCNX1

COMBINATION STEAM OVEN, VAPOR CLEAN, COMPACT 45 CM, DOLCE STIL NOVO, BLACK, STAINLESS STEEL FINISHING



### PLUS:



### FUNCTIONS:

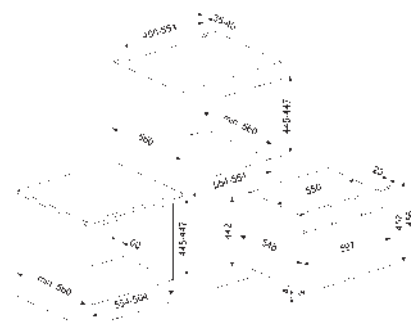


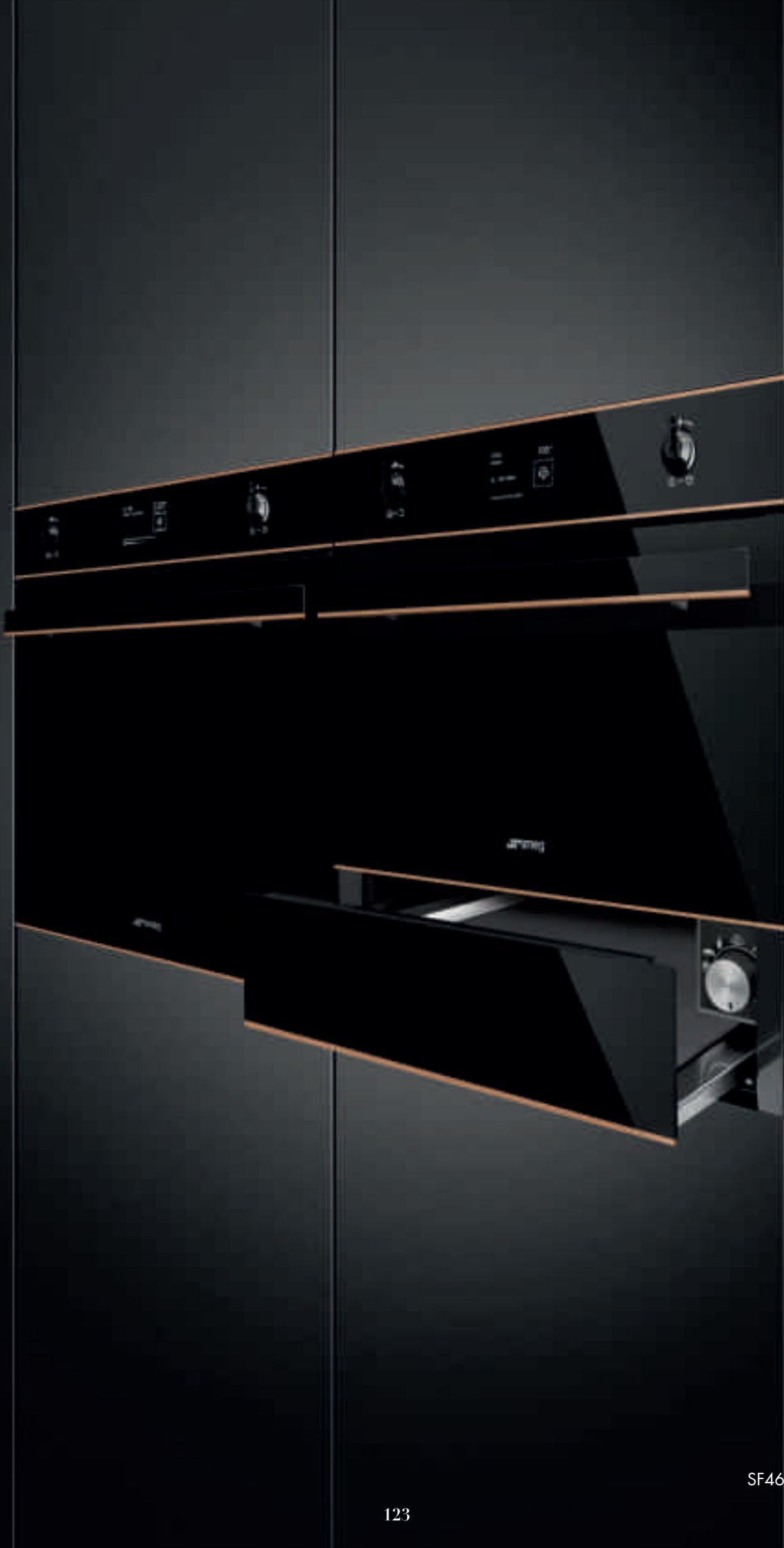
Gross capacity: 50 lt  
 Net volume of the cavity: 41 l  
 Other Steam functions: Tank cleaning, Water outlet, Water input  
 50 preset cooking programs  
 TFT graphic display  
 Delay start and automatic end cooking program  
 Minute minder  
 Acoustic alarm  
 Control knobs  
 Electronic thermostatic controls  
 Automatic switch-off when door is opened  
 Steam stop when door is opened  
 Temperatures: from 30°C to 250°C  
 Soft close door  
 ECLIPSE glass  
 Lighting when door is opened  
 1 halogen lamp (40 W)  
 Limited power consumption mode  
 Electrical connection rating (W): 3100 W  
 Energy consumption per cycle in conventional mode: 0.85 KWh  
 Energy consumption per cycle in fan-forced convection: 0.59 KWh

Frequency (Hz): 50/60 Hz  
 Current: 14 Amp  
 Voltage: 220-240 V

### ACCESSORIES INCLUDED:

Enamelled deep tray of 40 mm  
 Insert for tray  
 1 grid with back stop  
 1 st steel deep tray of 40 mm  
 1 st steel tray  
 Other: Sponge





## SF4603MCNR

ELECTRIC COMBINATION MICROWAVE OVEN,  
VAPOR CLEAN, COMPACT 45 CM, DOLCE STIL  
NOVO, BLACK, COPPER FINISHING

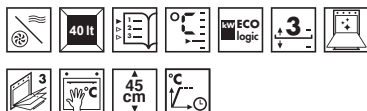


## SF4603MCNX

ELECTRIC COMBINATION MICROWAVE OVEN,  
VAPOR CLEAN, COMPACT 45 CM, DOLCE STIL  
NOVO, BLACK, STAINLESS STEEL FINISHING



### PLUS:



### FUNCTIONS:

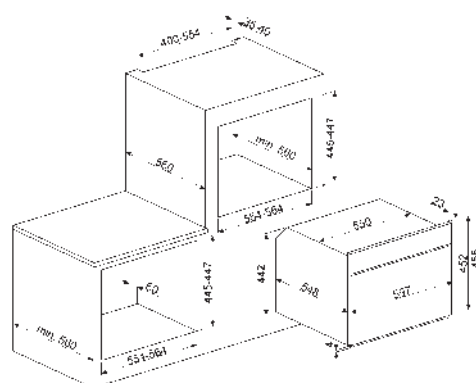


Gross capacity: 50 lt  
 Net volume of the cavity: 40 l  
 50 preset cooking programs  
 TFT graphic display  
 Delay start and automatic end cooking program  
 Minute minder  
 Acoustic alarm  
 Control knobs  
 Electronic thermostatic controls  
 Automatic switch-off when door is opened  
 Temperatures: from 30°C to 250°C  
 Soft close door  
 ECLIPSE glass  
 lighting when door is opened  
 2 halogen lamps (40 W)  
 Microwave screen protection  
 Microwave effective power: 1000 W  
 Limited power consumption mode  
 Electrical connection rating (W): 3100 W

Frequency (Hz): 50 Hz  
 Current: 14 Amp  
 Voltage: 220-240 V

### ACCESSORIES INCLUDED:

1 glass tray  
 Insert for tray  
 1 grid with back stop and side stop





## SF4104VCN

COMBINATION STEAM OVEN, VAPOR CLEAN, COMPACT 45 CM, LINEA, BLACK

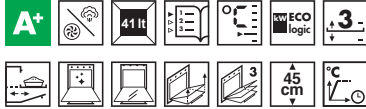


## SF4104VCS

COMBINATION STEAM OVEN, VAPOR CLEAN, COMPACT 45 CM, LINEA, SILVER GLASS



### PLUS:



### FUNCTIONS:

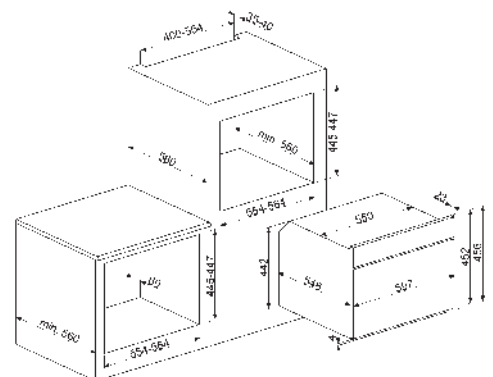


Gross capacity: 50 lt  
 Net volume of the cavity: 41 l  
 Other Steam functions: Tank cleaning, Water outlet, Water input  
 50 preset cooking programs  
 10 free personal cooking programs  
 TFT graphic display with colours touch screen  
 Delay start and automatic end cooking program  
 Minute minder  
 Acoustic alarm  
 Electronic thermostatic controls  
 Automatic switch-off when door is opened  
 Steam stop when door is opened  
 Temperatures: from 30°C to 250°C  
 Soft close door  
 lighting when door is opened  
 1 halogen lamp (40 W)  
 Limited power consumption mode  
 Electrical connection rating (W): 3100 W  
 Energy consumption per cycle in conventional mode: 0.85 KWh  
 Energy consumption per cycle in fan-forced convection: 0.59 KWh

Frequency (Hz): 50/60 Hz  
 Current: 14 Amp  
 Voltage: 220-240 V

### ACCESSORIES INCLUDED:

Enamelled deep tray of 40 mm  
 Insert for tray  
 1 grid with back stop and side stop  
 1 st steel deep tray of 40 mm  
 1 st steel tray  
 Pair partially extractable telescopic guides  
 Other: Sponge



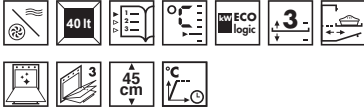


## SF4104MCN

ELECTRIC COMBINATION MICROWAVE OVEN, VAPOR CLEAN, COMPACT 45 CM, LINEA, BLACK



### PLUS:



### FUNCTIONS:



Gross capacity: 50 lt  
 Net volume of the cavity: 40 l  
 50 preset cooking programs  
 10 free personal cooking programs  
 TFT grafic display with colours touch screen  
 Delay start and automatic end cooking program  
 Minute minder  
 Acoustic alarm  
 Electronic thermostatic controls  
 Automatic switch-off when door is opened  
 Temperatures: from 30°C to 250°C  
 Soft close door  
 Lighting when door is opened  
 2 halogen lamps (40 W)  
 Microwave screen protection  
 Microwave effective power: 1000 W  
 Limited power consumption mode  
 Electrical connection rating (W): 3100 W

Frequency (Hz): 50 Hz  
 Current: 14 Amp  
 Voltage: 220-240 V

### ACCESSORIES INCLUDED:

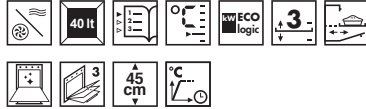
1 glass tray  
 Insert for tray  
 1 grid with back stop and side stop  
 Pair partially extractable telescopic guides

## SF4104MCS

ELECTRIC COMBINATION MICROWAVE OVEN, VAPOR CLEAN, COMPACT 45 CM, LINEA, SILVER GLASS



### PLUS:



### FUNCTIONS:

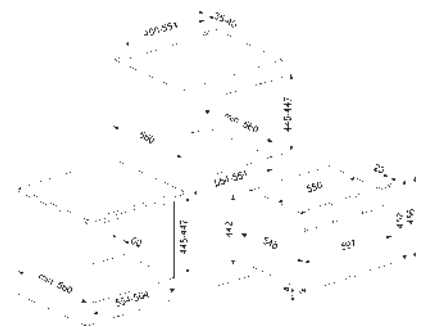


Gross capacity: 50 lt  
 Net volume of the cavity: 40 l  
 50 preset cooking programs  
 10 free personal cooking programs  
 TFT grafic display with colours touch screen  
 Delay start and automatic end cooking program  
 Minute minder  
 Acoustic alarm  
 Electronic thermostatic controls  
 Automatic switch-off when door is opened  
 Temperatures: from 30°C to 250°C  
 Soft close door  
 Stoptsol glass  
 Lighting when door is opened  
 2 halogen lamps (40 W)  
 Microwave screen protection  
 Microwave effective power: 1000 W  
 Limited power consumption mode  
 Electrical connection rating (W): 3100 W

Frequency (Hz): 50 Hz  
 Current: 14 Amp  
 Voltage: 220-240 V

### ACCESSORIES INCLUDED:

1 glass tray  
 Insert for tray  
 1 grid with back stop and side stop  
 Pair partially extractable telescopic guides







## SF4102VCN

COMBINATION STEAM OVEN, VAPOR CLEAN, COMPACT 45 CM, LINEA, BLACK

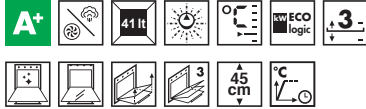


## SF4102VCS

COMBINATION STEAM OVEN, VAPOR CLEAN, COMPACT 45 CM, LINEA, SILVER GLASS



### PLUS:



### FUNCTIONS:

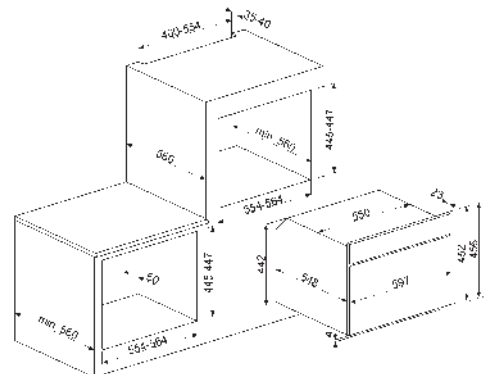


Gross capacity: 50 lt  
 Net volume of the cavity: 41 l  
 Other Steam functions: Tank cleaning, Water outlet, Water input  
 20 preset cooking programs  
 Large LCD display  
 Delay start and automatic end cooking program  
 Minute minder  
 Acoustic alarm  
 Ergonomic backlit controls  
 Electronic thermostatic controls  
 Automatic switch-off when door is opened  
 Steam stop when door is opened  
 Temperatures: from 30°C to 250°C  
 Soft close door  
 lighting when door is opened  
 1 halogen lamp (40 W)  
 Limited power consumption mode  
 Electrical connection rating (W): 3100 W  
 Energy consumption per cycle in conventional mode: 0.85 KWh  
 Energy consumption per cycle in fan-forced convection: 0.59 KWh

Frequency (Hz): 50/60 Hz  
 Current: 14 Amp  
 Voltage: 220-240 V

### ACCESSORIES INCLUDED:

Enamelled deep tray of 40 mm  
 Insert for tray  
 1 grid with back stop  
 1 st steel deep tray of 40 mm  
 1 st steel tray  
 Other: Sponge



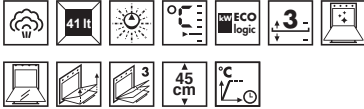


## SF4102VN

ELECTRIC STEAM OVEN, VAPOR CLEAN,  
COMPACT 45 CM, LINEA, BLACK



### PLUS:



### FUNCTIONS:



Gross capacity: 50 lt  
Net volume of the cavity: 41 l  
Other Steam functions: Tank cleaning, Water outlet, Water input  
20 preset cooking programs  
Large LCD display  
Delay start and automatic end cooking program  
Minute minder  
Acoustic alarm  
Ergonomic backlit controls  
Electronic thermostatic controls  
Automatic switch-off when door is opened  
Steam stop when door is opened  
Temperatures: from 30°C to 100°C  
Soft close door  
Lighting when door is opened  
1 halogen lamp (40 W)  
Limited power consumption mode  
Electrical connection rating (W): 2100 W

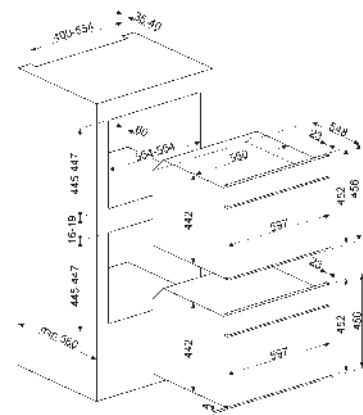
Frequency (Hz): 50/60 Hz  
Current: 10 Amp  
Voltage: 220-240 V

### ACCESSORIES INCLUDED:

1 grid with back stop  
1 st steel deep tray of 40 mm  
1 st steel tray  
Other: Sponge

## SF4102VS

ELECTRIC STEAM OVEN, VAPOR CLEAN,  
COMPACT 45 CM, LINEA, SILVER GLASS

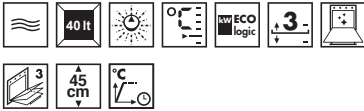


## SF4102MCN

ELECTRIC COMBINATION MICROWAVE OVEN, VAPOR CLEAN, COMPACT 45 CM, LINEA, BLACK



### PLUS:



### FUNCTIONS:



Gross capacity: 50 lt  
 Net volume of the cavity: 40 l  
 Door Standard opening  
 Large LCD display  
 Delay start and automatic end cooking program  
 Minute minder  
 Electronic timer  
 Standard tones  
 Acoustic alarm  
 Ergonomic backlit controls  
 Electronic thermostatic controls  
 Automatic switch-off when door is opened  
 Temperatures: from 50°C to 250°C  
 Soft close door  
 Lighting when door is opened  
 1 halogen lamp (40 W)  
 Crisp plate  
 Microwave screen protection  
 Microwave effective power: 1000 W  
 Limited power consumption mode  
 Electrical connection rating (W): 3300 W

Frequency (Hz): 50 Hz  
 Current: 15 Amp  
 Voltage: 220-240 V

### ACCESSORIES INCLUDED:

1 grid with back stop



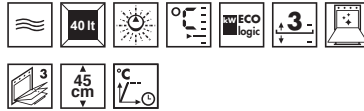
**SF4102MCS**  
Silver Glass

## SF4102MB

MICROWAVE WITH GRILL OVEN, COMPACT 45 CM, LINEA, WHITE



### PLUS:



### FUNCTIONS:



Gross capacity: 50 lt  
 Net volume of the cavity: 40 l  
 Large LCD display  
 Delay start and automatic end cooking program  
 Minute minder  
 Acoustic alarm  
 Ergonomic backlit controls  
 Electronic thermostatic controls  
 Automatic switch-off when door is opened  
 Temperatures: from 50°C to 250°C  
 Soft close door  
 Lighting when door is opened  
 1 halogen lamp (40 W)  
 Crisp plate  
 Microwave screen protection  
 Microwave effective power: 1000 W  
 Limited power consumption mode  
 Electrical connection rating (W): 3300 W

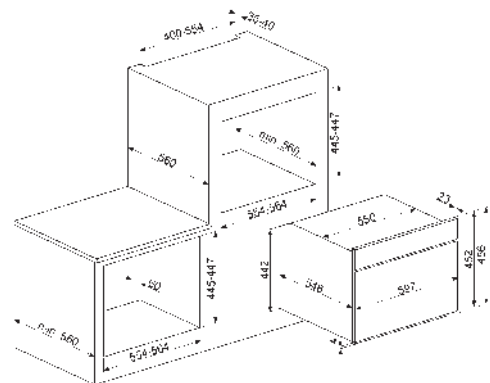
Frequency (Hz): 50 Hz  
 Current: 15 Amp  
 Voltage: 220-240 V

### ACCESSORIES INCLUDED:

1 grid with back stop



**SF4102MN**  
Black

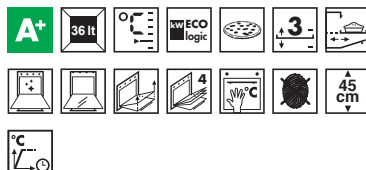


## SFP4390XPZ

ELECTRIC THERMOVENTILATED OVEN,  
PYROLITIC, COMPACT 45 CM, CLASSICA,  
ANTIFINGERPRINT STAINLESS STEEL



### PLUS:



### FUNCTIONS:

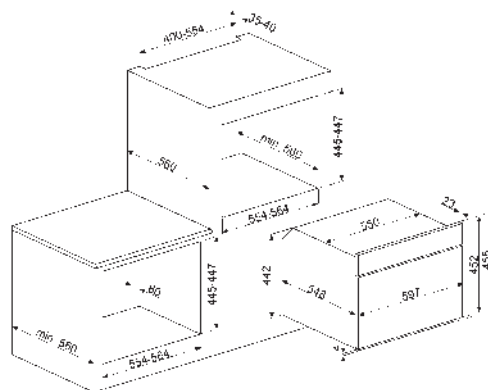


Gross capacity: 50 lt  
 20 preset cooking programs  
 Large LCD display  
 Delay start and automatic end cooking program  
 Minute minder  
 Acoustic alarm  
 Electronic thermostatic controls  
 Automatic switch-off when door is opened  
 Door lock during pyrolysis  
 Temperatures: from 30°C to 250°C  
 Soft close door  
 ECLIPSE glass  
 Lighting when door is opened  
 2 halogen lamps (40 W)  
 Limited power consumption mode  
 Electrical connection rating (W): 3100 W  
 Energy consumption per cycle in conventional mode: 0.85 KWh  
 Energy consumption per cycle in fan-forced convection: 0.57 KWh

Frequency (Hz): 50/60 Hz  
 Current: 14 Amp  
 Voltage: 220-240 V

### ACCESSORIES INCLUDED:

Enamelled deep tray of 40 mm  
 Insert for tray  
 1 grid with back stop  
 Refractory stone with shovel and cover  
 Pair partially extractable telescopic guides





## SF4395VCX1

COMBINATION STEAM OVEN, VAPOR CLEAN, COMPACT 45 CM, CLASSICA, ANTIFINGERPRINT STAINLESS STEEL



### PLUS:



### FUNCTIONS:



Gross capacity: 50 lt  
 Net volume of the cavity: 41 l  
 Other Steam functions: Tank cleaning, Water outlet, Water input  
 20 preset cooking programs  
 TFT grafic display  
 Delay start and automatic end cooking program  
 Minute minder  
 Acoustic alarm  
 Electronic thermostatic controls  
 Automatic switch-off when door is opened  
 Steam stop when door is opened  
 Temperatures: from 30°C to 250°C  
 Soft close door  
 ECLIPSE glass  
 lighting when door is opened  
 1 halogen lamp (40 W)  
 Limited power consumption mode  
 Electrical connection rating (W): 3100 W  
 Energy consumption per cycle in conventional mode: 0.85 KWh  
 Energy consumption per cycle in fan-forced convection: 0.59 KWh

Frequency (Hz): 50/60 Hz  
 Current: 14 Amp  
 Voltage: 220-240 V

### ACCESSORIES INCLUDED:

Enamelled deep tray of 40 mm  
 Insert for tray  
 1 grid with back stop  
 1 st steel deep tray of 40 mm  
 1 st steel tray  
 Pair partially extractable telescopic guides  
 Other: Sponge

## SF4395MCX

ELECTRIC COMBINATION MICROWAVE OVEN, VAPOR CLEAN, COMPACT 45 CM, CLASSICA, ANTIFINGERPRINT STAINLESS STEEL



### PLUS:



### FUNCTIONS:

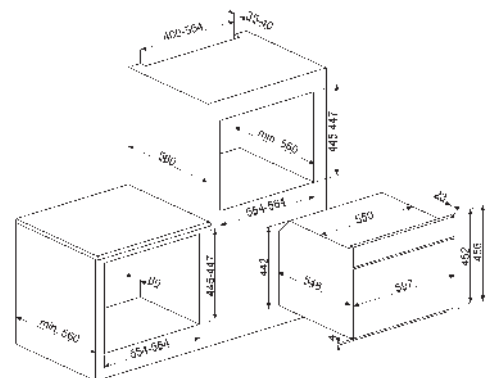


Gross capacity: 50 lt  
 Net volume of the cavity: 40 l  
 50 preset cooking programs  
 TFT grafic display  
 Delay start and automatic end cooking program  
 Minute minder  
 Acoustic alarm  
 Electronic thermostatic controls  
 Automatic switch-off when door is opened  
 Temperatures: from 30°C to 250°C  
 Soft close door  
 ECLIPSE glass  
 lighting when door is opened  
 2 halogen lamps (40 W)  
 Microwave screen protection  
 Microwave effective power: 1000 W  
 Limited power consumption mode  
 Electrical connection rating (W): 3100 W

Frequency (Hz): 50 Hz  
 Current: 14 Amp  
 Voltage: 220-240 V

### ACCESSORIES INCLUDED:

1 glass tray  
 Insert for tray  
 1 grid with back stop  
 Pair partially extractable telescopic guides





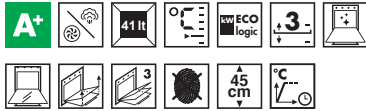


## SF4390VCX1

COMBINATION STEAM OVEN, VAPOR CLEAN, COMPACT 45 CM, CLASSICA, ANTIFINGERPRINT STAINLESS STEEL



### PLUS:



### FUNCTIONS:



Gross capacity: 50 lt  
 Net volume of the cavity: 41 l  
 Other Steam functions: Tank cleaning, Water outlet, Water input  
 20 preset cooking programs  
 Large LCD display  
 Delay start and automatic end cooking program  
 Minute minder  
 Acoustic alarm  
 Electronic thermostatic controls  
 Automatic switch-off when door is opened  
 Steam stop when door is opened  
 Temperatures: from 30°C to 250°C  
 Soft close door  
 ECLIPSE glass  
 lighting when door is opened  
 1 halogen lamp (40 W)  
 Limited power consumption mode  
 Electrical connection rating (W): 3100 W  
 Energy consumption per cycle in conventional mode: 0.85 KWh  
 Energy consumption per cycle in fan-forced convection: 0.59 KWh

Frequency (Hz): 50/60 Hz  
 Current: 14 Amp  
 Voltage: 220-240 V

### ACCESSORIES INCLUDED:

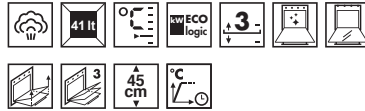
Enamelled deep tray of 40 mm  
 Insert for tray  
 1 grid with back stop  
 1 st steel deep tray of 40 mm  
 1 st steel tray  
 Other: Sponge

## SF4390VX1

ELECTRIC STEAM OVEN, VAPOR CLEAN, COMPACT 45 CM, CLASSICA, STAINLESS STEEL



### PLUS:



### FUNCTIONS:

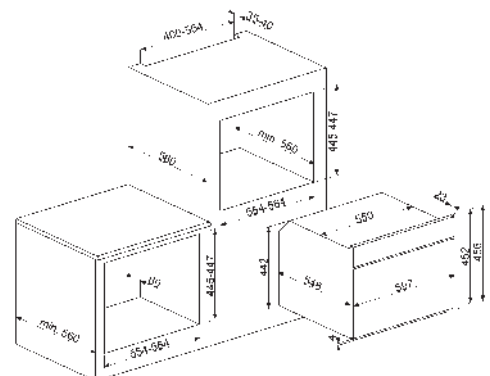


Gross capacity: 50 lt  
 Net volume of the cavity: 41 l  
 Other Steam functions: Tank cleaning, Water outlet, Water input  
 20 preset cooking programs  
 Large LCD display  
 Delay start and automatic end cooking program  
 Minute minder  
 Acoustic alarm  
 Electronic thermostatic controls  
 Automatic switch-off when door is opened  
 Steam stop when door is opened  
 Temperatures: from 50°C to 100°C  
 Soft close door  
 ECLIPSE glass  
 Lighting when door is opened  
 1 halogen lamp (40 W)  
 Limited power consumption mode  
 Electrical connection rating (W): 2100 W

Frequency (Hz): 50/60 Hz  
 Current: 10 Amp  
 Voltage: 220-240 V

### ACCESSORIES INCLUDED:

1 st steel deep tray of 40 mm  
 1 st steel tray  
 Other: Sponge

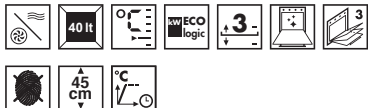


## SF4390MCX

ELECTRIC COMBINATION MICROWAVE OVEN, VAPOR CLEAN, COMPACT 45 CM, CLASSICA, ANTIFINGERPRINT STAINLESS STEEL



### PLUS:



### FUNCTIONS:



Gross capacity: 50 lt  
 Net volume of the cavity: 40 l  
 20 preset cooking programs  
 Large LCD display  
 Delay start and automatic end cooking program  
 Minute minder  
 Acoustic alarm  
 Electronic thermostatic controls  
 Automatic switch-off when door is opened  
 Temperatures: from 30°C to 250°C  
 Soft close door  
 ECLIPSE glass  
 Lighting when door is opened  
 2 halogen lamps (40 W)  
 Microwave screen protection  
 Microwave effective power: 1000 W  
 Limited power consumption mode  
 Electrical connection rating (W): 3100 W

Frequency (Hz): 50 Hz  
 Current: 14 Amp  
 Voltage: 220-240 V

### ACCESSORIES INCLUDED:

1 glass tray  
 Insert for tray  
 1 grid with back stop

### ALSO AVAILABLE:

SF4390MCXK

Frequency (Hz): 60 Hz  
 Voltage: 220-240 V

## SF4390MX

MICROWAVE WITH GRILL OVEN, COMPACT 45 CM, CLASSICA, ANTIFINGERPRINT STAINLESS STEEL



### PLUS:



### FUNCTIONS:

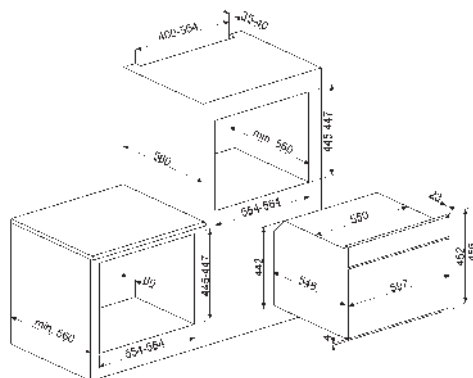


Gross capacity: 50 lt  
 Net volume of the cavity: 40 l  
 Large LCD display  
 Delay start and automatic end cooking program  
 Minute minder  
 Acoustic alarm  
 Electronic thermostatic controls  
 Automatic switch-off when door is opened  
 Temperatures: from 50°C to 250°C  
 Soft close door  
 ECLIPSE glass  
 Lighting when door is opened  
 1 halogen lamp (40 W)  
 Crisp plate  
 Microwave screen protection  
 Microwave effective power: 1000 W  
 Limited power consumption mode  
 Electrical connection rating (W): 3300 W

Frequency (Hz): 50 Hz  
 Current: 15 Amp  
 Voltage: 220-240 V

### ACCESSORIES INCLUDED:

1 grid with back stop



## SF4309MX

MICROWAVE WITH GRILL OVEN, COMPACT  
45 CM, CLASSICA, ANTIFINGERPRINT  
STAINLESS STEEL



### PLUS:



### FUNCTIONS:



Gross capacity: 50 lt  
 Net volume of the cavity: 40 l  
 Compact LCD display  
 Delay start and automatic end cooking program  
 Minute minder  
 Acoustic alarm  
 Electronic thermostatic controls  
 Automatic switch-off when door is opened  
 Temperatures: from 50°C to 250°C  
 ECLIPSE glass  
 Lighting when door is opened  
 1 halogen lamp (40 W)  
 Microwave screen protection  
 Microwave effective power: 1000 W  
 Limited power consumption mode  
 Electrical connection rating (W): 3300 W

Frequency (Hz): 50 Hz  
 Current: 15 Amp  
 Voltage: 220-240 V

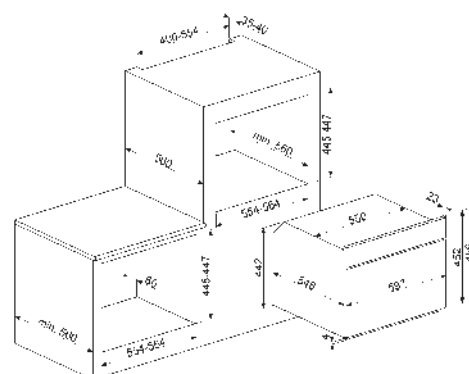
### ACCESSORIES INCLUDED:

1 grid with back stop

### ALSO AVAILABLE:

SF4309MXK

Frequency (Hz): 60 Hz  
 Voltage: 220-240 V





SF4309MX

## SF4920VCB1

COMBINATION STEAM OVEN, VAPOR CLEAN, COMPACT 45 CM, VICTORIA, WHITE



## SF4920VCN1

COMBINATION STEAM OVEN, VAPOR CLEAN, COMPACT 45 CM, VICTORIA, BLACK

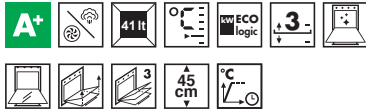


## SF4920VCP1

COMBINATION STEAM OVEN, VAPOR CLEAN, COMPACT 45 CM, VICTORIA, CREAM



### PLUS:



### FUNCTIONS:



Gross capacity: 50 lt  
 Net volume of the cavity: 41 l  
 Other Steam functions: Tank cleaning, Water outlet, Water input  
 20 preset cooking programs  
 Large LCD display  
 Delay start and automatic end cooking program  
 Minute minder  
 Acoustic alarm  
 Electronic thermostatic controls  
 Automatic switch-off when door is opened  
 Steam stop when door is opened  
 Temperatures: from 30°C to 250°C  
 Soft close door  
 Lighting when door is opened  
 1 halogen lamp (40 W)  
 Limited power consumption mode  
 Electrical connection rating (W): 3100 W  
 Energy consumption per cycle in conventional mode: 0.85 KWh  
 Energy consumption per cycle in fan-forced convection: 0.59 KWh

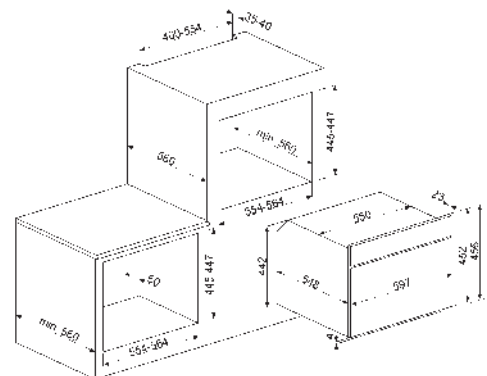
Frequency (Hz): 50/60 Hz  
 Current: 14 Amp  
 Voltage: 220-240 V

### ACCESSORIES INCLUDED:

Enamelled deep tray of 40 mm  
 Insert for tray  
 1 grid with back stop  
 1 st steel deep tray of 40 mm  
 1 st steel tray  
 Other: Sponge

## SF4920VCX1

COMBINATION STEAM OVEN, VAPOR CLEAN, COMPACT 45 CM, VICTORIA, ANTIFINGERPRINT STAINLESS STEEL



## SF4920MCB1

ELECTRIC COMBINATION MICROWAVE OVEN, VAPOR CLEAN, COMPACT 45 CM, VICTORIA, WHITE



## SF4920MCN1

ELECTRIC COMBINATION MICROWAVE OVEN, VAPOR CLEAN, COMPACT 45 CM, VICTORIA, BLACK



## SF4920MCP1

ELECTRIC COMBINATION MICROWAVE OVEN, VAPOR CLEAN, COMPACT 45 CM, VICTORIA, CREAM



### PLUS:



### FUNCTIONS:



Gross capacity: 50 lt  
 Net volume of the cavity: 40 l  
 20 preset cooking programs  
 Large LCD display  
 Delay start and automatic end cooking program  
 Minute minder  
 Acoustic alarm  
 Electronic thermostatic controls  
 Automatic switch-off when door is opened  
 Temperatures: from 30°C to 250°C  
 Soft close door  
 Lighting when door is opened  
 2 halogen lamps (40 W)  
 Microwave screen protection  
 Microwave effective power: 1000 W  
 Limited power consumption mode  
 Electrical connection rating (W): 3100 W

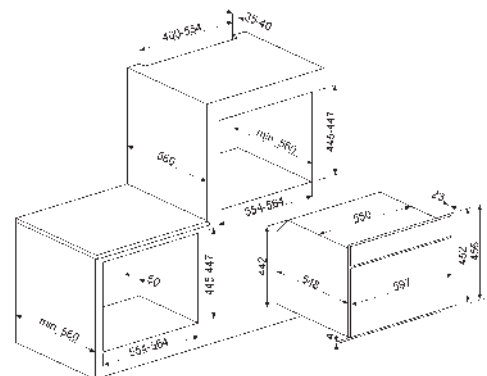
Frequency (Hz): 50 Hz  
 Current: 14 Amp  
 Voltage: 220-240 V

### ACCESSORIES INCLUDED:

- 1 glass tray
- Insert for tray
- 1 grid with back stop

## SF4920MCX1

ELECTRIC COMBINATION MICROWAVE OVEN, VAPOR CLEAN, COMPACT 45 CM, VICTORIA, ANTIFINGERPRINT STAINLESS STEEL



## SF4750MAO

MICROWAVE WITH GRILL OVEN, COMPACT 45 CM, CORTINA, ANTHRACITE, OLD BRASS FINISHING



## SF4750MBS

MICROWAVE WITH GRILL OVEN, COMPACT 45 CM, CORTINA, WHITE, OLD SILVER FINISHING



## SF4750MPO

MICROWAVE WITH GRILL OVEN, COMPACT 45 CM, CORTINA, CREAM, OLD BRASS FINISHING



### PLUS:



### FUNCTIONS:

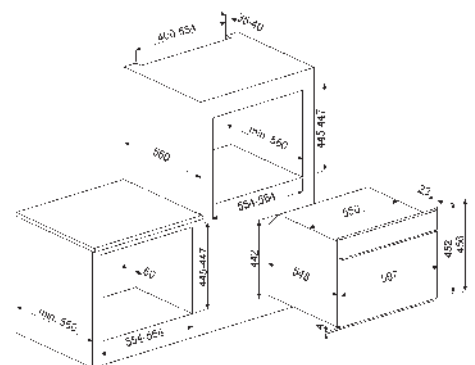


Gross capacity: 50 lt  
Net volume of the cavity: 40 l  
Delay start and automatic end cooking program  
Minute minder  
Acoustic alarm  
Electronic thermostatic controls  
Automatic switch-off when door is opened  
Temperatures: from 50°C to 250°C  
Soft close door  
Lighting when door is opened  
1 halogen lamp (40 W)  
Crisp plate  
Microwave screen protection  
Microwave effective power: 1000 W  
Limited power consumption mode  
Electrical connection rating (W): 3300 W

Frequency (Hz): 50 Hz  
Current: 15 Amp  
Voltage: 220-240 V

### ACCESSORIES INCLUDED:

1 grid with back stop





## SF4800MAO

MICROWAVE WITH GRILL OVEN, COMPACT  
45 CM, COLONIALE, ANTHRACITE, OLD  
BRASS FINISHING



## SF4800MPO

MICROWAVE WITH GRILL OVEN, COMPACT  
45 CM, COLONIALE, CREAM, OLD BRASS  
FINISHING



### PLUS:



### FUNCTIONS:

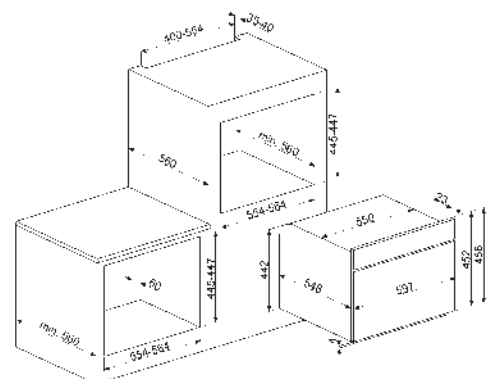


Gross capacity: 50 lt  
Net volume of the cavity: 40 l  
Delay start and automatic end cooking  
program  
Minute minder  
Acoustic alarm  
Electronic thermostatic controls  
Automatic switch-off when door is opened  
Temperatures: from 50°C to 250°C  
Soft close door  
Lighting when door is opened  
1 halogen lamp (40 W)  
Crisp plate  
Microwave screen protection  
Microwave effective power: 1000 W  
Limited power consumption mode  
Electrical connection rating (W): 3300 W

Frequency (Hz): 50 Hz  
Current: 15 Amp  
Voltage: 220-240 V

### ACCESSORIES INCLUDED:

1 grid with back stop



## MP122B1

MICROWAVE OVEN, LINEA, WHITE



## MP122N1

MICROWAVE OVEN, LINEA, BLACK



## MP122S1

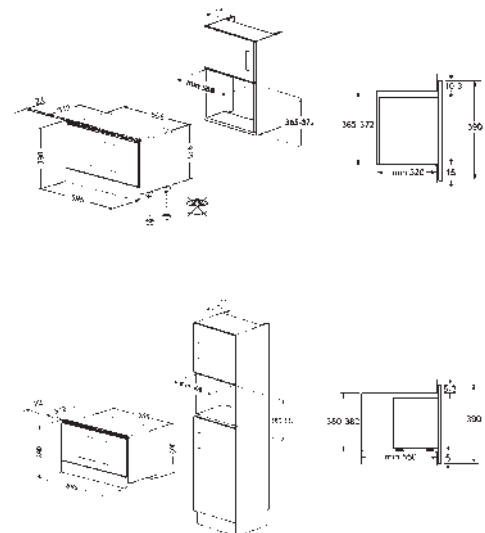
MICROWAVE OVEN, LINEA, SILVER GLASS



### PLUS:



White  
 Brushed St Steel  
 2 LED Display  
 Microwave with grill  
 End of cooking acoustic alarm  
 Showroom Demo Option  
 Gross capacity: 23 l  
 Stainless steel cavity  
 Tilting Grill  
 Stopsol glass  
 Full glass door  
 Electronic programmer with delay start and automatic cut off for end of cooking time  
 Surfaceplus Ceramic Base  
 Microwave Output Power: 850 W  
 Grill: 1.2 Kw  
 1 incandescent light of 20 W  
 Door protection screen  
 Microwave stop when door is opened  
 Lighting when door is opened  
 1 Grid  
 Security Thermostat  
 Controls knobs  
 Frequency (Hz): 50  
 Voltage (V): 220-240





## FMI325X

MICROWAVE OVEN, CLASSICA,  
ANTIFINGERPRINT STAINLESS STEEL



### PLUS:



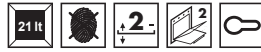
Brushed St Steel  
1 LED Display  
Microwave with grill  
8 Automatic Programmes  
End of cooking acoustic alarm  
Gross capacity: 26 l  
Stainless steel cavity  
Full glass door  
Electronic programmer with automatic switch  
off at the end of cooking time  
Quick start option  
Microwave Output Power: 900 W  
Quartz Grill: 1 Kw  
Door protection screen  
Microwave stop when door is opened  
Lighting when door is opened  
Turntable Ø 31,5 cm  
1 Grid  
Frame Kit  
Security Thermostat  
Touch controls  
Frequency (Hz): 50 Hz  
Voltage (V): 230 V

## FMI320X

MICROWAVE OVEN, CLASSICA,  
ANTIFINGERPRINT STAINLESS STEEL



### PLUS:



Brushed St Steel  
Microwave with grill  
3 Automatic Program  
End of cooking acoustic alarm  
Showroom Demo Option  
Gross capacity: 21 l  
Stainless steel cavity  
Other Microwave functions: Memory  
Full glass door  
Electronic programmer with automatic switch  
off at the end of cooking time  
Quick start option  
Microwave Output Power: 800 W  
Quartz Grill: 1 Kw  
1 incandescent light of 25 W  
Door protection screen  
Microwave stop when door is opened  
Lighting when door is opened  
Turntable Ø 25 cm  
1 Grid  
Rack  
Frame Kit  
Limited Power Consumption Mode  
Touch controls  
Frequency (Hz): 50 Hz  
Voltage (V): 230 V

## MP6322X

MICROWAVE OVEN, CLASSICA,  
ANTIFINGERPRINT STAINLESS STEEL



### PLUS:

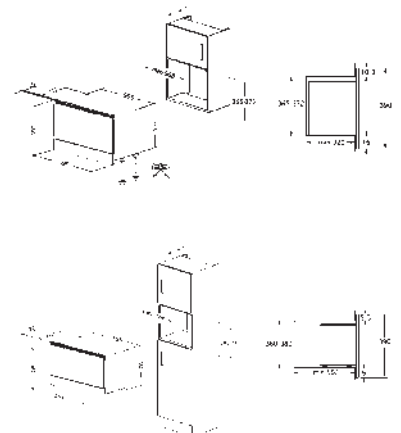
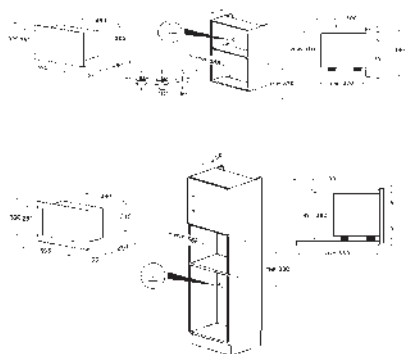
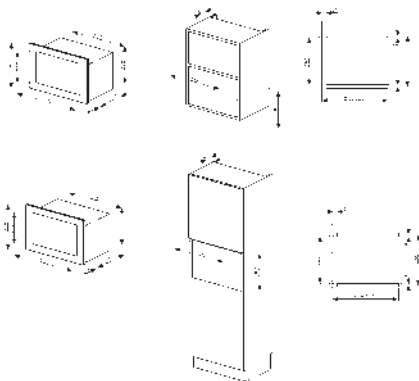


Brushed St Steel  
2 LED Display  
Microwave with grill  
End of cooking acoustic alarm  
Showroom Demo Option  
Gross capacity: 23 l  
Stainless steel cavity  
Tilting Grill  
Door with 2 horizontal fascia  
Electronic programmer with delay start and  
automatic cut off for end of cooking time  
Surfaceplus Ceramic Base  
Microwave Output Power: 850 W  
Grill: 1.2 Kw  
1 incandescent light of 20 W  
Door protection screen  
Microwave stop when door is opened  
Lighting when door is opened  
1 Grid  
Security Thermostat  
Controls knobs  
Frequency (Hz): 50 Hz  
Voltage (V): 220-240 V

### ALSO AVAILABLE:

#### MP6322XK

Frequency (Hz): 60 Hz  
Voltage (V): 220 V





## FMI120B1

MICROWAVE OVEN, LINEA, WHITE



## FMI120N1

MICROWAVE OVEN, LINEA, BLACK



## FMI120S1

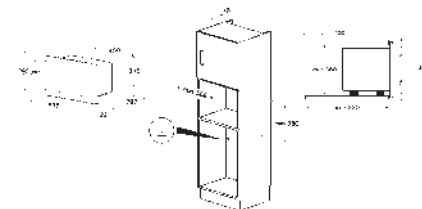
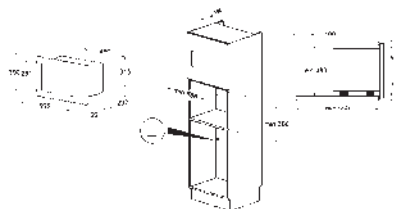
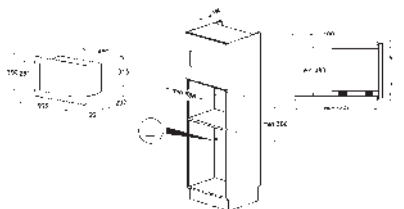
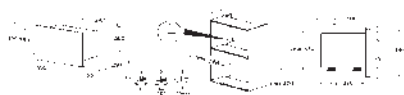
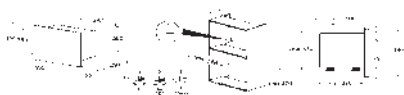
MICROWAVE OVEN, LINEA, SILVER GLASS



### PLUS:



White  
Microwave with grill  
3 Automatic Program  
End of cooking acoustic alarm  
Showroom Demo Option  
Gross capacity: 21 l  
Stainless steel cavity  
Other Microwave functions: Memory  
Stopsol glass  
Full glass door  
Electronic programmer with automatic switch  
off at the end of cooking time  
Quick start option  
Microwave Output Power: 800 W  
Quartz Grill: 1 Kw  
1 incandescent light of 25 W  
Door protection screen  
Microwave stop when door is opened  
Lighting when door is opened  
Turntable Ø 25 cm  
1 Grid  
Rack  
Frame Kit  
Limited Power Consumption Mode  
Touch controls  
Frequency (Hz): 50 Hz  
Voltage (V): 230 V



## FMIO17X

MICROWAVE OVEN, ANTIFINGERPRINT  
STAINLESS STEEL



### PLUS:



Brushed St Steel  
1 LED Display  
Microwave with grill  
8 Automatic Programmes  
End of cooking acoustic alarm  
Gross capacity: 19 l  
Stainless steel cavity  
Stainless steel effect buttons  
1 St Steel Knob  
Electronic programmer with automatic switch  
off at the end of cooking time  
Quick start option  
Microwave Output Power: 800 W  
Quartz Grill: 1 Kw  
Door protection screen  
Microwave stop when door is opened  
Lighting when door is opened  
Turntable Ø 24,5 cm  
1 Grid  
Frame Kit  
Security Thermostat  
Controls/ Push Button  
Frequency (Hz): 50 Hz  
Voltage (V): 230 V

## FMIO20X

MICROWAVE OVEN, ANTIFINGERPRINT  
STAINLESS STEEL



### PLUS:



Brushed St Steel  
1 LED Display  
Microwave with grill  
8 Automatic Programmes  
End of cooking acoustic alarm  
Gross capacity: 21 l  
Stainless steel cavity  
Stainless steel effect buttons  
1 St Steel Knob  
Electronic programmer with automatic switch  
off at the end of cooking time  
Quick start option  
Microwave Output Power: 800 W  
Grill: 1 Kw  
Door protection screen  
Microwave stop when door is opened  
Lighting when door is opened  
Turntable Ø 24,5 cm  
St Steel Effect Handle  
1 Grid  
Frame Kit  
Security Thermostat  
Controls/ Push Button  
Frequency (Hz): 50 Hz  
Voltage (V): 230 V

## FMIO25X

MICROWAVE OVEN, ANTIFINGERPRINT  
STAINLESS STEEL

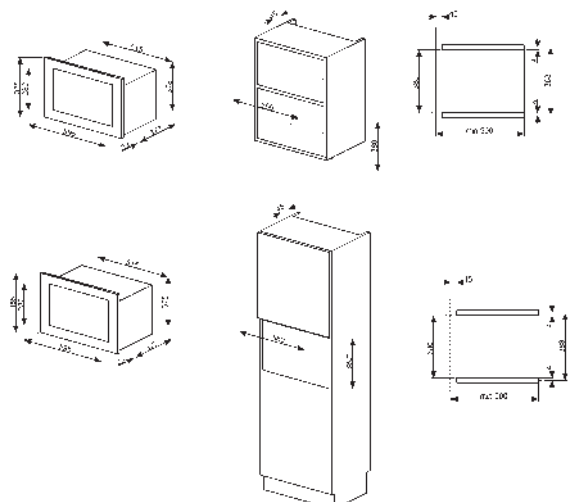


### PLUS:



Brushed St Steel  
1 LED Display  
Microwave with grill  
8 Automatic Programmes  
End of cooking acoustic alarm  
Gross capacity: 26 l  
Stainless steel cavity  
Stopsol glass  
Full glass door  
Stainless steel effect buttons  
1 St Steel Knob  
Electronic programmer with automatic switch  
off at the end of cooking time  
Quick start option  
Microwave Output Power: 900 W  
Quartz Grill: 1 Kw  
Door protection screen  
Microwave stop when door is opened  
Lighting when door is opened  
Turntable Ø 31,5 cm  
1 Grid  
Rack  
Security Thermostat  
Controls/ Push Button  
Frequency (Hz): 50 Hz  
Voltage (V): 230 V

COMPACT  
APPLIANCES



## MP822PO

MICROWAVE OVEN, COLONIALE, CREAM, OLD BRASS FINITURE



### PLUS:



2 LED Display  
 Microwave with grill  
 End of cooking acoustic alarm  
 Showroom Demo Option  
 Gross capacity: 23 l  
 Stainless steel cavity  
 Tilting Grill  
 2 Cream Knobs  
 Electronic programmer with delay start and automatic cut off for end of cooking time  
 Surfaceplus Ceramic Base  
 Microwave Output Power: 850 W  
 Grill: 1.2 Kw  
 1 incandescent light of 20 W  
 Door protection screen  
 Microwave stop when door is opened  
 lighting when door is opened  
 1 Grid  
 Other: Gold colonial knobs kit  
 Security Thermostat  
 Controls knobs  
 Frequency (Hz): 50 Hz  
 Voltage (V): 220-240 V

## MOE34CXI

MICROWAVE OVEN, ANTIFINGERPRINT STAINLESS STEEL



### PLUS:



Brushed St Steel  
 1 LED Display  
 Mixed Microwave  
 10 Automatic Programmes  
 End of cooking acoustic alarm  
 Stainless steel cavity  
 Tilting Grill  
 Electronic programmer with delay start and automatic cut off for end of cooking time  
 Microwave Output Power: 1000 W  
 Circulaire Heating Element - Power 1300 W  
 Grill: 1 Kw  
 Door protection screen  
 Microwave stop when door is opened  
 Lighting when door is opened  
 Turntable Ø 31,5 cm  
 Stop Turntable Option  
 1 Dish for steam cooking  
 1 Grid  
 Pizza dish  
 Security Thermostat  
 Controls/ Push Button  
 Frequency (Hz): 50 Hz  
 Voltage (V): 240 V

## MOE25X

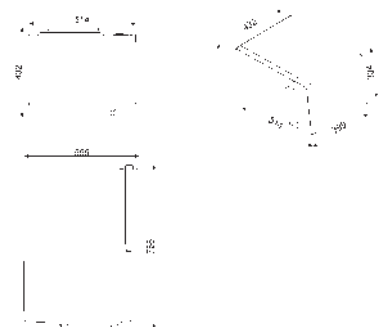
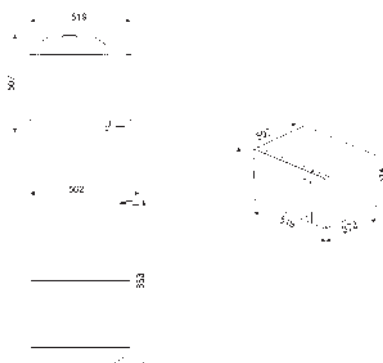
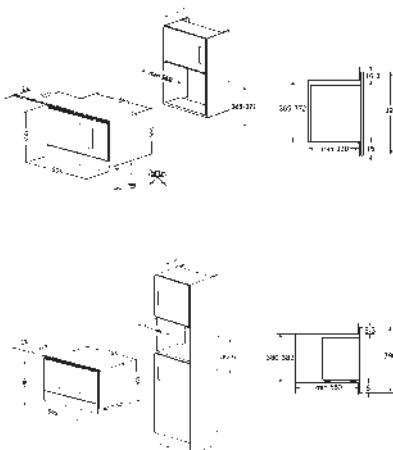
MICROWAVE OVEN, ANTIFINGERPRINT STAINLESS STEEL



### PLUS:



Brushed St Steel  
 1 LED Display  
 Microwave with grill  
 10 Automatic Programmes  
 End of cooking acoustic alarm  
 Gross capacity: 26 l  
 Electronic programmer with delay start and automatic cut off for end of cooking time  
 Microwave Output Power: 900 W  
 Grill: 1 Kw  
 Door protection screen  
 Microwave stop when door is opened  
 lighting when door is opened  
 Turntable Ø 31,5 cm  
 Stop Turntable Option  
 1 Grid  
 Pizza dish  
 Security Thermostat  
 Controls/ Push Button  
 Frequency (Hz): 50 Hz  
 Voltage (V): 240 V







## CMS4601NR

BUILT-IN COFFEE MACHINE, DOLCE STIL  
NOVO, BLACK, COPPER FINISHING



### ECLIPSE glass

Display white LCD on black background

**Automatic Cappuccino maker with separate tank for milk**

Double coffee function

Single coffee function

3 levels variable coffee length

3 variable coffee temperature levels

Hot water function

Ground coffee option

**Steam dispenser for cappuccino**

Programmed automatic switch-on

Automatic programmes 30

Removable milk jug

Adjustable cappuccino foam

Automatic rinsing

Alert water miss

Coffee granule container capacity: 220 g

Coffee granules compartment

Ground coffee compartment

Removable water container

Used coffee waste container

Drip tray

2 Lights

Automatic descaling

Water hardness

Current: 5.6 Amp

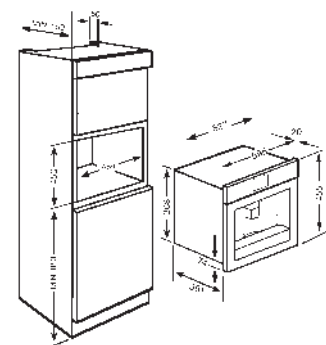
Frequency (Hz): 50-60 Hz

Nominal power: 1350 W

Voltage (V): 220-240 V

## CMS4601NX

BUILT-IN COFFEE MACHINE, DOLCE STIL  
NOVO, BLACK





## CMS4101B

BUILT-IN COFFEE MACHINE, LINEA, WHITE



Display white LCD on black background  
**Automatic Cappuccino maker with separate tank for milk**

Double coffee function  
Single coffee function  
3 levels variable coffee length  
3 variable coffee temperature levels  
Hot water function  
Ground coffee option

**Steam dispenser for cappuccino**

Programmed automatic switch-on  
Automatic programmes 30  
Removable milk jug  
Adjustable cappuccino foam  
Automatic rinsing  
Alert water miss  
Coffee granule container capacity: 220 g  
Coffee granules compartment  
Ground coffee compartment  
Removable water container  
Used coffee waste container  
Drip tray  
2 Lights  
Automatic descaling  
Water hardness  
Current: 5.6 Amp  
Frequency (Hz): 50-60 Hz  
Nominal power: 1350 W  
Voltage (V): 220-240 V

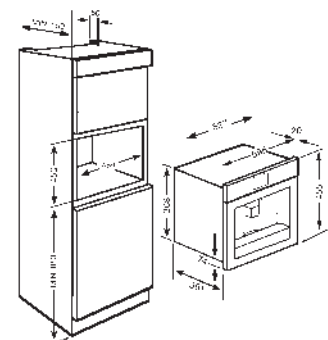
## CMS4101N

BUILT-IN COFFEE MACHINE, LINEA, BLACK



## CMS4101S

BUILT-IN COFFEE MACHINE, LINEA, STEEL AND SILVER GLASS





### CMS6451X

BUILT-IN COFFEE MACHINE, FINGER FRIENDLY STAINLESS STEEL



#### ECLIPSE glass

Display white LCD on black background

#### Automatic Cappuccino maker with separate tank for milk

- Double coffee function
- Single coffee function
- 3 levels variable coffee length
- 3 variable coffee temperature levels
- Hot water function
- Ground coffee option

#### Steam dispenser for cappuccino

- Programmed automatic switch-on
- Automatic programmes 30
- Removable milk jug
- Adjustable cappuccino foam
- Automatic rinsing
- Alert water miss
- Coffee granule container capacity: 220 g
- Coffee granules compartment
- Ground coffee compartment
- Removable water container
- Used coffee waste container
- Drip tray
- 2 Lights
- Automatic descaling
- Water hardness
- Current: 5.6 Amp
- Frequency (Hz): 50-60 Hz
- Nominal power: 1350 W
- Voltage (V): 220-240 V

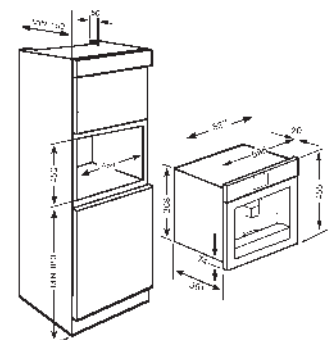
### CMS8451A

BUILT-IN COFFEE MACHINE, ANTHRACITE



### CMS8451P

BUILT-IN COFFEE MACHINE, CREAM





### CPR615NX

WARMING DRAWER, REHEAT , STAINLESS  
STEEL FINISHING, DOLCE STIL NOVO



Glass type: Eclipse, with horizontal strip  
**Opening mechanism: Push-pull**  
**Capacity: 21 litres**  
 Minimum temperature: 30°  
**Maximum temperature; 80°**  
 Defrost  
 Keep warm  
 Dish warmer  
 Max weight allowance: 15 kg  
 Commercial height: 15 cm  
 Current: 2 A  
 Frequency (Hz): 50-60  
 Nominal power: 400 W  
 Voltage (V): 220-240 V  
 Accessories included: Silicon antislip mat

### CP615NR

WARMING DRAWER, COPPER FINISHING,  
DOLCE STIL NOVO



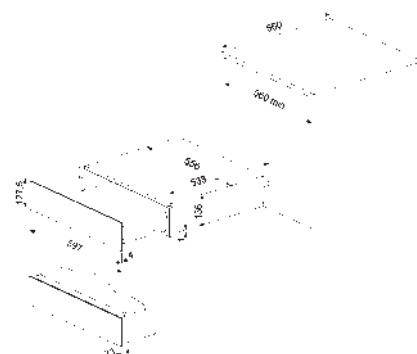
Glass type: Eclipse, with horizontal strip  
**Opening mechanism: Push-pull**  
**Capacity: 22 litres**  
 Max weight allowance: 15 kg  
 Commercial height: 15 cm  
 Accessories included: Silicon antislip mat



**CPR615NR**  
Copper finishing



**CP615NX**  
Stainless steel finishing





## CR129S

WARMING DRAWER, REHEAT , LINEA , SILVER GLASS



## CR329X

WARMING DRAWER, REHEAT , CLASSIC , FINGER FRIENDLY STAINLESS STEEL



Opening mechanism: With handle

Capacity: 51 litres

Minimum temperature: 30°

Maximum temperature; 80°

Defrost

Keep warm

Dish warmer

Max weight allowance: 1.5 kg

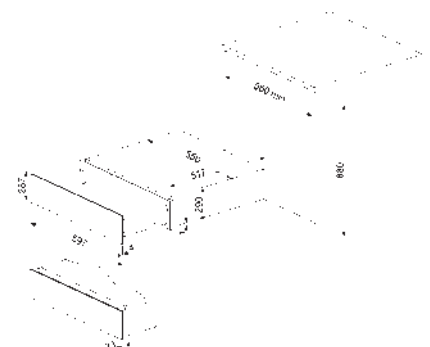
Current: 2 Amp

Frequency (Hz): 50-60 Hz

Nominal power: 400 W

Voltage (V): 220-240 V

Accessories included: Silicon antislip mat



## CPR115B

WARMING DRAWER, REHEAT , LINEA ,  
WHITE



## CPR115N

WARMING DRAWER, REHEAT , LINEA,  
BLACK



## CPR115S

WARMING DRAWER, REHEAT , LINEA ,  
SILVER GLASS



Opening mechanism: Push-pull

Capacity: 21 litres

Minimum temperature: 30°

Maximum temperature; 80°

Defrost

Keep warm

Dish warmer

Max weight allowance: 1.5 kg

Commercial height: 15 cm

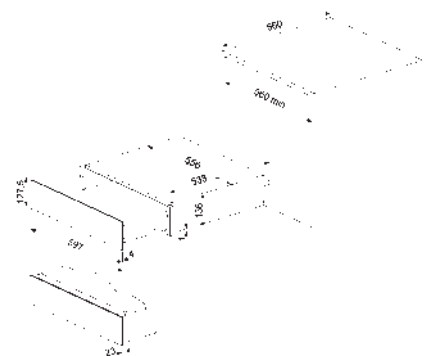
Current: 2 Amp

Frequency (Hz): 50-60 Hz

Nominal power: 400 W

Voltage (V): 220-240 V

Accessories included: Silicon antislip mat



## CPR315X

WARMING DRAWER, REHEAT , CLASSIC ,  
FINGER FRIENDLY STAINLESS STEEL



Control knobs  
**Opening mechanism:** Push-pull  
**Capacity:** 21 litres  
Minimum temperature: 30°  
**Maximum temperature;** 80°  
Reheating function  
Defrost function  
Keep warm function  
Dish warmer function  
Max weight allowance: 1.5 kg  
Commercial height: 15 cm  
Current: 2 Amp  
Frequency (Hz): 50-60 Hz  
Nominal power: 400 W  
Voltage (V): 220-240 V  
Accessories included: Silicon antislip mat

## CP315X

WARMING DRAWER, CLASSIC , FINGER  
FRIENDLY STAINLESS STEEL



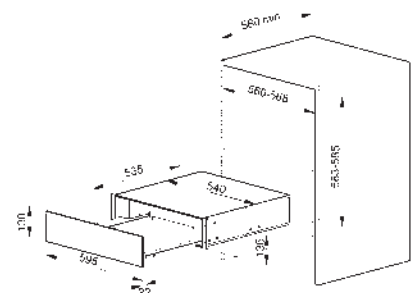
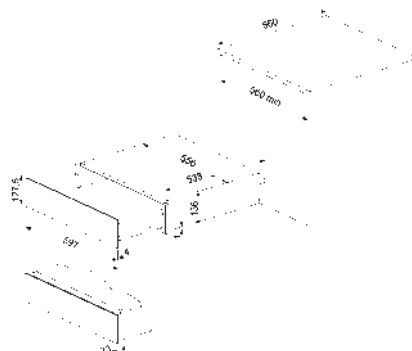
**Opening mechanism:** Push-pull  
**Capacity:** 22 litres  
Max weight allowance: 1.5 kg  
Commercial height: 15 cm  
Accessories included: Silicon antislip mat

## CTP15X

WARMING DRAWER, REHEAT , SELECTION  
SQUARED , FINGER FRIENDLY STAINLESS  
STEEL



**Opening mechanism:** Push-pull  
**Capacity:** 21 litres  
Minimum temperature: 30°  
**Maximum temperature;** 80°  
Reheating function  
Defrost function  
Keep warm function  
Dish warmer function  
Max weight allowance: 1.5 kg  
Commercial height: 15 cm  
Current: 2 Amp  
Frequency (Hz): 50-60 Hz  
Nominal power: 420 W  
Voltage (V): 220-240 V



### CPR915B

WARMING DRAWER, REHEAT , VICTORIA , WHITE



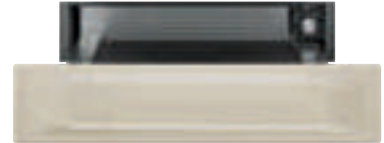
### CPR915N

WARMING DRAWER, REHEAT , VICTORIA, BLACK



### CPR915P

WARMING DRAWER, REHEAT , VICTORIA , CREAM



Opening mechanism: Push-pull

Capacity: 21 litres

Minimum temperature: 30°

Maximum temperature; 80°

Defrost

Keep warm

Dish warmer

Max weight allowance: 1.5 kg

Commercial height: 15 cm

Current: 2 Amp

Frequency (Hz): 50-60 Hz

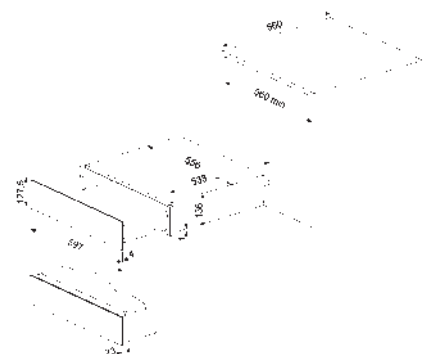
Nominal power: 400 W

Voltage (V): 220-240 V

Accessories included: Silicon antislip mat

### CPR915X

WARMING DRAWER, REHEAT , VICTORIA , FINGER FRIENDLY STAINLESS STEEL





**BVG**

GLASS TRAY AND STAINLESS STEEL GRIDDLE



Glass tray and stainless steel grid, 40mm deep Suitable for all 45 cm and 60 cm ovens

**BNP608T**

TEFLON TRAY



Teflon tray, 8mm deep

**BN640**

ENAMELLED TRAY



Enamelled tray, 40 mm deep

**BN620-1**

ENAMELLED TRAY



Enamelled tray, 20 mm deep

**KITMP38**

BUILT-IN ACCESSORY



Thin bar to change microwave ovens height

**KITPLATE**

CRISP PLATE



Teflon-coated aluminum plate with the lower part of ferrous material immersed in a silicone rubber 29cm edges of the flare, 28 cm base Suitable for microwave ovens

**PC68-1**

SET OF CATALYTIC PANELS



5 levels, 2 lamps

**PC681-1**

SET OF CATALYTIC PANELS



5 levels, 1 lamp

**PCF90**

SET OF CATALYTIC PANELS



Set of catalytic panels

**GT1P-2**

TELESCOPIC GUIDES



Partially extractable telescopic guides, 1 level

**GT1PV**

TELESCOPIC GUIDES



Partially extractable telescopic guides (1 level) for ovens with metal frames

**GT1T-2**

TELESCOPIC GUIDES



Totally extractable telescopic guides, 1 level

**GT1TV**

TELESCOPIC GUIDES



Totally extractable telescopic guides (1 level) for ovens with metal frames

**GTA-6**

TELESCOPIC SHELF SET



Telescopic shelf support set with 3 levels

**KP43M**

INTEGRATED DOOR FOR MICROWAVE OVENS, CLASSICA, ANTIFINGERPRINT



Suitable for microwave ovens and combination microwave ovens

**KP43P**

INTEGRATED DOOR FOR MICROWAVE OVENS, CLASSICA, ANTIFINGERPRINT



Suitable for pyrolytic ovens

**KP43V**

INTEGRATED DOOR FOR STEAM OVENS, CLASSICA, ANTIFINGERPRINT



Suitable for steam ovens and electric combination steam ovens

**SFLK1**

CHILD LOCK



Suitable with soft close



**PAL2**

PIZZA SHOVEL



Large Pizza shovel with double handle

**PALPZ**

PIZZA SHOVEL



Pizza shovel with folded handle

**PPR2**

UNIVERSAL PIZZA STONE



Refractory pizza stone without handles  
Squared shaped stone  
Suitable also for gas ovens, to put on the griddle

**PPR9**

PIZZA STONE



Refractory pizza stone without handles  
Squared shaped stone

**PR3845X**

COVER FOR FURNITURE



Cover for furniture in column installation  
of more ovens  
Antifingerprint stainless steel

**PRTX**

PIZZA STONE



Refractory pizza stone with handles  
Round shaped stone  
Not suitable for microwave ovens  
Suitable also for gas ovens, to put on the griddle

# OVENS ACCESSORIES

OVENS ACCESSORIES

	BN620-1	BN640	BNP608T	BVG	GTIP-2	GTIPV	GTIT-2	GTITV	GTA-6	KP43M	KP43P	KP43V	KPA43M	PAL2	PALPZ	PC68-1	PC681-1	PCF90	PPR2	PPR9	PR3845X	PRTX	SFLK1
DOSF634X			•		•		•										•						•
DOSF6390X			•		•		•										•						•
DOSF6920N1			•		•		•										•						
DOSF6920P1			•		•		•										•						
DOSP6390X			•		•		•																•
SF166X	•	•	•	•	•		•								•		•		•		•	•	•
SF4101MS	•	•	•	•	•		•															•	•
SF4102MB	•	•	•	•	•		•															•	•
SF4102MCN	•	•	•	•	•		•								•				•			•	•
SF4102MCS	•	•	•	•	•		•								•				•			•	•
SF4102MN	•	•	•	•	•		•															•	•
SF4102MS	•	•	•	•	•		•															•	•
SF4102VCN	•	•	•	•		•		•							•				•		•	•	•
SF4102VCS	•	•	•	•		•		•							•				•		•	•	•
SF4102VN	•	•	•	•		•		•							•							•	•
SF4102VS	•	•	•	•		•		•							•							•	•
SF4104MCN	•	•	•	•	•		•								•				•			•	•
SF4104MCS	•	•	•	•	•		•								•							•	•
SF4104VCN	•	•	•	•		•		•							•				•		•	•	•
SF4104VCS	•	•	•	•		•		•							•				•		•	•	•
SF4390MCX	•	•	•	•	•		•			•					•				•			•	•
SF4390MX	•	•	•	•	•		•			•												•	•
SF4390VCX1	•	•	•	•		•		•				•			•				•			•	•
SF4390VX1	•	•	•	•		•		•				•							•			•	•
SF4395MCX	•	•	•	•	•		•			•					•				•			•	•
SF4395VCX1	•	•	•	•		•		•				•			•				•			•	•
SF4603MCNR	•	•	•	•	•		•					•			•				•			•	•
SF4603MCNX	•	•	•	•	•		•								•				•			•	•
SF4603VCNR1	•	•	•	•		•		•							•				•		•	•	•
SF4603VCNX1	•	•	•	•		•		•							•				•		•	•	•
SF4604MCNR	•	•	•	•	•		•								•				•			•	•
SF4604MCNX	•	•	•	•	•		•								•				•			•	•
SF4604PMCNR	•	•	•	•	•		•								•				•			•	•
SF4604PMCNX	•	•	•	•	•		•								•				•			•	•
SF4604PVCNR1	•	•	•	•		•		•							•				•		•	•	•
SF4604PVCNX1	•	•	•	•		•		•							•				•		•	•	•
SF4604VCNR1	•	•	•	•		•		•							•				•		•	•	•
SF4604VCNX1	•	•	•	•		•		•							•				•		•	•	•
SF4750MAO	•	•	•	•	•		•															•	•
SF4750MBS	•	•	•	•	•		•															•	•
SF4750MPO	•	•	•	•	•		•															•	•
SF4800MAO	•	•	•	•	•		•															•	•
SF4800MPO	•	•	•	•	•		•															•	•
SF4920MCB1	•	•	•	•	•		•								•				•			•	•
SF4920MCN1	•	•	•	•	•		•								•				•			•	•
SF4920MCP1	•	•	•	•	•		•								•				•			•	•
SF4920MCX1	•	•	•	•	•		•								•				•			•	•
SF4920VCB1	•	•	•	•		•		•							•				•		•	•	•
SF4920VCN1	•	•	•	•		•		•							•				•		•	•	•
SF4920VCP1	•	•	•	•		•		•							•				•		•	•	•
SF4920VCX1	•	•	•	•		•		•							•				•		•	•	•
SF6101TVS	•	•	•	•	•		•								•		•		•		•	•	•
SF6101VB	•	•	•	•	•		•								•		•		•		•	•	•
SF6101VN	•	•	•	•	•		•								•		•		•		•	•	•
SF6101VS	•	•	•	•	•		•								•		•		•		•	•	•
SF6102PZS	•	•	•	•	•		•									•						•	•
SF6102TVB	•	•	•	•	•		•								•		•		•		•	•	•
SF6102TVN	•	•	•	•	•		•								•		•		•		•	•	•
SF61M3GVN	•	•	•	•	•		•															•	•
SF6341GGX	•	•	•	•	•		•															•	•
SF6341GVX	•	•	•	•	•		•															•	•
SF6341GX	•	•	•	•	•		•															•	•
SF6371X	•	•	•	•	•		•								•		•		•		•	•	•
SF6372X	•	•	•	•	•		•								•		•		•		•	•	•
SF6381X	•	•	•	•	•		•								•		•		•		•	•	•
SF6381XPZ	•	•	•	•	•		•								•	•			•		•	•	•

# OVENS ACCESSORIES

	BN620-1	BN640	BNP608T	BVG	GTIP-2	GTIPV	GTIT-2	GTITV	GTA-6	KP43M	KP43P	KP43V	KPA43M	PAL2	PALPZ	PC68-1	PC681-1	PCF90	PPR2	PPR9	PR3845X	PRTX	SFLK1
SF6388X	.	.	.	.	.		.								.	.			.		.	.	.
SF6390XE	.	.	.	.	.		.								.	.			.		.	.	.
SF6390XPZE	.	.	.	.	.		.									.					.	.	.
SF6395XE	.	.	.	.	.		.								.	.			.		.	.	.
SF6402TVS	.	.	.	.	.		.								.		.		.		.	.	.
SF64M2GN	.	.	.	.	.		.														.	.	.
SF64M3VB	.	.	.	.	.		.								.		.		.		.	.	.
SF64M3VN	.	.	.	.	.		.								.		.		.		.	.	.
SF64M3VS	.	.	.	.	.		.								.		.		.		.	.	.
SF6603NRE	.	.	.	.	.		.								.	.			.		.	.	.
SF6603NXE	.	.	.	.	.		.								.	.			.		.	.	.
SF6905B1	.	.	.	.	.		.								.	.			.		.	.	.
SF6905N1	.	.	.	.	.		.								.	.			.		.	.	.
SF6905NO1	.	.	.	.	.		.								.	.			.		.	.	.
SF6905P1	.	.	.	.	.		.								.	.			.		.	.	.
SF6905X1	.	.	.	.	.		.								.	.			.		.	.	.
SF6922BPZE1	.	.	.	.	.		.									.					.	.	.
SF6922NPZE1	.	.	.	.	.		.									.					.	.	.
SF6922PPZE1	.	.	.	.	.		.									.					.	.	.
SF6922XPZE1	.	.	.	.	.		.									.					.	.	.
SF700BS	.	.	.	.	.		.								.		.		.		.	.	.
SF700PO	.	.	.	.	.		.								.		.		.		.	.	.
SF7390X	.	.	.	.	.			.							.				.		.	.	.
SF750AO			.													.							.
SF750AS	.	.	.	.	.		.								.	.			.		.	.	.
SF750BS	.	.	.	.	.		.								.	.			.		.	.	.
SF750PO	.	.	.	.	.		.								.	.			.		.	.	.
SF750RA	.	.	.	.	.		.								.	.			.		.	.	.
SF800AO	.	.	.	.	.		.								.		.		.		.	.	.
SF800AVO	.	.	.	.	.		.								.		.		.		.	.	.
SF800GVPO	.	.	.	.	.		.														.	.	.
SF800PO	.	.	.	.	.		.								.		.		.		.	.	.
SF855AO	.	.	.	.	.		.								.	.			.		.	.	.
SF855AVO	.	.	.	.	.		.								.	.			.		.	.	.
SF855PO	.	.	.	.	.		.								.	.			.		.	.	.
SF855RA	.	.	.	.	.		.								.	.			.		.	.	.
SF855X	.	.	.	.	.		.								.	.			.		.	.	.
SF9300GGVX1			.													.							.
SF9300GVX1																							.
SF9390X1			.		.		.													.		.	.
SFP4390XPZ	.	.	.	.	.		.			.											.	.	.
SFP6101TVB	.	.	.	.	.		.								.				.		.	.	.
SFP6102TVB	.	.	.	.	.		.								.				.		.	.	.
SFP6104TVB	.	.	.	.	.		.								.				.		.	.	.
SFP6372X	.	.	.	.	.		.								.				.		.	.	.
SFP6378X	.	.	.	.	.		.								.				.		.	.	.
SFP6390XE	.	.	.	.	.		.								.				.		.	.	.
SFP6395XE	.	.	.	.	.		.								.				.		.	.	.
SFP6603NRE	.	.	.	.	.		.								.				.		.	.	.
SFP6603NXE	.	.	.	.	.		.								.				.		.	.	.
SFP6604NRE	.	.	.	.	.		.								.				.		.	.	.
SFP6604NXE	.	.	.	.	.		.								.				.		.	.	.
SFP6604PNRE	.	.	.	.	.		.								.				.		.	.	.
SFP6604PNXE	.	.	.	.	.		.								.				.		.	.	.
SFP6604STNR	.	.	.	.	.		.								.				.		.	.	.
SFP6604STNX	.	.	.	.	.		.								.				.		.	.	.
SFP6925BPZE1	.	.	.	.	.		.								.				.		.	.	.
SFP6925NPZE1	.	.	.	.	.		.								.				.		.	.	.
SFP6925PPZE1	.	.	.	.	.		.								.				.		.	.	.
SFP6925XPZE1	.	.	.	.	.		.								.				.		.	.	.
SFP750AOPZ	.	.	.	.	.		.														.	.	.
SFP750BSPZ	.	.	.	.	.		.														.	.	.
SFP750POPZ	.	.	.	.	.		.														.	.	.
SFP805AO	.	.	.	.	.		.								.				.		.	.	.
SFP805PO	.	.	.	.	.		.								.				.		.	.	.
SFT805PO	.	.	.	.	.		.								.		.		.		.	.	.

# HOBS

Advanced technologies, refined design and the best materials - these are the main components of Smeg appliances design, known throughout the world.



# Hobs

*diversity and harmony*



**DOLCE STIL NOVO**



**PIANO DESIGN**



**LINEA**



**CLASSICA**

Smeg hobs combine design, innovative technology and simplicity of use. A wide range allows to choose hob to any kitchen: from classic to modern, in which it will play a central role, due to its sophisticated surfaces and interesting finishing.



**VICTORIA**



**CORTINA**



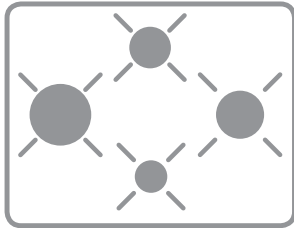
**COLONIALE**



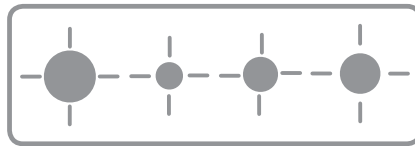
**SELKEZIONE**

# TYPES OF HOBS

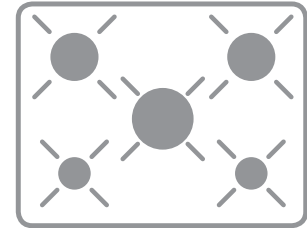
## *different layouts*



OPTIMUM SPACE BETWEEN THE BURNERS



MAXIMUM EASE OF ACCESS TO BURNERS



TRADITIONAL BURNER LAYOUT

## *variety of sizes*

**DOMINO HOBS**  
30 and 38 cm wide

**TRADITIONAL HOBS**  
from 60 to 90 cm wide

**MODERN HOBS**  
100 cm wide

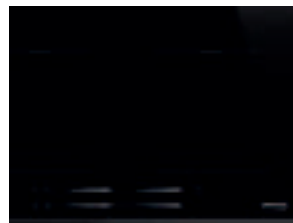
## *different working principles*



**BLADE BURNERS**



**GAS**



**INDUCTION**



**GLASS CERAMICS**

Wide range of models of different dimensions, shapes and types is the ideal solution for any kitchen. Using of the best materials, advanced design and attention to details are the distinctive features of Smeg appliances.



## HOBS

# *functionality and aesthetics*



### **BLADE BURNERS**

Burners with laminar vertical flame are designed to maximize the efficiency of heat distribution on the bottom of the dishes.

### **TITANIUM PAN STANDS**

Steel pan stands have a titanium coating that makes them resistant to heat.



## *true masterpiece*



This creative design of grids was inspired by nature itself. Images of birds, butterflies, insects, and fruit reflect the creative soul of Smeg and transform hob in a work of art, with a strong stylistic effect and high performance as hobs with conventional grids have.

## GAS HOBS

# *elegance and technology*

HOBS



### **BURNERS WITH VERTICAL FLAME**

The unique technology of these burners makes the flame almost vertical; heat does not spread over the surface, and is concentrated at the bottom of dishes, thereby enhancing the performance of burners.



### **GLASS ON METAL**

Exclusive metal base consists of a layer of steel and a layer of tempered glass. If glass hob is accidentally broken, a special adhesive agent between the glass and steel will prevent the destruction of the hob.

### **GLASS CERAMICS**

Special 8 mm temperate glass with new colors coordinating with the oven



## HOBS

# *flexible and safe*



### **BEVELED EDGE**

Detail, adding the hob elegance and practicality.



### **STRAIGHT EDGE**

Suitable for building in both in the traditional manner, and flush-fitted.



### **WITH FRAME**

Steel and color frames allow to perfectly combine appliances of different series.



### **ULTRA-RAPID BURNER**

Some ultra-rapid burners offer 3 different configurations for using the flame. Burners have 2 rows of flame which may be used together or independently.

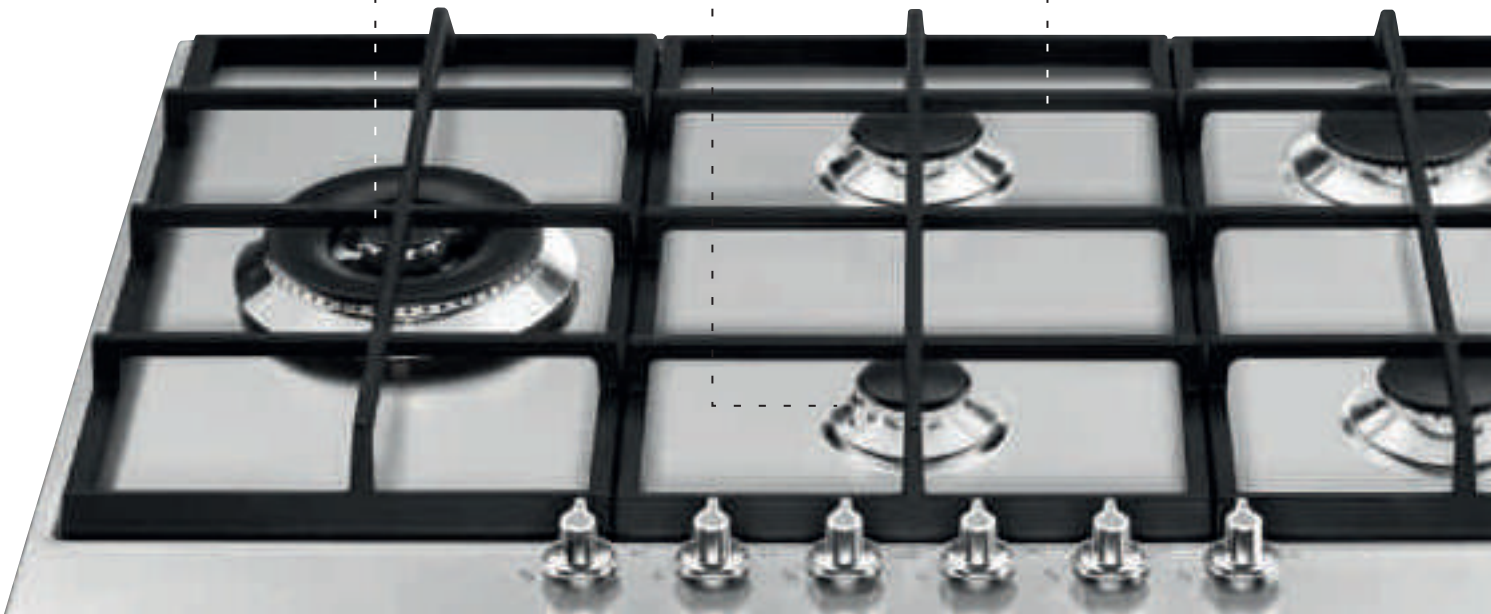


### **GAS CONTROL**

Gas control system provides the most effective protection from gas leaks. It automatically blocks the supply of gas in case if the flame is extinguished accidentally.

### **CAST IRON PAN STANDS**

Cast iron pan stands are resistant to high temperatures. They are very robust, and their appearance does not deteriorate with time.



## ELECTRIC HOBS

# *efficient technology*



### INDUCTION

Induction cooking is based on the principle of electromagnetic induction. The heat is generated directly into the bottom of the pan during its contact with the cooking surface. The impressive technology allows you to boil a pint of water in less than a minute, which is much faster than to heat it from the gas, and the electronic control system ensures precise control of the heating temperature.



### MULTIZONE

With MultiZone the heating zone can be used as two independent cooking zones or combined into a single cooking zone. Each zone is automatically adapted to the size and position of the dishes and is heated only where the dishes are located, providing better heat distribution and maximum efficiency.



### POTS AND PAN DETECTION

The hob detects pots and pans suitable for induction and automatically activate the zone control system on which the cookware is located

### GLASS CERAMICS

Smeg range of ceramic hobs offer maximum style and practicality. The highest quality and safety is assured by using the best materials and stringent checks during the manufacturing process.



### BURNERS WITH EXTENDED COOKING ZONE

The majority of hobs offer dual cooking zones, either circular or oval, adding extra versatility in cooking. The zones vary from the lowest output at only 0.8 kW up to the super powerful zones with an output of 2.4 kW.

The Smeg range also includes hobs with extended zone for complete versatility.

## COMMON CHARACTERISTICS

### *impressive features*



#### **ULTRA LOW**

The temperature for this option is very low (about 60 °C), making it ideal for melting chocolate or butter or simply keeping food warm.



#### **POWER BOOSTER**

This option allows the zone to work at full power when it is necessary to cook foods that require very intense cooking.



#### **CHILD SAFETY LOCK**

This safety feature locks the controls when they are not in use, providing added safety in the kitchen.



#### **TIMER**

The timer allows you to set the cooking time for each heating zone. At the end of the preset time the heating zone switches off.



#### **ECO LOGIC**

The ECO-logic option limits total energy consumption so that one can use hob and other appliances at the same time.



#### **QUICK START**

By choosing this function, you get the required temperature much faster because the heating element operates at maximum power and then automatically decreases to the selected level.

## INDUCTION HOBS

### *new intuitive slider*



#### **CONNECTION BETWEEN HOB AND HOOD**

Speed of the fan is defined automatically on basis of mode setting and temperature of the hottest cookware on the hob. There are 6 settings and the hood automatically switch on the lights and the fan speed according the power select in the hobs or the temperature. It is possible also operate the fan from the hob manually.



#### **PERFECT-HEAT**

New hobs with New Intuitive Slider let you set a heating level to cook your food and keeps the selected temperature automatically while cooking/frying. No manual temperature adjustment is necessary.

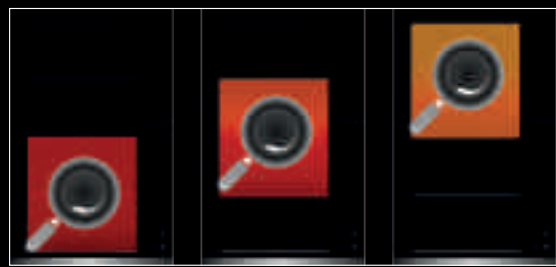
With elegant grey graphics, and slider controls with red LED light are very simple to use, intuitive.

#### **CONTROLS**

14 power level setting + booster: precision and more accurate control of the temperature (level 1: Keep Warming, level 2-3: Melting, level 3-5: Simmering, level 7-9: Long Cook level 9-12: Gentle Fry, level 12-13: Heavy Fry, level 14: Boil water).

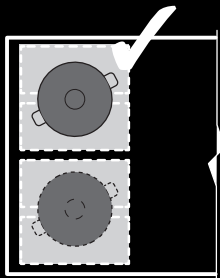
## INDUCTION HOBS

# *technology meets cooking*

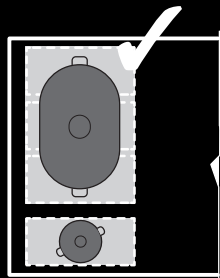


### **FLEXI HEAT**

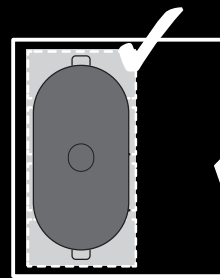
With this function it is possible to move the pan between the three zones at set temperatures to heat quickly (high temperature), cook (medium temperature) or maintain hot (minimum temperature) without the need to higher or lower the temperature but simply moving the pan depending on the need. It is also possible to modify the preset temperatures.



DOUBLE MODE



TRIO MODE



FOUR MODE

### **FLEXI4ZONE**

This system allows different sized pans to be used at the same time giving maximum flexibility.

# *maximum efficiency*

### **ECO-LOGIC**

This options allows the user to limit the power and set the preferred voltage with up to 10 options ranging from 1,5kW to 7,2kW in steps of 0,5 kW.

### **ECO-OFF**

To save energy the cooking heat zone deactivates before the timer countdown sounds.

### **ECO-HEAT**

It is possible to select one of three residual heat indicators to optimize cooking or simply to maintain food warm without heat dispersion.

## SIM693WLDR

HOB, 90 CM, INDUCTION, DOLCE STIL NOVO, MULTIZONE OPTION, BLACK, COPPER FINISHING



## SIM693WLDX

HOB, 90 CM, INDUCTION, DOLCE STIL NOVO, MULTIZONE OPTION, BLACK



### PLUS:



#### Traditional Built-in

6 induction cooking zones

6 booster cooking zones

1st zone booster power: 3600 W

Rear left: 18.0x23.0, 2100 W, 3600 W

2nd zone booster power: 3600 W

3rd zone booster power: 3600 W

4th zone booster power: 3600 W

5th zone booster power: 3600 W

6th zone booster power: 3600 W

9 power levels

Central Multizone dimension: 385x230 mm

Left Multizone dimension: 385x230 mm

Right Multizone dimension: 385x230 mm

Simmering function

Melting/low temperature cooking function

Levels quick setting

Automatic pan diameter adjustment

Pan detection

Automatic switch off when overheat

Automatic switch off when overflow

Protection against accidental start up

Ceramic glass

Straight edge

Frontal controls

Controls lock/Child safety

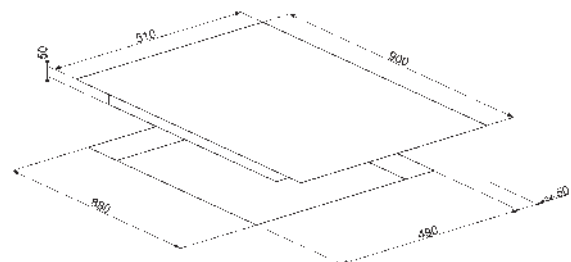
Voltage (V): 220-240 V

Voltage 2 (V): 380-415 V

Frequency (Hz): 50/60 Hz

Current: 47 Amp

Electrical connection rating (W): 10800 W







### SIM662WLDR

HOB, 60 CM, INDUCTION, DOLCE STIL NOVO, MULTIZONE OPTION, BLACK, COPPER FINISHING

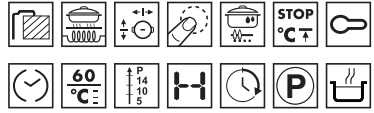


### SIM662WLDX

HOB, 60 CM, INDUCTION, DOLCE STIL NOVO, MULTIZONE OPTION, BLACK

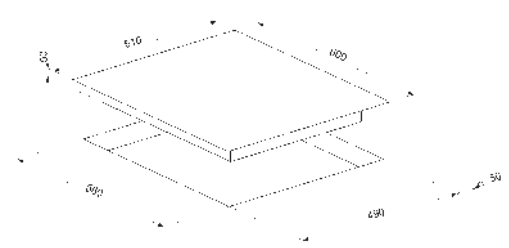


**PLUS:**



- Traditional Built-in
- 4 induction cooking zones
- 4 booster cooking zones
- 1st zone booster power: 3600 W
- Rear left: 18.0x23.0, 2100 W, 3600 W
- 2nd zone booster power: 3600 W
- 3rd zone booster power: 3600 W
- Front right: 18.0x23.0, 2100 W, 3600 W
- 4th zone booster power: 3600 W
- 9 power levels
- Left Multizone dimension: 385x230 mm
- Right Multizone dimension: 385x230 mm
- Simmering function
- Melting/low temperature cooking function
- Levels quick setting
- Automatic pan diameter adjustment
- Pan detection
- Automatic switch off when overheat
- Automatic switch off when overflow
- Protection against accidental start up
- Ceramic glass
- Straight edge
- Frontal controls
- Controls lock/Child safety

Voltage (V): 220-240 V  
 Voltage 2 (V): 380-415 V  
 Frequency (Hz): 50/60 Hz  
 Current: 32 Amp  
 Electrical connection rating (W): 7200 W



## SIM631WLDR

HOB, 38 CM , INDUCTION, DOLCE  
STIL NOVO, MULTIZONE OPTION,  
BLACK, COPPER FINISHING

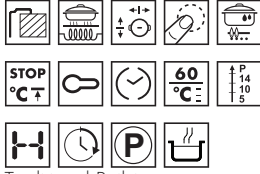


## SIM631WLDX

HOB, 38 CM , INDUCTION,  
DOLCE STIL NOVO, MULTIZONE  
OPTION, BLACK



### PLUS:



Traditional Built-in

2 induction cooking zones

2 booster cooking zones

1st zone booster power:

3600 W

2nd zone booster power:

3600 W

9 power levels

Central Multizone dimension:

385x230 mm

Simmering function

Melting/low temperature

cooking function

Levels quick setting

Automatic pan diameter

adjustment

Pan detection

Automatic switch off when

overheat

Automatic switch off when

overflow

Protection against accidental

start up

Ceramic glass

Straight edge

Frontal controls

Controls lock/Child safety

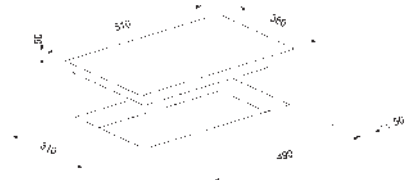
Voltage (V): 220-240 V

Frequency (Hz): 50/60 Hz

Current: 16 Amp

Electrical connection rating (W):

3600 W



## PM6912WLDX

HOB, 90 CM, MIXED, DOLCE STIL NOVO, MULTIZONE OPTION, BLACK



## PM6912WLDR

HOB, 90 CM, MIXED, DOLCE STIL NOVO, MULTIZONE OPTION, BLACK, COPPER FINISHING



### PLUS:



Traditional Built-in

1 gas burner

4 induction cooking zones

4 booster cooking zones

2nd zone booster power: 3600 W

3rd zone booster power: 3600 W

4th zone booster power: 3600 W

5th zone booster power: 3600 W

9 power levels

Central Multizone dimension: 385x230 mm

Right Multizone dimension: 385x230 mm

Cast iron pan stand

Simmering function

Melting/low temperature cooking function

Levels quick setting

Automatic pan diameter adjustment

Pan detection

Automatic switch off when overheat

Automatic switch off when overflow

Protection against accidental start up

Safety valves

Ceramic glass

Straight edge

Frontal controls

Contemporanea smeg burners

Aluminium burners

Black knobs

Controls lock/Child safety

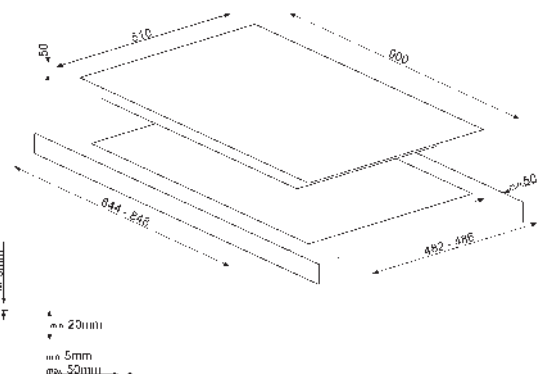
Voltage (V): 220-240 V

Voltage 2 (V): 380-415 V

Frequency (Hz): 50/60 Hz

Current: 33 Amp

Electrical connection rating (W): 7400 W



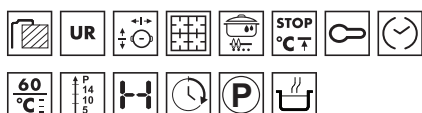


## PM6721WLDX

HOB, 70/75 CM, MIXED, DOLCE STIL NOVO,  
MULTIZONE OPTION, BLACK

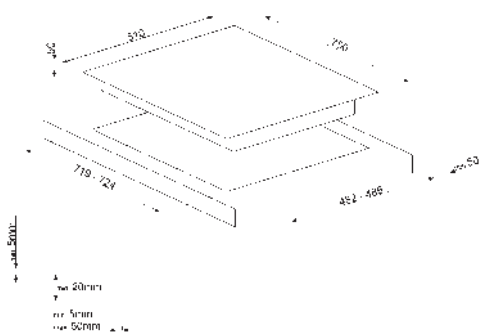


### PLUS:



Traditional Built-in  
2 gas burners  
2 induction cooking zones  
2 booster cooking zones  
Rear left: 3300 W  
3rd zone booster power: 3600 W  
Front right: 18.0x23.0, 2100 W, 3600 W  
4th zone booster power: 3600 W  
9 power levels  
Right Multizone dimension: 385x230 mm  
Cast iron pan stand  
Simmering function  
Melting/low temperature cooking function  
Levels quick setting  
Automatic pan diameter adjustment  
Pan detection  
Automatic switch off when overheat  
Automatic switch off when overflow  
Protection against accidental start up  
Safety valves  
Ceramic glass  
Straight edge  
Frontal controls  
Contemporanea smeg burners  
Alluminium burners  
Black knobs  
Controls lock/Child safety

Voltage (V): 220-240 V  
Frequency (Hz): 50/60 Hz  
Current: 16 Amp  
Electrical connection rating (W): 3700 W

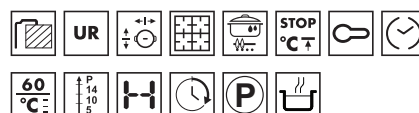


## PM6721WLDR

HOB, 70/75 CM, MIXED, DOLCE STIL NOVO,  
MULTIZONE OPTION, BLACK, COPPER FINISHING

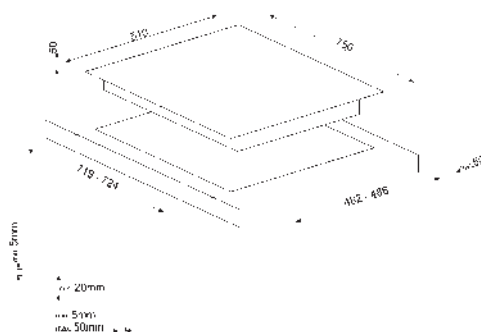


### PLUS:



Traditional Built-in  
2 gas burners  
2 induction cooking zones  
2 booster cooking zones  
Rear left: 3300 W  
3rd zone booster power: 3600 W  
Front right: 18.0x23.0, 2100 W, 3600 W  
4th zone booster power: 3600 W  
9 power levels  
Right Multizone dimension: 385x230 mm  
Cast iron pan stand  
Simmering function  
Melting/low temperature cooking function  
Levels quick setting  
Automatic pan diameter adjustment  
Pan detection  
Automatic switch off when overheat  
Automatic switch off when overflow  
Protection against accidental start up  
Safety valves  
Ceramic glass  
Straight edge  
Frontal controls  
Contemporanea smeg burners  
Alluminium burners  
Black knobs  
Controls lock/Child safety

Voltage (V): 220-240 V  
Frequency (Hz): 50/60 Hz  
Current: 16 Amp  
Electrical connection rating (W): 3700 W

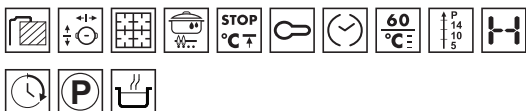


## PM6621WLDR

HOB, 65 CM, MIXED, DOLCE STIL NOVO, MULTIZONE OPTION, BLACK, COPPER FINISHING



### PLUS:

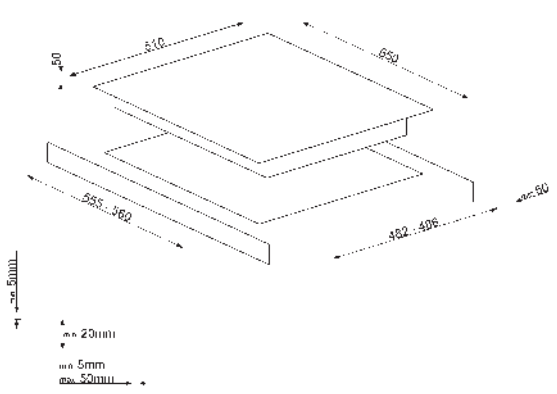


- Traditional Built-in
- 2 gas burners
- 2 induction cooking zones
- 2 booster cooking zones
- Rear left: 3100 W
- 3rd zone booster power: 3600 W
- Front right: 18.0x23.0, 2100 W, 3600 W
- 4th zone booster power: 3600 W
- 9 power levels
- Right Multizone dimension: 38.5x230 mm
- Cast iron pan stand
- Simmering function
- Melting/low temperature cooking function
- Levels quick setting
- Automatic pan diameter adjustment
- Pan detection
- Automatic switch off when overheat
- Automatic switch off when overflow
- Protection against accidental start up
- Safety valves
- Ceramic glass
- Straight edge
- Frontal controls
- Contemporanea smeg burners
- Alluminium burners
- Black knobs
- Controls lock/Child safety

Voltage (V): 220-240 V  
 Frequency (Hz): 50/60 Hz  
 Current: 16 Amp  
 Electrical connection rating (W): 3700 W

## PM6621WLDX

HOB, 65 CM, MIXED, DOLCE STIL NOVO, MULTIZONE OPTION, BLACK



## PV695LCNR

HOB, 90 CM, GAS, DOLCE STIL NOVO, BLACK, COPPER FINISHING



## PV695LCNX

HOB, 90 CM, GAS, DOLCE STIL NOVO, BLACK

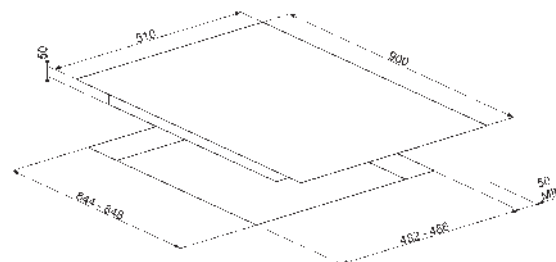


### PLUS:



Traditional Built-in  
5 gas burners  
Left: 6000 W  
Cast iron pan stand  
Safety valves  
Ceramic glass  
Straight edge  
Frontal controls  
Contemporanea smeg burners  
Alluminium burners  
Black knobs

Voltage (V): 220-240 V  
Frequency (Hz): 50/60 Hz  
Electrical connection rating (W): 1 W







## PV675CNR

HOB, 70/75 CM, GAS, DOLCE STIL NOVO, BLACK, COPPER FINISHING



## PV675CNX

HOB, 70/75 CM, GAS, DOLCE STIL NOVO, BLACK

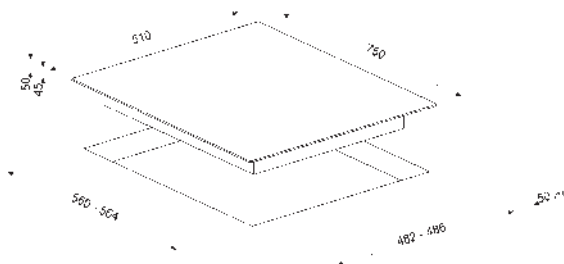


### PLUS:



Traditional Built-in  
5 gas burners  
Rear left: 1700 W  
Cast iron pan stand  
Safety valves  
Ceramic glass  
Straight edge  
Frontal controls  
Contemporanea smeg burners  
Alluminium burners  
Black knobs

Voltage (V): 220-240 V  
Frequency (Hz): 50/60 Hz  
Electrical connection rating (W): 1 W



## PV664LCNR

HOB, 65 CM, GAS, DOLCE STIL NOVO, BLACK, COPPER FINISHING



### PLUS:

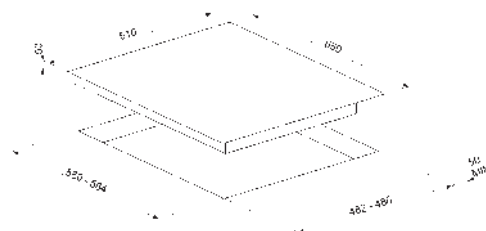


Traditional Built-in  
4 gas burners  
Left: 3100 W  
Cast iron pan stand  
Safety valves  
Ceramic glass  
Straight edge  
Frontal controls  
Contemporanea smeg burners  
Alluminium burners  
Black knobs

Voltage (V): 220-240 V  
Frequency (Hz): 50/60 Hz  
Electrical connection rating (W): 1 W

## PV664LCNX

HOB, 65 CM, GAS, DOLCE STIL NOVO, BLACK



### PV632CNR

HOB, 38 CM , GAS, DOLCE STIL NOVO, BLACK, COPPER FINISHING



**PLUS:**

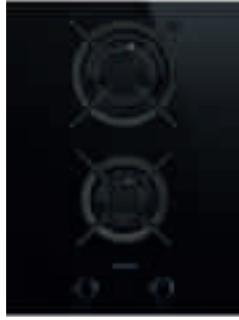


Traditional Built-in  
2 gas burners  
Cast iron pan stand  
Safety valves  
Ceramic glass  
Straight edge  
Frontal controls  
Contemporanea smeg burners  
Alluminium burners  
Black knobs

Voltage (V): 220-240 V  
Frequency (Hz): 50/60 Hz  
Electrical connection rating (W):  
1 W

### PV632CNX

HOB, 38 CM , GAS, DOLCE STIL NOVO, BLACK



### PV631CNR

HOB, 38 CM , GAS, DOLCE STIL NOVO, BLACK, COPPER FINISHING



**PLUS:**

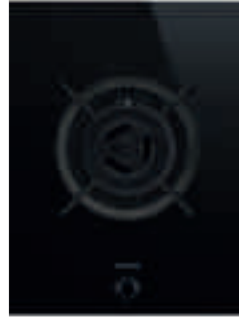


Traditional Built-in  
1 gas burner  
Cast iron pan stand  
Safety valves  
Ceramic glass  
Straight edge  
Frontal controls  
Contemporanea smeg burners  
Alluminium burners  
Black knobs

Voltage (V): 220-240 V  
Frequency (Hz): 50/60 Hz  
Electrical connection rating (W):  
1 W

### PV631CNX

HOB, 38 CM , GAS, DOLCE STIL NOVO, BLACK

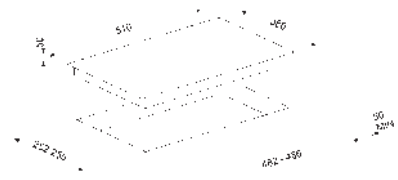


**PLUS:**



Traditional Built-in  
1 gas burner  
Cast iron pan stand  
Safety valves  
Ceramic glass  
Straight edge  
Frontal controls  
Contemporanea smeg burners  
Alluminium burners  
Black knobs

Voltage (V): 220-240 V  
Frequency (Hz): 50/60 Hz  
Electrical connection rating (W):  
1 W



## PV631CNR

HOB, 38 CM , GAS, DOLCE  
STIL NOVO, BLACK, COPPER  
FINISHING



## PV631CNX

HOB, 38 CM , GAS, DOLCE STIL  
NOVO, BLACK

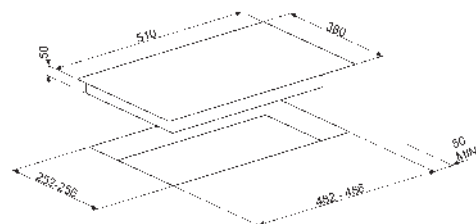


### PLUS:



Traditional Built-in  
1 gas burner  
Cast iron pan stand  
Safety valves  
Ceramic glass  
Straight edge  
Frontal controls  
Contemporanea smeg burners  
Alluminium burners  
Black knobs

Voltage (V): 220-240 V  
Frequency (Hz): 50/60 Hz  
Electrical connection rating (W): 1 W



## P106ES

HOB, 100 CM, GAS, PIANO DESIGN, STAINLESS STEEL

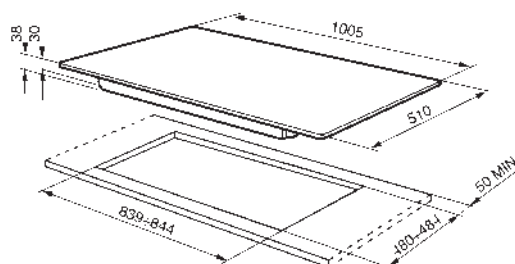


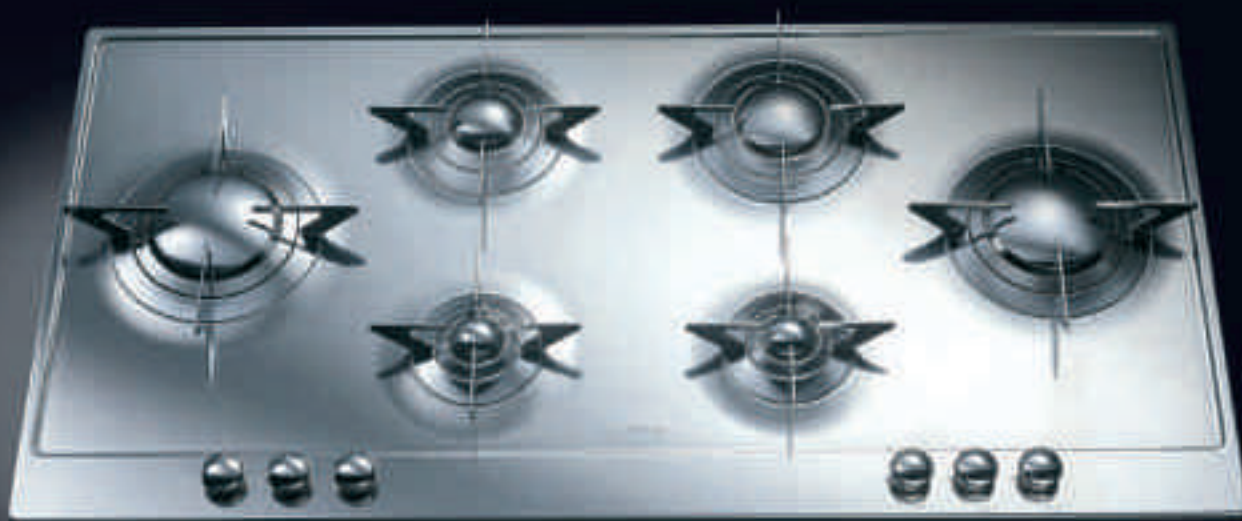
### PLUS:



Traditional Built-in  
6 gas burners  
Left: 3600 W  
Rear left: 1650 W  
Front left: 1050 W  
Front right: 2300 W  
Rear right: 1050 W  
Right: 3600 W  
Stainless steel  
Safety valves  
Frontal controls  
Piano design burners  
Stainless steel burners  
EverShine treatment  
Stainless steel effect knobs

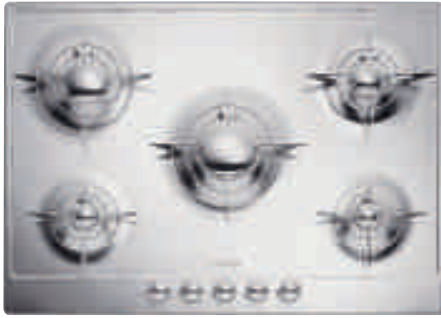
Voltage (V): 220-240  
Frequency (Hz): 50/60





### P705ES

HOB, 70/75 CM, GAS, PIANO DESIGN, STAINLESS STEEL

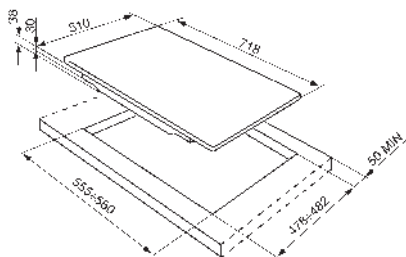


**PLUS:**



- Traditional Built-in
- 5 gas burners
- Rear left: 2300 W
- Stainless steel
- Safety valves
- Frontal controls
- Piano design burners
- Stainless steel burners
- EverShine treatment
- Stainless steel effect knobs

Voltage (V): 220-240 V  
 Frequency (Hz): 50/60 Hz  
 Electrical connection rating (W): 1 W



### P64ES

HOB, 60 CM, GAS, PIANO DESIGN, STAINLESS STEEL

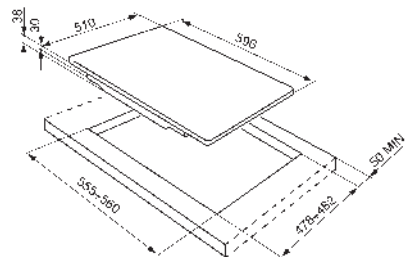


**PLUS:**



- Traditional Built-in
- 4 gas burners
- Rear left: 2300 W
- Front right: 1050 W
- Stainless steel
- Safety valves
- Frontal controls
- Piano design burners
- Stainless steel burners
- EverShine treatment
- Stainless steel effect knobs

Voltage (V): 220-240 V  
 Frequency (Hz): 50/60 Hz  
 Electrical connection rating (W): 1 W





## PTV705ES

HOB, 70/75 CM, GAS, PIANO DESIGN, SILVER GLASS



### PLUS:



Traditional Built-in  
5 gas burners  
Rear left: 2300 W  
Stainless steel  
Safety valves  
Mirror glass  
Bevelled edge  
Frontal controls  
Piano design burners  
Stainless steel burners  
EverShine treatment  
Stainless steel effect knobs

Voltage (V): 220-240 V  
Frequency (Hz): 50/60 Hz  
Electrical connection rating (W): 1 W

## PTV64ES

HOB, 60 CM, GAS, PIANO DESIGN, SILVER GLASS

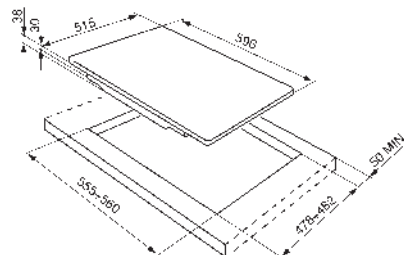
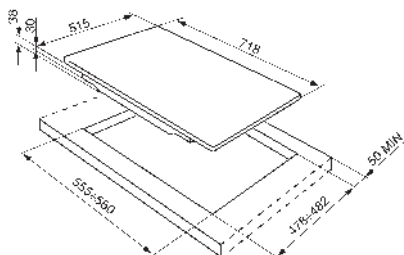


### PLUS:



Traditional Built-in  
4 gas burners  
Rear left: 2300 W  
Front right: 1050 W  
Stainless steel  
Safety valves  
Mirror glass  
Bevelled edge  
Frontal controls  
Piano design burners  
Stainless steel burners  
EverShine treatment  
Stainless steel effect knobs

Voltage (V): 220-240 V  
Frequency (Hz): 50/60 Hz  
Electrical connection rating (W): 1 W



## PX1402

HOB, 100 CM, GAS, LINEA, STAINLESS STEEL

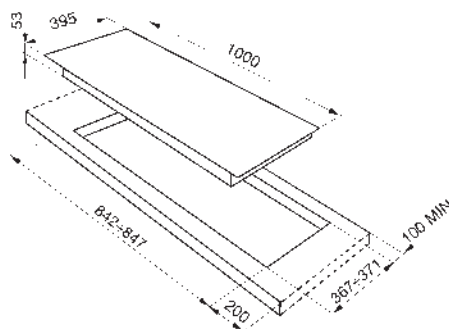


### PLUS:



Ultra-low profile installation  
4 gas burners  
Left: 4200 W  
Cast iron pan stand  
Safety valves  
Frontal controls  
Vertical flame burners  
Stainless steel effect knobs

Voltage (V): 220-240 V  
Frequency (Hz): 50/60 Hz  
Electrical connection rating (W): 5 W





## PX7502

HOB, 70/75 CM, GAS, LINEA, STAINLESS STEEL



### PLUS:



Ultra-low profile installation  
5 gas burners  
Rear left: 1700 W  
Cast iron pan stand  
Safety valves  
Frontal controls  
Vertical flame burners  
Stainless steel effect knobs  
Stainless steel effect frame

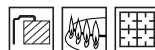
Voltage (V): 220-240 V  
Frequency (Hz): 50/60 Hz  
Electrical connection rating (W): 1 W

## PV175B2

HOB, 70/75 CM, GAS, LINEA, WHITE

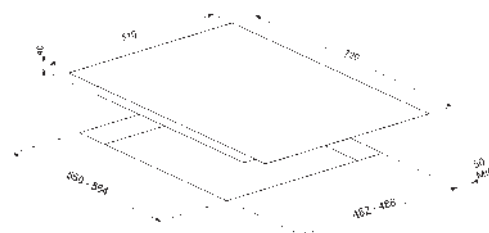
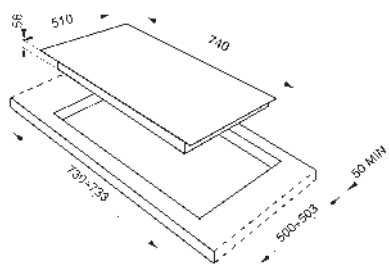


### PLUS:



Traditional Built-in  
5 gas burners  
Rear left: 1700 W  
Cast iron pan stand  
Safety valves  
Standard glass  
Bevelled edge  
Frontal controls  
Vertical flame, flat design burners  
Alluminium burners  
Stainless steel effect knobs

Voltage (V): 220-240 V  
Frequency (Hz): 50/60 Hz  
Electrical connection rating (W): 1 W



## PV164B2

HOB, 60 CM, GAS, LINEA, WHITE



## PV164N2

HOB, 60 CM, GAS, LINEA, BLACK



## PV164S2

HOB, 60 CM, GAS, LINEA, SILVER GLASS

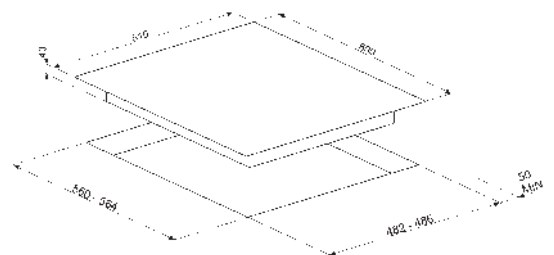


### PLUS:



Traditional Built-in  
4 gas burners  
Rear left: 1700 W  
Front right: 1100 W  
Cast iron pan stand  
Safety valves  
Standard glass  
Bevelled edge  
Frontal controls  
Vertical flame, flat design burners  
Alluminium burners  
Stainless steel effect knobs

Voltage (V): 220-240 V  
Frequency (Hz): 50/60 Hz  
Electrical connection rating (W): 1 W



## PV163B2

HOB, 60 CM, GAS, LINEA, WHITE



## PV163N2

HOB, 60 CM, GAS, LINEA, BLACK



## PV163S2

HOB, 60 CM, GAS, LINEA, SILVER GLASS

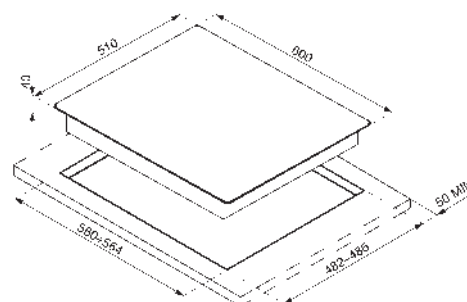


### PLUS:



Traditional Built-in  
3 gas burners  
Left: 3200 W  
Cast iron pan stand  
Safety valves  
Standard glass  
Bevelled edge  
Frontal controls  
Vertical flame, flat design burners  
Alluminium burners  
Stainless steel effect knobs

Voltage (V): 220-240 V  
Frequency (Hz): 50/60 Hz  
Electrical connection rating (W): 1 W



## PX175

HOB, 70/75 CM, GAS, LINEA, STAINLESS STEEL



### PLUS:



Traditional Built-in  
5 gas burners  
Rear left: 2600 W  
Cast iron pan stand  
Safety valves  
Frontal controls  
Contemporanea smeg burners  
Alluminium burners  
Stainless steel effect knobs

Voltage (V): 220-240 V  
Frequency (Hz): 50/60 Hz  
Electrical connection rating (W): 1 W

## PX175L

HOB, 70/75 CM, GAS, LINEA, STAINLESS STEEL



### PLUS:



Traditional Built-in  
5 gas burners  
Cast iron pan stand  
Safety valves  
Frontal controls  
Contemporanea smeg burners  
Alluminium burners  
Stainless steel effect knobs

Voltage (V): 220-240 V  
Frequency (Hz): 50/60 Hz  
Electrical connection rating (W): 1 W

## PX164L

HOB, 60 CM, GAS, LINEA, STAINLESS STEEL

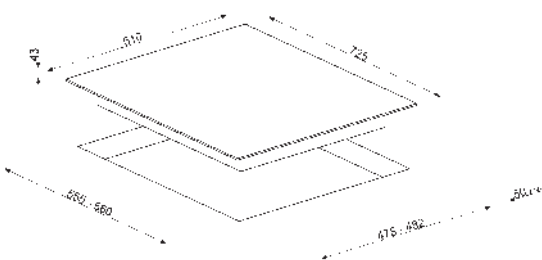


### PLUS:

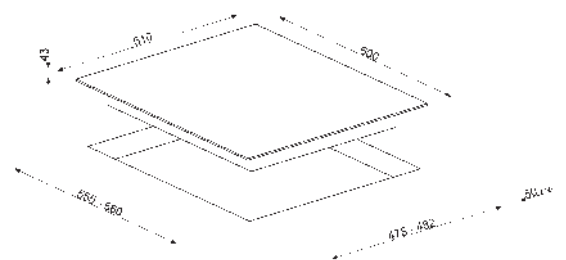


Traditional Built-in  
4 gas burners  
Left: 3500 W  
Cast iron pan stand  
Safety valves  
Frontal controls  
Contemporanea smeg burners  
Alluminium burners  
Stainless steel effect knobs

Voltage (V): 220-240 V  
Frequency (Hz): 50/60 Hz  
Electrical connection rating (W): 1 W



PX175  
PX175XL



## PV395LCN

HOB, 90 CM, GAS, CLASSICA, BLACK



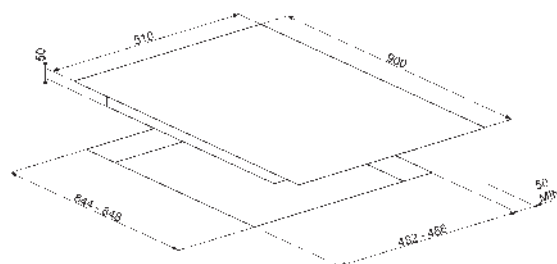
### PLUS:



Ultra-low profile or Fully Flushed installation

5 gas burners  
Left: 6000 W  
Cast iron pan stand  
Safety valves  
Ceramic glass  
Straight edge  
Frontal controls  
Contemporanea smeg burners  
Brass burners  
Stainless steel effect knobs

Voltage (V): 220-240 V  
Frequency (Hz): 50/60 Hz  
Electrical connection rating (W): 1 W





## PV375CN

HOB, 70/75 CM, GAS, CLASSICA, BLACK



### PLUS:



- Ultra-low profile or Fully Flushed installation
- 5 gas burners
- Rear left: 1700 W
- Cast iron pan stand
- Safety valves
- Ceramic glass
- Straight edge
- Frontal controls
- Contemporanea smeg burners
- Brass burners
- Stainless steel effect knobs

Voltage (V): 220-240 V  
Frequency (Hz): 50/60 Hz  
Electrical connection rating (W): 1 W

## PV364LCN

HOB, 65 CM, GAS, CLASSICA, BLACK

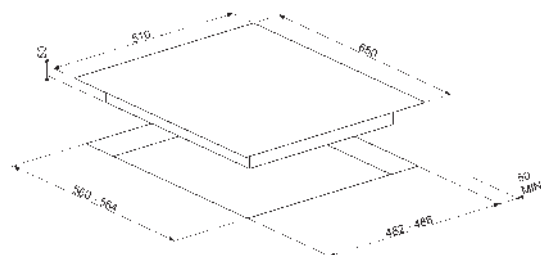
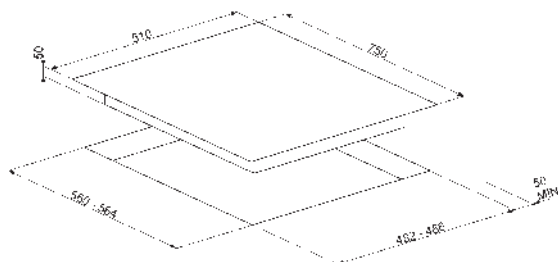


### PLUS:



- Ultra-low profile or Fully Flushed installation
- 4 gas burners
- Left: 3000 W
- Cast iron pan stand
- Safety valves
- Ceramic glass
- Straight edge
- Frontal controls
- Contemporanea smeg burners
- Brass burners
- Stainless steel effect knobs

Voltage (V): 220-240 V  
Frequency (Hz): 50/60 Hz  
Electrical connection rating (W): 1 W

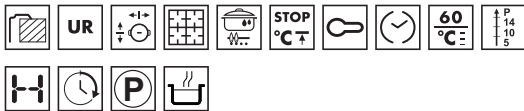


## PM3912WLD

HOB, 90 CM, MIXED, CLASSICA, MULTIZONE OPTION, BLACK



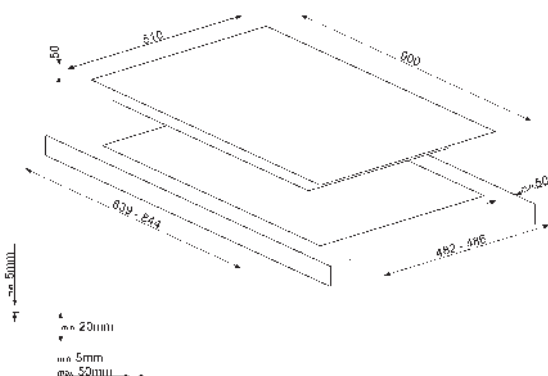
### PLUS:



Ultra-low profile installation

- 1 gas burner
- 4 induction cooking zones
- 4 booster cooking zones
- 2nd zone booster power: 3600 W
- 3rd zone booster power: 3600 W
- 4th zone booster power: 3600 W
- 5th zone booster power: 3600 W
- 9 power levels
- Central Multizone dimension: 385x230 mm
- Right Multizone dimension: 385x230 mm
- Cast iron pan stand
- Simmering function
- Melting/low temperature cooking function
- Levels quick setting
- Automatic pan diameter adjustment
- Pan detection
- Automatic switch off when overheat
- Automatic switch off when overflow
- Protection against accidental start up
- Safety valves
- Ceramic glass
- Straight edge
- Frontal controls
- Contemporanea smeg burners
- Brass burners
- Stainless steel effect knobs
- Controls lock/Child safety

Voltage (V): 220-240 V  
 Voltage 2 (V): 380-415 V  
 Frequency (Hz): 50/60 Hz  
 Current: 33 Amp  
 Electrical connection rating (W): 7400 W



## PM3721WLD

HOB, 70/75 CM, MIXED, CLASSICA, MULTIZONE OPTION, BLACK



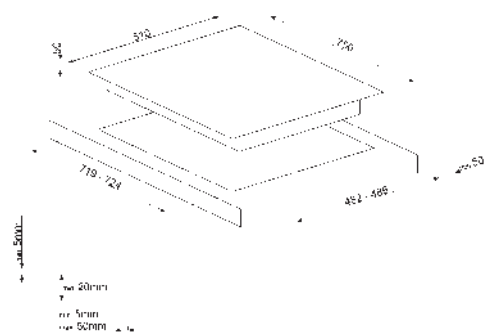
### PLUS:



Ultra-low profile installation

- 2 gas burners
- 2 induction cooking zones
- 2 booster cooking zones
- Rear left: 3300 W
- 3rd zone booster power: 3600 W
- Front right: 18.0x23.0, 2100 W, 3600 W
- 4th zone booster power: 3600 W
- 9 power levels
- Right Multizone dimension: 385x230 mm
- Cast iron pan stand
- Simmering function
- Melting/low temperature cooking function
- Levels quick setting
- Automatic pan diameter adjustment
- Pan detection
- Automatic switch off when overheat
- Automatic switch off when overflow
- Protection against accidental start up
- Safety valves
- Ceramic glass
- Straight edge
- Frontal controls
- Contemporanea smeg burners
- Brass burners
- Stainless steel effect knobs
- Controls lock/Child safety

Voltage (V): 220-240 V  
 Frequency (Hz): 50/60 Hz  
 Current: 16 Amp  
 Electrical connection rating (W): 3700 W

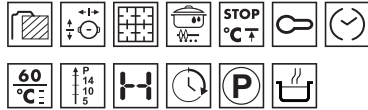


## PM3621WLD

HOB, 65 CM, MIXED, CLASSICA,  
MULTIZONE OPTION, BLACK

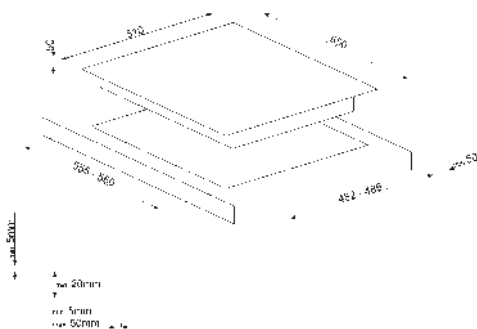


### PLUS:



- Ultra-low profile installation
- 2 gas burners
- 2 induction cooking zones
- 2 booster cooking zones
- Rear left: 3100 W
- 3rd zone booster power: 3600 W
- Front right: 18.0x23.0, 2100 W, 3600 W
- 4th zone booster power: 3600 W
- 9 power levels
- Right Multizone dimension: 38.5x230 mm
- Cast iron pan stand
- Simmering function
- Melting/low temperature cooking function
- Levels quick setting
- Automatic pan diameter adjustment
- Pan detection
- Automatic switch off when overheat
- Automatic switch off when overflow
- Protection against accidental start up
- Safety valves
- Ceramic glass
- Straight edge
- Frontal controls
- Contemporanea smeg burners
- Brass burners
- Stainless steel effect knobs
- Controls lock/Child safety

Voltage (V): 220-240 V  
Frequency (Hz): 50/60 Hz  
Current: 16 Amp  
Electrical connection rating (W): 3700 W



## SI364B

HOB, 60 CM, INDUCTION, CLASSICA,  
BLACK

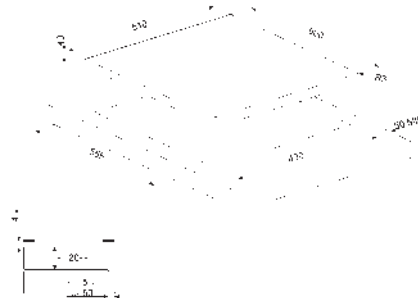


### PLUS:



- Traditional Built-in
- 4 induction cooking zones
- 4 booster cooking zones
- 1st zone booster power: 3000 W
- Rear left: Ø 16.0, 1300 W, 1400 W
- 2nd zone booster power: 1400 W
- 3rd zone booster power: 3000 W
- Front right: Ø 16.0, 1300 W, 1400 W
- 4th zone booster power: 1400 W
- 9 power levels
- Automatic pan diameter adjustment
- Pan detection
- Automatic switch off when overheat
- Protection against accidental start up
- Bevelled edge
- Frontal controls
- Stainless steel effect knobs
- Controls lock/Child safety

Voltage (V): 220-240 V  
Voltage 2 (V): 380-415 V  
Frequency (Hz): 50/60 Hz  
Current: 33 Amp  
Electrical connection rating (W): 7400 W



## PC73GNO

HOB, 70/75 CM, GAS, CLASSICA, BLACK, BLACK FINISHING



### PLUS:



Ultra-low profile installation  
3 gas burners  
Left: 6200 W  
Cast iron pan stand  
Safety valves  
Ceramic glass  
Straight edge  
Frontal controls  
Contemporanea smeg burners  
Brass burners  
Brass knobs

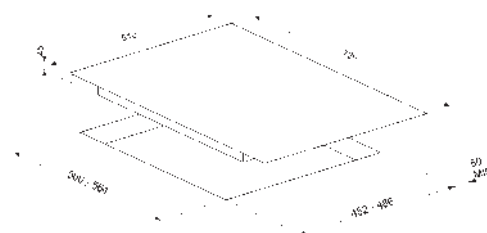
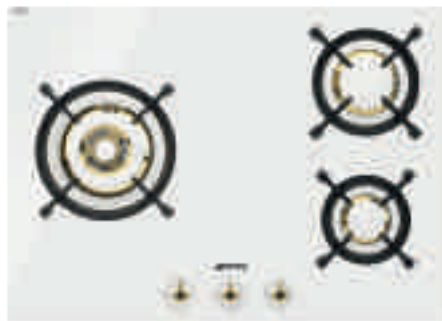
Voltage (V): 220-240 V  
Frequency (Hz): 50/60 Hz  
Electrical connection rating (W): 1 W

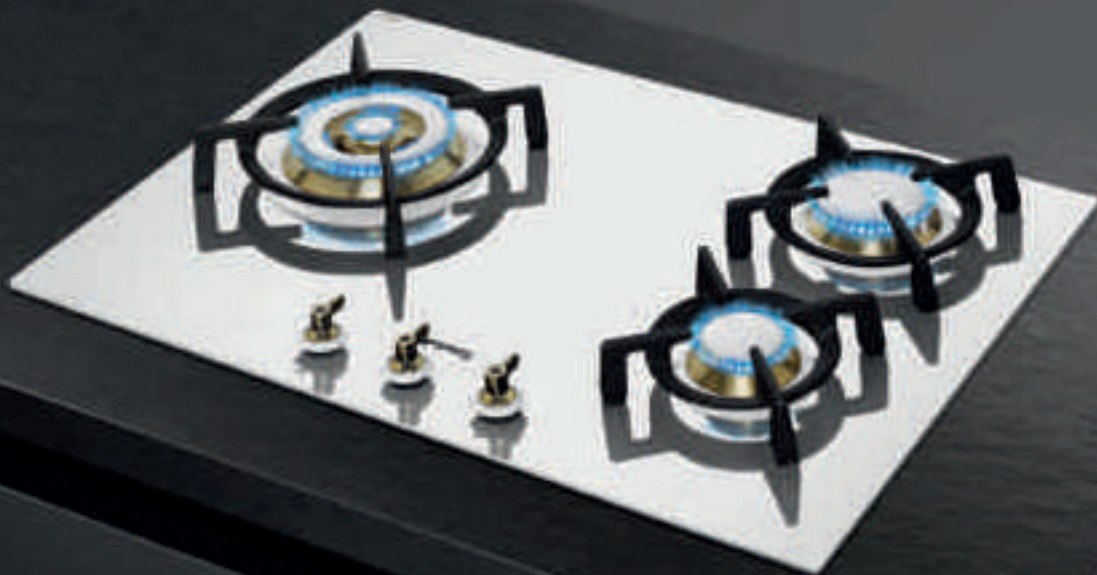
### ACCESSORIES INCLUDED:

Linea knobs kit

## PC73GBO

HOB, 70/75 CM, GAS, CLASSICA, WHITE, WHITE FINISHING





## PGF96

HOB, 90 CM, GAS, CLASSICA, STAINLESS STEEL



### PLUS:

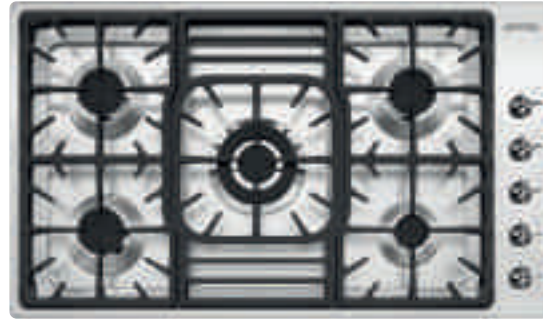


Ultra-low profile installation  
6 gas burners  
Rear left: 1050 W  
Cast iron pan stand  
Safety valves  
Frontal controls  
Standard burners  
Alluminium burners  
Stainless steel effect knobs

Voltage (V): 220-240 V  
Frequency (Hz): 50/60 Hz  
Electrical connection rating (W): 1 W

## PGF95-4

HOB, 90 CM, GAS, CLASSICA, STAINLESS STEEL

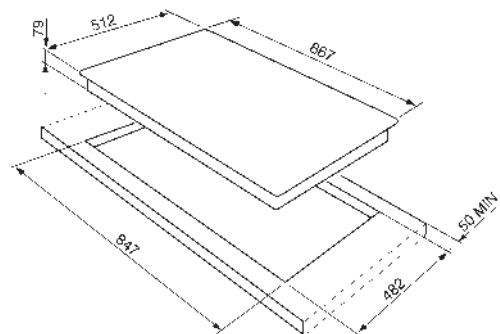


### PLUS:



Ultra-low profile installation  
5 gas burners  
Rear left: 1750 W  
Cast iron pan stand  
Safety valves  
Lateral controls  
Standard burners  
Alluminium burners  
Stainless steel effect knobs

Voltage (V): 220-240 V  
Frequency (Hz): 50/60 Hz  
Electrical connection rating (W): 1 W





## PGF75-4

HOB, 70/75 CM, GAS, CLASSICA, STAINLESS STEEL



### PLUS:



Ultra-low profile installation  
5 gas burners  
Rear left: 1750 W  
Cast iron pan stand  
Safety valves  
Frontal controls  
Standard burners  
Alluminium burners  
Stainless steel effect knobs

Voltage (V): 220-240 V  
Frequency (Hz): 50/60 Hz  
Electrical connection rating (W): 1 W

## PGF64-4

HOB, 60 CM, GAS, CLASSICA, STAINLESS STEEL

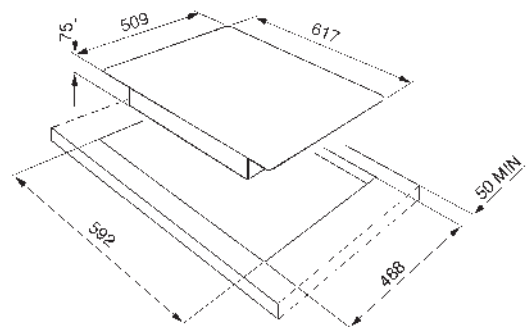
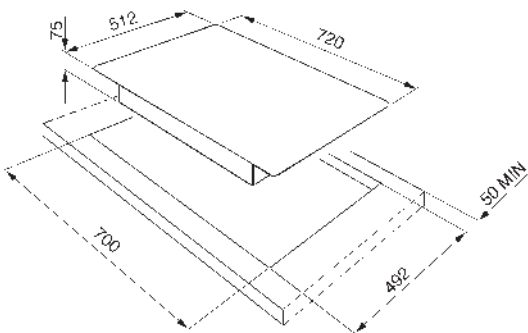


### PLUS:



Ultra-low profile installation  
4 gas burners  
Left: 3900 W  
Cast iron pan stand  
Safety valves  
Frontal controls  
Standard burners  
Alluminium burners  
Stainless steel effect knobs

Voltage (V): 220-240 V  
Frequency (Hz): 50/60 Hz  
Electrical connection rating (W): 1 W





## SE435X

HOB, 60 CM, ELECTRIC PLATES, CLASSICA,  
STAINLESS STEEL

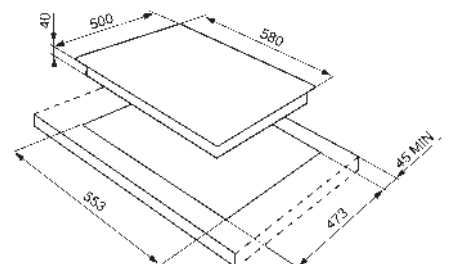


### PLUS:



Traditional Built-in  
4 electric plates cooking zones  
Rear left: 14.5, 1500 W  
Front right: 14.5, 1000 W  
Lateral controls  
Silver knobs

Voltage (V): 230-240 V / 380-415 V  
Frequency (Hz): 50/60 Hz  
Electrical connection rating (W): 6000 W



## SE775GH5

HOB, 70/75 CM, GAS, CLASSICA, STAINLESS STEEL



### PLUS:



Traditional Built-in  
5 gas burners  
Left: 3900 W  
Cast iron pan stand  
Safety valves  
Frontal controls  
Contemporanea smeg burners  
Alluminium burners  
Silver knobs

Voltage (V): 220-240 V  
Frequency (Hz): 50/60 Hz  
Electrical connection rating (W): 1 W

## SE70SGH-5

HOB, 70/75 CM, GAS, CLASSICA, STAINLESS STEEL

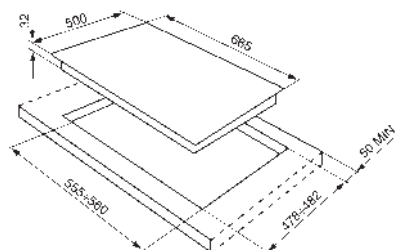
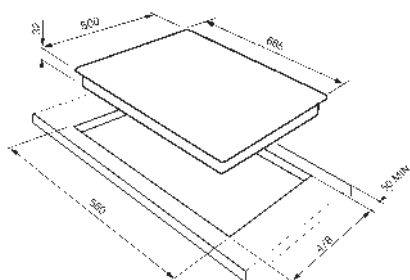


### PLUS:



Traditional Built-in  
5 gas burners  
Rear left: 2600 W  
Cast iron pan stand  
Safety valves  
Frontal controls  
Alluminium burners  
Stainless steel effect knobs

Voltage (V): 220-240 V  
Frequency (Hz): 50/60 Hz  
Electrical connection rating (W): 1 W





## SER60S3

HOB, 60 CM, GAS, CLASSICA, STAINLESS STEEL



### PLUS:



Traditional Built-in  
4 gas burners  
Left: 3900 W  
Enamelled  
Safety valves  
Frontal controls  
Silver knobs

Voltage (V): 220-240 V  
Frequency (Hz): 50/60 Hz  
Electrical connection rating (W): 1 W

## SER60SGH3

HOB, 60 CM, GAS, CLASSICA, STAINLESS STEEL

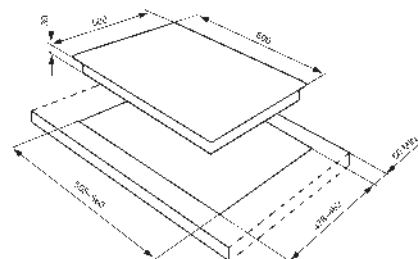


### PLUS:



Traditional Built-in  
4 gas burners  
Left: 3900 W  
Cast iron pan stand  
Safety valves  
Frontal controls  
Alluminium burners  
Stainless steel effect knobs

Voltage (V): 220-240 V  
Frequency (Hz): 50/60 Hz  
Electrical connection rating (W): 1 W





**PI964B**

HOB, 60 CM, INDUCTION, VICTORIA, WHITE



**PI964N**

HOB, 60 CM, INDUCTION, VICTORIA, BLACK



**PI964P**

HOB, 60 CM, INDUCTION, VICTORIA, CREAM



**PLUS:**

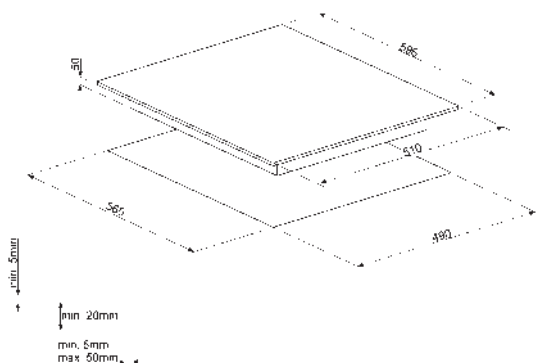


- Traditional Built-in
- 4 induction cooking zones
- 4 booster cooking zones
- 1st zone booster power: 3000 W
- Rear left: Ø 16.0, 1300 W, 1400 W
- 2nd zone booster power: 1400 W
- 3rd zone booster power: 3000 W
- Front right: Ø 16.0, 1300 W, 1400 W
- 4th zone booster power: 1400 W
- 9 power levels
- Automatic pan diameter adjustment
- Pan detection
- Automatic switch off when overheat
- Protection against accidental start up
- Frontal controls
- Controls lock/Child safety

Voltage (V): 220-240 V  
 Voltage 2 (V): 380-415 V  
 Frequency (Hz): 50/60 Hz  
 Current: 33 Amp  
 Electrical connection rating (W): 7400 W

**PI964X**

HOB, 60 CM, INDUCTION, VICTORIA, STAINLESS STEEL





## SR975BGH

HOB, 70/75 CM, GAS, VICTORIA, WHITE



### PLUS:



Traditional Built-in  
5 gas burners  
Rear left: 2600 W  
Cast iron pan stand  
Safety valves  
Frontal controls  
Contemporanea smeg burners  
Alluminium burners

Voltage (V): 220-240 V  
Frequency (Hz): 50/60 Hz  
Electrical connection rating (W): 1 W

## SR975NGH

HOB, 70/75 CM, GAS, VICTORIA, BLACK



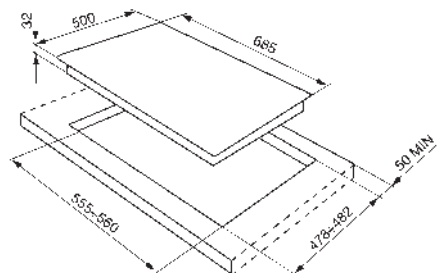
## SR975PGH

HOB, 70/75 CM, GAS, VICTORIA, CREAM



## SR975XGH

HOB, 70/75 CM, GAS, VICTORIA, STAINLESS STEEL





## SR964BGH

HOB, 60 CM, GAS, VICTORIA, WHITE



### PLUS:



Traditional Built-in  
4 gas burners  
Rear left: 3300 W  
Front right: 1700 W  
Cast iron pan stand  
Safety valves  
Frontal controls  
Contemporanea smeg burners  
Alluminium burners

Voltage (V): 220-240 V  
Frequency (Hz): 50/60 Hz  
Electrical connection rating (W): 1 W

## SR964NGH

HOB, 60 CM, GAS, VICTORIA, BLACK



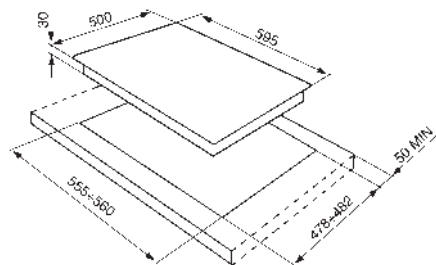
## SR964PGH

HOB, 60 CM, GAS, VICTORIA, CREAM



## SR964XGH

HOB, 60 CM, GAS, VICTORIA, STAINLESS STEEL



**PI764AO**

HOB, 60 CM, INDUCTION, CORTINA,  
ANTHRACITE, OLD BRASS FINISHING

**PI764BS**

HOB, 60 CM, INDUCTION, CORTINA,  
WHITE, OLD SILVER FINISHING

**PI764PO**

HOB, 60 CM, INDUCTION, CORTINA,  
CREAM, OLD BRASS FINISHING

**PLUS:**

## Traditional Built-in

4 induction cooking zones

4 booster cooking zones

1st zone booster power: 3000 W

Rear left: Ø 16.0, 1300 W, 1400 W

2nd zone booster power: 1400 W

3rd zone booster power: 3000 W

Front right: Ø 16.0, 1300 W, 1400 W

4th zone booster power: 1400 W

9 power levels

Automatic pan diameter adjustment

Pan detection

Automatic switch off when overheat

Protection against accidental start up

Frontal controls

Old brass knobs

Controls lock/Child safety

Anthracite frame

Voltage (V): 220-240 V

Voltage 2 (V): 380-415 V

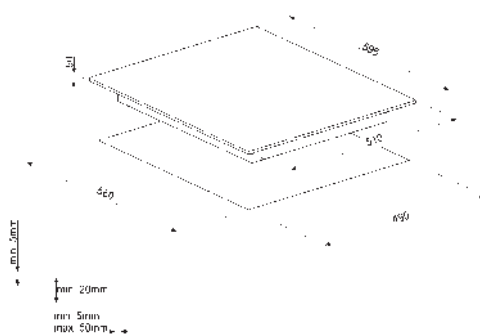
Frequency (Hz): 50/60 Hz

Current: 33 Amp

Electrical connection rating (W): 7400 W

**ACCESSORIES INCLUDED:**

Colonial knobs





## SR775PO

HOB, 70/75 CM, GAS, CORTINA, CREAM, OLD BRASS FINISHING

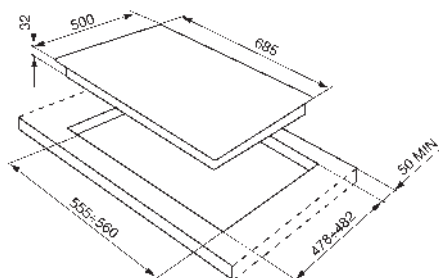


### PLUS:



Traditional Built-in  
5 gas burners  
Rear left: 2600 W  
Cast iron pan stand  
Safety valves  
Frontal controls  
Contemporanea smeg burners  
Alluminium burners  
Cream knobs

Voltage (V): 220-240 V  
Frequency (Hz): 50/60 Hz  
Electrical connection rating (W): 1 W



**SR775AO**

HOB, 70/75 CM, GAS, CORTINA,  
ANTHRACITE, OLD BRASS FINISHING



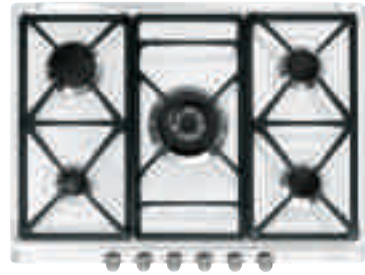
**SR775AS**

HOB, 70/75 CM, GAS, CORTINA,  
ANTHRACITE, OLD SILVER FINISHING



**SR775BS**

HOB, 70/75 CM, GAS, CORTINA,  
WHITE, OLD SILVER FINISHING



**SR775OT**

HOB, 70/75 CM, GAS, CORTINA,  
BRASS FINISHING



**SR775PS**

HOB, 70/75 CM, GAS, CORTINA,  
CREAM, OLD SILVER FINISHING



**SR775PX**

HOB, 70/75 CM, GAS, CORTINA,  
CREAM, SILVER FINISHING



**SR775RA**

HOB, 70/75 CM, GAS, CORTINA,  
COPPER, COPPER FINISHING



## SR764AO

HOB, 60 CM, GAS, CORTINA,  
ANTHRACITE, OLD BRASS FINISHING

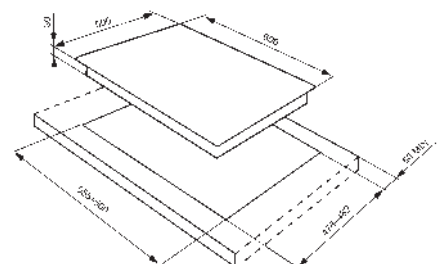


### PLUS:



Traditional Built-in  
4 gas burners  
Left: 3900 W  
Cast iron pan stand  
Safety valves  
Frontal controls  
Contemporanea smeg burners  
Alluminium burners  
Black knobs

Voltage (V): 220-240 V  
Frequency (Hz): 50/60 Hz  
Electrical connection rating (W): 1 W



### SR764AS

HOB, 60 CM, GAS, CORTINA,  
ANTHRACITE, OLD SILVER FINISHING



### SR764BS

HOB, 60 CM, GAS, CORTINA, WHITE,  
OLD SILVER FINISHING



### SR764OT

HOB, 60 CM, GAS, CORTINA, BRASS  
FINISHING



### SR764PO

HOB, 60 CM, GAS, CORTINA, CREAM,  
OLD BRASS FINISHING



### SR764PS

HOB, 60 CM, GAS, CORTINA, CREAM,  
OLD SILVER FINISHING



### SR764RA

HOB, 60 CM, GAS, CORTINA, COPPER,  
COPPER FINISHING



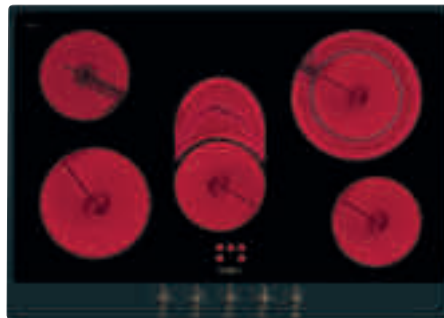
## P875PO

HOB, 70/75 CM, CERAMIC, COLONIALE, CREAM,  
OLD BRASS FINISHING



## P875AO

HOB, 70/75 CM, CERAMIC, COLONIALE,  
ANTHRACITE, OLD BRASS FINISHING



### PLUS:



Traditional Built-in  
5 ceramic cooking zones  
Rear left: Ø 14.0, 1200 W  
6 power levels  
Automatic switch off when overheat  
Frontal controls  
Old brass knobs  
Cream frame

Voltage (V): 220-240 V  
Voltage 2 (V): 380-415 V  
Frequency (Hz): 50/60 Hz  
Current: 38 Amp  
Electrical connection rating (W): 8600 W



## P864PO

HOB, 60 CM, CERAMIC, COLONIALE,  
CREAM, OLD BRASS FINISHING



### PLUS:



Traditional Built-in  
4 ceramic cooking zones  
Rear left: Ø 14.0, 1200 W  
Front right: Ø 14.0, 1200 W  
Protection against accidental start up  
Frontal controls  
Old brass knobs  
Cream frame

Voltage (V): 220-240 V  
Voltage 2 (V): 380-415 V  
Frequency (Hz): 50/60 Hz  
Current: 30 Amp  
Electrical connection rating (W): 6800 W

## P864AO

HOB, 60 CM, CERAMIC, COLONIALE,  
ANTHRACITE, OLD BRASS FINISHING



### P272XGH

HOB, 70/75 CM, GAS, SELEZIONE, STAINLESS STEEL



**PLUS:**



Traditional Built-in  
5 gas burners  
Rear left: 2600 W  
Cast iron pan stand  
Safety valves  
Frontal controls  
Contemporanea smeg burners  
Alluminium burners  
Silver knobs

Voltage (V): 220-240 V  
Frequency (Hz): 50/60 Hz  
Electrical connection rating (W): 1 W

### P261XGH

HOB, 60 CM, GAS, SELEZIONE, STAINLESS STEEL

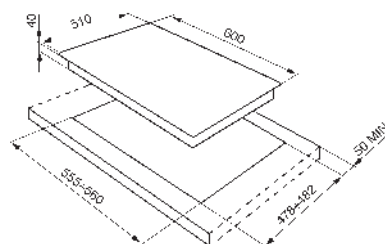
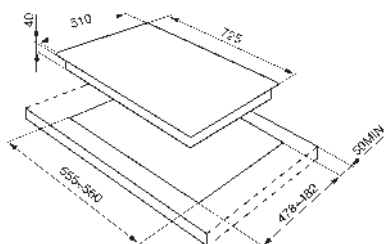


**PLUS:**



Traditional Built-in  
4 gas burners  
Left: 3500 W  
Cast iron pan stand  
Safety valves  
Frontal controls  
Contemporanea smeg burners  
Alluminium burners  
Silver knobs

Voltage (V): 220-240 V  
Frequency (Hz): 50/60 Hz  
Electrical connection rating (W): 1 W





### P260XGH

HOB, 60 CM, GAS, SELEZIONE, STAINLESS STEEL



**PLUS:**



Traditional Built-in  
 4 gas burners  
 Left: 3100 W  
 Cast iron pan stand  
 Safety valves  
 Frontal controls  
 Contemporanea smeg burners  
 Aluminium burners  
 Silver knobs  
  
 Voltage (V): 220-240 V  
 Frequency (Hz): 50/60 Hz  
 Electrical connection rating (W): 1 W

### SE435S

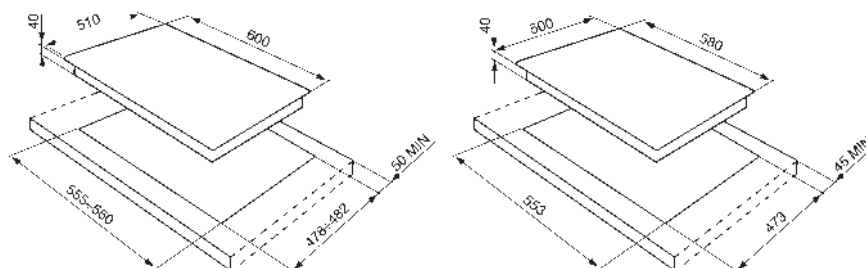
HOB, 60 CM, ELECTRIC PLATES, SELEZIONE, STAINLESS STEEL



**PLUS:**



Traditional Built-in  
 4 electric plates cooking zones  
 Rear left: Ø 14.5, 1500  
 Front right: Ø 14.5, 1000  
 6 power levels  
 Lateral controls  
 Silver knobs  
  
 Voltage (V): 220-240 V  
 Voltage 2 (V): 380-415 V  
 Frequency (Hz): 50/60 Hz  
 Electrical connection rating (W): 6000 W



### SR264XGH

HOB, 60 CM, GAS, SELEZIONE, STAINLESS STEEL



**PLUS:**

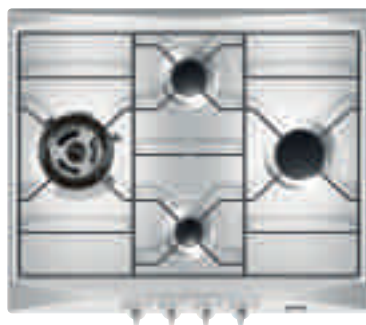


Traditional Built-in  
4 gas burners  
Left: 3900 W  
Cast iron pan stand  
Safety valves  
Frontal controls  
Contemporanea smeg burners  
Alluminium burners  
Silver knobs

Voltage (V): 220-240 V  
Frequency (Hz): 50/60 Hz  
Electrical connection rating (W): 1 W

### SR264X

HOB, 60 CM, GAS, SELEZIONE, STAINLESS STEEL



**PLUS:**



Traditional Built-in  
4 gas burners  
Left: 3900 W  
Enamelled  
Safety valves  
Frontal controls  
Contemporanea smeg burners  
Alluminium burners  
Silver knobs

Voltage (V): 220-240 V  
Frequency (Hz): 50/60 Hz  
Electrical connection rating (W): 1 W

### S60GHS

HOB, 60 CM, GAS, SELEZIONE, STAINLESS STEEL

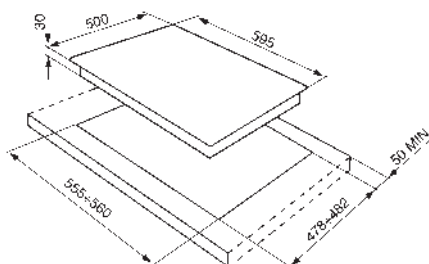


**PLUS:**

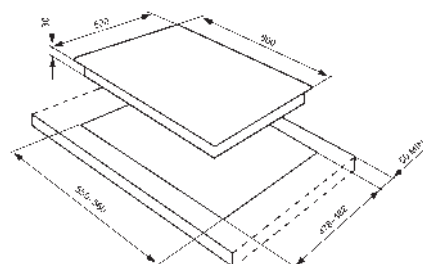


Traditional Built-in  
4 gas burners  
Left: 3100 W  
Cast iron pan stand  
Safety valves  
Frontal controls  
Contemporanea smeg burners  
Alluminium burners  
Silver knobs

Voltage (V): 220-240 V  
Frequency (Hz): 50/60 Hz  
Electrical connection rating (W): 1 W



SR264XGH  
SR264X



## S64S

HOB, 60 CM, GAS, SELEZIONE, STAINLESS STEEL



### PLUS:



Traditional Built-in  
4 gas burners  
Rear left: 1800 W  
Front right: 1100 W  
Enamelled  
Safety valves  
Lateral controls  
Contemporanea smeg burners  
Alluminium burners  
Silver knobs

Voltage (V): 220-240 V  
Frequency (Hz): 50/60 Hz  
Electrical connection rating (W): 1 W

## S264X

HOB, 60 CM, GAS, SELEZIONE, STAINLESS STEEL

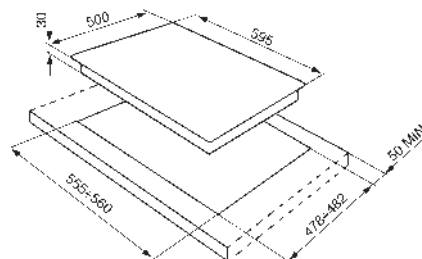
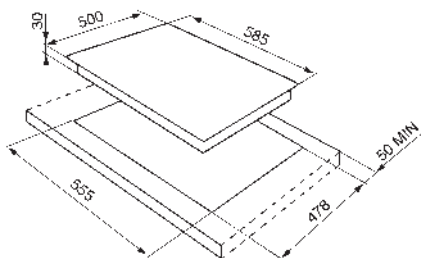


### PLUS:



Traditional Built-in  
4 gas burners  
Left: 3100 W  
Enamelled  
Safety valves  
Frontal controls  
Contemporanea smeg burners  
Alluminium burners  
Silver knobs

Voltage (V): 220-240 V  
Frequency (Hz): 50/60 Hz  
Electrical connection rating (W): 1 W



## SE364ETBM

HOB, 60 CM, CERAMIC, CLASSICA, BLACK



### PLUS:

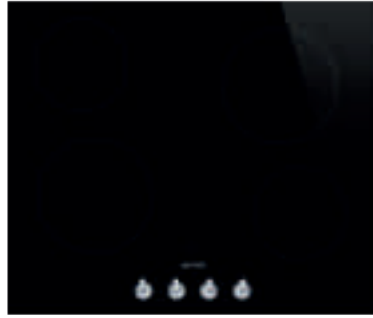


Ultra-low profile installation  
4 ceramic cooking zones  
Rear left: Ø 14.8, 1200 W  
Front right: Ø 14.8, 1200 W  
Automatic switch off when overheat  
Ceramic glass  
Bevelled edge  
Frontal controls  
Stainless steel effect knobs

Voltage (V): 220-240 V  
Voltage 2 (V): 380-415 V  
Frequency (Hz): 50/60 Hz  
Current: 28 Amp  
Electrical connection rating (W): 6400 W

## SE364TDM

HOB, 60 CM, CERAMIC, SELEZIONE, BLACK

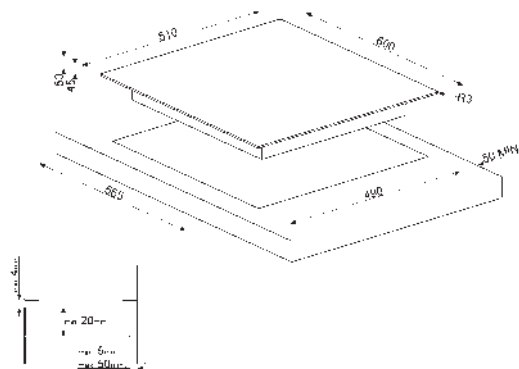
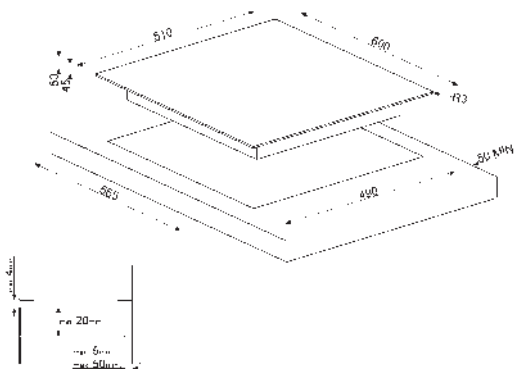


### PLUS:



Ultra-low profile or Fully Flushed installation  
4 ceramic cooking zones  
Rear left: Ø 14.8, 1200 W  
Front right: Ø 14.8, 1200 W  
6 power levels  
Automatic switch off when overheat  
Ceramic glass  
Straight edge  
Frontal controls  
Silver knobs

Voltage (V): 220-240 V  
Voltage 2 (V): 380-415 V  
Frequency (Hz): 50/60 Hz  
Current: 26 Amp  
Electrical connection rating (W): 6000 W



## SRV596GH5

HOB, 90 CM, GAS, CONTEMPORANEA, STAINLESS STEEL



### PLUS:



Traditional Built-in  
5 gas burners  
Rear left: 3100 W  
Cast iron pan stand  
Safety valves  
Frontal controls  
Alluminium burners  
Silver knobs

Voltage (V): 220-240 V  
Frequency (Hz): 50/60 Hz  
Electrical connection rating (W): 1 W

## SRV596-5

HOB, 90 CM, GAS, CONTEMPORANEA, STAINLESS STEEL

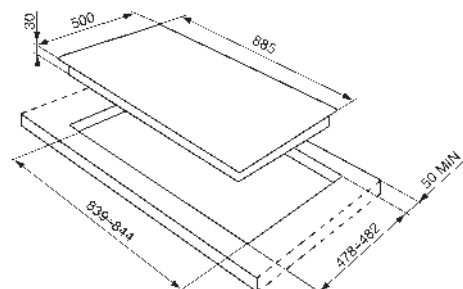


### PLUS:



Traditional Built-in  
5 gas burners  
Rear left: 3100 W  
Enamelled  
Safety valves  
Frontal controls  
Silver knobs

Voltage (V): 220-240 V  
Frequency (Hz): 50/60 Hz  
Electrical connection rating (W): 1 W





## SRV575GH5

HOB, 70/75 CM, GAS, CONTEMPORANEA,  
STAINLESS STEEL



### PLUS:



Traditional Built-in  
5 gas burners  
Left: 5000 W  
Cast iron pan stand  
Safety valves  
Frontal controls  
Silver knobs

Voltage (V): 220-240 V  
Frequency (Hz): 50/60 Hz  
Electrical connection rating (W): 1 W

## SRV573XG

HOB, 70/75 CM, GAS, CONTEMPORANEA,  
STAINLESS STEEL

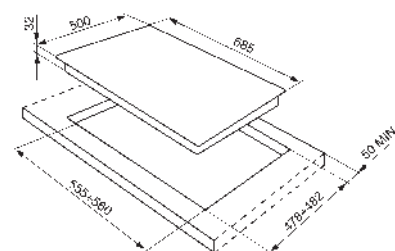


### PLUS:



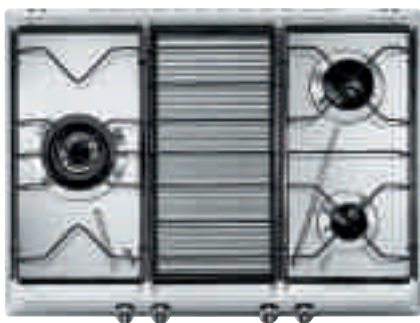
Traditional Built-in  
3 gas burners  
Left: 5000 W  
Cast iron pan stand  
Safety valves  
Frontal controls  
Stainless steel effect knobs

Voltage (V): 220-240 V  
Frequency (Hz): 50/60 Hz  
Electrical connection rating (W): 1 W



## SRV573X-5

HOB, 70/75 CM, GAS, CONTEMPORANEA,  
STAINLESS STEEL



### PLUS:

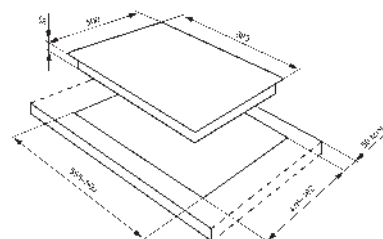


Traditional Built-in  
3 gas burners  
Left: 5000 W  
Enamelled  
Safety valves  
Frontal controls  
Stainless steel effect knobs

Voltage (V): 220-240 V  
Frequency (Hz): 50/60 Hz  
Electrical connection rating (W): 1 W

## SRV572XG

HOB, 70/75 CM, GAS, CONTEMPORANEA,  
STAINLESS STEEL



**SRV572X-5**  
Stainless steel,  
Contemporanea,  
Stainless steel

### SRV564-3

HOB, 60 CM, GAS, CONTEMPORANEA,  
STAINLESS STEEL



**PLUS:**



Traditional Built-in  
4 gas burners  
Rear left: 3300 W  
Front right: 1700 W  
Enamelled  
Safety valves  
Frontal controls  
Silver knobs

Voltage (V): 220-240 V  
Frequency (Hz): 50/60 Hz  
Electrical connection rating (W): 1 W

### SV564-3

HOB, 60 CM, GAS, CONTEMPORANEA,  
STAINLESS STEEL

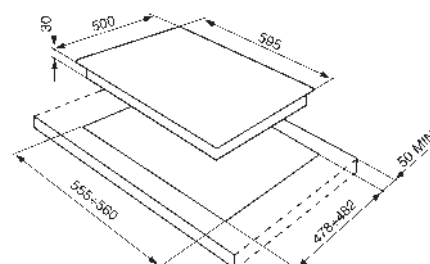


**PLUS:**



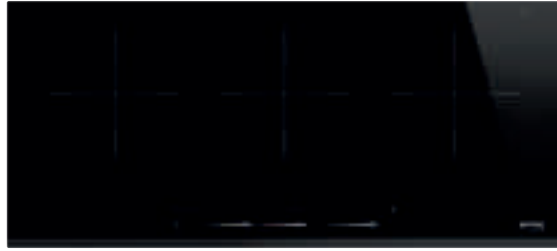
Traditional Built-in  
4 gas burners  
Rear left: 3100 W  
Front right: 1700 W  
Enamelled  
Safety valves  
Frontal controls  
Silver knobs

Voltage (V): 220-240 V  
Frequency (Hz): 50/60 Hz  
Electrical connection rating (W): 1 W

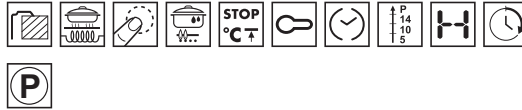


## SIH7933B

HOB, 90 CM, INDUCTION, BLACK

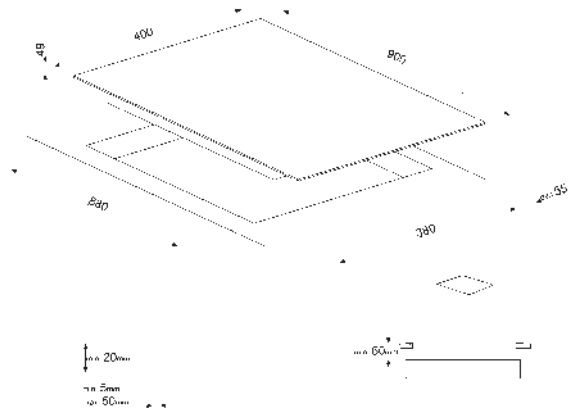


### PLUS:



- Ultra-low profile installation
- 3 induction cooking zones
- 3 booster cooking zones
- 1st zone booster power: 3200
- 2nd zone booster power: 3200
- 3rd zone booster power: 3200
- 15 power levels
- Levels quick setting
- Automatic pan diameter adjustment
- Pan detection
- Automatic switch off when overheat
- Automatic switch off when overflow
- Ceramic glass
- Frontal controls
- Controls lock/Child safety

Voltage (V): 220-240 V  
Voltage 2 (V): 400 V  
Frequency (Hz): 50/60 Hz  
Electrical connection rating (W): 6800 W



## SI5952B

HOB, 90 CM, INDUCTION, BLACK

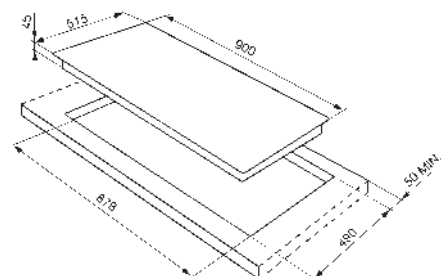


### PLUS:



Ultra-low profile installation  
5 induction cooking zones  
5 booster cooking zones  
1st zone booster power: 2200 W  
Rear left: Ø 18.0, 1850 W, 3000 W  
2nd zone booster power: 3000 W  
3rd zone booster power: 3700 W  
4th zone booster power: 3700 W  
5th zone booster power: 2200 W  
9 power levels  
Simmering function  
Melting/low temperature cooking function  
Automatic pan diameter adjustment  
Pan detection  
Automatic switch off when overheat  
Automatic switch off when overflow  
Protection against accidental start up  
Ceramic glass  
Bevelled edge  
Frontal controls  
Controls lock/Child safety

Voltage (V): 220-240 V  
Voltage 2 (V): 380-415 V  
Frequency (Hz): 50/60 Hz  
Current: 33 Amp  
Electrical connection rating (W): 7400 W



**SI1M7733B**

HOB, 70 CM, INDUCTION, BLACK



**PLUS:**



- Ultra-low profile installation
- 3 induction cooking zones
- 3 booster cooking zones
- 1st zone booster power: 3200
- Rear left: Ø 21, 2300, 3200
- 2nd zone booster power: 3200
- 3rd zone booster power: 3500/3600
- 15 power levels
- Levels quick setting
- Automatic pan diameter adjustment
- Pan detection
- Automatic switch off when overheat
- Automatic switch off when overflow
- Ceramic glass
- Frontal controls
- Controls lock/Child safety

Voltage (V): 220-240 V  
 Voltage 2 (V): 400 V  
 Frequency (Hz): 50/60 Hz  
 Electrical connection rating (W): 7200 W

**SI1M7743B**

HOB, 70 CM, INDUCTION, MULTIZONE OPTION, BLACK

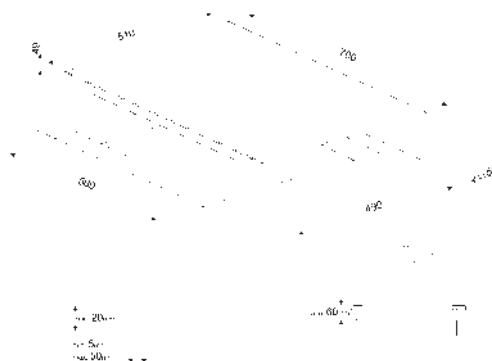
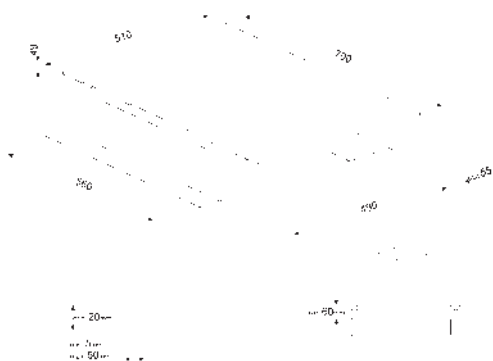


**PLUS:**



- Ultra-low profile installation
- 4 induction cooking zones
- 4 booster cooking zones
- 1st zone booster power: 3200
- Rear left: Ø 21, 2300, 3200
- 2nd zone booster power: 3200
- 3rd zone booster power: 2500
- 4th zone booster power: 2800
- 15 power levels
- Levels quick setting
- Automatic pan diameter adjustment
- Pan detection
- Automatic switch off when overheat
- Automatic switch off when overflow
- Ceramic glass
- Frontal controls
- Controls lock/Child safety

Voltage (V): 220-240 V  
 Voltage 2 (V): 400 V  
 Frequency (Hz): 50/60 Hz  
 Electrical connection rating (W): 7200 W

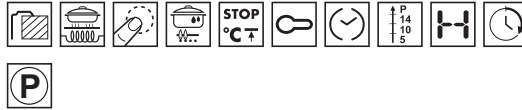


# SI1F7845B

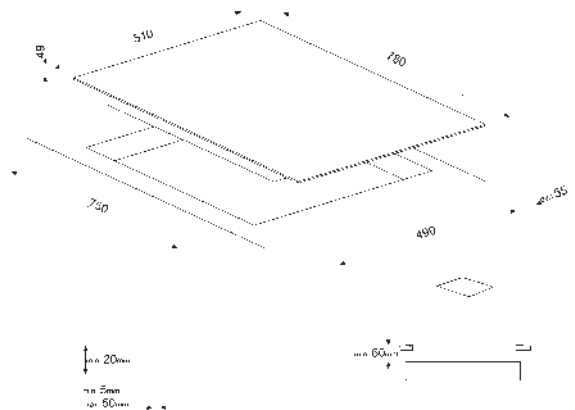
HOB, INDUCTION, BLACK



**PLUS:**



- Ultra-low profile installation
  - 4 induction cooking zones
  - 4 booster cooking zones
  - 1st zone booster power: 3200
  - Rear left: Ø 22, 2300, 3200
  - 2nd zone booster power: 3200
  - 3rd zone booster power: 2800
  - 4th zone booster power: 3200
  - 15 power levels
  - Levels quick setting
  - Automatic pan diameter adjustment
  - Pan detection
  - Automatic switch off when overheat
  - Automatic switch off when overflow
  - Ceramic glass
  - Frontal controls
  - Controls lock/Child safety
- Voltage (V): 220-240 V  
Voltage 2 (V): 400 V  
Frequency (Hz): 50/60 Hz  
Electrical connection rating (W): 7200 W



## SI2M7953D

HOB, 90 CM, INDUCTION, MULTIZONE OPTION, BLACK

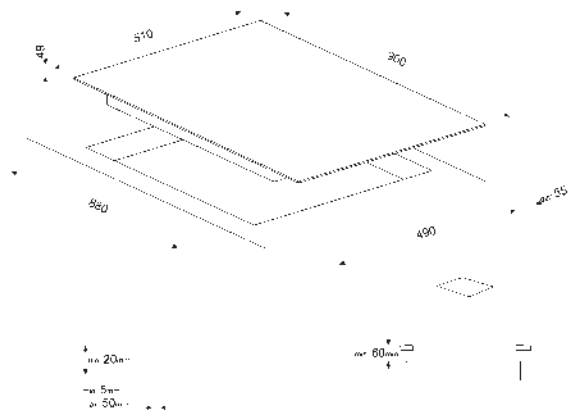


### PLUS:



Ultra-low profile or Fully Flushed installation  
5 induction cooking zones  
5 booster cooking zones  
1st zone booster power: 3200  
Rear left: Ø 21, 2300, 3200  
2nd zone booster power: 3200  
3rd zone booster power: 3500/3700  
Front right: Ø 21, 2300, 3200  
4th zone booster power: 3200  
Rear right: Ø 21, 2300, 3200  
5th zone booster power: 3200  
15 power levels  
Levels quick setting  
Automatic pan diameter adjustment  
Pan detection  
Automatic switch off when overheat  
Automatic switch off when overflow  
Ceramic glass  
Straight edge  
Frontal controls  
Controls lock/Child safety

Voltage (V): 220-240 V  
Voltage 2 (V): 400 V  
Frequency (Hz): 50/60 Hz  
Electrical connection rating (W): 7350 W





### SI2M7643B

HOB, 60 CM, INDUCTION, MULTIZONE OPTION, BLACK



### SI2M7643D

HOB, 60 CM, INDUCTION, MULTIZONE OPTION, BLACK

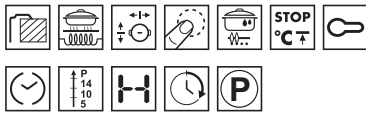


### SI2M7643FX

HOB, 60 CM, INDUCTION, MULTIZONE OPTION, BLACK

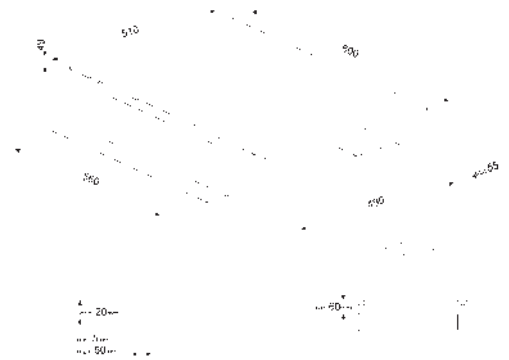


**PLUS:**



- Ultra-low profile installation
- 4 induction cooking zones
- 4 booster cooking zones
- 1st zone booster power: 3200
- Rear left: Ø 21, 2300, 3200
- 2nd zone booster power: 3200
- 3rd zone booster power: 3200
- 4th zone booster power: 3200
- 15 power levels
- Left Multizone dimension: 392x195 mm
- Right Multizone dimension: 392x195 mm
- Levels quick setting
- Automatic pan diameter adjustment
- Pan detection
- Automatic switch off when overheat
- Automatic switch off when overflow
- Ceramic glass
- Frontal controls
- Controls lock/Child safety

Voltage (V): 220-240 V  
 Voltage 2 (V): 400 V  
 Frequency (Hz): 50/60 Hz  
 Electrical connection rating (W): 7200 W



## SI7844B

HOB, 78 CM, INDUCTION, BLACK



**PLUS:**



- Ultra-low profile installation
- 4 induction cooking zones
- 4 booster cooking zones
- 1st zone booster power: 3200
- Rear left: Ø 21, 2300, 3200
- 2nd zone booster power: 3200
- 3rd zone booster power: 3200
- 4th zone booster power: 3200
- 15 power levels
- Levels quick setting
- Automatic pan diameter adjustment
- Pan detection
- Automatic switch off when overheat
- Automatic switch off when overflow
- Ceramic glass
- Frontal controls
- Controls lock/Child safety

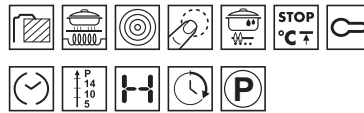
Voltage (V): 220-240 V  
 Voltage 2 (V): 400 V  
 Frequency (Hz): 50/60 Hz  
 Electrical connection rating (W): 7200 W

## SI7633B

HOB, 60 CM, INDUCTION, BLACK

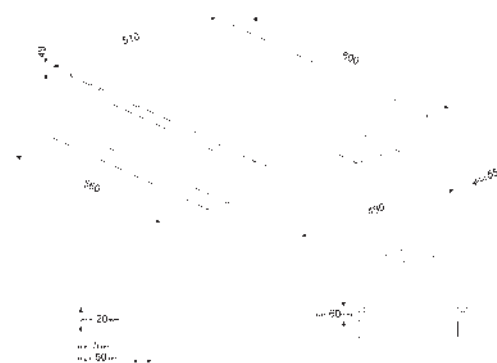
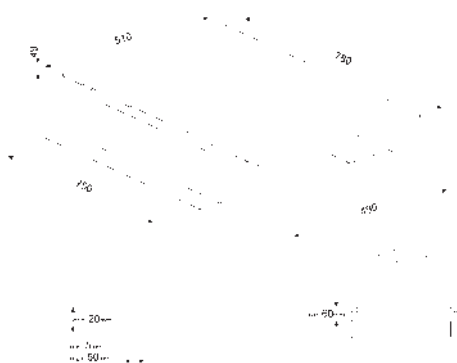


**PLUS:**



- Ultra-low profile installation
- 3 induction cooking zones
- 3 booster cooking zones
- 1st zone booster power: 3700
- Rear left: Ø 14.5, 1400, 2500
- 2nd zone booster power: 2500
- 3rd zone booster power: 3500/5200
- 15 power levels
- Levels quick setting
- Automatic pan diameter adjustment
- Pan detection
- Automatic switch off when overheat
- Automatic switch off when overflow
- Ceramic glass
- Frontal controls
- Controls lock/Child safety

Voltage (V): 220-240 V  
 Frequency (Hz): 50/60 Hz  
 Electrical connection rating (W): 7350 W

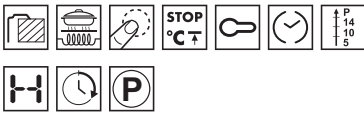


## SI5643B

HOB, 60 CM, INDUCTION, BLACK



### PLUS:



Ultra-low profile installation  
 4 induction cooking zones  
 4 booster cooking zones  
 1st zone booster power: 3000 W  
 Rear left: Ø 16.0, 1300 W, 1400 W  
 2nd zone booster power: 1400 W  
 3rd zone booster power: 3000 W  
 Front right: Ø 16.0, 1300 W, 1400 W  
 4th zone booster power: 1400 W  
 9 power levels  
 Levels quick setting  
 Automatic pan diameter adjustment  
 Pan detection  
 Automatic switch off when overheat  
 Protection against accidental start up  
 Ceramic glass  
 Bevelled edge  
 Frontal controls  
 Controls lock/Child safety

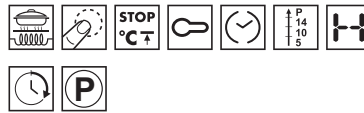
Voltage (V): 220-240 V  
 Voltage 2 (V): 380-415 V  
 Frequency (Hz): 50/60 Hz  
 Current: 33 Amp  
 Electrical connection rating (W): 7400 W

## SI5643D

HOB, 60 CM, INDUCTION, BLACK



### PLUS:



Ultra-low profile or Fully Flushed installation  
 4 induction cooking zones  
 4 booster cooking zones  
 1st zone booster power: 3000 W  
 Rear left: Ø 16.0, 1300 W, 1400 W  
 2nd zone booster power: 1400 W  
 3rd zone booster power: 3000 W  
 Front right: Ø 16.0, 1300 W, 1400 W  
 4th zone booster power: 1400 W  
 9 power levels  
 Levels quick setting  
 Automatic pan diameter adjustment  
 Pan detection  
 Automatic switch off when overheat  
 Protection against accidental start up  
 Ceramic glass  
 Straight edge  
 Frontal controls  
 Controls lock/Child safety

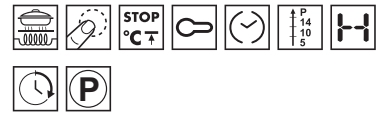
Voltage (V): 220-240 V  
 Voltage 2 (V): 380-415 V  
 Frequency (Hz): 50/60 Hz  
 Current: 33 Amp  
 Electrical connection rating (W): 7400 W

## SI5642D

HOB, 60 CM, INDUCTION, BLACK

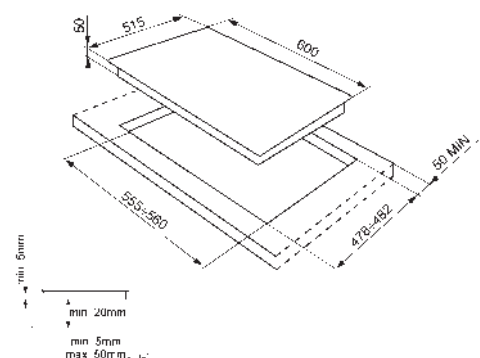


### PLUS:



Ultra-low profile or Fully Flushed installation  
 4 induction cooking zones  
 4 booster cooking zones  
 Front right: 1300 W  
 Booster (P): 1400 W  
 Rear right: 2300 W  
 Booster (P): 3000 W  
 Rear left: 1300 W  
 Booster (P): 1400 W  
 Front left: 2300 W  
 Booster (P): 3000 W  
 9 power levels  
 Levels quick setting  
 Automatic pan diameter adjustment  
 Pan detection  
 Automatic switch off when overheat  
 Protection against accidental start up  
 Ceramic glass  
 Straight edge  
 Frontal controls  
 Controls lock/Child safety

Voltage (V): 220-240 V  
 Voltage 2 (V): 380-415 V  
 Frequency (Hz): 50/60 Hz  
 Current: 33 Amp  
 Electrical connection rating (W): 7400 W



## SI5741D

HOB, 70/75 CM, INDUCTION, BLACK

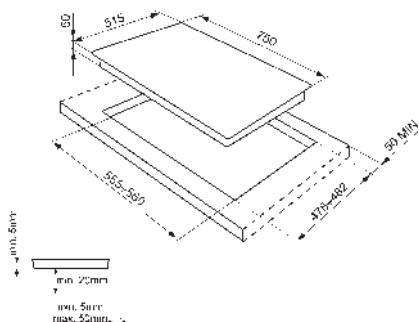


**PLUS:**



- Ultra-low profile or Fully Flushed installation
- 4 induction cooking zones
- 4 booster cooking zones
- 1st zone booster power: 3000 W
- Rear left: Ø 16.0, 1300, 1400
- 2nd zone booster power: 1400
- 3rd zone booster power: 3000 W
- Front right: Ø 16.0, 1300, 1400
- 4th zone booster power: 1400
- 9 power levels
- Levels quick setting
- Automatic pan diameter adjustment
- Pan detection
- Automatic switch off when overheat
- Protection against accidental start up
- Ceramic glass
- Straight edge
- Frontal controls
- Controls lock/Child safety

Voltage (V): 220-240 V  
 Voltage 2 (V): 380-415 V  
 Frequency (Hz): 50/60 Hz  
 Current: 33 Amp  
 Electrical connection rating (W): 7400 W



## SI1F7645B

HOB, 60 CM, INDUCTION, BLACK

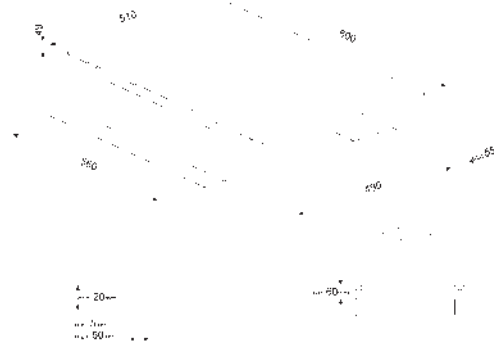


**PLUS:**



- Ultra-low profile installation
- 3 induction cooking zones
- 3 booster cooking zones
- 1st zone booster power: 3200
- Rear left: Ø 22, 2300, 3200
- 2nd zone booster power: 3200
- 3rd zone booster power: 2500
- 15 power levels
- Levels quick setting
- Automatic pan diameter adjustment
- Pan detection
- Automatic switch off when overheat
- Automatic switch off when overflow
- Ceramic glass
- Frontal controls
- Controls lock/Child safety

Voltage (V): 220-240 V  
 Voltage 2 (V): 400 V  
 Frequency (Hz): 50/60 Hz  
 Electrical connection rating (W): 7200 W



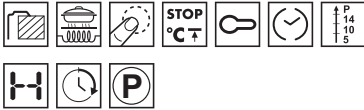


### SI5641B

HOB, 60 CM, INDUCTION, BLACK



**PLUS:**



Ultra-low profile installation  
 4 induction cooking zones  
 2 booster cooking zones  
 Booster (P): 2100 W  
 Rear left: Ø 18.0, 1400 W  
 3rd zone booster power: 2100 W  
 Front right: Ø 18.0, 1400 W  
 Booster (P): 2100 W  
 9 power levels  
 Levels quick setting  
 Automatic pan diameter adjustment  
 Pan detection  
 Automatic switch off when overheat  
 Protection against accidental start up  
 Ceramic glass  
 Bevelled edge  
 Frontal controls  
 Controls lock/Child safety

Voltage (V): 220-240 V  
 Voltage 2 (V): 380-415 V  
 Frequency (Hz): 50/60 Hz  
 Current: 32 Amp  
 Electrical connection rating (W): 7200 W

### SI5641D

HOB, 60 CM, INDUCTION, BLACK



**PLUS:**



Ultra-low profile or Fully Flushed installation  
 4 induction cooking zones  
 2 booster cooking zones  
 1st zone booster power: 2100 W  
 Rear left: Ø 18.0, 1400 W  
 3rd zone booster power: 2100 W  
 Front right: Ø 18.0, 1400 W  
 9 power levels  
 Levels quick setting  
 Automatic pan diameter adjustment  
 Pan detection  
 Automatic switch off when overheat  
 Protection against accidental start up  
 Ceramic glass  
 Straight edge  
 Frontal controls  
 Controls lock/Child safety

Voltage (V): 220-240 V  
 Voltage 2 (V): 380-415 V  
 Frequency (Hz): 50/60 Hz  
 Current: 32 Amp  
 Electrical connection rating (W): 7200 W

### SI5631D

HOB, 60 CM, INDUCTION, BLACK

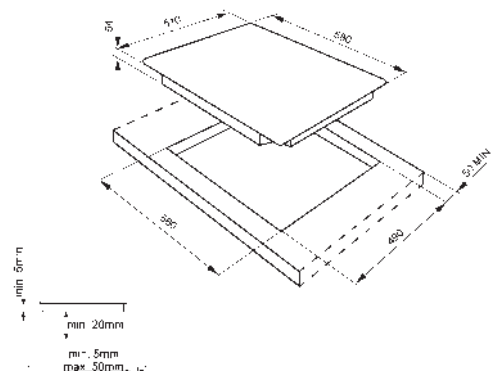


**PLUS:**



Ultra-low profile or Fully Flushed installation  
 3 induction cooking zones  
 1 booster cooking zone  
 Rear left: Ø 18.0, 1800 W  
 3rd zone booster power: 2500 W  
 9 power levels  
 Automatic pan diameter adjustment  
 Pan detection  
 Automatic switch off when overheat  
 Automatic switch off when overflow  
 Protection against accidental start up  
 Ceramic glass  
 Straight edge  
 Frontal controls  
 Controls lock/Child safety

Voltage (V): 220 - 240 V  
 Voltage 2 (V): 380-415 V  
 Frequency (Hz): 50/60 Hz  
 Current (A): 28,3 A  
 Electrical connection rating (W): 6500 W



## SI3842B

HOB, 80 CM, INDUCTION, BLACK

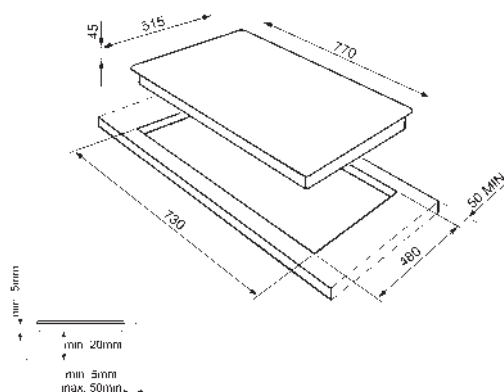


### PLUS:



- Ultra-low profile installation
- 4 induction cooking zones
- 4 booster cooking zones
- 1st zone booster power: 3700 W
- Rear left: Ø 14.5, 1400 W, 2200 W
- 2nd zone booster power: 2200 W
- 3rd zone booster power: 3000 W
- Front right: Ø 18.0, 1800 W, 3000 W
- 4th zone booster power: 3000 W
- 9 power levels
- Twin zone option
- Automatic pan diameter adjustment
- Pan detection
- Automatic switch off when overheat
- Automatic switch off when overflow
- Protection against accidental start up
- Ceramic glass
- Bevelled edge
- Frontal controls
- Controls lock/Child safety

- Voltage (V): 220-240 V
- Voltage 2 (V): 380-415 V
- Frequency (Hz): 50/60 Hz
- Current: 33 Amp
- Electrical connection rating (W): 7400 W

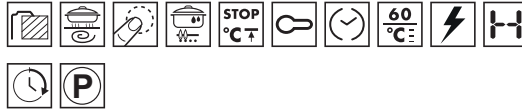


## SE395ETB

HOB, 90 CM, CERAMIC, BLACK

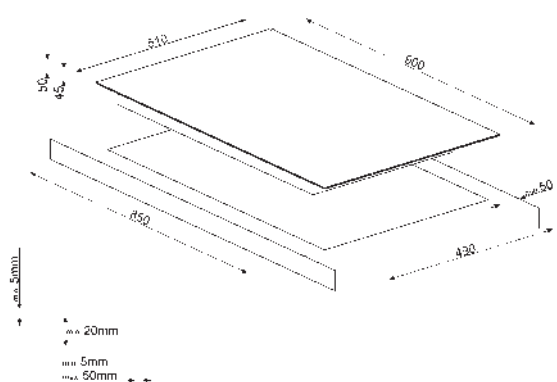


### PLUS:



Ultra-low profile installation  
5 ceramic cooking zones  
5 booster cooking zones  
Rear left: Ø 14.8, 1200 W  
9 power levels  
Automatic switch off when overheat  
Automatic switch off when overflow  
Ceramic glass  
Bevelled edge  
Frontal controls  
Controls lock/Child safety

Voltage (V): 220-240 V  
Voltage 2 (V): 380-415 V  
Frequency (Hz): 50/60 Hz  
Current: 40 Amp  
Electrical connection rating (W): 9100 W





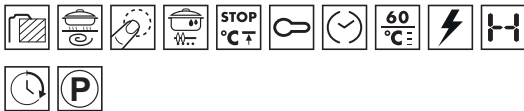


## SE385EMTB

HOB, 80 CM, CERAMIC, BLACK



### PLUS:



Ultra-low profile installation  
 5 ceramic cooking zones  
 5 booster cooking zones  
 Rear left: Ø 14.8, 1200 W  
 Front right: Ø 14.8 - Ø 21.4, 1000 - 2200 W  
 9 power levels  
 Automatic switch off when overheat  
 Automatic switch off when overflow  
 Ceramic glass  
 Bevelled edge  
 Frontal controls  
 Controls lock/Child safety

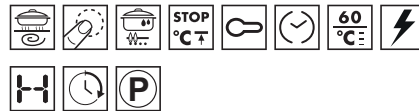
Voltage (V): 220-240 V  
 Voltage 2 (V): 380-415 V  
 Frequency (Hz): 50/60 Hz  
 Current: 38 Amp  
 Electrical connection rating (W): 8600 W

## SE384EMTD

HOB, 80 CM, CERAMIC, BLACK

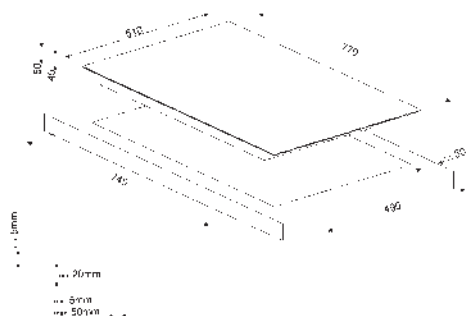


### PLUS:



Ultra-low profile or Fully Flushed installation  
 4 ceramic cooking zones  
 4 booster cooking zones  
 Rear left: Ø 14.8, 1200 W  
 Front right: Ø 18.4, 1800 W  
 9 power levels  
 Automatic switch off when overheat  
 Automatic switch off when overflow  
 Ceramic glass  
 Straight edge  
 Frontal controls  
 Controls lock/Child safety

Voltage (V): 220-240 V  
 Voltage 2 (V): 380-415 V  
 Frequency (Hz): 50/60 Hz  
 Current: 33 Amp  
 Electrical connection rating (W): 7400 W



## SE364EMTB

HOB, 60 CM, CERAMIC, BLACK



### PLUS:



Ultra-low profile installation  
4 ceramic cooking zones  
4 booster cooking zones  
Rear left: Ø 14.8, 1200 W  
Front right: Ø 14.8, 1200 W  
9 power levels  
Automatic switch off when overheat  
Automatic switch off when overflow  
Ceramic glass  
Bevelled edge  
Frontal controls  
Controls lock/Child safety

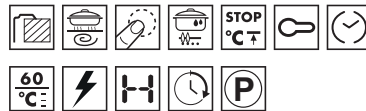
Voltage (V): 220-240 V  
Voltage 2 (V): 380-415 V  
Frequency (Hz): 50/60 Hz  
Current: 28 Amp  
Electrical connection rating (W): 6400 W

## SE363ETB

HOB, 60 CM, CERAMIC, BLACK

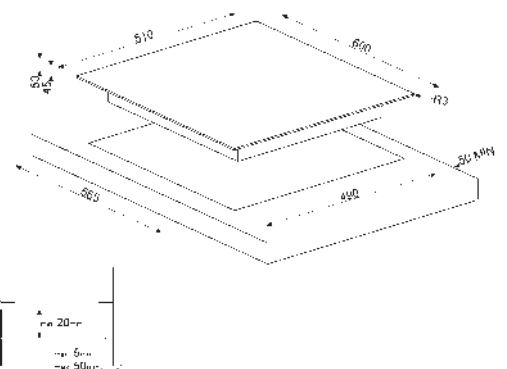


### PLUS:



Ultra-low profile installation  
3 ceramic cooking zones  
3 booster cooking zones  
Rear left: Ø 14.8, 1200 W  
Front right  
9 power levels  
Automatic switch off when overheat  
Automatic switch off when overflow  
Ceramic glass  
Bevelled edge  
Frontal controls  
Controls lock/Child safety

Voltage (V): 220-240 V  
Voltage 2 (V): 380-415 V  
Frequency (Hz): 50/60 Hz  
Current: 25 Amp  
Electrical connection rating (W): 5700 W

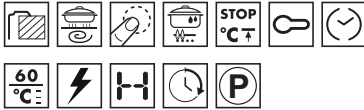


## SE364ETFX

HOB, 60 CM, CERAMIC, BLACK



### PLUS:



Ultra-low profile installation  
 4 ceramic cooking zones  
 4 booster cooking zones  
 Rear left: Ø 14.8, 1200 W  
 Front right: Ø 14.8, 1200 W  
 9 power levels  
 Automatic switch off when overheat  
 Automatic switch off when overflow  
 Ceramic glass  
 Frontal controls  
 Controls lock/Child safety  
 Stainless steel effect frame

Voltage (V): 220-240 V  
 Voltage 2 (V): 380-415 V  
 Frequency (Hz): 50/60 Hz  
 Current: 28 Amp  
 Electrical connection rating (W): 6400 W

## SE364TD

HOB, 60 CM, CERAMIC, BLACK



### PLUS:



Ultra-low profile or Fully Flushed installation  
 4 ceramic cooking zones  
 4 booster cooking zones  
 Rear left: Ø 14.8, 1200 W  
 Front right: Ø 14.8, 1200 W  
 9 power levels  
 Automatic switch off when overheat  
 Automatic switch off when overflow  
 Ceramic glass  
 Straight edge  
 Frontal controls  
 Controls lock/Child safety

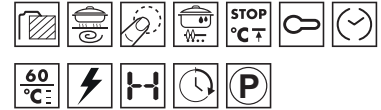
Voltage (V): 220-240 V  
 Voltage 2 (V): 380-415 V  
 Frequency (Hz): 50/60 Hz  
 Current: 26 Amp  
 Electrical connection rating (W): 6000 W

## SE363ETB

HOB, 60 CM, CERAMIC, BLACK

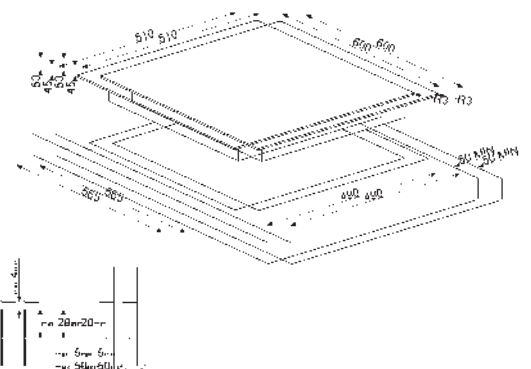


### PLUS:



Ultra-low profile installation  
 3 ceramic cooking zones  
 3 booster cooking zones  
 Rear left: Ø 14.8, 1200 W  
 Front right: Ø 14.8, 1200 W  
 9 power levels  
 Automatic switch off when overheat  
 Automatic switch off when overflow  
 Ceramic glass  
 Bevelled edge  
 Frontal controls  
 Controls lock/Child safety

Voltage (V): 220-240 V  
 Voltage 2 (V): 380-415 V  
 Frequency (Hz): 50/60 Hz  
 Current: 25 Amp  
 Electrical connection rating (W): 5700 W



## SE395ETDL

HOB, 90 CM, CERAMIC, BLACK

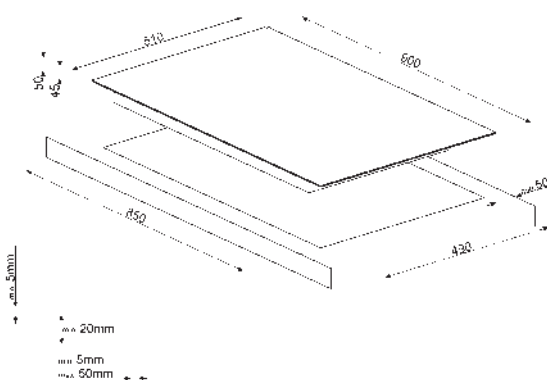


### PLUS:



Ultra-low profile or Fully Flushed installation  
 5 ceramic cooking zones  
 5 booster cooking zones  
 Rear left: Ø 14.8, 1200 W  
 9 power levels  
 Automatic switch off when overheat  
 Automatic switch off when overflow  
 Ceramic glass  
 Straight edge  
 Frontal controls  
 Controls lock/Child safety

Voltage (V): 220-240 V  
 Frequency (Hz): 50/60 Hz  
 Current: 13 Amp  
 Electrical connection rating (W): 3000 W



## SE384EMTD

HOB, 80 CM, CERAMIC, BLACK

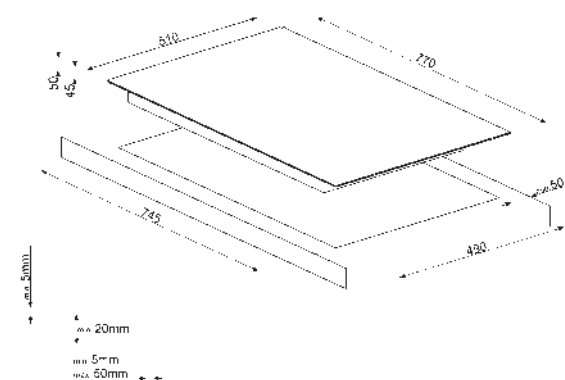


### PLUS:



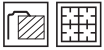
Ultra-low profile or Fully Flushed installation  
 4 ceramic cooking zones  
 4 booster cooking zones  
 Rear left: Ø 14.8, 1200 W  
 Front right: Ø 18.4, 1800 W  
 9 power levels  
 Automatic switch off when overheat  
 Automatic switch off when overflow  
 Ceramic glass  
 Straight edge  
 Frontal controls  
 Controls lock/Child safety

Voltage (V): 220-240 V  
 Voltage 2 (V): 380-415 V  
 Frequency (Hz): 50/60 Hz  
 Current: 33 Amp  
 Electrical connection rating (W): 7400 W



**PC32GNO**

HOB, 30 CM, GAS, CLASSICA,  
BLACK, BLACK FINISHING

**PLUS:**

Ultra-low profile installation  
2 gas burners  
Front centre: 1800 W  
Rear centre: 3000 W  
Cast iron pan stand  
Safety valves  
Ceramic glass  
Straight edge  
Frontal controls  
Contemporanea smeg burners  
Brass burners  
Brass knobs

Voltage (V): 220-240 V  
Frequency (Hz): 50/60 Hz  
Electrical connection rating (W):  
1 W

**ACCESSORIES INCLUDED:**

Linea knobs kit

**PC31GNO**

HOB, 30 CM, GAS, CLASSICA,  
BLACK, BLACK FINISHING

**PLUS:**

Ultra-low profile installation  
1 gas burner  
Centre: 6000 W  
Cast iron pan stand  
Safety valves  
Ceramic glass  
Straight edge  
Frontal controls  
Contemporanea smeg burners  
Brass burners  
Brass knobs

Voltage (V): 220-240 V  
Frequency (Hz): 50/60 Hz  
Electrical connection rating (W):  
1 W

**ACCESSORIES INCLUDED:**

Linea knobs kit

**PV332CN**

HOB, 30 CM, GAS,  
CLASSICA, BLACK

**PLUS:**

Ultra-low profile or Fully  
Flushed installation  
2 gas burners  
Cast iron pan stand  
Safety valves  
Ceramic glass  
Straight edge  
Frontal controls  
Contemporanea smeg  
burners  
Brass burners  
Stainless steel effect knobs

Voltage (V): 220-240 V  
Frequency (Hz): 50/60 Hz  
Electrical connection rating  
(W): 1 W

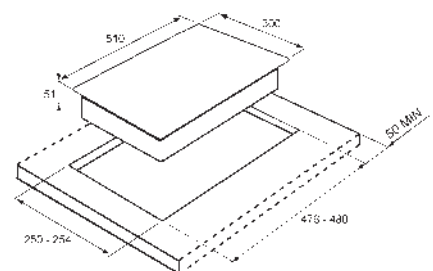
**PV331CN**

HOB, 30 CM, GAS, CLASSICA,  
BLACK, WHITE FINISHING

**PLUS:**

Ultra-low profile or Fully Flushed  
installation  
1 gas burner  
Cast iron pan stand  
Safety valves  
Ceramic glass  
Straight edge  
Frontal controls  
Contemporanea smeg burners  
Brass burners  
Stainless steel effect knobs

Voltage (V): 220-240 V  
Frequency (Hz): 50/60 Hz  
Electrical connection rating (W):  
1 W



### PGF30F

HOB, 30 CM, CLASSICA,  
STAINLESS STEEL



**PLUS:**



Ultra-low profile installation  
1 electric plates cooking zone  
Automatic switch off when  
overheat  
Frontal controls  
Alluminium burners  
Stainless steel effect knobs

Voltage (V): 220-240 V  
Frequency (Hz): 50/60 Hz  
Electrical connection rating (W):  
2200 W

**ACCESSORIES INCLUDED:**  
Linea knobs kit

### PGF32G

HOB, 30 CM, GAS, CLASSICA,  
STAINLESS STEEL



**PLUS:**



Ultra-low profile installation  
2 gas burners  
Cast iron pan stand  
Safety valves  
Frontal controls  
Standard burners  
Alluminium burners  
Stainless steel effect knobs

Voltage (V): 220-240 V  
Frequency (Hz): 50/60 Hz  
Electrical connection rating (W):  
1 W

**ACCESSORIES INCLUDED:**  
Linea knobs kit

### PGF31G-1

HOB, 30 CM, GAS, CLASSICA,  
STAINLESS STEEL



**PLUS:**



Ultra-low profile installation  
1 gas burner  
Cast iron pan stand  
Safety valves  
Frontal controls  
Standard burners  
Alluminium burners  
Stainless steel effect knobs

Voltage (V): 220-240 V  
Frequency (Hz): 50/60 Hz  
Electrical connection rating (W):  
1 W

### PGF30B

HOB, 30 CM, ELECTRIC PLATES,  
CLASSICA, STAINLESS STEEL



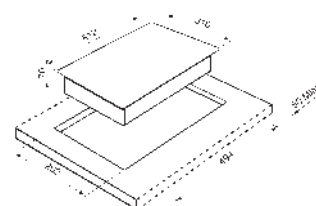
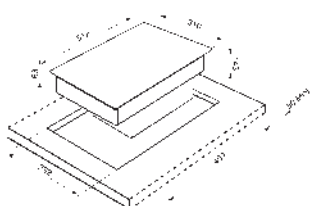
**PLUS:**



Ultra-low profile installation  
1 electric plates cooking zone  
Centre: 1800 W  
9 power levels  
Cast iron pan stand  
Frontal controls  
Stainless steel effect knobs

Voltage (V): 220-240 V  
Frequency (Hz): 50/60 Hz  
Current: 8 Amp  
Electrical connection rating (W):  
1800 W

**ACCESSORIES INCLUDED:**  
Linea knobs kit



### PGF32I-1

HOB, 30 CM, INDUCTION, CLASSICA, STAINLESS STEEL



**PLUS:**



Ultra-low profile installation  
 2 induction cooking zones  
 1st zone booster power:  
 2200 W  
 2nd zone booster power:  
 3000 W  
 Automatic pan diameter  
 adjustment  
 Pan detection  
 Automatic switch off when  
 overheat  
 Protection against accidental  
 start up  
 Frontal controls  
 Stainless steel effect knobs  
 Controls lock/Child safety

Voltage (V): 220-240 V  
 Frequency (Hz): 50/60 Hz  
 Current: 16 Amp  
 Electrical connection rating (W):  
 3600 W

### PGF32C

HOB, 30 CM, CERAMIC, CLASSICA



**PLUS:**



Ultra-low profile installation  
 2 ceramic cooking zones  
 9 power levels  
 Ceramic glass  
 Frontal controls  
 Stainless steel effect knobs

Voltage (V): 220-240 V  
 Frequency (Hz): 50/60 Hz  
 Current: 13 Amp  
 Electrical connection rating (W):  
 3000 W

**ACCESSORIES INCLUDED:**  
 Linea knobs kit

### PGF30T-1

HOB, 30 CM, CLASSICA, STAINLESS STEEL

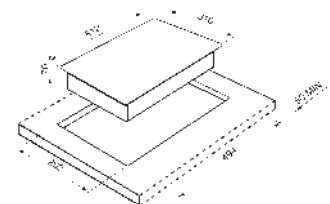


**PLUS:**



Ultra-low profile installation  
 2 induction cooking zones  
 1st zone booster power:  
 1800 W  
 2nd zone booster power:  
 1800 W  
 9 power levels  
 Automatic switch off when  
 overheat  
 Frontal controls  
 Stainless steel effect knobs  
 Controls lock/Child safety

Voltage (V): 220-240 V  
 Frequency (Hz): 50/60 Hz  
 Current: 13 Amp  
 Electrical connection rating (W):  
 3000 W





### SRV532GH3

HOB, 30 CM, GAS, CONTEMPORANEA, STAINLESS STEEL



**PLUS:**



Traditional Built-in  
2 gas burners  
Cast iron pan stand  
Safety valves  
Frontal controls  
Contemporanea smeg burners  
Alluminium burners  
Stainless steel effect knobs

Voltage (V): 220-240 V  
Frequency (Hz): 50/60 Hz  
Electrical connection rating (W): 1 W

### SRV531GH5

HOB, 30 CM, GAS, CONTEMPORANEA, STAINLESS STEEL



**PLUS:**



Traditional Built-in  
1 gas burner  
Cast iron pan stand  
Safety valves  
Frontal controls  
Silver knobs

Voltage (V): 220-240 V  
Frequency (Hz): 50/60 Hz  
Electrical connection rating (W): 1 W

### SEH530X1

HOB, 30 CM, CERAMIC, CONTEMPORANEA, STAINLESS STEEL

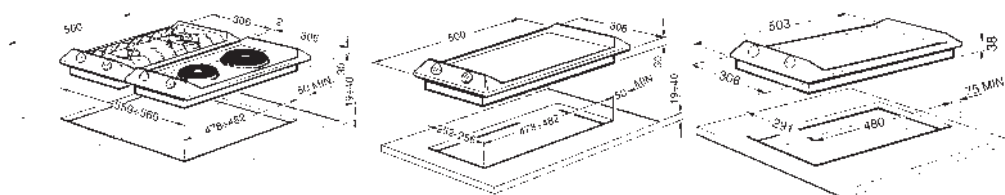


**PLUS:**



Traditional Built-in  
2 ceramic cooking zones  
Automatic switch off when overheat  
Frontal controls  
Silver knobs

Voltage (V): 220-240 V  
Frequency (Hz): 50/60 Hz  
Current: 13 Amp  
Electrical connection rating (W): 3000 W



**SEFR536X**

HOB, 30 CM,  
CONTEMPORANEA, STAINLESS  
STEEL

**PLUS:**

Traditional Built-in  
1 electric plates cooking zone  
Frontal controls  
Silver knobs

Voltage (V): 220-240 V  
Frequency (Hz): 50/60 Hz  
Current: 16 Amp  
Electrical connection rating (W):  
2200 W

**SEGR531X**

HOB, 30 CM,  
CONTEMPORANEA, STAINLESS  
STEEL

**PLUS:**

Traditional Built-in  
Centre: 2750 W  
Cast iron pan stand  
Frontal controls  
Silver knobs

Voltage (V): 220-240 V  
Frequency (Hz): 50/60 Hz  
Current: 16 Amp  
Electrical connection rating (W):  
2500 W

**SE530X**

HOB, 30 CM, ELECTRIC PLATES,  
CONTEMPORANEA, STAINLESS  
STEEL

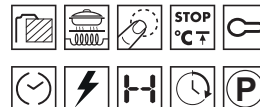
**PLUS:**

Traditional Built-in  
2 electric plates cooking zones  
Frontal controls  
Stainless steel effect knobs

Voltage (V): 220-240 V  
Frequency (Hz): 50/60 Hz  
Current: 11 Amp  
Electrical connection rating (W):  
2450 W

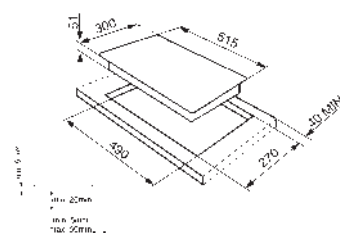
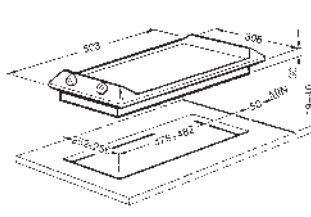
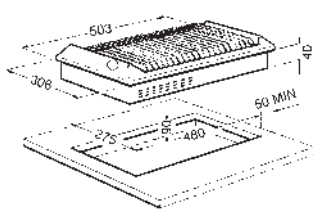
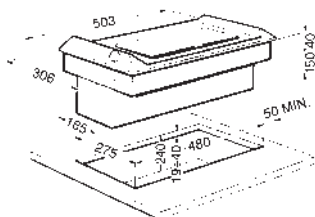
**SI5322B**

HOB, 30 CM, INDUCTION,  
BLACK

**PLUS:**

Ultra-low profile installation  
2 induction cooking zones  
2 booster cooking zones  
1st zone booster power:  
1400 W  
2nd zone booster power:  
3000 W  
9 power levels  
Automatic pan diameter  
adjustment  
Pan detection  
Automatic switch off when  
overheat  
Protection against accidental  
start up  
Ceramic glass  
Bevelled edge  
Frontal controls  
Controls lock/Child safety

Voltage (V): 220-240 V  
Frequency (Hz): 50/60 Hz  
Current: 16 Amp  
Electrical connection rating (W):  
3600 W



## S232CX

HOB, 30 CM, CERAMIC, BLACK



### PLUS:



Traditional Built-in  
2 ceramic cooking zones  
12 power levels  
Ceramic glass  
Stainless steel effect frame

Voltage (V): 230-240 V  
Frequency (Hz): 50/60 Hz  
Electrical connection rating (W):  
2900 W

## S232TCX

HOB, 30 CM, CERAMIC, BLACK



### PLUS:



Traditional Built-in  
2 ceramic cooking zones  
12 power levels  
Ceramic glass  
Black knobs  
Stainless steel effect frame

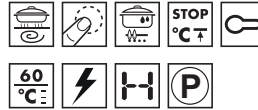
Voltage (V): 230-240 V  
Frequency (Hz): 50/60 Hz  
Electrical connection rating (W):  
2900 W

## SE332ED

HOB, 30 CM, CERAMIC,  
BLACK



### PLUS:



Ultra-low profile or Fully Flushed  
installation  
2 ceramic cooking zones  
2 booster cooking zones  
9 power levels  
Automatic switch off when  
overheat  
Automatic switch off when  
overflow  
Ceramic glass  
Straight edge  
Frontal controls  
Controls lock/Child safety

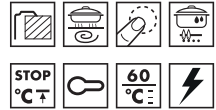
Voltage (V): 220-240 V  
Frequency (Hz): 50/60 Hz  
Current: 13 Amp  
Electrical connection rating (W):  
2900 W

## SE332EB

HOB, 30 CM, CERAMIC,  
BLACK

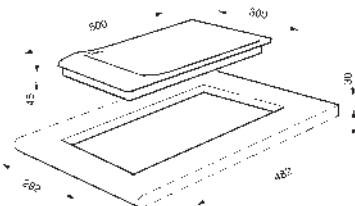


### PLUS:

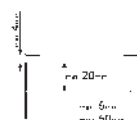
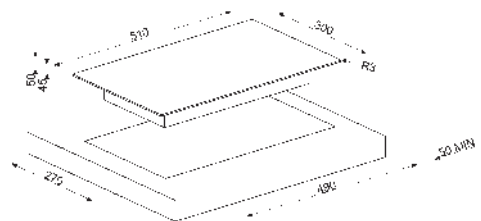


Ultra-low profile installation  
2 ceramic cooking zones  
2 booster cooking zones  
9 power levels  
Automatic switch off when  
overheat  
Automatic switch off when  
overflow  
Ceramic glass  
Bevelled edge  
Frontal controls  
Controls lock/Child safety

Voltage (V): 220-240 V  
Frequency (Hz): 50/60 Hz  
Current: 13 Amp  
Electrical connection rating  
(W): 2900 W



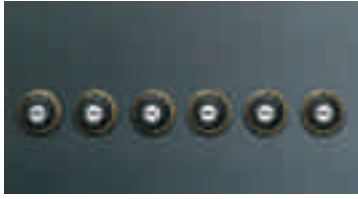
S232CX  
S232TCX



SE332ED  
SE332EB

### 6MP700AO

SET OF CORTINA CONTROL KNOBS



Set of 6 Cortina control knobs  
Anthracite, old brass hubs  
Suitable for 60 cm and 70 cm Cortina  
gas hobs

### 6MP700AX

SET OF CORTINA CONTROL KNOBS



Set of 6 Cortina control knobs  
Anthracite, silver hubs  
Suitable for 60 cm and 70 cm Cortina  
gas hobs

### 6MP700BS

SET OF CORTINA CONTROL KNOBS



Set of 6 Cortina control knobs  
Silver, silver hubs  
Suitable for 60 cm and 70 cm Cortina  
gas hobs

### 6MP700OT

SET OF CORTINA CONTROL KNOBS



Set of 6 Cortina control knobs  
Brass, brass hubs  
Suitable for 60 cm and 70 cm Cortina  
gas hobs

### 6MP700PO

SET OF CORTINA CONTROL KNOBS



Set of 6 Cortina control knobs  
Cream, old brass hubs  
Suitable for 60 cm and 70 cm Cortina  
gas hobs

### 6MP700PX

SET OF CORTINA CONTROL KNOBS



Set of 6 Cortina control knobs  
Cream, silver hubs  
Suitable for 60 cm and 70 cm Cortina  
gas hobs

### 6MP700RWX

SET OF CORTINA CONTROL KNOBS



Set of 6 Cortina control knobs  
Red wine, silver hubs  
Suitable for 60 cm and 70 cm Cortina  
gas hobs

### 6MP800EB

SET OF COLONIALE CONTROL KNOBS



Set of 6 Coloniale control knobs  
Gold, white hubs  
Suitable for gas hobs

### 6MP800P

SET OF COLONIALE CONTROL KNOBS



Set of 6 Coloniale control knobs  
Gold, cream hubs  
Suitable for gas hobs

**6MP850AO1**

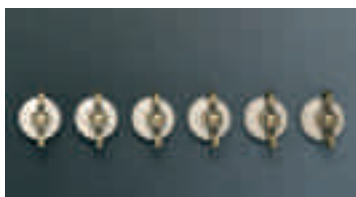
SET OF COLONIALE CONTROL KNOBS



Set of 6 Coloniale control knobs  
Old brass, anthracite hubs  
Suitable for gas hobs

**6MP850AV1**

SET OF COLONIALE CONTROL KNOBS



Set of 6 Coloniale control knobs  
Old brass, white hubs  
Suitable for gas hobs

**6MP850PO1**

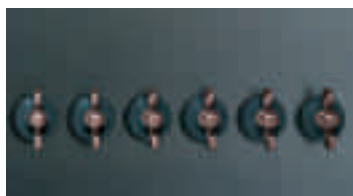
SET OF COLONIALE CONTROL KNOBS



Set of 6 Coloniale control knobs  
Old brass, cream hubs  
Suitable for gas hobs

**6MP850RA**

SET OF COLONIALE CONTROL KNOBS



Set of 6 Coloniale control knobs  
Old brass, anthracite hubs  
Suitable for gas hobs

**6MP850X**

SET OF COLONIALE CONTROL KNOBS



Set of 6 Coloniale control knobs  
Silver, anthracite hubs  
Suitable for gas hobs

**5MP1GOG**

5 LINEA KNOBS KIT



Hob knobs set NEW LINEA for  
GasOnGlass range

**6MP1BF**

6 LINEA KNOBS KIT



Hob knobs set NEW LINEA for Blade  
Flame range

**6MP1PGF**

6 LINEA KNOBS



Hob knobs set NEW LINEA for PGF  
range

**6MPF2465X**

CONTROL KNOBS SET



Set of 6 control knobs  
Silver

**7520EB**

WHITE COVER



White cover  
Suitable for 60 cm side control hobs

**7520NE**

BLACK COVER



White cover  
Suitable for 60 cm side control hobs

**7520X**

GLASS COVER



Glass cover  
Suitable for 60 cm side control hobs

**7530NE**

BLACK COVER



Black cover  
Suitable for 90 cm side control hobs

**7530X**

GLASS COVER



Glass cover  
Suitable for 90 cm side control hobs

**C60CEB/1**

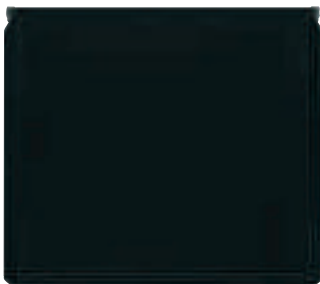
WHITE COVER



White cover  
Suitable for 60 cm hobs with frontal controls

**C60CNE-2**

BLACK COVER



Black cover  
Suitable for 60 cm hobs with frontal controls

**C60CX/1**

GLASS COVER



Glass cover  
Suitable for 60 cm hobs with frontal controls

**CC60NE**

BLACK COVER



Black cover  
Suitable for 60 cm hobs with frontal controls

**CC60X**

GLASS COVER WITH STAINLESS STEEL FRAME



Glass cover with stainless steel frame  
Suitable for 60 cm hobs with frontal controls

**CC70NE**

BLACK COVER



Black cover  
Suitable for 70 cm hobs with frontal controls

**CC70X**

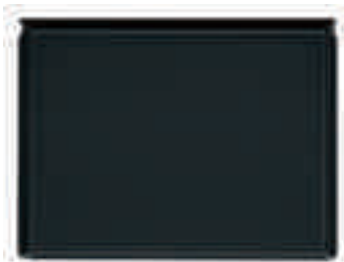
GLASS COVER WITH STAINLESS STEEL FRAME



Glass cover with stainless steel frame  
Suitable for 70 cm hobs with frontal controls

**C70CA/1**

ANTHRACITE COVER



Anthracite cover  
Suitable for 70 cm hobs with frontal controls

**C70CD/1**

CAST IRON GREY COVER



Cast iron grey cover  
Suitable for 70 cm hobs with frontal controls

**C70CEB/1**

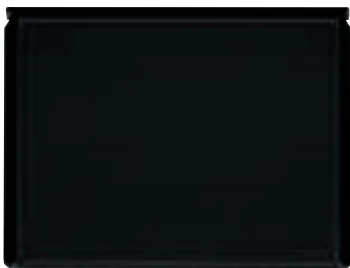
WHITE COVER



White cover  
Suitable for 70 cm hobs with frontal controls

**C70CNE-2**

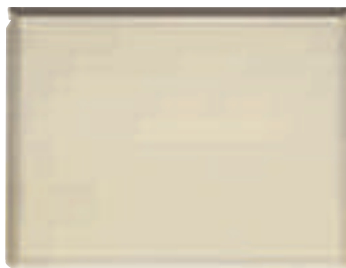
BLACK COVER



Black cover  
Suitable for 70 cm hobs with frontal controls

**C70CP/1**

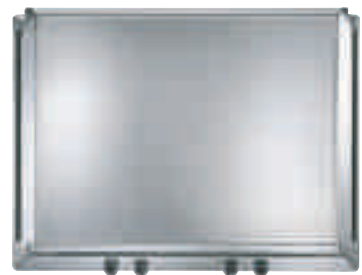
CREAM COVER



Cream cover  
Suitable for 70 cm hobs with frontal controls

**C70CX/1**

GLASS COVER WITH STAINLESS STEEL FRAME



Glass cover with stainless steel frame  
Suitable for 70 cm hobs with frontal controls

## C90CEB/1

WHITE COVER



White cover  
Suitable for 90 cm gas hobs with frontal controls

## C90CNE-2

BLACK COVER



Black cover  
Suitable for 90 cm gas hobs with frontal controls

## C90CX/1

GLASS COVER WITH STAINLESS STEEL FRAME



Glass cover with stainless steel frame  
Suitable for 90 cm gas hobs with frontal controls

## DICAR

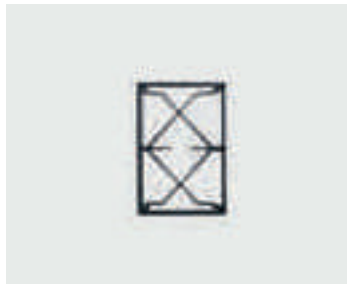
SIMMER PLATE



Kit 5 simmer plates pack

## GGB30

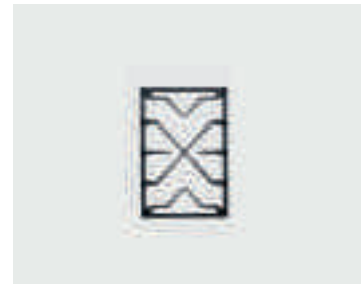
SET OF CAST IRON GRIDDLES



Set of cast iron griddles  
Suitable for 30 cm hobs

## GGB31

SET OF CAST IRON GRIDDLES



Set of cast iron griddles  
Suitable for 30 cm hobs

## GGB60

SET OF CAST IRON GRIDDLES



Set of 2 cast iron griddles  
Suitable for 60 cm hobs

## GGB70-1

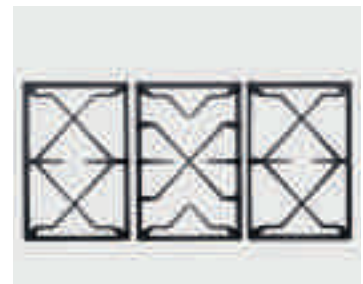
SET OF CAST IRON GRIDDLES



Set of 3 cast iron griddles  
Suitable for 70 cm hobs

## GGB90

SET OF CAST IRON GRIDDLES



Set of 3 cast iron griddles  
Suitable for 90 cm hobs



### GRC60

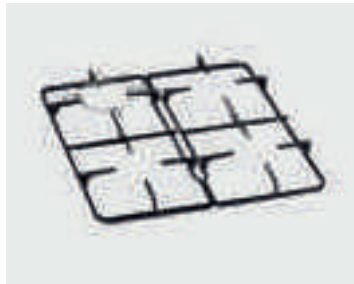
SET OF CAST IRON GRIDDLES



Set of cast iron griddles  
Suitable for 60 cm hobs

### GR6

SET OF ENAMELLED PAN STANDS



Set of enamelled pan stands  
Suitable for 60 cm side control hobs

### KPDSN60B

ARTISTIC PAN STANDS, BIRDS



Stainless Steel artistic pan stands Titanium coating Birds design Suitable for 60cm hobs

### KPDSN60F

ARTISTIC PAN STANDS, FRUIT



Stainless Steel artistic pan stands Titanium coating Fruit design Suitable for 60cm hobs

### KPDSN60I

ARTISTIC PAN STANDS, BUTTERFLIES



Stainless Steel artistic pan stands Titanium coating Butterflies design Suitable for 60cm

### KPDSN60L

ARTISTIC PAN STANDS, LEAVES



Stainless Steel artistic pan stands Titanium coating Leaves design Suitable for 60cm

### KPDSN75B

ARTISTIC PAN STANDS, BIRDS



Stainless Steel artistic pan stands Titanium coating Birds design Suitable for 75cm hobs

### KPDSN75F

ARTISTIC PAN STANDS, FRUIT



Stainless Steel artistic pan stands Titanium coating Fruit design Suitable for 75cm hobs

### KPDSN75I

ARTISTIC PAN STANDS, BUTTERFLIES



Stainless Steel artistic pan stands Titanium coating Butterflies design Suitable for 75cm

### KPDSN75L

ARTISTIC PAN STANDS, LEAVES



Stainless Steel artistic pan stands Titanium coating Leaves design Suitable for 75cm

### KPDSN100B

ARTISTIC PAN STANDS, BIRDS



Stainless Steel artistic pan stands Titanium coating Birds design Suitable for 100cm hobs

### KPDSN100I

ARTISTIC PAN STANDS, BUTTERFLIES



Stainless Steel artistic pan stands Titanium coating Butterflies design Suitable for 100cm hobs

### KPDSN100F

ARTISTIC PAN STANDS, FRUIT



Stainless Steel artistic pan stands Titanium coating Fruit design Suitable for 100cm hobs

### KPDSN100L

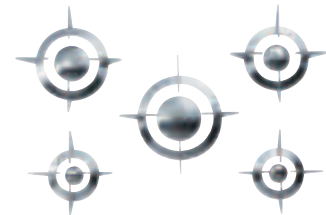
ARTISTIC PAN STANDS, LEAVES



Stainless Steel artistic pan stands Titanium coating Leaves design Suitable for 100cm hobs

### GP705ES

SET OF EVER SHINE STAINLESS STEEL PAN STANDS AND BURNER CAPS



Set of Ever shine stainless steel pan stands and burner caps

### GP106ES

SET OF STAINLESS STEEL PAN STANDS AND BURNER CAPS



Set of Ever Shine stainless steel pan stands and burner caps

### GP64ES

SET OF EVER SHINE STAINLESS STEEL PAN STANDS AND BURNER CAPS



Set of Ever Shine stainless steel pan stands and burner caps

### LG53-1

CONNECTING STRIP



Connecting strip

### GRM

COFFEE MACHINE SUPPORT



Gas hobs moka support

### GRW

WOK REDUCTION SUPPORT



Wok reduction support

### BB3679

CAST IRON GRIDDLE



Cast iron griddle  
Suitable for all gas hob models

### TPK

TEPPANYAKI GRILL PLATE



Stainless steel grill plate to cook  
Teppanyaki dishes  
Suitable for induction hobs

### WOKGHC

CAST IRON WOK SUPPORT



Cast iron Wok support, it offers  
additional stability using a Wok  
Suitable for SRV572 and SRV573, not  
suitable for SRV573-5

### WOKGHU

CAST IRON GRIDDLE WOK



Cast iron griddle Wok, it offers additional  
stability using a Wok  
Suitable for all cast iron griddles, except  
for classic front control 60 cm gas hobs

# HOBS ACCESSORIES

## PIANO DESIGN

	DICAR	GP64ES	GP705ES	GP106ES	TPK									
P106ES	•			•	•									
P705ES	•		•		•									
P64ES	•	•			•									
PTV705ES	•		•											
PTV64ES	•	•												

## LINEA

	5MP1GOG	DICAR	GRW	TPK	WOKGHU									
PX1402		•	•	•	•									
PX7502		•	•	•	•									
PV175B2	•													
PV175N2	•													
PV175S2	•													
PV164N2	•													
PV164S2	•													
PV164B2	•													
PV163S2	•													
PV163B2	•													
PV163N2	•													
PX175		•	•	•	•									
PX175L		•	•	•	•									
PX164L		•	•	•	•									

## CLASSICA

	6MP700AO 6MP700AX 6MP700BS 6MP700OT 6MP700PO 6MP700PX 6MP700RWX	6MP800EB 6MP800P 6MP850AO1 6MP850AV1 6MP850PO1 6MP850RA 6MP850X	5MP1GOG	6MP1PGF	6MPF2465X	CC60NE CC60X	C70CA/1 C70CD/1 C70CEB/1 C70CNE-2 C70CP/1 C70CX/1	CC70NE CC70X	DICAR	GRM	GRW	BB3679	TPK	WOKGHU
PX364L									•		•		•	•
PX375									•		•		•	•
PX375L									•		•		•	•
PC73GNO									•	•	•			•
PC73GBO									•	•	•			•
PGF96				•					•	•	•			•
PGF95-4				•					•	•	•			•
PGF75-4				•					•	•	•			•
PGF64-4				•					•					
SE775GH5	•	•			•		•		•	•	•	•	•	•
SE705GH-5	•	•			•			•	•	•	•	•	•	•
SER605GH3	•	•			•	•			•			•	•	
SER6053	•	•			•	•			•			•	•	
SE435X														
SE435S														
PV395LCN				•					•	•	•			•
PV375CN				•					•	•	•			•
PV364LCN				•					•	•	•			•
PM3912WLD				•					•		•			•
PM3721WLD				•					•	•	•			•
PM3621WLD				•					•	•	•			•

## VICTORIA

	6MP700AO 6MP700AX 6MP700BS 6MP700OT 6MP700PO 6MP700PX 6MP700RWX	6MPF2465X	C60CEB/1 C60CNE-2 C60CX/1	C70CA/1 C70CD/1 C70CEB/1 C70CNE-2 C70CP/1 C70CX/1	DICAR	GGB60	GGB70-1	GRW	BB3679	TPK	WOKGHU			
SR975BGH	•	•		•	•		•	•	•	•	•			
SR975NGH	•	•		•	•		•	•	•	•	•			
SR975PGH	•	•		•	•		•	•	•	•	•			
SR975XGH	•	•		•	•		•	•	•	•	•			
SR964BGH	•	•	•		•	•		•	•	•	•			
SR964NGH	•	•	•		•	•		•	•	•	•			
SR964PGH	•	•	•		•	•		•	•	•	•			
SR964XGH	•	•	•		•	•		•	•	•	•			

# HOBS ACCESSORIES

## CORTINA

	6MP700AO 6MP700AX 6MP700BS 6MP700OT 6MP700PO 6MP700PX 6MP700RWX	6MPF2465X	CC60NE CC60X	CC70NE CC70X	DICAR	GRM	GRW	BB3679	TPK	WOKGHU				
SR775PO	•	•		•	•	•	•	•	•	•				
SR775AS	•	•		•	•	•	•	•	•	•				
SR775PS	•	•		•	•	•	•	•	•	•				
SR775BS	•	•		•	•	•	•	•	•	•				
SR775AO	•	•		•	•	•	•	•	•	•				
SR775RA	•	•		•	•	•	•	•	•	•				
SR775OT	•	•		•	•	•	•	•	•	•				
SR764AO	•	•	•		•			•	•					
SR764AS	•	•	•		•			•	•					
SR764PS	•	•	•		•			•	•					
SR764BS	•	•	•		•			•	•					
SR764PO	•	•	•		•			•	•					
SR764RA	•	•	•		•			•	•					
SR764OT	•	•	•		•			•	•					

## SELEZIONE

	6MP700AO 6MP700AX 6MP700BS 6MP700OT 6MP700PO 6MP700PX 6MP700RWX	6MPF2465X	7520EB 7520NE 7520X	CC60NE CC60X	DICAR	GRC60	GR6	GRW	BB3679	TPK	WOKGHU			
P272XGH					•			•	•	•	•			
P261XGH					•			•	•	•	•			
P260XGH					•			•	•	•	•			
SR264XGH	•	•			•			•	•	•				
SR264X	•	•			•			•	•	•				
S264X	•	•			•			•	•	•				
S60GHS	•	•		•	•			•	•	•				
SR64S			•		•	•	•	•	•	•	•			
S64S			•		•	•	•	•	•	•	•			
S63S			•		•			•	•	•	•			

## CONTEMPORANEA

	6MP700AO 6MP700AX 6MP700BS 6MP700OT 6MP700PO 6MP700PX 6MP700RWX	6MP800EB 6MP800P 6MP850AO1 6MP850AV1 6MP850PO1 6MP850RA 6MP850X	6MPF2465X	C60CEB/1 C60CNE-2 C60CX/1	C70CA/1 C70CD/1 C70CEB/1 C70CNE-2 C70CP/1 C70CX/1	C90CEB/1 C90CNE-2 C90CX/1	DICAR	GGB60	GGB70-1	GGB90	GRW	BB3679	TPK	WOKGHC
SRV596GH5	•	•	•			•	•			•	•	•	•	
SRV596-5	•	•	•			•	•			•	•	•	•	
SRV575GH5	•	•	•				•		•		•	•	•	
SRV573XG	•	•	•				•				•	•	•	•
SRV573X-5	•	•	•				•				•	•	•	
SRV572XG	•	•	•				•				•	•	•	•
SRV572X-5	•	•	•				•				•	•	•	
SRV564-3	•	•	•	•			•	•			•	•	•	
SV564-3	•	•	•	•			•	•			•	•	•	

## DOLCE STIL NOVO

	6MP1BF	KPDSN60B KPDSN60F KPDSN60I KPDSN60L	KPDSN75B KPDSN75F KPDSN75I KPDSN75L	KPDSN100B KPDSN100F KPDSN100I KPDSN100L	GRM	GRW	TPK	WOKGHU						
PVL664CN	•	•			•	•		•						
PVL675LCN	•		•		•	•		•						
PVL6106CN	•			•	•	•		•						
PXL664	•	•			•	•		•						
PXL675L	•		•		•	•		•						
PXL6106	•			•	•	•		•						

# HOBS ACCESSORIES

## DOLCE STIL NOVO - Stainless steel finishing

	DICAR	GRM	GRW	TPK	WOKGHU									
PV695LCNX	•	•	•		•									
PV675CNX	•	•	•		•									
PV664LCNX	•	•	•		•									
PV632CNX	•	•	•		•									
PV631CNX	•	•	•		•									
PM6912WLDX			•	•	•									
PM6721WLDX	•	•	•	•	•									
PM6621WLDX	•	•	•	•	•									

## DOLCE STIL NOVO - Copper finishing

	DICAR	GRM	GRW	TPK	WOKGHU									
PV695LCNR	•	•	•		•									
PV675CNR	•	•	•		•									
PV664LCNR	•	•	•		•									
PV632CNR	•	•	•		•									
PV631CNR	•	•	•		•									
PM6912WLDR			•	•	•									
PM6721WLDR	•	•	•	•	•									
PM6621WLDR	•	•	•	•	•									

## INDUCTION

	TPK													
PI964B	•													
PI964N	•													
PI964X	•													
PI964P	•													
PI764AO	•													
PI764PO	•													
PI764BS	•													
SI364B	•													
SIM693WLDX	•													
SIM662WLDX	•													
SIM631WLDX	•													
SIM693WLDR	•													
SIM662WLDR	•													
SIM631WLDR	•													
SIH7933B	•													
SI5952B	•													
SI2M7953B	•													
SI3842B	•													
SI1F7845B	•													
SI7844B	•													
SI1M7743B	•													
SI1M7733B	•													
SI5741D	•													
SI2M7643B	•													
SI2M7643D	•													
SI2M7643FX	•													
SI5641B	•													
SI5641D	•													
SI5643B	•													
SI5643D	•													
SI5642D	•													
SI7633B	•													
SI5631D	•													

# HOBS ACCESSORIES

## CERAMIC

	5MP700AO 5MP700PO 5MP800P 5MP800A													
P875PO	•													
P875AO	•													
P864AO	•													
P864PO	•													
SE332ED														
SE332EB														
SE363ETB														
SE364ETB														
SE364EMTB														
SE364ETD														
SE364ETFX														
SE364TD														
SE364TDL														
SE364ETBM														
SE364TDM														
SE384EMTB														
SE384EMTD														
SE385EMTB														
SE395ETB														
SE395ETDL														

## DOMINO

	6MP700AO 6MP700AX 6MP700BS 6MP700OT 6MP700PO 6MP700PX 6MP700RWX	6MP800EB 6MP800P 6MP850AO1 6MP850AV1 6MP850PO1 6MP850RA 6MP850X	5MP1GOG	6MP1PGF	6MPF2465X	DICAR	GGB30	GGB31	GRM	GRW	LG53-1	TPK	WOKGHU
PC31GNO						•			•	•			•
PC32GNO						•			•	•			•
PV332CN			•			•			•	•			•
PV331CN			•			•			•	•			•
PGF32G				•		•			•	•			•
PGF31G-1				•		•			•	•			•
PGF30B				•									
PGF32I-1				•									
PGF32C				•									
PGF30T-1				•									
SRV532GH3	•	•			•	•	•			•	•	•	
SRV531GH5	•	•			•	•		•		•	•	•	
SEH530X1											•		
SEFR536X											•		
SEGR531X											•		
SE530X	•	•			•						•		
SIM631WLDX												•	
SIM631WLDR												•	
SI5322B												•	
SE332EB													
SE332ED													
S232TCX													
S232CX													

# BARBECUES

Using professional cooking surfaces and materials to complement the overall look and feel of contemporary outdoor spaces, the Smeg built-in barbecues meet the high standards expected from a premium barbecue.





## EXCELLENCE AS A STANDARD

*lean, clean and stylishly powerful*

Smeg has used its indoor expertise to deliver perfectly controlled outdoor barbecue cooking in a sleek, beautifully designed built-in appliance crafted in high quality stainless steel. Versatile and professional products that are very hard-wearing, long-lasting and resistant to atmospheric agents.

BARBECUES

### HEALTHY FOOD

An integrated fat and oil collection system **drains all oils and fats away** from the cooking area into a reservoir at the side of the unit that can be removed and **washed in the dishwasher**.

### INTERLOCKING GRILL SYSTEM

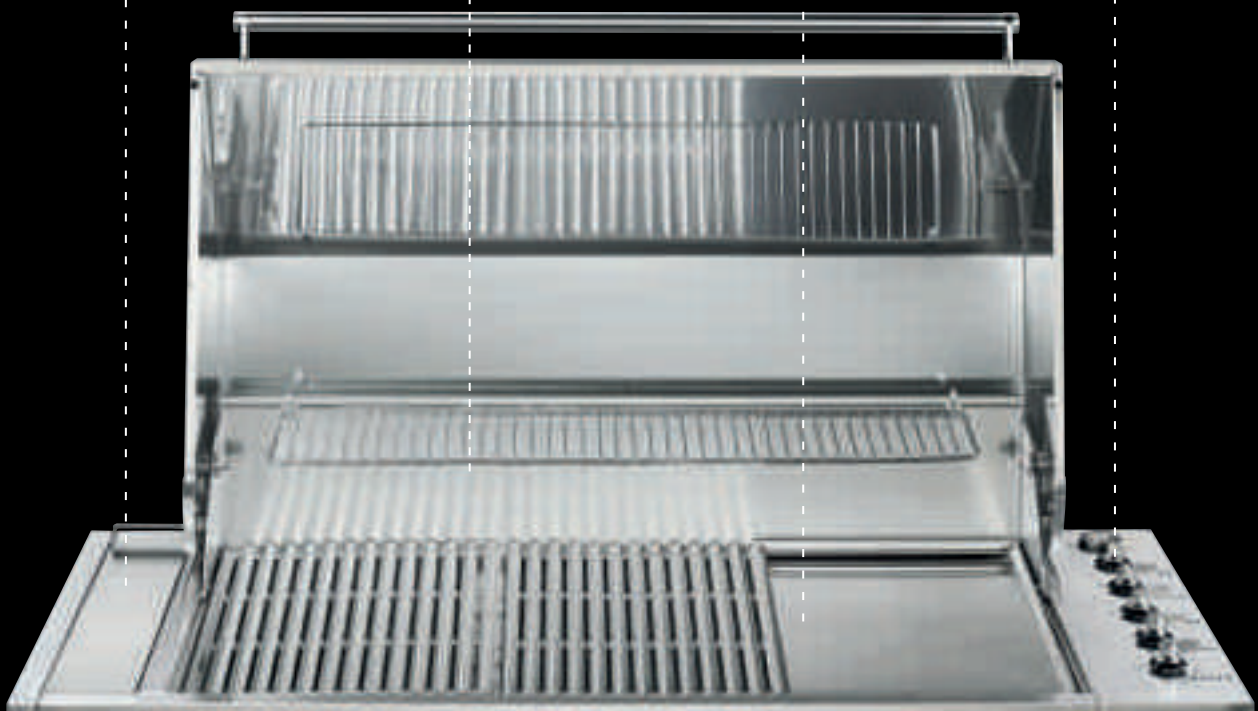
Useful stainless steel shelf where you can place food that has to be cooked or already cooked food to keep it warm.

### HOTPLATE

Special surface that will keep the food warm before you serve it and that can be used to further grill food and seal in the flavours.

### LASER-ETCHED PANEL

The control panel is laser-etched so the serigraphy will not wear off with time.



## DESIGN FOR FUNCTIONALITY

# *quality materials*

To further bolster the longevity of the appliance all outer surfaces are made from AISI 316 Marine Grade Stainless steel, ideal for properties in Coastal areas, while the cooking surfaces are AISI 304 Commercial Grade polished Stainless steel, making them particularly easy to clean.

The BIBQ1205H barbecue features a **double-insulated hood**, with a safe-touch exterior, plus a stainless steel warming rack and a 400° C thermostat so you can keep an eye on the internal temperature.



BARBECUES

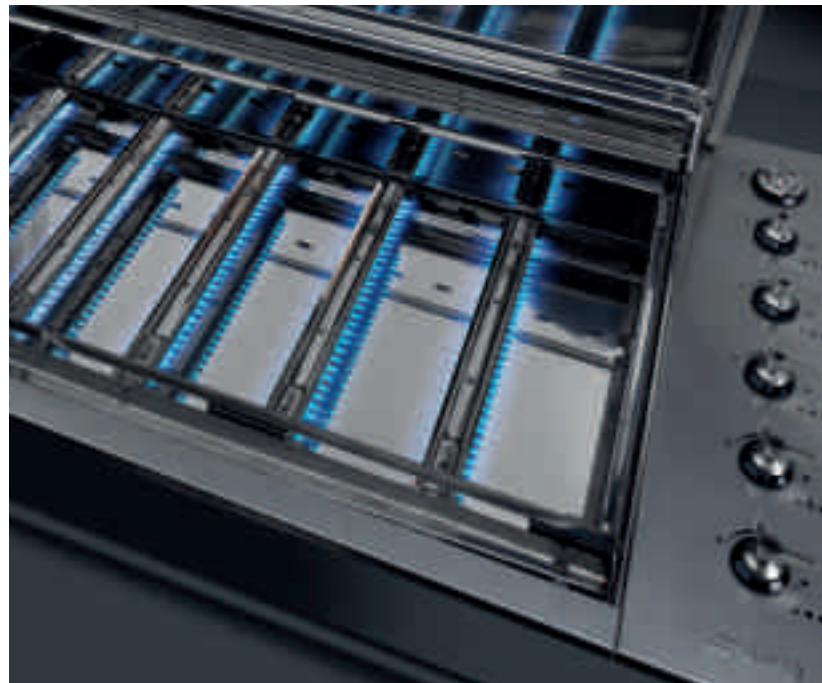
# *high performance*

### **EXTREMELY POWERFUL**

Smeg outdoor built-in barbecues are of the most powerful on the market with a **total of 20 kW power over 5 burners** and a cooking surface of over 90cm wide. They are pre-set for different LPG types of gas and are also natural gas compatible.

### **INNOVATIVE BURNERS**

Each burner has its own individual control so that the **heat can be varied as needed** – this gives the chef the freedom to cook different types of food at the same time even if they require different heat intensities





BARBECUES

Baltic

## BIBQ1205H

OUTDOOR BUILT-IN BARBECUE, STAINLESS STEEL, 5 BURNERS WITH HOOD, CLASSICA AESTHETICS



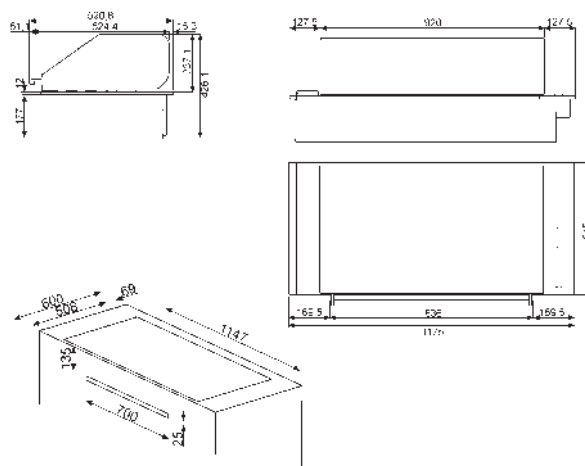
AISI 316 Marine grade satin stainless steel on all outer surfaces  
AISI 304 grade polished stainless steel on all cooking and internal surfaces

Total power: 20kW  
5 stainless steel burners (4kW of power each)  
No safety valves  
Stainless steel interlocking grill system (x2)  
Stainless steel hotplate (Teppanyaki)  
Stainless steel warming rack  
Electronic ignition with 9V battery pack (easy to change from front panel) or  
AC power adaptor (220-240V)

Fat and oil collection system with easy to clean reservoir  
Laser-etched control panel  
Double insulated stainless steel hood with 0-400 °C thermostat

Gas output:  
Pre-set for LPG G30 (30 mbar)  
Nozzles gas kit supplied: G20 (20 mbar), G25 (25 mbar), G30 (50 mbar)  
LPG G30 (50 mbar) conversion kit supplied

Dimensions (handle included): 1175 x 591 mm (lxp)  
Hood weight: 15 Kg  
Barbecue weight (excluding the hood): 45 Kg



# COOKERS

Smeg cookers are design icons, combining style and outstanding performance in every way. Inspired by the cookers used by the world's greatest chefs. Smeg offers real masterpieces where style and elegance go hand in hand with extreme versatility.



# Cookers

*refined superiority*



OPERA



PORTOFINO



VICTORIA



CORTINA

COOKERS



Advanced technology combined with a rigorous approach to aesthetics and top quality materials are the guiding principles behind the design of Smeg cookers, making the company name famous worldwide.



**COLONIALE**



**MASTER**



**SINFONIA**



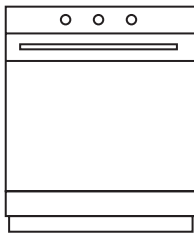
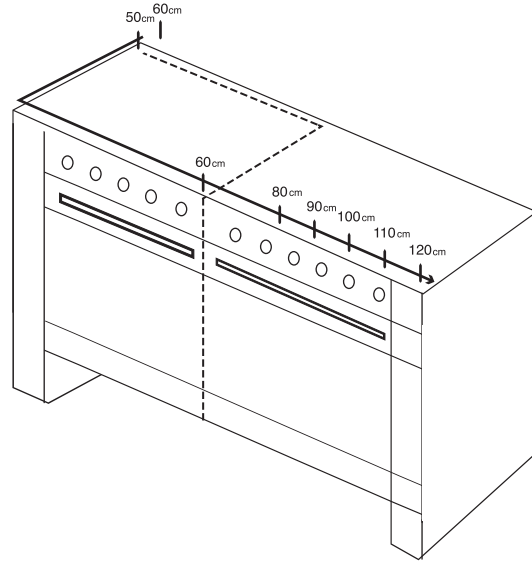
**CONCERTO**

## VERSATILITY

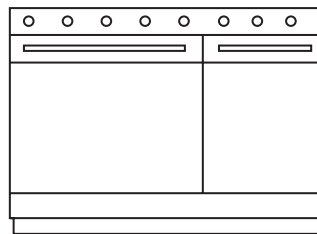
# *in a wide range*

Passion for cooking deserves an outstanding cooker, with a harmonious blend of practicality and style. Inspired by the cooking centers, great chefs of the world prepare the most exquisite dishes on them.

Available in a number of different dimensions from 60 cm wide for small kitchens to 120 cm wide with several ovens, Smeg cookers satisfy every space requirement.



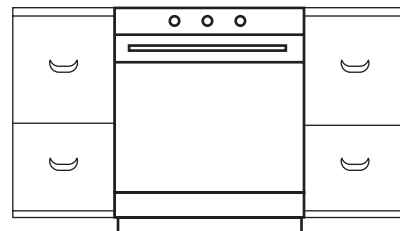
**SINGLE OVEN**



**TWO OVENS IN A ROW**

The range is represented by cooking centers both with compact oven with 35 l and spacious oven with 115 litres. Choose one, two or even three-sectional cooking center with gas, ceramic or induction hob.

Smeg cooking centers can be installed between the kitchen units, as an alternative to the built-in appliances. Excellent heat insulation and outer cooling system prevent the sides of Smeg cookers from overheating.



**BUILDING IN**

## OVENS

# *high performance*

The new cooker with a net volume of 115 litres (gross volume - 126 litres) is one of the most spacious in its class. It is suitable not only for big families, but also for those who want to optimize the cooking time and cook more meals simultaneously without mixing tastes and flavors.



### ISOTHERMIC CAVITY

The welded cavity, without any screws, the special geometry and the "easy clean" enamelling ensure maximum insulation and even temperature inside the oven. Furthermore, thanks to this, the oven reaches the best results of energy efficiency.



### EXTRA VOLUME

Smeg cookers have ovens with very spacious cavities. In a 90 cm wide cooker, the oven reaches a net volume of 115 litres.

### THREE FANS

Cookers 90 cm wide can have cavities with three fans. This ensures evenly distribution of hot air inside the cavity and perfect cooking conditions.

### TANGENTIAL COOLING SYSTEM

The fresh forced air recirculation system keeps the sides and the door of the cooker cool, ensuring greater safety and a longer lifetime for your appliance. The cooling system remains in operation for some time even when cooking is finished, continuing to function with the oven switched off, so as to dissipate the heat that has accumulated inside the cooker.

### PIZZA STONE

A wide refractory stone allows you to quickly cook pizza, bread, rolls, fish and vegetables. Upon reaching the required temperature, it will take you only 4 minutes to cook a pizza.



# HOBS

## *electric*

### INDUCTION HOBS

Safe and energy efficient technology for cooking quickly and easily the most complex and delicious meals.

### CERAMIC HOBS

Ceramic hobs with easy to clean surface offer a versatile cooking experience and are equipped with automatic switch off and residual heat indicators.



## *gas*

Special cast iron ring WOK will be certainly appreciated by those who enjoy Oriental cuisine.

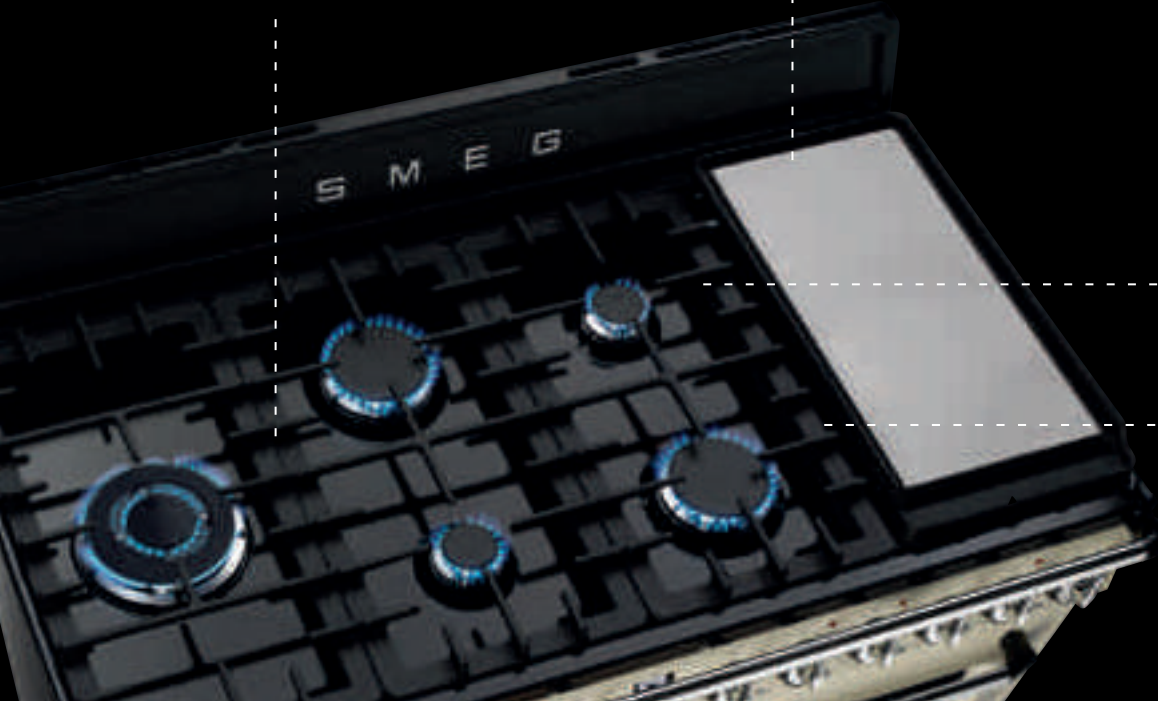
Stainless steel Teppan Yaki grill offers additional cooking options.

### OPTIONAL ACCESSORIES

All smeg cookers have cooktops specifically designed to prevent any overflow of liquids (up to 4.5 litres in the 90 cm wide) in order to protect the cabinet and the floor in case of spillage from the cookware.



Heavy cast iron pan stands guarantee maximum stability and reliability.



## EXCELLENCE AS A STANDARD

# *different cooking principles*



### FAN

The heating is evenly distributed in all the cavity to cook a number of dishes, simultaneously, without flavour transfer, creating a complete menu and, at the same time, efficiently saving time and energy.



### CIRCULAIRE

The combination of the fan and circular heating element provides many benefits including no need of pre-heating if cooking time is more than 20 minutes, no flavor transfer when cooking different foods at the same time, less energy needed and shorter cook times.



### TURBO

It combines the action of the fan with the top, bottom and circular heating elements to allow food to cook rapidly and efficiently. It is recommended for large quantities of food that require intense cooking.

# *smart solutions*



### LOW ENERGY CONSUMPTION

Most ovens in Smeg cookers are A+ energy rated, designed to perform at **maximum efficiency** while reducing energy consumption to the minimum.



### EASILY REMOVABLE TELESCOPIC GUIDES

Telescopic guides allow you to pull out the trays from the oven, without keeping them suspended, enhancing safety and easy of use.



### 5 COOKING LEVELS

Most of the ovens have five different cooking levels.

## A5-8

COOKER, 150X60 CM, OPERA, STAINLESS STEEL, GAS HOBS

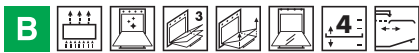


### HOBS:



- Gas hobs
- 7 cooking zones
- Matt black enamelled burner caps
- Cast iron pan stands
- Safety valves
- Automatic switch off when overflow
- 1 wok stand

### MAIN OVEN:



- Tangential cooling system
- Closed door grilling
- Analogic-digital display
- Electronic timer with start and end of cooking
- Acoustic alarm
- Cleaning function catalysis
- Temperature: from 50 to 250 °C
- Lighting when door is opened
- 2 lamps, power 25 W
- Metal racks, 4 cooking levels
- Electric grill
- 2 thermoreflecting door glasses
- Removable inner door
- Safety valves
- Frequency: 50/60 Hz
- Gas hobs
- Voltage: 220-240 V
- 2 baking trays, maxi oven
- 3 catalytic panels
- 2 oven grids with back and side stop
- 1 rotisserie kit

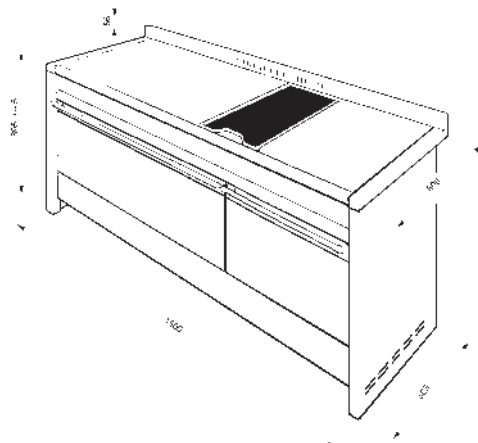
### SECONDARY OVEN:



- Tangential cooling system
- Closed door grilling
- Electronic timer with end of cooking
- Acoustic alarm
- Temperature: from 50 to 300 °C
- Lighting when door is opened
- 1 halogen lamp, power 40 W
- Metal racks, 4 cooking levels
- Electric grill
- 2 thermoreflecting door glasses
- 3 catalytic panels
- 1 insert grill mesh
- 1 oven grid with back and side stop
- Refractory stone + cover + shovel
- 1 tray 40 mm deep
- Closed door grilling

Warming drawer

- Frequency: 50/60 Hz
- Current: 34 Amp
- Voltage: 220-240 V
- Voltage 2 (V): 380-415 V
- Electrical connection rating: 7700 W
- Gas connection rating (W): 17600 W





## A4-8

COOKER, 120X60 CM, OPERA, STAINLESS STEEL, GAS HOBS

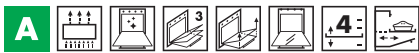


### HOBS:



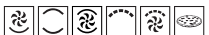
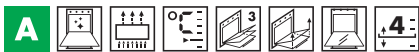
Gas hobs  
6 cooking zones plus griddle  
Matt black enamelled burner caps  
Cast iron pan stands  
Safety valves  
Automatic switch off when overflow  
1 wok stand

### MAIN OVEN:



Tangential cooling system  
Closed door grilling  
Analogic-digital display  
Electronic timer with start and end of cooking  
Acoustic alarm  
Temperature: from 50 to 250 °C  
Lighting when door is opened  
1 halogen lamp, power 40 W  
Metal racks, 4 cooking levels  
Electric grill  
1 thermoreflecting door glass  
Safety valves  
Frequency: 50/60 Hz  
Gas hobs  
Voltage: 220-240 V  
2 trays 40 mm deep  
3 catalytic panels  
1 insert grill mesh  
2 oven grids with back and side stop  
1 rotisserie kit

### SECONDARY OVEN:



Tangential cooling system  
Closed door grilling  
Minute minder  
Acoustic alarm  
Temperature: from 50 to 300 °C  
Lighting when door is opened  
1 halogen lamp, power 40 W  
Metal racks, 4 cooking levels  
Electric grill  
1 thermoreflecting door glass  
3 catalytic panels  
1 insert grill mesh  
1 oven grid with back and side stop  
Refractory stone + cover + shovel  
1 tray 40 mm deep  
Closed door grilling

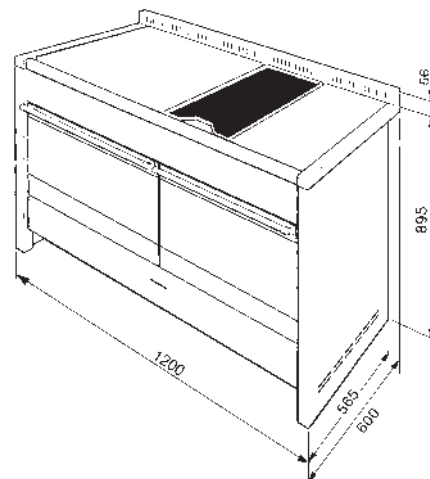
## A4BL-8

COOKER, 120X60 CM, OPERA, BLACK, GAS HOBS



Warming drawer

Frequency: 50/60 Hz  
Current: 33 Amp  
Voltage: 220-240 V  
Voltage 2 (V): 380-415 V  
Electrical connection rating: 7500 W  
Gas connection rating (W): 13000 W





## A3-81

COOKER, 120X60 CM, OPERA, STAINLESS STEEL,  
GAS HOBS

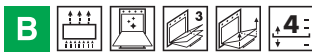


### HOBS:



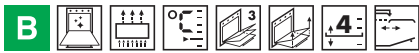
Gas hobs  
6 cooking zones  
Matt black enamelled burner caps  
Cast iron pan stands  
Safety valves  
1 wok stand

### MAIN OVEN:



Tangential cooling system  
Closed door grilling  
Electronic timer with start and end of cooking  
Acoustic alarm  
Temperature: from 50 to 250 °C  
Lighting when door is opened  
2 lamps, power 25 W  
Metal racks, 4 cooking levels  
Electric grill  
2 thermoreflecting door glasses  
Safety valves  
Frequency: 50/60 Hz  
Gas hobs  
Voltage: 220-240 V  
2 baking trays, maxi oven  
2 oven grids with back and side stop

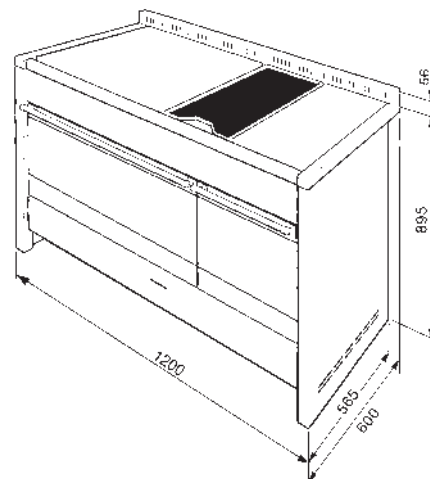
### SECONDARY OVEN:



Tangential cooling system  
Closed door grilling  
Temperature: from 50 to 220 °C  
Lighting when door is opened  
1 lamp, power 25 W  
Metal racks, 4 cooking levels  
Roof liner  
Electric grill  
2 thermoreflecting door glasses  
1 baking tray, maxi oven  
1 insert grill mesh  
1 oven grid with back and side stop  
1 rotisserie kit  
Closed door grilling

Warming drawer

Frequency: 50/60 Hz  
Current: 30 Amp  
Voltage: 220-240 V  
Voltage 2 (V): 380-415 V  
Electrical connection rating: 6800 W  
Gas connection rating (W): 13000 W



## A2-8

COOKER, 100X60 CM, OPERA, STAINLESS STEEL, GAS HOBS



### HOBS:



Gas hobs  
6 cooking zones  
Matt black enamelled burner caps  
Cast iron pan stands  
Safety valves  
1 wok stand

### MAIN OVEN:



Tangential cooling system  
Closed door grilling  
Analogic-digital display  
Electronic timer with start and end of cooking  
Acoustic alarm  
Cleaning function catalysis  
Temperature: from 50 to 250 °C  
Lighting when door is opened  
1 halogen lamp, power 40 W  
Metal racks, 4 cooking levels  
Electric grill  
2 thermoreflecting door glasses  
Removable inner door  
Safety valves  
Frequency: 50/60 Hz  
Gas hobs  
Voltage: 220-240 V  
1 tray 20 mm deep  
1 tray 40 mm deep  
3 catalytic panels  
1 insert grill mesh  
1 oven grid with back and side stop

### SECONDARY OVEN:



Tangential cooling system  
Closed door grilling  
Temperature: from 50 to 250 °C  
Lighting when door is opened  
1 lamp, power 25 W  
Metal racks, 4 cooking levels  
Roof liner  
Electric grill  
2 thermoreflecting door glasses  
1 baking tray, maxi oven  
1 insert grill mesh  
1 oven grid with back and side stop  
1 rotisserie kit

## A2BL-8

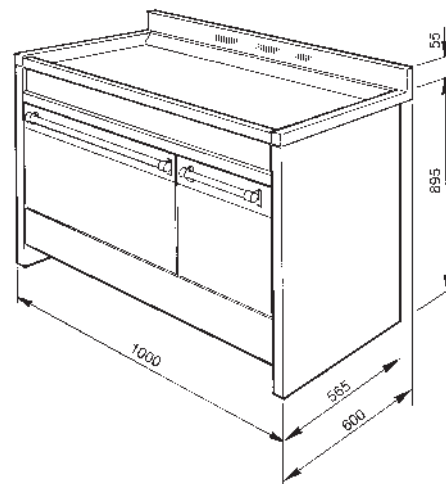
COOKER, 100X60 CM, OPERA, BLACK, GAS HOBS



Closed door grilling

Warming drawer

Frequency: 50/60 Hz  
Current: 23 Amp  
Voltage: 220-240 V  
Voltage 2 (V): 380-415 V  
Electrical connection rating: 5300 W  
Gas connection rating (W): 16050 W





Bosch

## A1-9

COOKER, 90X60 CM, OPERA, STAINLESS STEEL, GAS HOBS



### HOBS:



Gas hobs  
6 cooking zones  
Matt black enamelled burner caps  
Cast iron pan stands  
Safety valves  
1 wok cast iron stand

### MAIN OVEN:



Tangential cooling system  
Closed door grilling  
Electronic timer with start and end of cooking  
Acoustic alarm  
Cleaning function catalysis  
Temperature: from 50 to 280 °C  
Automatic switch-off when door is open  
Lighting when door is opened  
2 halogen lamps, power 40 W  
Metal racks, 5 cooking levels  
Electric grill  
2 thermoreflecting door glasses  
Removable inner door  
Safety valves  
Frequency: 50/60 Hz  
Gas hobs  
Voltage: 220-240 V  
2 trays 40 mm deep  
3 catalytic panels  
1 insert grill mesh  
2 oven grids with back and side stop  
1 rotisserie kit  
Closed door grilling  
Closed door grilling

Warming drawer

Frequency: 50/60 Hz  
Current: 14 Amp  
Voltage: 220-240 V  
Electrical connection rating: 3200 W  
Gas connection rating (W): 14500 W

## A1BL-9

COOKER, 90X60 CM, OPERA, BLACK, GAS HOBS

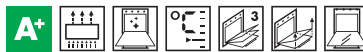


### HOBS:



Gas hobs  
6 cooking zones  
Matt black enamelled burner caps  
Cast iron pan stands  
Safety valves  
1 wok cast iron stand

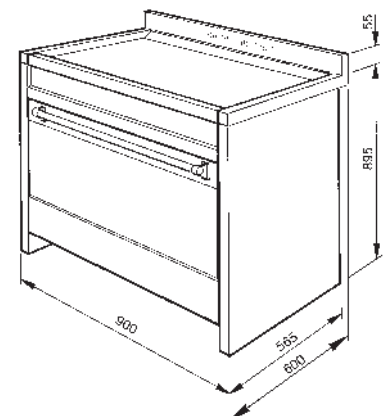
### MAIN OVEN:



Tangential cooling system  
Closed door grilling  
Electronic timer with start and end of cooking  
Acoustic alarm  
Cleaning function catalysis  
Temperature: from 50 to 280 °C  
Automatic switch-off when door is open  
Lighting when door is opened  
2 halogen lamps, power 40 W  
Metal racks, 5 cooking levels  
Electric grill  
2 thermoreflecting door glasses  
Removable inner door  
Safety valves  
Frequency: 50/60 Hz  
Gas hobs  
Voltage: 220-240 V  
2 trays 40 mm deep  
3 catalytic panels  
1 insert grill mesh  
2 oven grids with back and side stop  
1 rotisserie kit  
Closed door grilling  
Closed door grilling

Warming drawer

Frequency: 50/60 Hz  
Current: 14 Amp  
Voltage: 220-240 V  
Electrical connection rating: 3200 W  
Gas connection rating (W): 14500 W



## A1A-9

COOKER, 90X60 CM, OPERA, ANTHRACITE,  
GAS HOBS

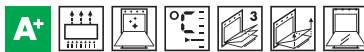


### HOBS:



Gas hobs  
6 cooking zones  
Matt black enamelled burner caps  
Cast iron pan stands  
Safety valves  
1 wok cast iron stand

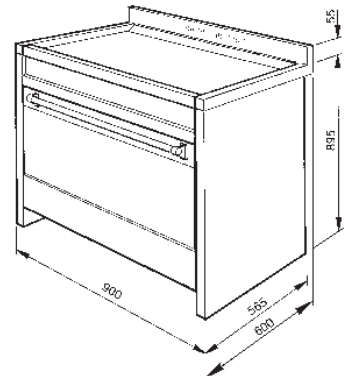
### MAIN OVEN:



Tangential cooling system  
Closed door grilling  
Electronic timer with start and end of cooking  
Acoustic alarm  
Cleaning function catalysis  
Temperature: from 50 to 280 °C  
Automatic switch-off when door is open  
Lighting when door is opened  
2 halogen lamps, power 40 W  
Metal racks, 5 cooking levels  
Electric grill  
2 thermoreflecting door glasses  
Removable inner door  
Safety valves  
Frequency: 50/60 Hz  
Gas hobs  
Voltage: 220-240 V  
2 trays 40 mm deep  
3 catalytic panels  
1 insert grill mesh  
2 oven grids with back and side stop  
1 rotisserie kit  
Closed door grilling  
Closed door grilling

Warming drawer

Frequency: 50/60 Hz  
Current: 14 Amp  
Voltage: 220-240 V  
Electrical connection rating: 3200 W  
Gas connection rating (W): 14500 W



## A1PY-9

COOKER, 90X60 CM, OPERA, STAINLESS STEEL, GAS HOBS



### HOBS:



Gas hobs  
6 cooking zones  
Matt black enamelled burner caps  
Cast iron pan stands  
Safety valves  
1 wok cast iron stand

### MAIN OVEN:



Tangential cooling system  
Closed door grilling  
Electronic timer with start and end of cooking  
Acoustic alarm  
Cleaning function pyrolytic  
Temperature: from 50 to 280 °C  
Automatic switch-off when door is open  
Door lock during pyrolysis  
Lighting when door is opened  
Metal racks, 5 cooking levels  
Electric grill  
3 thermoreflecting door glasses  
Removable inner door  
Safety valves  
Frequency: 50/60 Hz  
Gas hobs  
Voltage: 220-240 V  
2 trays 40 mm deep  
1 insert grill mesh  
2 oven grids with back and side stop  
1 rotisserie kit  
Closed door grilling  
Closed door grilling

### Warming drawer

Frequency: 50/60 Hz  
Current: 18 Amp  
Voltage: 220-240 V  
Voltage 2 (V): 380-415 V  
Electrical connection rating: 4000 W  
Gas connection rating (W): 14500 W

## A1PYID-9

COOKER, 90X60 CM, OPERA, STAINLESS STEEL, INDUCTION HOBS

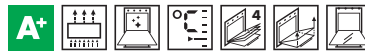


### HOBS:



Induction hobs  
5 cooking zones  
Automatic switch off when overheat  
Minimum pan ø indication  
1 scraper

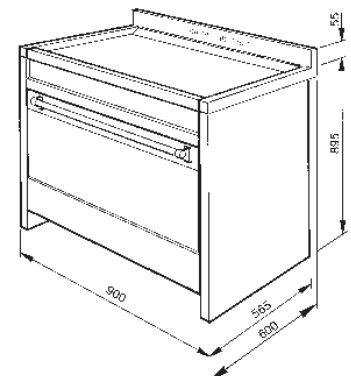
### MAIN OVEN:



Tangential cooling system  
Closed door grilling  
Electronic timer with start and end of cooking  
Acoustic alarm  
Cleaning function pyrolytic  
Temperature: from 50 to 280 °C  
Lighting when door is opened  
Metal racks, 5 cooking levels  
Electric grill  
1 thermoreflecting door glass  
Removable inner door  
Frequency: 50/60 Hz  
Induction hobs  
Voltage: 220-240 V  
2 trays 40 mm deep  
1 insert grill mesh  
2 oven grids with back and side stop  
1 rotisserie kit  
Closed door grilling  
Closed door grilling

### Warming drawer

Frequency: 50/60 Hz  
Current: 50 Amp  
Voltage: 220-240 V  
Voltage 2 (V): 380-415 V  
Electrical connection rating: 11400 W





## CPF9GMYW

COOKER, 90X60 CM, YELLOW, PORTOFINO ,  
GAS HOBS



### HOBS:



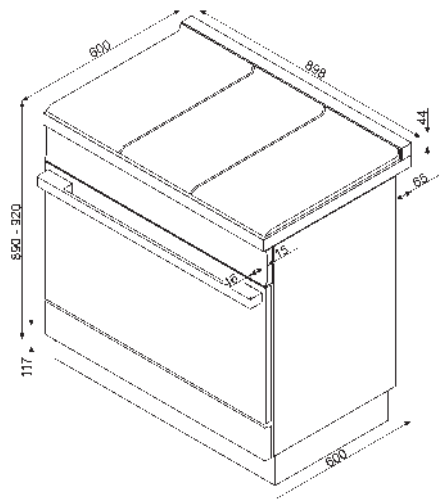
Gas hobs  
6 cooking zones  
Matt black enamelled burner caps  
Cast iron pan stands  
Safety valves  
1 wok cast iron stand

### MAIN OVEN:



Tangential cooling system  
Closed door grilling  
Electronic timer with start and end of cooking  
Acoustic alarm  
Cleaning function vapor clean  
Temperature: from 50 to 260 °C  
Automatic switch-off when door is open  
Lighting when door is opened  
2 halogen lamps, power 40 W  
Metal racks, 5 cooking levels  
Electric grill  
2 thermorelecting door glasses  
Removable inner door  
Safety valves  
Frequency: 50/60 Hz  
Gas hobs  
Voltage: 220-240 V  
1 tray 20 mm deep  
1 tray 40 mm deep  
1 insert grill mesh  
1 oven grid with back and side stop  
Closed door grilling  
Closed door grilling

Frequency: 50/60 Hz  
Current: 14 Amp  
Voltage: 220-240 V  
Electrical connection rating: 3200 W  
Gas connection rating (W): 12600 W





**CPF9GMAN**

COOKER, 90X60 CM, PORTOFINO , ANTHRACITE, GAS HOBS



**CPF9GMBL**

COOKER, 90X60 CM, PORTOFINO , BLACK, GAS HOBS



**CPF9GMOG**

COOKER, 90X60CM, OLIVE GREEN, PORTOFINO , GAS HOBS



**CPF9GMOR**

COOKER, 90X60 CM , ORANGE, PORTOFINO , GAS HOBS



**CPF9GMR**

COOKER, 90X60 CM, PORTOFINO , RED, GAS HOBS



**CPF9GMWH**

COOKER, 90X60 CM, PORTOFINO , WHITE, GAS HOBS



**CPF9GMX**

COOKER, 90X60 CM, PORTOFINO , STAINLESS STEEL, GAS HOBS



## CPF9GPR

COOKER, 90X60 CM, PORTOFINO , TITANIUM,  
GAS HOBS

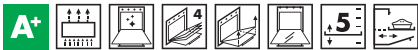


### HOBS:



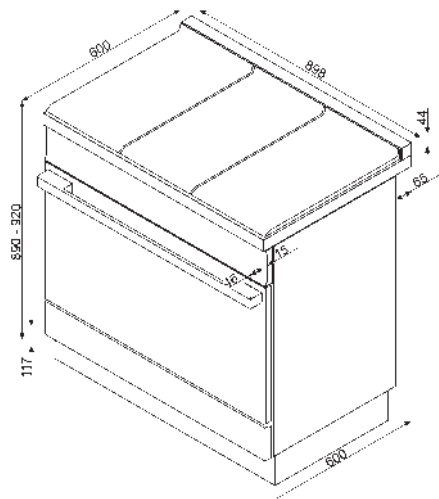
Gas hobs  
6 cooking zones  
Matt black enamelled burner caps  
Cast iron pan stands  
Safety valves  
1 wok cast iron stand

### MAIN OVEN:



Tangential cooling system  
Closed door grilling  
Electronic timer with start and end of cooking  
Acoustic alarm  
Cleaning function pyrolytic  
Temperature: from 50 to 260 °C  
Automatic switch-off when door is open  
Door lock during pyrolysis  
Lighting when door is opened  
Metal racks, 5 cooking levels  
Electric grill  
3 thermoreflecting door glasses  
Removable inner door  
Safety valves  
Frequency: 50/60 Hz  
Gas hobs  
Voltage: 220-240 V  
2 trays 40 mm deep  
1 insert grill mesh  
2 oven grids with back and side stop  
1 rotisserie kit  
Closed door grilling  
Closed door grilling

Frequency: 50/60 Hz  
Current: 18 Amp  
Voltage: 220-240 V  
Voltage 2 (V): 380-415 V  
Electrical connection rating: 4000 W  
Gas connection rating (W): 12600 W



### CPF9GPAN

COOKER, 90X60 CM, PORTOFINO , ANTHRACITE, GAS HOBS



### CPF9GPBL

COOKER, 90X60 CM, PORTOFINO , BLACK, GAS HOBS



### CPF9GPOG

COOKER, 90X60 CM, PORTOFINO , GAS HOBS



### CPF9GPOR

COOKER, 90X60 CM, PORTOFINO , GAS HOBS



### CPF9GPX

COOKER, 90X60 CM, PORTOFINO , STAINLESS STEEL, GAS HOBS



### CPF9GPWH

COOKER, 90X60 CM, PORTOFINO , WHITE, GAS HOBS



### CPF9GPYW

COOKER, 90X60 CM, PORTOFINO , GAS HOBS

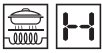


## CPF91PWH

COOKER, 90X60 CM, PORTOFINO , WHITE,  
INDUCTION HOBS



### HOBS:



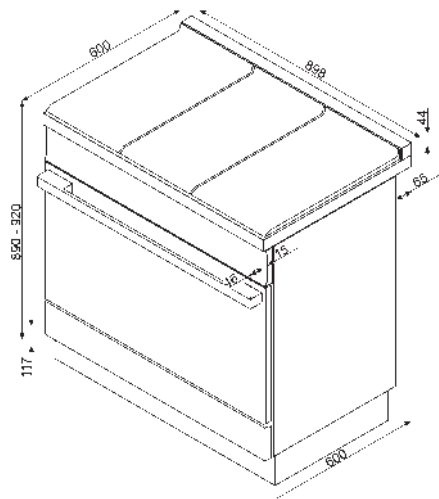
Induction hobs  
5 cooking zones  
Automatic switch off when overheat  
Minimum pan ø indication  
1 scraper

### MAIN OVEN:



Tangential cooling system  
Closed door grilling  
Electronic timer with start and end of cooking  
Acoustic alarm  
Cleaning function pyrolytic  
Temperature: from 50 to 260 °C  
Automatic switch-off when door is open  
Door lock during pyrolysis  
Lighting when door is opened  
Metal racks, 5 cooking levels  
Electric grill  
3 thermoreflecting door glasses  
Removable inner door  
Frequency: 50/60 Hz  
Induction hobs  
Voltage: 220-240 V  
2 trays 40 mm deep  
1 insert grill mesh  
2 oven grids with back and side stop  
1 rotisserie kit  
Closed door grilling  
Closed door grilling

Frequency: 50/60 Hz  
Current: 50 Amp  
Voltage: 220-240 V  
Voltage 2 (V): 380-415 V  
Electrical connection rating: 11400 W



**CPF9IPAN**

COOKER, 90X60 CM, PORTOFINO , ANTHRACITE, INDUCTION HOBS



**CPF9IPBL**

COOKER, 90X60 CM, PORTOFINO , BLACK, INDUCTION HOBS



**CPF9IPOG**

COOKER, 90X60 CM, PORTOFINO , INDUCTION HOBS



**CPF9IPOR**

COOKER, 90X60 CM, PORTOFINO , INDUCTION HOBS



**CPF9IPR**

COOKER, 90X60 CM, PORTOFINO , TITANIUM, INDUCTION HOBS



**CPF9IPX**

COOKER, 90X60 CM, PORTOFINO , STAINLESS STEEL, INDUCTION HOBS



**CPF9IPYW**

COOKER, 90X60 CM, PORTOFINO , INDUCTION HOBS



## TR4110RW1

COOKER, 110X60 CM, VICTORIA, RED WINE, GAS HOBS



### HOBS:



Gas hobs  
7 cooking zones  
Matt black enamelled burner caps  
Cast iron pan stands  
Safety valves  
1 wok cast iron stand

### MAIN OVEN:



Tangential cooling system  
Closed door grilling  
Electronic 5 buttons  
Electronic timer with start and end of cooking  
Acoustic alarm  
Cleaning function vapor clean  
Temperature: from 50 to 260 °C  
1 halogen lamp, power 40 W  
Metal racks, 4 cooking levels  
Electric grill  
1 thermoreflecting door glass  
Removable inner door  
Safety valves  
Frequency: 50/60 Hz  
Gas hobs  
Vapor clean  
Voltage: 220-240 V  
1 tray 40 mm deep  
1 insert grill mesh  
2 oven grids with back and side stop

### SECONDARY OVEN:



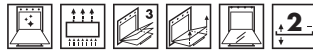
Tangential cooling system  
Closed door grilling  
Temperature: from 50 to 260 °C  
1 halogen lamp, power 40 W  
Metal racks, 4 cooking levels  
Electric grill  
1 thermoreflecting door glass  
1 insert grill mesh  
2 oven grids with back and side stop  
1 tray 40 mm deep

## TR4110S1

COOKER, 110X60 CM, VICTORIA, SILVER, GAS HOBS



### AUXILIARY OVEN:



Tangential cooling system  
Temperature: from 50 to 260 °C  
1 lamp, power 25 W  
Electric grill  
Metal racks, 2 cooking levels  
1 thermoreflecting door glass  
Closed door grilling

Warming drawer

Frequency: 50/60 Hz  
Current: 37 Amp  
Voltage: 220-240 V  
Voltage 2 (V): 380-415 V  
Electrical connection rating: 8400 W  
Gas connection rating (W): 15600 W

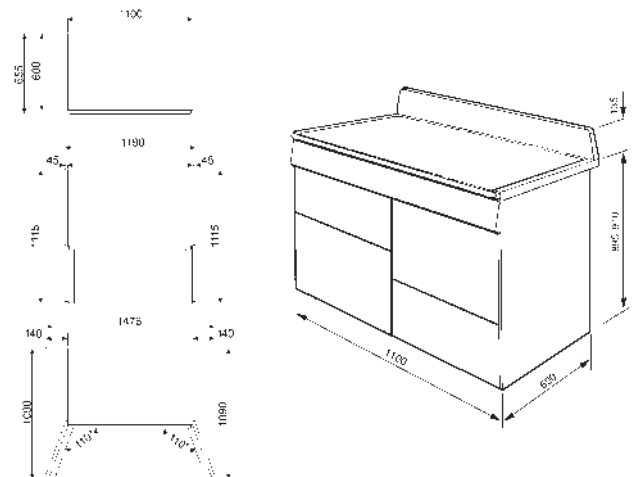
## TR4110AZ

COOKER, 110X60 CM, VICTORIA, PASTEL BLUE, GAS HOBS



## TR4110RO

COOKER, 110X60 CM, VICTORIA, PINK, GAS HOBS





## TR4110P1

COOKER, 110X60 CM, VICTORIA, CREAM, GAS HOBS

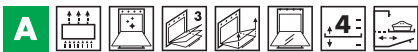


### HOBS:



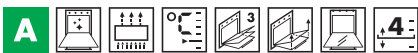
Gas hobs  
7 cooking zones  
Matt black enamelled burner caps  
Cast iron pan stands  
Safety valves  
1 wok cast iron stand

### MAIN OVEN:



Tangential cooling system  
Closed door grilling  
Electronic 5 buttons  
Electronic timer with start and end of cooking  
Acoustic alarm  
Cleaning function vapor clean  
Temperature: from 50 to 260 °C  
1 halogen lamp, power 40 W  
Metal racks, 4 cooking levels  
Electric grill  
1 thermoreflecting door glass  
Removable inner door  
Safety valves  
Frequency: 50/60 Hz  
Gas hobs  
Vapor clean  
Voltage: 220-240 V  
1 tray 40 mm deep  
1 insert grill mesh  
2 oven grids with back and side stop

### SECONDARY OVEN:



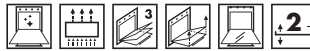
Tangential cooling system  
Closed door grilling  
Temperature: from 50 to 260 °C  
1 halogen lamp, power 40 W  
Metal racks, 4 cooking levels  
Electric grill  
1 thermoreflecting door glass  
1 insert grill mesh  
2 oven grids with back and side stop  
1 tray 40 mm deep

## TR4110BL1

COOKER, 110X60 CM, VICTORIA, BLACK, GAS HOBS



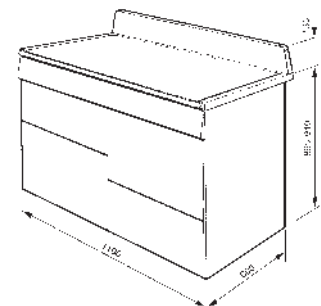
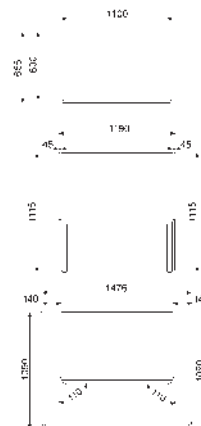
### AUXILIARY OVEN:



Tangential cooling system  
Temperature: from 50 to 260 °C  
1 lamp, power 25 W  
Electric grill  
Metal racks, 2 cooking levels  
1 thermoreflecting door glass  
Closed door grilling

Warming drawer

Frequency: 50/60 Hz  
Current: 37 Amp  
Voltage: 220-240 V  
Voltage 2 (V): 380-415 V  
Electrical connection rating: 8400 W  
Gas connection rating (W): 15600 W





## TR93BL

COOKER, 90X60 CM, VICTORIA, BLACK, GAS HOBS



### HOBS:



Gas hobs  
6 cooking zones  
Matt black enamelled burner caps  
Cast iron pan stands  
Safety valves  
1 moka iron stand  
1 wok cast iron stand

### MAIN OVEN:



Tangential cooling system  
Closed door grilling  
Electronic 5 buttons  
Electronic timer with start and end of cooking  
Acoustic alarm  
Cleaning function vapor clean  
Temperature: from 50 to 260 °C  
1 halogen lamp, power 40 W  
Metal racks, 4 cooking levels  
Electric grill  
1 thermoreflecting door glass  
Removable inner door  
Safety valves  
Frequency: 50/60 Hz  
Gas hobs  
Voltage: 220-240 V  
1 tray 40 mm deep  
1 insert grill mesh  
2 oven grids with back and side stop

### SECONDARY OVEN:



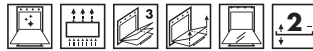
Energy consumption: up to 10% less energy than class A  
Tangential cooling system  
Closed door grilling  
Temperature: from 50 to 245 °C  
1 halogen lamp, power 40 W  
Metal racks, 9 cooking levels  
1 thermoreflecting door glass  
4 grids with back stop

## TR93P

COOKER, 90X60 CM, VICTORIA, CREAM, GAS HOBS



### AUXILIARY OVEN:

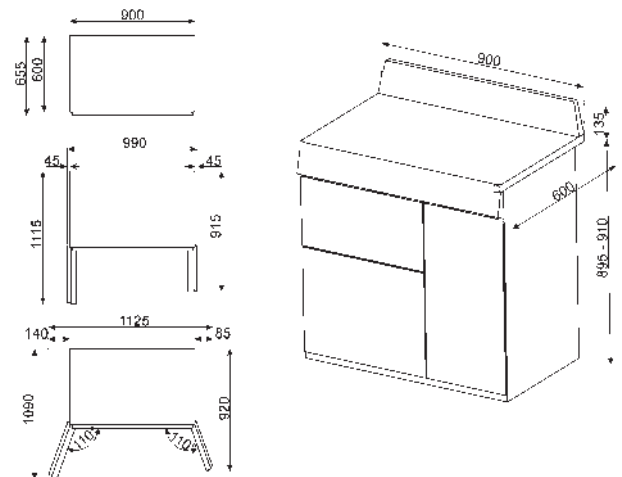


Tangential cooling system  
Temperature: from 50 to 260 °C  
1 halogen lamp, power 40 W  
Electric grill  
Metal racks, 2 cooking levels  
1 thermoreflecting door glass  
Closed door grilling

Frequency: 50/60 Hz  
Current: 36 Amp  
Voltage: 220-240 V  
Voltage 2 (V): 380-415 V  
Electrical connection rating: 8300 W  
Gas connection rating (W): 12700 W

## TR93X

COOKER, 90X60 CM, VICTORIA, STAINLESS STEEL, GAS HOBS



## TR90IBL9

COOKER, 90X60 CM, VICTORIA, BLACK, INDUCTION HOBS



## TR90IP9

COOKER, 90X60 CM, VICTORIA, CREAM, INDUCTION HOBS



## TR90IX9

COOKER, 90X60 CM, VICTORIA, STAINLESS STEEL, INDUCTION HOBS



### HOBS:



Induction hobs  
5 cooking zones  
Automatic switch off when overheat  
Minimum pan ø indication  
1 scraper

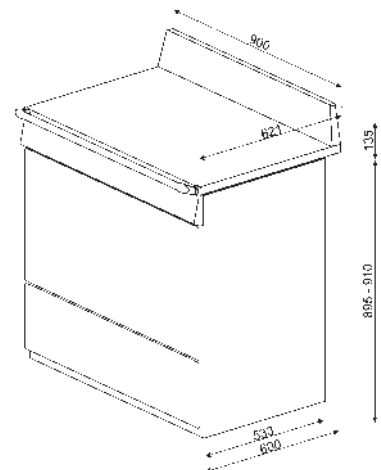
### MAIN OVEN:



Tangential cooling system  
Closed door grilling  
Electronic 5 buttons  
Electronic timer with start and end of cooking  
Acoustic alarm  
Cleaning function vapor clean  
Temperature: from 50 to 260 °C  
Lighting when door is opened  
2 halogen lamps, power 40 W  
Metal racks, 5 cooking levels  
Electric grill  
2 thermoreflecting door glasses  
Removable inner door  
Frequency: 50 Hz  
Induction hobs  
Voltage: 220-240 V  
2 trays 40 mm deep  
3 catalytic panels  
1 insert grill mesh  
2 oven grids with back and side stop  
1 rotisserie kit  
Closed door grilling  
Closed door grilling

Warming drawer

Frequency: 50 Hz  
Current: 63 Amp  
Voltage: 220-240 V  
Voltage 2 (V): 380-415 V  
Electrical connection rating: 14300 W





## TR90P9

COOKER, 90X60 CM, VICTORIA, CREAM,  
GAS HOBS



## TR90BL9

COOKER, 90X60 CM, VICTORIA, BLACK,  
GAS HOBS



## TR90X9

COOKER, 90X60 CM, VICTORIA, STAINLESS  
STEEL, GAS HOBS



### HOBS:



Gas hobs  
5 cooking zones  
Matt black enamelled burner caps  
Cast iron pan stands  
Safety valves  
1 moka iron stand  
1 wok cast iron stand

Frequency: 50/60 Hz  
Gas hobs  
Voltage: 220-240 V

Frequency: 50/60 Hz  
Gas hobs  
Voltage: 220-240 V

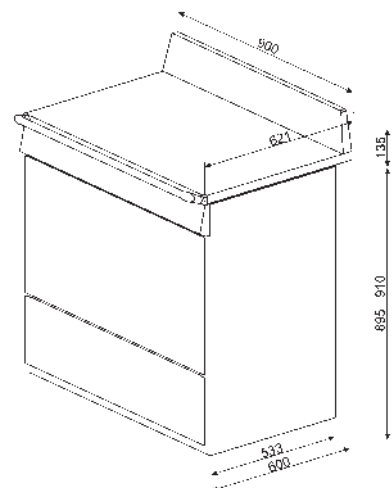
### MAIN OVEN:



Tangential cooling system  
Closed door grilling  
Electronic 5 buttons  
Electronic timer with start and end of cooking  
Acoustic alarm  
Cleaning function catalysis  
Temperature: from 50 to 260 °C  
Lighting when door is opened  
2 halogen lamps, power 40 W  
Metal racks, 5 cooking levels  
Electric grill  
2 thermorelecting door glasses  
Removable inner door  
Safety valves  
Frequency: 50/60 Hz  
Gas hobs  
Voltage: 220-240 V  
2 trays 40 mm deep  
3 catalytic panels  
1 insert grill mesh  
2 oven grids with back and side stop  
1 rotisserie kit  
Closed door grilling  
Closed door grilling

Warming drawer

Frequency: 50/60 Hz  
Current: 14 Amp  
Voltage: 220-240 V  
Electrical connection rating: 3200 W  
Gas connection rating (W): 12500 W





## BU93BL

COOKER, 90X60 CM, VICTORIA, BLACK, GAS HOBS



### HOBS:



Gas hobs  
5 cooking zones  
Matt black enamelled burner caps  
Cast iron pan stands  
Safety valves

### MAIN OVEN:



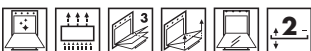
Tangential cooling system  
Closed door grilling  
Electronic 5 buttons  
Electronic timer with start and end of cooking  
Acoustic alarm  
Temperature: from 50 to 245 °C  
1 halogen lamp, power 40 W  
Metal racks, 4 cooking levels  
1 thermorelecting door glass  
Removable inner door  
Safety valves  
Frequency: 50/60 Hz  
Gas hobs  
Voltage: 220-240 V  
2 oven grids with back and side stop

### SECONDARY OVEN:



Tangential cooling system  
Closed door grilling  
Temperature: from 50 to 245 °C  
Metal racks, 9 cooking levels  
1 thermorelecting door glass  
4 grids with back stop

### AUXILIARY OVEN:



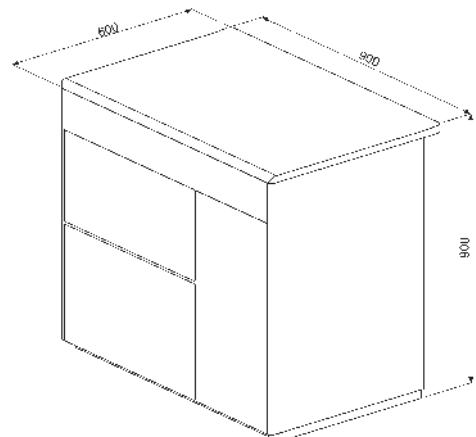
Tangential cooling system  
Temperature: from 50 to 260 °C  
Electric grill  
Metal racks, 2 cooking levels  
1 thermorelecting door glass  
Closed door grilling

## BU93P

COOKER, 90X60 CM, VICTORIA, CREAM, GAS HOBS



Frequency: 50/60 Hz  
Gas hobs  
Voltage: 220-240 V



## BM93IBL

COOKER, 90X60 CM, VICTORIA, BLACK, INDUCTION HOBS



### HOBS:



Induction hobs  
5 cooking zones  
1 scraper

### MAIN OVEN:



Tangential cooling system  
Closed door grilling  
Electronic 5 buttons  
Electronic timer with start and end of cooking  
Acoustic alarm  
Cleaning function vapor clean  
Temperature: from 50 to 260 °C  
1 halogen lamp, power 40 W  
Metal racks, 4 cooking levels  
1 thermoreflecting door glass  
Removable inner door  
Frequency: 50 Hz  
Induction hobs  
Voltage: 220-240 V  
2 oven grids with back and side stop

### SECONDARY OVEN:



Tangential cooling system  
Closed door grilling  
Temperature: from 50 to 245 °C  
Metal racks, 9 cooking levels  
1 thermoreflecting door glass  
4 grids with back stop

### AUXILIARY OVEN:



Tangential cooling system  
Temperature: from 50 to 260 °C  
Electric grill  
Metal racks, 2 cooking levels  
1 thermoreflecting door glass  
Closed door grilling

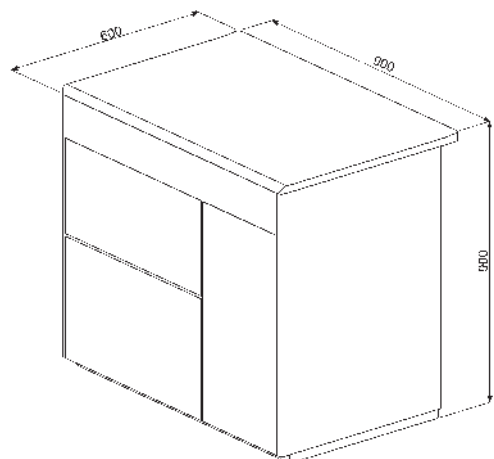
Frequency: 50 Hz  
Current: 85 Amp  
Voltage: 220-240 V  
Voltage 2 (V): 380-415 V

## BM93IP

COOKER, 90X60 CM, VICTORIA, CREAM, INDUCTION HOBS



Frequency: 50 Hz  
Induction hobs  
Voltage: 220-240 V



## BM93BL

COOKER, 90X60 CM, VICTORIA, BLACK, GAS HOBS



### HOBS:



Gas hobs  
5 cooking zones  
Matt black enamelled burner caps  
Cast iron pan stands  
Safety valves

### MAIN OVEN:



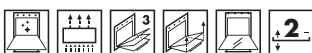
Tangential cooling system  
Closed door grilling  
Electronic 5 buttons  
Electronic timer with start and end of cooking  
Acoustic alarm  
Temperature: from 50 to 245 °C  
1 halogen lamp, power 40 W  
Metal racks, 4 cooking levels  
1 thermoreflecting door glass  
Removable inner door  
Safety valves  
Frequency: 50/60 Hz  
Gas hobs  
Voltage: 220-240 V  
2 oven grids with back and side stop

### SECONDARY OVEN:



Tangential cooling system  
Closed door grilling  
Temperature: from 50 to 245 °C  
Metal racks, 9 cooking levels  
1 thermoreflecting door glass  
4 grids with back stop

### AUXILIARY OVEN:



Tangential cooling system  
Temperature: from 50 to 260 °C  
Electric grill  
Metal racks, 2 cooking levels  
1 thermoreflecting door glass  
Closed door grilling

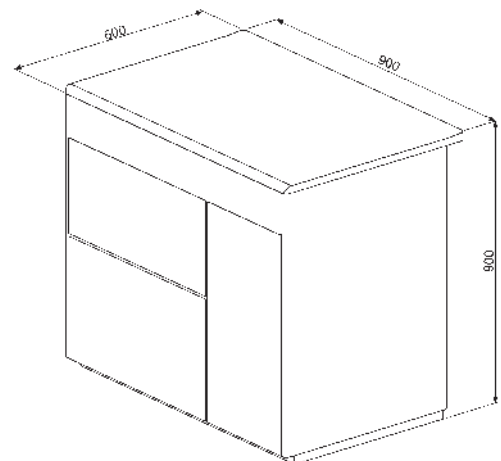
Frequency: 50/60 Hz  
Current: 32 Amp

## BM93P

COOKER, 90X60 CM, VICTORIA, CREAM, GAS HOBS



Frequency: 50/60 Hz  
Gas hobs  
Voltage: 220-240 V







## TR62IBL

COOKER, 60X60 CM, VICTORIA, BLACK, INDUCTION HOBS



### HOBS:



Induction hobs  
4 cooking zones  
Automatic switch off when overheat  
Minimum pan ø indication  
1 scraper

### MAIN OVEN:



Tangential cooling system  
Closed door grilling  
Electronic 5 buttons  
Electronic timer with start and end of cooking  
Acoustic alarm  
Temperature: from 50 to 245 °C  
1 halogen lamp, power 40 W  
Metal racks, 4 cooking levels  
1 thermoreflecting door glass  
Removable inner door  
Frequency: 50/60 Hz  
Induction hobs  
Voltage: 220-240 V  
1 tray 40 mm deep  
1 insert grill mesh  
2 grids with back stop

### SECONDARY OVEN:



Tangential cooling system  
Closed door grilling  
Temperature: from 50 to 245 °C  
1 halogen lamp, power 40 W  
Metal racks, 2 cooking levels  
Electric grill  
1 thermoreflecting door glass  
1 insert grill mesh  
1 grid with back stop  
1 tray 40 mm deep  
Closed door grilling

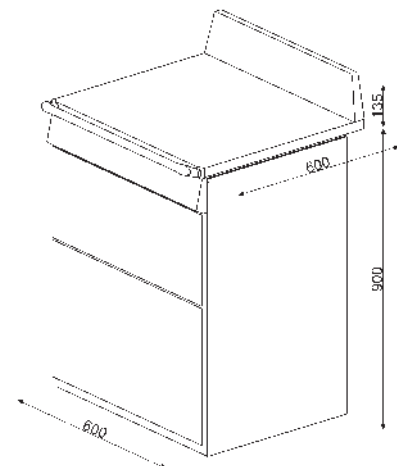
Frequency: 50/60 Hz  
Current: 56 Amp  
Voltage: 220-240 V  
Voltage 2 (V): 380-415 V  
Electrical connection rating: 12700 W

## TR62IP

COOKER, 60X60 CM, VICTORIA, CREAM, INDUCTION HOBS



Frequency: 50/60 Hz  
Induction hobs  
Voltage: 220-240 V





## TR62BL

COOKER, 60X60 CM, VICTORIA, BLACK, GAS HOBS

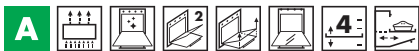


### HOBS:



Gas hobs  
4 cooking zones  
Matt black enamelled burner caps  
Cast iron pan stands  
Safety valves  
1 moka stand  
1 wok stand

### MAIN OVEN:



Tangential cooling system  
Closed door grilling  
Electronic 5 buttons  
Electronic timer with start and end of cooking  
Acoustic alarm  
Temperature: from 50 to 245 °C  
1 halogen lamp, power 40 W  
Metal racks, 4 cooking levels  
1 thermoreflecting door glass  
Removable inner door  
Safety valves  
Frequency: 50/60 Hz  
Gas hobs  
Voltage: 220-240 V  
1 tray 40 mm deep  
1 insert grill mesh  
2 grids with back stop

### SECONDARY OVEN:



Tangential cooling system  
Closed door grilling  
Temperature: from 50 to 245 °C  
1 halogen lamp, power 40 W  
Metal racks, 2 cooking levels  
Electric grill  
1 thermoreflecting door glass  
1 insert grill mesh  
1 grid with back stop  
1 tray 40 mm deep  
Closed door grilling

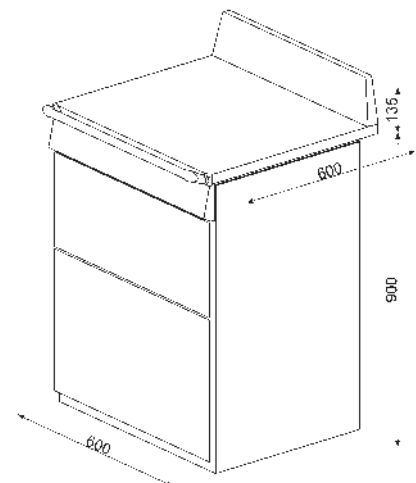
Frequency: 50/60 Hz  
Current: 24 Amp  
Voltage: 220-240 V  
Voltage 2 (V): 380-415 V  
Electrical connection rating: 5500 W  
Gas connection rating (W): 8800 W

## TR62P

COOKER, 60X60 CM, VICTORIA, CREAM, GAS HOBS



Frequency: 50/60 Hz  
Gas hobs  
Voltage: 220-240 V



## TR60IBL

COOKER, 60X60 CM, VICTORIA, BLACK, INDUCTION HOBS

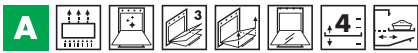


### HOBS:



Induction hobs  
4 cooking zones  
Automatic switch off when overheat  
Minimum pan ø indication  
1 scraper

### MAIN OVEN:



Tangential cooling system  
Closed door grilling  
Electronic 5 buttons  
Electronic timer with start and end of cooking  
Acoustic alarm  
Cleaning function vapor clean  
Temperature: from 50 to 260 °C  
1 halogen lamp, power 40 W  
Metal racks, 4 cooking levels  
Electric grill  
2 thermoreflecting door glasses  
Removable inner door  
Frequency: 50/60 Hz  
Induction hobs  
Voltage: 220-240 V  
1 tray 40 mm deep  
1 insert grill mesh  
2 grids with back stop  
Closed door grilling  
Closed door grilling

Warming drawer

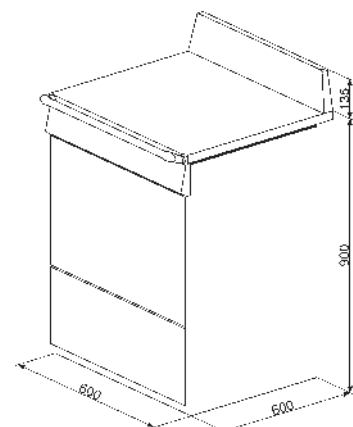
Frequency: 50/60 Hz  
Current: 44 Amp  
Voltage: 220-240 V  
Voltage 2 (V): 380-415 V  
Electrical connection rating: 10000 W

## TR60IP

COOKER, 60X60 CM, VICTORIA, CREAM, INDUCTION HOBS



Frequency: 50/60 Hz  
Induction hobs  
Voltage: 220-240 V



## TR60BL

COOKER, 60X60 CM, VICTORIA, BLACK,  
GAS HOBS

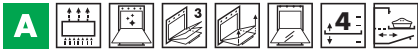


### HOBS:

UR

Gas hobs  
4 cooking zones  
1 moka stand  
1 wok stand

### MAIN OVEN:



Tangential cooling system  
Closed door grilling  
Electronic 5 buttons  
Electronic timer with start and end of cooking  
Acoustic alarm  
Cleaning function vapor clean  
Temperature: from 50 to 260 °C  
1 halogen lamp, power 40 W  
Metal racks, 4 cooking levels  
Electric grill  
2 thermoreflecting door glasses  
Removable inner door  
Frequency: 50/60 Hz  
Gas hobs  
Voltage: 220-240 V  
1 tray 40 mm deep  
1 insert grill mesh  
2 grids with back stop  
Closed door grilling  
Closed door grilling

Warming drawer

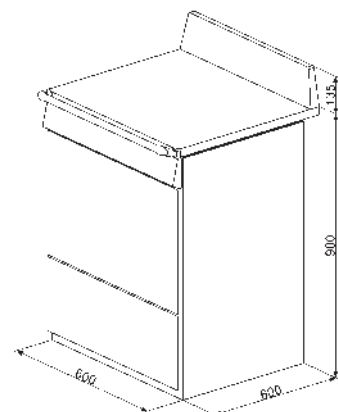
Frequency: 50/60 Hz  
Current: 13 Amp  
Voltage: 220-240 V  
Electrical connection rating: 2800 W  
Gas connection rating (W): 8800 W

## TR60P

COOKER, 60X60 CM, VICTORIA, CREAM,  
GAS HOBS



Frequency: 50/60 Hz  
Gas hobs  
Voltage: 220-240 V





## CC9GPO

COOKER, 90X60 CM, CORTINA, CREAM, BRASS FINISHING, GAS HOBS



## CC9GPX

COOKER, 90X60 CM, CORTINA, GAS HOBS



### HOBS:



Gas hobs  
6 cooking zones  
Matt black enamelled burner caps  
Cast iron pan stands  
Safety valves  
1 wok stand

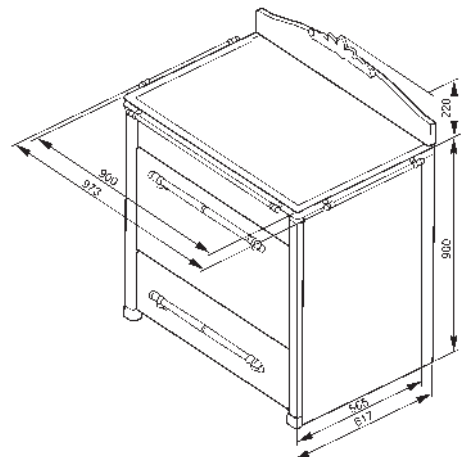
### MAIN OVEN:



Tangential cooling system  
Closed door grilling  
Analogic-digital display  
Electronic timer with start and end of cooking  
Acoustic alarm  
Cleaning function catalysis  
Temperature: from 50 to 250 °C  
Lighting when door is opened  
2 lamps, power 25 W  
Metal racks, 4 cooking levels  
Electric grill  
2 thermoreflecting door glasses  
Safety valves  
Frequency: 50 Hz  
Gas hobs  
Voltage: 220-240 V  
2 trays 20 mm deep  
3 catalytic panels  
2 grids with back stop  
1 rotisserie kit  
Closed door grilling  
Closed door grilling

Warming drawer

Frequency: 50 Hz  
Current: 13 Amp  
Voltage: 220-240 V  
Electrical connection rating: 2900 W  
Gas connection rating (W): 14600 W







## CO68CMA8

COOKER, 60X60 CM, COLONIALE, ANTHRACITE,  
CERAMIC HOBS



## CO68CMP9

COOKER, 60X60 CM, COLONIALE, CREAM,  
CERAMIC HOBS

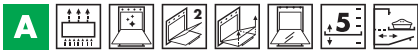


### HOBS:



Ceramic hobs  
4 cooking zones  
1 scraper

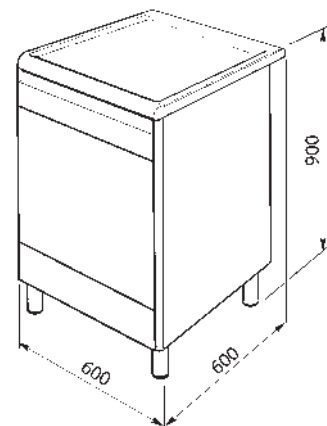
### MAIN OVEN:



Tangential cooling system  
Closed door grilling  
Analogic  
Electronic timer with end of cooking  
Acoustic alarm  
Cleaning function vapor clean  
Temperature: from 40 to 260 °C  
Lighting when door is opened  
1 halogen lamp, power 40 W  
Metal racks, 5 cooking levels  
Electric grill  
1 thermoreflecting door glass  
Removable inner door  
Frequency: 50 Hz  
Ceramic hobs  
Voltage: 220-240 V  
1 tray 20 mm deep  
1 tray 40 mm deep  
1 insert grill mesh  
1 oven grid with back and side stop  
Closed door grilling  
Closed door grilling

Storage compartment: door

Frequency: 50 Hz  
Current: 47 Amp  
Voltage: 220-240 V  
Voltage 2 (V): 380-415 V  
Electrical connection rating: 10700 W





## CO68GMA8

COOKER, 60X60 CM, COLONIALE,  
ANTHRACITE, GAS HOBS



## CO68GMP9

COOKER, 60X60 CM, COLONIALE, CREAM,  
GAS HOBS



### HOBS:

UR

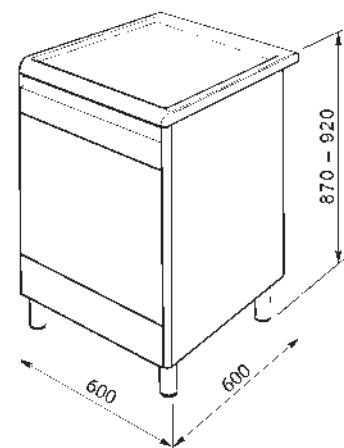
Gas hobs  
4 cooking zones  
Matt black enamelled burner caps  
Matt black enamelled pan stands  
Safety valves  
1 moka stand

### MAIN OVEN:



Tangential cooling system  
Closed door grilling  
Analogic  
Electronic timer with end of cooking  
Acoustic alarm  
Cleaning function vapor clean  
Temperature: from 40 to 260 °C  
Lighting when door is opened  
1 halogen lamp, power 40 W  
Metal racks, 5 cooking levels  
Electric grill  
1 thermoreflecting door glass  
Removable inner door  
Safety valves  
Frequency: 50 Hz  
Gas hobs  
Voltage: 220-240 V  
1 tray 40 mm deep  
2 grids with back stop  
Closed door grilling  
Closed door grilling

Frequency: 50 Hz  
Current: 13 Amp  
Voltage: 220-240 V  
Electrical connection rating: 3000 W  
Gas connection rating (W): 8150 W





## B90GVX19

COOKER, 90X60 CM, MASTER, STAINLESS STEEL, GAS HOBS



## B90GMX19

COOKER, 90X60 CM, MASTER, STAINLESS STEEL, GAS HOBS



### HOBS:



Gas hobs  
5 cooking zones  
Matt black enamelled burner caps  
Cast iron pan stands  
Safety valves  
1 moka stand

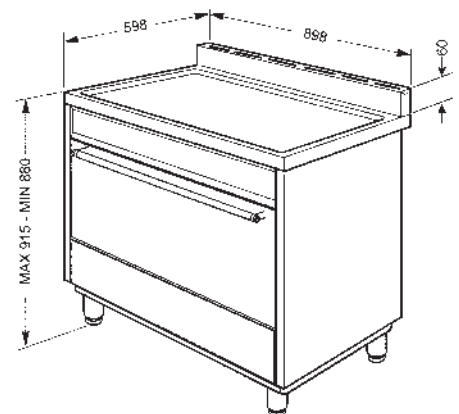
### MAIN OVEN:



Tangential cooling system  
Closed door grilling  
Electronic timer with end of cooking  
1 halogen lamp, power 40 W  
Metal racks, 5 cooking levels  
Electric grill  
1 thermoreflecting door glass  
Removable inner door  
Safety valves  
Frequency: 50/60 Hz  
Gas hobs  
Voltage: 220-240 V  
1 tray 40 mm deep  
1 insert grill mesh  
1 grid with back stop  
Closed door grilling  
Closed door grilling

Storage compartment: door

Frequency: 50/60 Hz  
Current: 13 Amp  
Voltage: 220-240 V  
Voltage 2 (V): 380-415 V  
Electrical connection rating: 3000 W  
Gas connection rating (W): 15700 W





## B9GMBI9

COOKER, 90X60 CM, SINFONIA, WHITE, GAS HOBS



## B9GMPI9

COOKER, 90X60 CM, SINFONIA, CREAM, GAS HOBS



## B9GMX19

COOKER, 90X60 CM, SINFONIA, STAINLESS STEEL, GAS HOBS



### HOBS:



Gas hobs  
6 cooking zones  
Matt black enamelled burner caps  
Cast iron pan stands  
Safety valves  
1 moka stand  
1 wok cast iron stand

### MAIN OVEN:



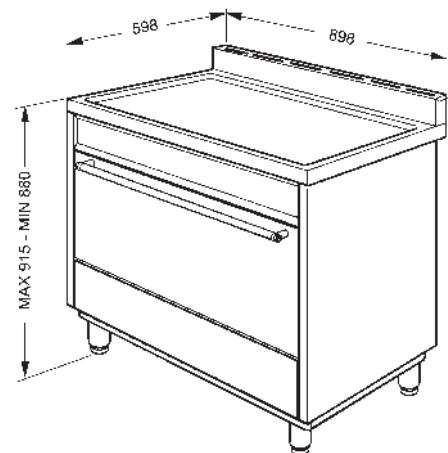
Tangential cooling system  
Closed door grilling  
Electronic timer with end of cooking  
Acoustic alarm  
Cleaning function vapor clean  
Temperature: from 50 to 260 °C  
Lighting when door is opened  
2 halogen lamps, power 40 W  
Metal racks, 5 cooking levels  
Electric grill  
2 thermoreflecting door glasses  
Removable inner door  
Safety valves  
Frequency: 50/60 Hz  
Gas hobs  
Voltage: 220-240 V  
1 tray 40 mm deep  
1 insert grill mesh  
1 grid with back stop  
Closed door grilling  
Closed door grilling

Storage compartment: door

Frequency: 50/60 Hz  
Current: 14 Amp  
Voltage: 220-240 V  
Electrical connection rating: 3200 W  
Gas connection rating (W): 12600 W

## B9GVX19

COOKER, 90X60 CM, SINFONIA, STAINLESS STEEL, GAS HOBS







## B8GMX19

COOKER, 80X60 CM, SINFONIA, STAINLESS STEEL,  
GAS HOBS

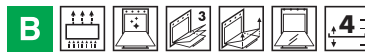


### HOBS:



Gas hobs  
5 cooking zones  
Matt black enamelled burner caps  
Cast iron pan stands  
Safety valves  
1 moka stand

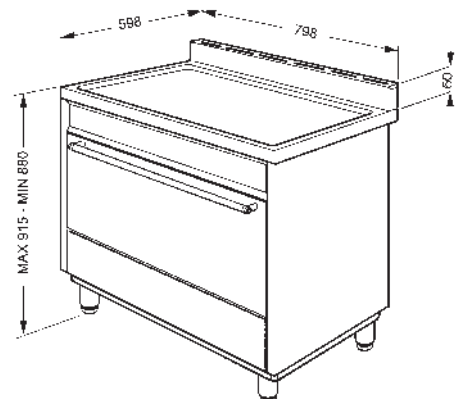
### MAIN OVEN:



Tangential cooling system  
Closed door grilling  
Minute minder  
Acoustic alarm  
Temperature: from 50 to 260 °C  
Lighting when door is opened  
2 lamps, power 25 W  
Metal racks, 4 cooking levels  
Electric grill  
2 thermorelecting door glasses  
Safety valves  
Frequency: 50/60 Hz  
Gas hobs  
Voltage: 220-240 V  
1 baking tray, maxi oven  
1 grid with back stop  
1 oven grid with stop, tray support  
Closed door grilling  
Closed door grilling

Storage compartment: door

Frequency: 50/60 Hz  
Current: 14 Amp  
Voltage: 220-240 V  
Electrical connection rating: 3100 W  
Gas connection rating (W): 11500 W



## B7GMX19

COOKER, 70X60 CM, SINFONIA,  
STAINLESS STEEL, GAS HOBS



### HOBS:



Gas hobs  
5 cooking zones  
Matt black enamelled burner caps  
Cast iron pan stands  
Safety valves  
1 moka stand

### MAIN OVEN:



Tangential cooling system  
Closed door grilling  
Minute minder  
Acoustic alarm  
Cleaning function vapor clean  
Temperature: from 50 to 260 °C  
Lighting when door is opened  
1 halogen lamp, power 40 W  
Metal racks, 5 cooking levels  
Electric grill  
1 thermoreflecting door glass  
Removable inner door  
Safety valves  
Frequency: 50/60 Hz  
Gas hobs  
Voltage: 220-240 V  
1 tray 40 mm deep  
2 grids with back stop  
Closed door grilling  
Closed door grilling

Storage compartment: door

Frequency: 50/60 Hz  
Current: 13 Amp  
Voltage: 220-240 V  
Electrical connection rating: 3000 W  
Gas connection rating (W): 9600 W

## B7GVX19

COOKER, 70X60 CM, SINFONIA,  
STAINLESS STEEL, GAS HOBS

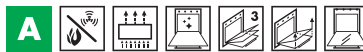


### HOBS:



Gas hobs  
5 cooking zones  
Matt black enamelled burner caps  
Cast iron pan stands  
Safety valves  
1 moka stand

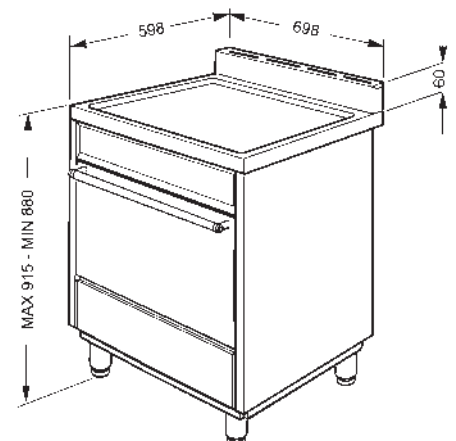
### MAIN OVEN:



Tangential cooling system  
Closed door grilling  
Minute minder  
Temperature: from 50 to 260 °C  
1 halogen lamp, power 40 W  
Metal racks, 5 cooking levels  
Electric grill  
1 thermoreflecting door glass  
Removable inner door  
Safety valves  
Frequency: 50/60 Hz  
Gas hobs  
Voltage: 220-240 V  
1 tray 40 mm deep  
2 grids with back stop  
Closed door grilling  
Closed door grilling

Storage compartment: door

Frequency: 50/60 Hz  
Current: 9 Amp  
Voltage: 220-240 V  
Electrical connection rating: 1900 W  
Gas connection rating (W): 12200 W



## B6GMX19

COOKER, 60X60 CM, SINFONIA,  
STAINLESS STEEL, GAS HOBS



### HOBS:



Gas hobs  
4 cooking zones  
Matt black enamelled burner caps  
Cast iron pan stands  
Safety valves  
1 moka stand

### MAIN OVEN:



Tangential cooling system  
Closed door grilling  
Minute minder  
Acoustic alarm  
Cleaning function vapor clean  
Temperature: from 50 to 260 °C  
Lighting when door is opened  
1 halogen lamp, power 40 W  
Metal racks, 5 cooking levels  
Electric grill  
1 thermoreflecting door glass  
Removable inner door  
Safety valves  
Frequency: 50/60 Hz  
Gas hobs  
Voltage: 220-240 V  
1 tray 40 mm deep  
2 grids with back stop  
Closed door grilling  
Closed door grilling

Storage compartment: door

Frequency: 50/60 Hz  
Current: 13 Amp  
Voltage: 220-240 V  
Electrical connection rating: 3000 W  
Gas connection rating (W): 8800 W

## B6GVX19

COOKER, 60X60 CM, SINFONIA,  
STAINLESS STEEL, GAS HOBS

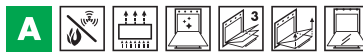


### HOBS:



Gas hobs  
4 cooking zones  
Matt black enamelled burner caps  
Cast iron pan stands  
Safety valves  
1 moka stand

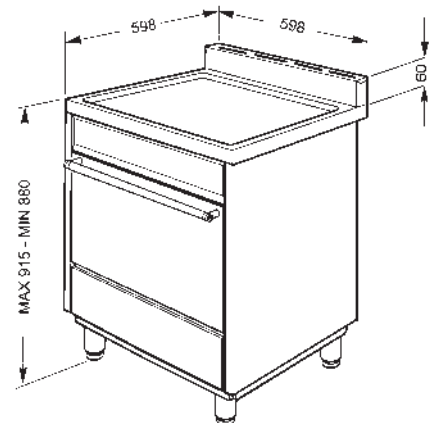
### MAIN OVEN:



Tangential cooling system  
Closed door grilling  
Minute minder  
1 halogen lamp, power 40 W  
Metal racks, 5 cooking levels  
Electric grill  
1 thermoreflecting door glass  
Removable inner door  
Safety valves  
Frequency: 50/60 Hz  
Gas hobs  
Voltage: 220-240 V  
1 tray 40 mm deep  
2 grids with back stop  
Closed door grilling  
Closed door grilling

Storage compartment: door

Frequency: 50/60 Hz  
Current: 9 Amp  
Voltage: 220-240 V  
Electrical connection rating: 1900 W  
Gas connection rating (W): 11400 W



## B60GMX19

COOKER, 60X60 CM, SINFONIA,  
STAINLESS STEEL, GAS HOBS



### HOBS:



Gas hobs  
4 cooking zones  
Matt black enamelled burner caps  
Cast iron pan stands  
Safety valves  
1 moka stand

### MAIN OVEN:



Tangential cooling system  
Closed door grilling  
Minute minder  
Acoustic alarm  
Cleaning function vapor clean  
Temperature: from 50 to 260 °C  
1 halogen lamp, power 40 W  
Metal racks, 5 cooking levels  
Electric grill  
1 thermoreflecting door glass  
Removable inner door  
Safety valves  
Frequency: 50/60 Hz  
Gas hobs  
Voltage: 220-240 V  
1 tray 40 mm deep  
2 grids with back stop  
Closed door grilling  
Closed door grilling

Storage compartment: door

Frequency: 50/60 Hz  
Current: 13 Amp  
Voltage: 220-240 V  
Voltage 2 (V): 380-415 V  
Electrical connection rating: 3000 W  
Gas connection rating (W): 8550 W

## B60GVX19

COOKER, 60X60 CM, SINFONIA,  
STAINLESS STEEL, GAS HOBS



### HOBS:



Gas hobs  
4 cooking zones  
Matt black enamelled burner caps  
Cast iron pan stands  
Safety valves  
1 moka stand

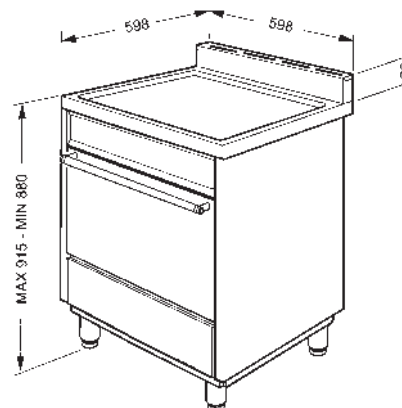
### MAIN OVEN:



Tangential cooling system  
Closed door grilling  
Minute minder  
1 halogen lamp, power 40 W  
Metal racks, 5 cooking levels  
Electric grill  
1 thermoreflecting door glass  
Removable inner door  
Safety valves  
Frequency: 50/60 Hz  
Gas hobs  
Voltage: 220-240 V  
1 tray 40 mm deep  
2 grids with back stop  
Closed door grilling  
Closed door grilling

Storage compartment: door

Frequency: 50/60 Hz  
Current: 9 Amp  
Voltage: 220-240 V  
Voltage 2 (V): 380-415 V  
Electrical connection rating: 1900 W  
Gas connection rating (W): 11150 W



## C92GMX8

COOKER, 90X60 CM, SINFONIA,  
STAINLESS STEEL, GAS HOBS



### HOBS:



Gas hobs  
6 cooking zones  
Matt black enamelled burner caps  
Cast iron pan stands  
Safety valves  
1 moka stand  
1 wok stand

### MAIN OVEN:



Tangential cooling system  
Closed door grilling  
Electronic 5 buttons  
Electronic timer with start and end of cooking  
Acoustic alarm  
Cleaning function vapor clean  
Temperature: from 40 to 260 °C  
Lighting when door is opened  
1 halogen lamp, power 40 W  
Metal racks, 5 cooking levels  
Electric grill  
1 thermorelecting door glass  
Removable inner door  
Safety valves  
Frequency: 50/60 Hz  
Gas hobs  
Voltage: 220-240 V  
1 tray 20 mm deep  
1 tray 40 mm deep  
3 catalytic panels  
1 insert grill mesh  
1 oven grid with back and side stop

### SECONDARY OVEN:



Energy consumption: up to 10% less energy than class A  
Tangential cooling system  
Closed door grilling  
Temperature: from 50 to 245 °C  
1 lamp, power 25 W  
Metal racks, 4 cooking levels  
Electric grill  
1 thermorelecting door glass  
1 baking tray, maxi oven

## C9GMX9

COOKER, 90X60 CM, SINFONIA,  
STAINLESS STEEL, GAS HOBS

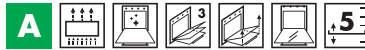


### HOBS:



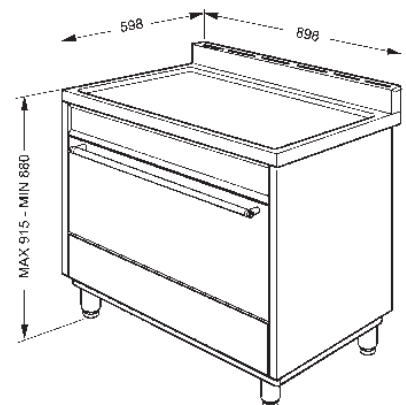
Gas hobs  
6 cooking zones  
Matt black enamelled burner caps  
Cast iron pan stands  
Safety valves  
1 moka stand  
1 wok cast iron stand

### MAIN OVEN:



Tangential cooling system  
Closed door grilling  
Electronic timer with start and end of cooking  
Acoustic alarm  
Cleaning function vapor clean  
Temperature: from 50 to 260 °C  
Lighting when door is opened  
2 halogen lamps, power 40 W  
Metal racks, 5 cooking levels  
Electric grill  
2 thermorelecting door glasses  
Removable inner door  
Safety valves  
Frequency: 50/60 Hz  
Gas hobs  
Voltage: 220-240 V  
1 tray 20 mm deep  
1 tray 40 mm deep  
2 grids with back stop  
1 rotisserie kit  
Closed door grilling  
Closed door grilling

Frequency: 50/60 Hz  
Current: 14 Amp  
Voltage: 220-240 V  
Electrical connection rating: 3200 W  
Gas connection rating (W): 12600 W





C9GMX9

## C9GMX19

COOKER, 90X60 CM, SINFONIA, STAINLESS STEEL, GAS HOBS



### HOBS:



Gas hobs  
6 cooking zones  
Matt black enamelled burner caps  
Cast iron pan stands  
Safety valves  
1 moka stand

### MAIN OVEN:



Tangential cooling system  
Closed door grilling  
Minute minder  
Acoustic alarm  
Cleaning function vapor clean  
Temperature: from 50 to 260 °C  
Lighting when door is opened  
2 halogen lamps, power 40 W  
Metal racks, 5 cooking levels  
Electric grill  
1 thermoreflecting door glass  
Removable inner door  
Safety valves  
Frequency: 50/60 Hz  
Gas hobs  
Voltage: 220-240 V  
1 tray 40 mm deep  
1 insert grill mesh  
1 grid with back stop  
Closed door grilling  
Closed door grilling

Frequency: 50/60 Hz  
Current: 14 Amp  
Voltage: 220-240 V  
Electrical connection rating: 3200 W  
Gas connection rating (W): 12600 W

## C9GVX19

COOKER, 90X60 CM, SINFONIA, STAINLESS STEEL, GAS HOBS



### HOBS:



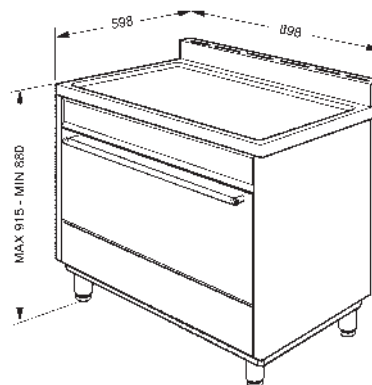
Gas hobs  
6 cooking zones  
Matt black enamelled burner caps  
Cast iron pan stands  
Safety valves  
1 moka stand

### MAIN OVEN:



Tangential cooling system  
Closed door grilling  
Minute minder  
2 halogen lamps, power 40 W  
Metal racks, 5 cooking levels  
Electric grill  
1 thermoreflecting door glass  
Safety valves  
Frequency: 50/60 Hz  
Gas hobs  
Voltage: 220-240 V  
1 tray 40 mm deep  
1 insert grill mesh  
1 grid with back stop  
Closed door grilling  
Closed door grilling

Frequency: 50/60 Hz  
Current: 13 Amp  
Voltage: 220-240 V  
Electrical connection rating: 3000 W  
Gas connection rating (W): 16800 W

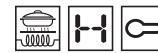


## C9IMX9

COOKER, 90X60 CM, SINFONIA, STAINLESS STEEL, INDUCTION HOBS



### HOBS:



Induction hobs  
5 cooking zones  
Matt black enamelled burner caps  
Automatic switch off when overheat  
Minimum pan ø indication  
1 scraper

### MAIN OVEN:



Tangential cooling system  
Closed door grilling  
Electronic timer with start and end of cooking  
Acoustic alarm  
Cleaning function vapor clean  
Temperature: from 50 to 260 °C  
Lighting when door is opened  
2 halogen lamps, power 40 W  
Metal racks, 5 cooking levels  
Electric grill  
2 thermoreflecting door glasses  
Removable inner door  
Frequency: 50/60 Hz  
Induction hobs  
Voltage: 220-240 V  
1 tray 20 mm deep  
1 tray 40 mm deep  
2 grids with back stop  
1 rotisserie kit  
Closed door grilling  
Closed door grilling

Storage compartment: door

Frequency: 50/60 Hz  
Current: 45 Amp  
Voltage: 220-240 V  
Voltage 2 (V): 380-415 V  
Electrical connection rating: 10200 W





## C9GMX9

COOKER, 90X60 CM, SINFONIA, STAINLESS STEEL, GAS HOBS



### HOBS:



Gas hobs  
6 cooking zones  
Matt black enamelled burner caps  
Cast iron pan stands  
Safety valves  
1 moka stand  
1 wok cast iron stand

### MAIN OVEN:



Tangential cooling system  
Closed door grilling  
Electronic timer with start and end of cooking  
Acoustic alarm  
Cleaning function vapor clean  
Temperature: from 50 to 260 °C  
Lighting when door is opened  
2 halogen lamps, power 40 W  
Metal racks, 5 cooking levels  
Electric grill  
2 thermoreflecting door glasses  
Removable inner door  
Safety valves  
Frequency: 50/60 Hz  
Gas hobs  
Voltage: 220-240 V  
1 tray 20 mm deep  
1 tray 40 mm deep  
2 grids with back stop  
1 rotisserie kit  
Closed door grilling  
Closed door grilling

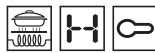
Frequency: 50/60 Hz  
Current: 14 Amp  
Voltage: 220-240 V  
Electrical connection rating: 3200 W  
Gas connection rating (W): 12600 W

## C9IMX9

COOKER, 90X60 CM, SINFONIA, STAINLESS STEEL, INDUCTION HOBS

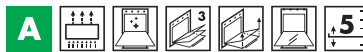


### HOBS:

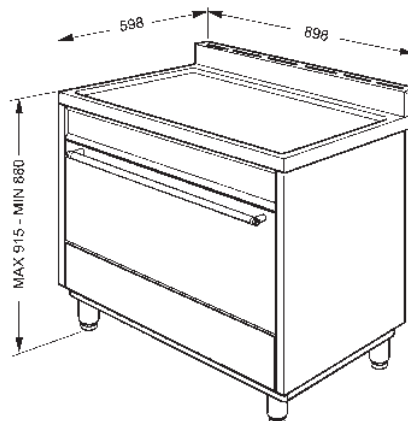


Induction hobs  
5 cooking zones  
Matt black enamelled burner caps  
Automatic switch off when overheat  
Minimum pan ø indication  
1 scraper

### MAIN OVEN:



Tangential cooling system  
Closed door grilling  
Electronic timer with start and end of cooking  
Acoustic alarm  
Cleaning function vapor clean  
Temperature: from 50 to 260 °C  
Lighting when door is opened  
2 halogen lamps, power 40 W  
Metal racks, 5 cooking levels  
Electric grill  
2 thermoreflecting door glasses  
Removable inner door  
Frequency: 50/60 Hz  
Induction hobs  
Voltage: 220-240 V  
1 tray 20 mm deep  
1 tray 40 mm deep  
2 grids with back stop  
1 rotisserie kit  
Closed door grilling  
Closed door grilling  
Storage compartment: door  
Frequency: 50/60 Hz  
Current: 45 Amp  
Voltage: 220-240 V  
Voltage 2 (V): 380-415 V  
Electrical connection rating: 10200 W

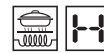


## C6IMX18-2

COOKER, 60X60 CM, SINFONIA, STAINLESS STEEL, INDUCTION HOBS



### HOBS:



Induction hobs  
4 cooking zones  
Automatic switch off when overheat  
Minimum pan ø indication  
1 scraper

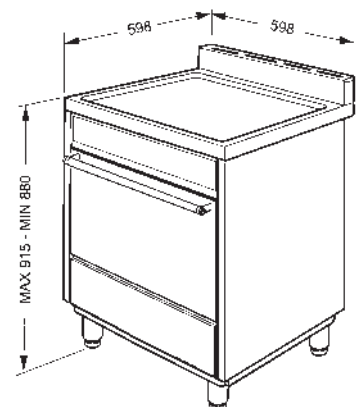
### MAIN OVEN:



Tangential cooling system  
Closed door grilling  
Electronic 5 buttons  
Electronic timer with start and end of cooking  
Acoustic alarm  
Cleaning function vapor clean  
Temperature: from 50 to 260 °C  
Lighting when door is opened  
Metal racks, 5 cooking levels  
Electric grill  
2 thermoreflecting door glasses  
Removable inner door  
Frequency: 50/60 Hz  
Induction hobs  
Voltage: 220-240 V  
1 tray 40 mm deep  
2 grids with back stop  
Closed door grilling  
Closed door grilling

Storage compartment: door

Frequency: 50/60 Hz  
Current: 46 Amp  
Voltage: 220-240 V  
Voltage 2 (V): 380-415 V  
Electrical connection rating: 10400 W



## C6GVX18-2

COOKER, 60X60 CM, SINFONIA, STAINLESS STEEL, GAS HOBS



### HOBS:



Gas hobs  
4 cooking zones  
Matt black enamelled burner caps  
Cast iron pan stands  
Safety valves  
1 moka stand

### MAIN OVEN:



Tangential cooling system  
Closed door grilling  
Minute minder  
Acoustic alarm  
Temperature: from 50 to 260 °C  
1 halogen lamp, power 40 W  
Metal racks, 5 cooking levels  
Electric grill  
2 thermoreflecting door glasses  
Removable inner door  
Safety valves  
Frequency: 50/60 Hz  
Gas hobs  
Voltage: 220-240 V  
1 tray 40 mm deep  
2 grids with back stop  
Closed door grilling  
Closed door grilling

Storage compartment: door

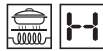
Frequency: 50/60 Hz  
Current: 9 Amp  
Voltage: 220-240 V  
Electrical connection rating: 1900 W  
Gas connection rating (W): 11150 W

## C6IMX18-2

COOKER, 60X60 CM, SINFONIA, STAINLESS STEEL, INDUCTION HOBS

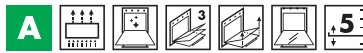


### HOBS:



Induction hobs  
4 cooking zones  
Automatic switch off when overheat  
Minimum pan ø indication  
1 scraper

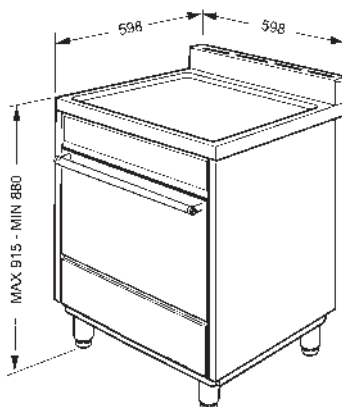
### MAIN OVEN:



Tangential cooling system  
Closed door grilling  
Electronic 5 buttons  
Electronic timer with start and end of cooking  
Acoustic alarm  
Cleaning function vapor clean  
Temperature: from 50 to 260 °C  
Lighting when door is opened  
Metal racks, 5 cooking levels  
Electric grill  
2 thermoreflecting door glasses  
Removable inner door  
Frequency: 50/60 Hz  
Voltage: 220-240 V  
1 tray 40 mm deep  
2 grids with back stop  
Closed door grilling  
Closed door grilling

Storage compartment: door

Frequency: 50/60 Hz  
Current: 46 Amp  
Voltage: 220-240 V  
Voltage 2 (V): 380-415 V  
Electrical connection rating: 10400 W



## C6CMX8

COOKER, 60X60 CM, SINFONIA, STAINLESS STEEL, CERAMIC HOBS

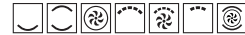


### HOBS:



Ceramic hobs  
4 cooking zones  
Automatic switch off when overheat  
1 scraper

### MAIN OVEN:



Tangential cooling system  
Closed door grilling  
Electronic 5 buttons  
Electronic timer with start and end of cooking  
Acoustic alarm  
Cleaning function vapor clean  
Temperature: from 50 to 260 °C  
1 lamp, power 25 W  
Metal racks, 5 cooking levels  
Electric grill  
2 thermoreflecting door glasses  
Removable inner door  
Frequency: 50/60 Hz  
Ceramic hobs  
Voltage: 220-240 V  
1 tray 20 mm deep  
1 tray 40 mm deep  
1 insert grill mesh  
1 oven grid with back and side stop  
Closed door grilling  
Closed door grilling

Storage compartment: door

Frequency: 50/60 Hz  
Current: 46 Amp  
Voltage: 220-240 V  
Electrical connection rating: 10400 W

## SX91GV9-1

COOKER, 90X60 CM, CONCERTO,  
STAINLESS STEEL, GAS HOBS



### HOBS:

UR

Gas hobs  
5 cooking zones  
Matt black enamelled burner caps  
Matt black enamelled pan stands  
Safety valves  
1 moka stand

### MAIN OVEN:



Tangential cooling system  
Closed door grilling  
Minute minder  
Acoustic alarm  
Temperature: from 50 to 260 °C  
1 halogen lamp, power 40 W  
Metal racks, 5 cooking levels  
Electric grill  
1 thermoreflecting door glass  
Removable inner door  
Safety valves  
Frequency: 50/60 Hz  
Gas hobs  
Voltage: 220-240 V  
1 tray 40 mm deep  
1 grid with back stop  
Closed door grilling  
Closed door grilling

Frequency: 50/60 Hz  
Current: 13 Amp  
Voltage: 220-240 V  
Electrical connection rating: 3000 W  
Gas connection rating (W): 15600 W

## SX91SV9

COOKER, 90X60 CM, CONCERTO,  
STAINLESS STEEL, GAS HOBS

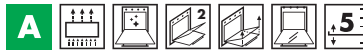


### HOBS:

UR

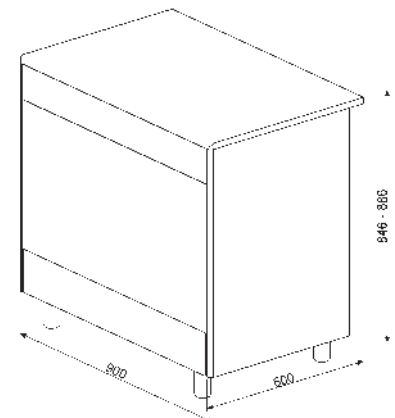
Gas hobs  
5 cooking zones  
Matt black enamelled burner caps  
Matt black enamelled pan stands  
Safety valves  
1 moka stand

### MAIN OVEN:



Tangential cooling system  
Closed door grilling  
Minute minder  
Acoustic alarm  
Temperature: from 50 to 260 °C  
1 halogen lamp, power 40 W  
Metal racks, 5 cooking levels  
Electric grill  
1 thermoreflecting door glass  
Removable inner door  
Safety valves  
Frequency: 50/60 Hz  
Gas hobs  
Voltage: 220-240 V  
1 tray 40 mm deep  
1 grid with back stop  
Closed door grilling  
Closed door grilling

Frequency: 50/60 Hz  
Current: 14 Amp  
Voltage: 220-240 V  
Electrical connection rating: 3200 W  
Gas connection rating (W): 11400 W





## CC92MX9

COOKER, 90X60 CM, CONCERTO,  
STAINLESS STEEL, GAS HOBS

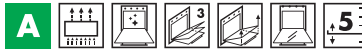


### HOBS:



Gas hobs  
5 cooking zones  
Matt black enamelled burner caps  
Matt black enamelled pan stands  
Safety valves

### MAIN OVEN:



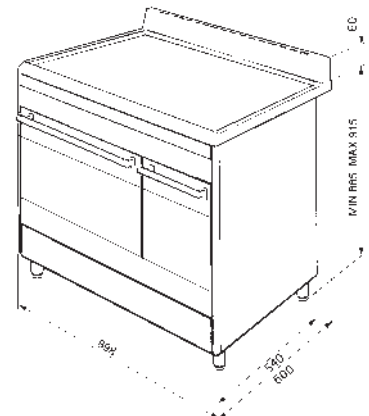
Tangential cooling system  
Closed door grilling  
Electronic 5 buttons  
Electronic timer with start and end of cooking  
Acoustic alarm  
Cleaning function vapor clean  
Temperature: from 50 to 260 °C  
Lighting when door is opened  
1 halogen lamp, power 40 W  
Metal racks, 5 cooking levels  
Electric grill  
1 thermoreflecting door glass  
Removable inner door  
Safety valves  
Frequency: 50/60 Hz  
Gas hobs  
Voltage: 220-240 V  
1 tray 40 mm deep  
1 insert grill mesh  
1 grid with back stop

### SECONDARY OVEN:



Energy consumption: up to 10% less energy than class A  
Tangential cooling system  
Closed door grilling  
Temperature: from 50 to 245 °C  
1 lamp, power 25 W  
Metal racks, 4 cooking levels  
Electric grill  
1 thermoreflecting door glass  
1 baking tray, maxi oven  
1 insert grill mesh  
1 oven grid with back and side stop  
Closed door grilling

Frequency: 50/60 Hz  
Current: 19 Amp  
Voltage: 220-240 V  
Voltage 2 (V): 380-415 V  
Electrical connection rating: 4300 W  
Gas connection rating (W): 11100 W



N.B: Height with plinths installed is fixed at 900mm

## SX91VJM9

COOKER, 90X60 CM, CONCERTO,  
STAINLESS STEEL, GAS HOBS

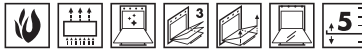


### HOBS:



Gas hobs  
5 cooking zones  
Matt black enamelled burner caps  
Cast iron pan stands  
Safety valves

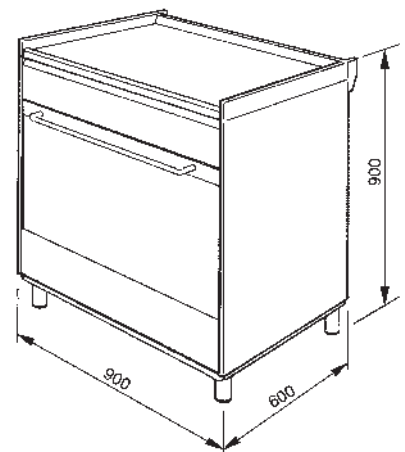
### MAIN OVEN:



Tangential cooling system  
Closed door grilling  
Minute minder  
Temperature: from 150 to 275 °C  
Metal racks, 5 cooking levels  
1 thermoreflecting door glass  
Removable inner door  
Safety valves  
Frequency: 50/60 Hz  
Gas hobs  
Voltage: 127 V  
1 tray 40 mm deep  
2 grids with back stop  
Closed door grilling  
Closed door grilling

Storage compartment: door

Frequency: 50/60 Hz  
Voltage: 127 V  
Electrical connection rating: 70 W  
Gas connection rating (W): 15694.4 W



## CX68CM8

COOKER, 60X60 CM, CONCERTO, STAINLESS STEEL, CERAMIC HOBS



### HOBS:



Ceramic hobs  
4 cooking zones  
1 scraper

### MAIN OVEN:



Tangential cooling system  
Closed door grilling  
Electronic 5 buttons  
Electronic timer with start and end of cooking  
Acoustic alarm  
Cleaning function vapor clean  
Temperature: from 40 to 260 °C  
Lighting when door is opened  
1 halogen lamp, power 40 W  
Metal racks, 5 cooking levels  
Electric grill  
1 thermoreflecting door glass  
Removable inner door  
Frequency: 50/60 Hz  
Ceramic hobs  
Voltage: 220-240 V  
1 tray 40 mm deep  
2 grids with back stop  
Closed door grilling  
Closed door grilling

Frequency: 50/60 Hz  
Current: 46 Amp  
Voltage: 220-240 V  
Voltage 2 (V): 380-415 V  
Electrical connection rating: 10500 W

## CP60IX9

COOKER, 60X60 CM, CONCERTO, STAINLESS STEEL, INDUCTION HOBS



### HOBS:



Induction hobs  
4 cooking zones  
Automatic switch off when overheat  
Minimum pan ø indication  
1 scraper

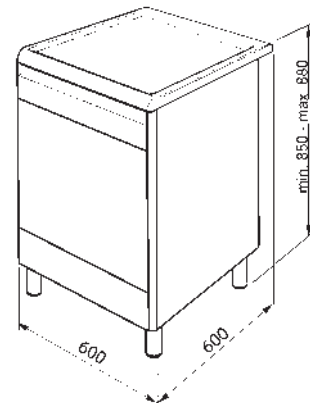
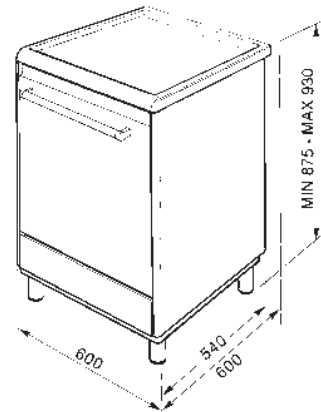
### MAIN OVEN:



Tangential cooling system  
Closed door grilling  
Electronic 5 buttons  
Electronic timer with start and end of cooking  
Acoustic alarm  
Cleaning function pyrolytic  
Temperature: from 50 to 280 °C  
Automatic switch-off when door is open  
Door lock during pyrolysis  
Lighting when door is opened  
2 halogen lamps, power 40 W  
Metal racks, 5 cooking levels  
Electric grill  
3 thermoreflecting door glasses  
Removable inner door  
Frequency: 50/60 Hz  
Induction hobs  
Voltage: 220-240 V  
1 tray 40 mm deep  
2 grids with back stop  
Closed door grilling  
Closed door grilling

Storage compartment: door

Frequency: 50/60 Hz  
Current: 46 Amp  
Voltage: 220-240 V  
Voltage 2 (V): 380-415 V  
Electrical connection rating: 10400 W





## SUK92CMX9

COOKER, 90X60 CM, CONCERTO, STAINLESS STEEL, CERAMIC HOBS

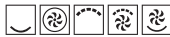
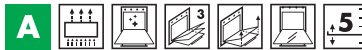


### HOBS:



Ceramic hobs  
5 cooking zones  
1 scraper

### MAIN OVEN:



Tangential cooling system  
Closed door grilling  
Electronic 5 buttons  
Electronic timer with start and end of cooking  
Acoustic alarm  
Cleaning function vapor clean  
Temperature: from 50 to 260 °C  
Lighting when door is opened  
1 halogen lamp, power 40 W  
Metal racks, 5 cooking levels  
Electric grill  
1 thermoreflecting door glass  
Removable inner door  
Frequency: 50/60 Hz  
Ceramic hobs  
Voltage: 220-240 V  
1 tray 20 mm deep  
1 tray 40 mm deep  
1 insert grill mesh  
1 grid with back stop

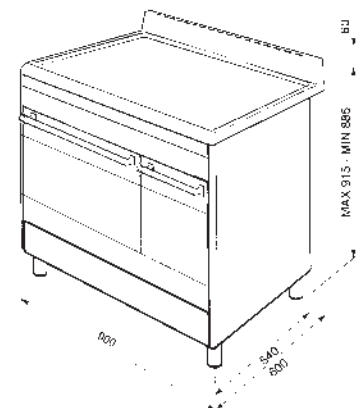
### SECONDARY OVEN:



Tangential cooling system  
Closed door grilling  
Temperature: from 50 to 245 °C  
1 lamp, power 25 W  
Metal racks, 4 cooking levels  
Electric grill  
1 thermoreflecting door glass  
1 baking tray, maxi oven  
1 insert grill mesh  
1 oven grid with back and side stop  
Closed door grilling

Storage compartment: door

Frequency: 50/60 Hz  
Current: 62 Amp  
Voltage: 220-240 V  
Voltage 2 (V): 380-415 V  
Electrical connection rating: 14100 W



NR: Height with plinth installed is fixed at 900mm

## SUK62CMX8

COOKER, 60X60 CM, CONCERTO, STAINLESS STEEL, CERAMIC HOBS



## SUK62CBL8

COOKER, 60X60 CM, CONCERTO, BLACK, CERAMIC HOBS



### HOBS:



Ceramic hobs  
4 cooking zones  
Cast iron pan stands  
1 scraper

### MAIN OVEN:



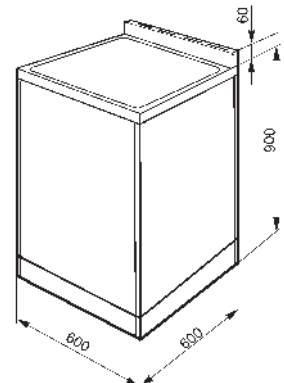
Tangential cooling system  
Closed door grilling  
Electronic 5 buttons  
Electronic timer with start and end of cooking  
Acoustic alarm  
Temperature: from 50 to 245 °C  
1 halogen lamp, power 40 W  
Metal racks, 4 cooking levels  
1 thermoreflecting door glass  
Removable inner door  
Frequency: 50/60 Hz  
Ceramic hobs  
Voltage: 220-240 V  
1 tray 40 mm deep  
1 insert grill mesh  
1 grid with back stop

### SECONDARY OVEN:



Energy consumption: up to 10% less energy than class A  
Tangential cooling system  
Closed door grilling  
Temperature: from 50 to 245 °C  
1 halogen lamp, power 40 W  
Metal racks, 2 cooking levels  
Electric grill  
1 thermoreflecting door glass  
1 insert grill mesh  
1 grid with back stop  
1 tray 40 mm deep  
Closed door grilling

Frequency: 50/60 Hz  
Current: 56 Amp  
Voltage: 220-240 V  
Voltage 2 (V): 380-415 V  
Electrical connection rating: 12900 W



## CX68CM8

COOKER, 60X60 CM, CONCERTO, STAINLESS STEEL, CERAMIC HOBS

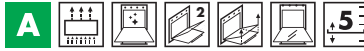


### HOBS:



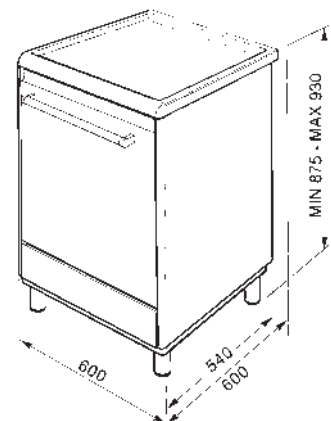
Ceramic hobs  
4 cooking zones  
1 scraper

### MAIN OVEN:



Tangential cooling system  
Closed door grilling  
Electronic 5 buttons  
Electronic timer with start and end of cooking  
Acoustic alarm  
Cleaning function vapor clean  
Temperature: from 40 to 260 °C  
Lighting when door is opened  
1 halogen lamp, power 40 W  
Metal racks, 5 cooking levels  
Electric grill  
1 thermoreflecting door glass  
Removable inner door  
Frequency: 50/60 Hz  
Ceramic hobs  
Voltage: 220-240 V  
1 tray 40 mm deep  
2 grids with back stop  
Closed door grilling  
Closed door grilling

Frequency: 50/60 Hz  
Current: 46 Amp  
Voltage: 220-240 V  
Voltage 2 (V): 380-415 V  
Electrical connection rating: 10500 W



## CX61GV9

COOKER, 60X60 CM, CONCERTO,  
STAINLESS STEEL, GAS HOBS

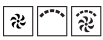


### HOBS:

UR

Gas hobs  
4 cooking zones  
Glossy black enamelled burner caps  
Matt black enamelled pan stands  
Safety valves  
1 moka stand

### MAIN OVEN:



Tangential cooling system  
Closed door grilling  
Minute minder  
Temperature: from 50 to 260 °C  
1 halogen lamp, power 40 W  
Metal racks, 5 cooking levels  
Electric grill  
1 thermoreflecting door glass  
Removable inner door  
Safety valves  
Frequency: 50/60 Hz  
Gas hobs  
Voltage: 220-240 V  
1 tray 40 mm deep  
2 grids with back stop  
Closed door grilling  
Closed door grilling

Frequency: 50/60 Hz  
Current: 9 Amp  
Voltage: 220-240 V  
Electrical connection rating: 1900 W  
Gas connection rating (W): 10750 W

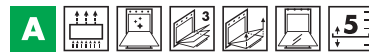
## CX60SV9

COOKER, 60X60 CM, CONCERTO,  
STAINLESS STEEL, GAS HOBS



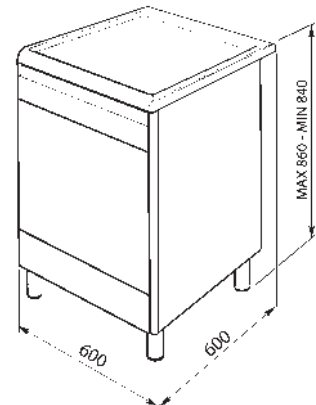
Gas hobs  
4 cooking zones  
Matt black enamelled burner caps  
Matt black enamelled pan stands  
Safety valves  
1 moka stand

### MAIN OVEN:



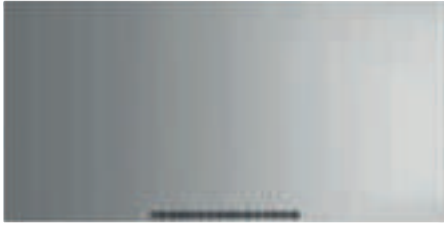
Tangential cooling system  
Closed door grilling  
Minute minder  
Acoustic alarm  
Temperature: from 50 to 260 °C  
1 halogen lamp, power 40 W  
Metal racks, 5 cooking levels  
Electric grill  
1 thermoreflecting door glass  
Removable inner door  
Safety valves  
Frequency: 50/60 Hz  
Gas hobs  
Voltage: 220-240 V  
1 tray 40 mm deep  
2 grids with back stop  
Closed door grilling  
Closed door grilling

Frequency: 50/60 Hz  
Current: 13 Amp  
Voltage: 220-240 V  
Electrical connection rating: 2900 W  
Gas connection rating (W): 7650 W



**KIT1A5-5**

STAINLESS STEEL SPLASH BACK



**KIT1A3-6**

STAINLESS STEEL SPLASH BACK



**KIT1A2-6**

STAINLESS STEEL SPLASH BACK



**KIT1A1-9**

STAINLESS STEEL SPLASH BACK



**KIT90X**

SPLASH BACK, STAINLESS STEEL, 90 CM



**KIT60X**

STAINLESS STEEL SPLASH BACK



**KITC6X**

SPLASH BACK, STAINLESS STEEL, 60 CM



**KITC7X**

SPLASH BACK, STAINLESS STEEL, 70 CM



**KITC8X**

SPLASH BACK, STAINLESS STEEL, 80 CM



**KITC9X**

SPLASH BACK, STAINLESS STEEL, 90 CM



**KITCP8X**

STAINLESS STEEL AND GLASS LID, 80 CM



**KIT1CC9PO**

CORTINA SPLASH BACK, CREAM, OLD SILVER FINISHING



**KIT1CC9PX**

CORTINA SPLASH BACK, CREAM, BRASS FINISHING



**KIT1TR41X**

VICTORIA SPLASH BACK, STAINLESS STEEL



**KIT1TR41N**

VICTORIA SPLASH BACK, BLACK



**KIT1TR9N**

VICTORIA SPLASH BACK, BLACK



**KIT1TR9X**

VICTORIA SPLASH BACK, STAINLESS STEEL



**KITPAX**

KIT 4 FEET, STAINLESS STEEL



**KITPBX**

KIT 4 FEET, STAINLESS STEEL



**KITPD**

KIT 4 FEET, BLACK



**SPG110P**

GLASS SPLASH BACK, CREAM



**SPG110NE**

GLASS SPLASH BACK, BLACK



**KIT2A1-2**

KICK PLATE, STAINLESS STEEL



**KIT2A5-5**

KICK PLATE, STAINLESS STEEL



**KIT2A3-2**

KICK PLATE, STAINLESS STEEL



**KIT2A2-8**

KICK PLATE, STAINLESS STEEL



**TBX6090**

TEPPANYAKI GRILL PLATE



**GT1P-2**

TELESCOPIC GUIDES



**GT1T-2**

TELESCOPIC GUIDES



**GT91P**

TELESCOPIC GUIDES



**AL90**

UPSTAND, STAINLESS STEEL



**AL60**

UPSTAND, STAINLESS STEEL



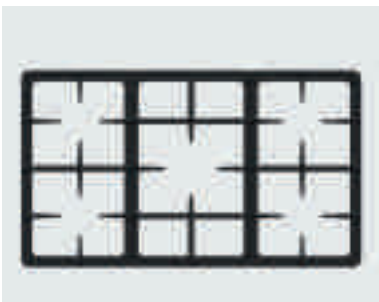
**GRI905**

CAST IRON KIT PAN STAND



**GRI915**

CAST IRON PAN STANDS



**PPR2**

UNIVERSAL PIZZA STONE



**PRTX**

PIZZA STONE





**WOKGHU**

CAST IRON GRIDDLE WOK



**PALPZ**

PIZZA SHOVEL



**BGCPF9**

CAST IRON GRILL PLATE



**TPKCPF9**

TEPPANYAKI GRILL PLATE



**GTA-6**

TELESCOPIC SHELF SET



**AL90X9**

UPSTAND



**KITCPB6X**

60X60 CM LID



**KITCPB9X**

90X60 CM LID



# COOKERS ACCESSORIES

	BGCPF9	GT1P-2	GT1T-2	GTA-6	GT91P	KIT1A1-9	KIT1A1PY-9	KIT1A2-6	KIT1A3-8	KIT1A3-6	KIT1A5-5	KIT1CC9PO	KIT1CC9PX	KIT2A1-9	KIT2A2-8	KIT2A3-2
A1-9		•	•			•								•		
A1A-9		•	•			•								•		
A1BL-9		•	•			•								•		
A1PY-9		•	•				•							•		
A1PYID-9		•	•				•							•		
A2-81				•				•							•	
A2BL-81				•				•							•	
A3-81				•					•							•
A4-81		•	•							•						•
A4BL-81		•	•							•						•
A5-81				•							•					
B60GMX19		•	•													
B60GVX19		•	•													
B6GMX19		•	•													
B6GVX19		•	•													
B7GMX19		•	•													
B7GVX19		•	•													
B8GMX19																
B90GMX19		•	•		•											
B90GVX19		•	•		•											
B9GMB19		•	•		•											
B9GMP19		•	•		•											
B9GMX19		•	•		•											
B9GVX19		•	•		•											
C6CMX8		•	•													
C6GMX18-2		•	•													
C6GVX18-2		•	•													
C6IMX18-2		•	•													
C92GMX8		•	•													
C9GMX9					•											
C9IMX9					•											
C9GMX19		•	•		•											
C9GVX19		•	•		•											
CC9GPO				•								•				
CC9GPX				•									•			
CO68CMA8		•	•													
CO68CMP9		•	•													
CO68GMA8		•	•													
CO68GMP9		•	•													
CPF9GMAN	•	•	•													
CPF9GMBL	•	•	•													
CPF9GMOG	•	•	•													
CPF9GMOR	•	•	•													
CPF9GMR	•	•	•													
CPF9GMWH	•	•	•													
CPF9GMX	•	•	•													
CPF9GMYW	•	•	•													
CPF9GPAN	•	•	•													
CPF9GPBL	•	•	•													
CPF9GPOG	•	•	•													
CPF9GPOR	•	•	•													
CPF9GPR	•	•	•													
CPF9GPWH	•	•	•													
CPF9GPX	•	•	•													
CPF9GPYW	•	•	•													
CPF9IPAN	•	•	•													
CPF9IPBL	•	•	•													
CPF9IPOG	•	•	•													
CPF9IPOR	•	•	•													
CPF9IPR	•	•	•													
CPF9IPWH	•	•	•													
CPF9IPX	•	•	•													
CPF9IPYW	•	•	•													

# COOKERS ACCESSORIES

	KIT2A5-5	KITC6X	KITC7X	KITC8X	KITC9X	KITCP8X	KITPAX	KITPBX	KITPD	PALPZ	PIR2	PPR2	PRTX	TBX6090	WOKGHU
A1-9										•	•	•	•		•
A1A-9										•	•	•	•		•
A1BL-9										•	•	•	•		•
A1PY-9										•	•	•	•		•
A1PYID-9										•	•	•	•		
A2-81										•	•	•	•		
A2BL-81										•	•	•	•		
A3-81										•	•	•	•		
A4-81										•	•	•	•		
A4BL-81										•	•	•	•		
A5-81	•									•	•	•	•		
B60GMX19		•						•	•	•	•	•	•	•	•
B60GVX19		•						•	•					•	•
B6GMX19		•					•	•		•	•	•	•	•	•
B6GVX19		•					•	•						•	•
B7GMX19			•				•	•		•	•	•	•		
B7GVX19			•				•	•							
B8GMX19				•		•				•	•	•	•		
B90GMX19					•			•	•	•	•	•	•	•	•
B90GVX19					•			•	•					•	•
B9GMB19							•	•		•	•	•	•	•	•
B9GMP19							•	•		•	•	•	•	•	•
B9GMX19							•	•		•	•	•	•	•	•
B9GVX19							•	•						•	•
C6CMX8		•					•	•		•	•	•	•	•	
C6GMX18-2		•					•	•		•	•	•	•	•	•
C6GVX18-2		•					•	•						•	•
C6IMX18-2		•					•	•		•	•	•	•		
C92GMX8							•	•		•	•	•	•	•	
C9GMX9							•	•		•	•	•	•	•	•
C9IMX9							•	•		•	•	•	•		
C9GMX19							•	•		•	•	•	•	•	•
C9GVX19							•	•						•	•
CC9GPO										•	•	•	•		
CC9GPX										•	•	•	•		
CO68CMA8								•	•	•	•	•	•		
CO68CMP9								•	•	•	•	•	•		
CO68GMA8								•	•	•	•	•	•		
CO68GMP9								•	•	•	•	•	•		
CPF9GMAN								•	•	•	•	•	•		•
CPF9GMBL								•	•	•	•	•	•		•
CPF9GMOG								•	•	•	•	•	•		•
CPF9GMOR								•	•	•	•	•	•		•
CPF9GMR								•	•	•	•	•	•		•
CPF9GMWH								•	•	•	•	•	•		•
CPF9GMX								•	•	•	•	•	•		•
CPF9GMYW								•	•	•	•	•	•		•
CPF9GPAN								•	•	•	•	•	•		•
CPF9GPBL								•	•	•	•	•	•		•
CPF9GPOG								•	•	•	•	•	•		•
CPF9GPOR								•	•	•	•	•	•		•
CPF9GPR								•	•	•	•	•	•		•
CPF9GPWH								•	•	•	•	•	•		•
CPF9GPX								•	•	•	•	•	•		•
CPF9GPYW								•	•	•	•	•	•		•
CPF9IPAN								•	•	•	•	•	•		•
CPF9IPBL								•	•	•	•	•	•		•
CPF9IPOG								•	•	•	•	•	•		•
CPF9IPOR								•	•	•	•	•	•		•
CPF9IPR								•	•	•	•	•	•		•
CPF9IPWH								•	•	•	•	•	•		•
CPF9IPX								•	•	•	•	•	•		•
CPF9IPYW								•	•	•	•	•	•		•

# COOKERS ACCESSORIES

	AL60	AL90	AL90X9	GRI905	GRI915	GT1P-2	GT1T-2	KIT1TR41N	KIT1TR41X	KIT1TR9N	KIT1TR9X	KIT60X	KIT90X
CP60IX9						•	•					•	
CX60SV9	•					•	•					•	
CX61GV9	•					•	•					•	
CX68M8-1	•					•	•					•	
CX68CM8	•					•	•					•	
SUK62CBL8	•					•	•					•	
SUK62CMX8	•					•	•					•	
SUK92CMX9		•				•	•						•
CC92MX9		•		•		•	•						•
SX91SV9			•		•	•	•						
SX91VJM9						•	•						
SX91GV9-1			•		•	•	•						
BM93BL						•	•						
BM93IBL						•	•						
BM93IP						•	•						
BM93P						•	•						
TR4110AZ						•	•	•					
TR4110RW1						•	•	•					
TR4110S1						•	•	•					
TR4110IBL						•	•	•					
TR4110IP						•	•	•					
TR4110IPG						•	•	•					
TR4110IRW						•	•	•					
TR4110IWH						•	•	•					
TR4110IX						•	•	•	•				
TR60BL						•	•						
TR60IBL						•	•						
TR60IP						•	•						
TR60P						•	•						
TR62BL						•	•						
TR62IBL						•	•						
TR62IP						•	•						
TR62P						•	•						
TR90IBL9						•	•			•			
TR90IP9						•	•			•			
TR90IX9						•	•			•	•		
TR90BL9						•	•			•			
TR90P9						•	•			•			
TR90X9						•	•			•			
TR93BL						•	•			•			
TR93P						•	•			•			
TR93X						•	•			•	•		

## COOKERS ACCESSORIES

	KIT90N9	KIT90X9-1	KITPAX	KITPBX	KITPD	PALPZ	PIR2	PPR2	PRTX	SPG110NE	SPG110P	WOKGHU
CP60IX9			•			•	•	•	•			
CX60SV9			•			•	•	•	•			
CX61GV9			•									
CX68M8-1			•			•	•	•	•			
CX68CM8						•	•	•	•			
SUK62CBL8						•	•	•	•			
SUK62CMX8						•	•	•	•			
SUK92CMX9						•	•	•	•			
CC92MX9				•	•	•	•	•	•			
SX91SV9		•	•			•	•	•	•			
SX91VJM9		•	•	•								
SX91GV9-1		•	•									
BM93BL	•					•	•	•	•			
BM93IBL	•					•	•	•	•			
BM93IP	•					•	•	•	•			
BM93P	•					•	•	•	•			
TR4110AZ						•	•	•	•	•		•
TR4110RW1						•	•	•	•	•		•
TR4110S1						•	•	•	•	•		•
TR4110IBL						•	•	•	•	•		
TR4110IP						•	•	•	•	•	•	
TR4110IPG						•	•	•	•	•		
TR4110IRW						•	•	•	•	•		
TR4110IWH						•	•	•	•	•		
TR4110IX						•	•	•	•	•		
TR60BL						•	•	•	•			•
TR60IBL						•	•	•	•			
TR60IP						•	•	•	•			
TR60P						•	•	•	•			•
TR62BL						•	•	•	•			•
TR62IBL						•	•	•	•			
TR62IP						•	•	•	•			
TR62P						•	•	•	•			•
TR90IBL9						•	•	•	•			
TR90IP9						•	•	•	•			
TR90IX9						•	•	•	•			
TR90BL9						•	•	•	•			•
TR90P9						•	•	•	•			•
TR90X9						•	•	•	•			•
TR93BL						•	•	•	•			•
TR93P						•	•	•	•			•
TR93X						•	•	•	•			•

# HOODS

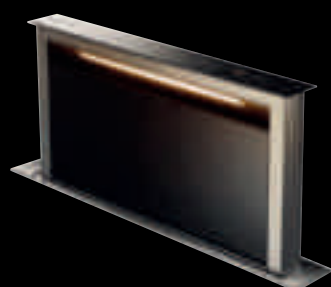
Hoods play an important role in the kitchen, both aesthetic and functional. Designed to offer the best combination of style and functionality, Smeg hoods reflect the elegance of all Smeg aesthetic lines.



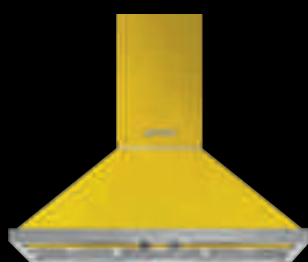
## VERSATILE RANGE

# *functional design*

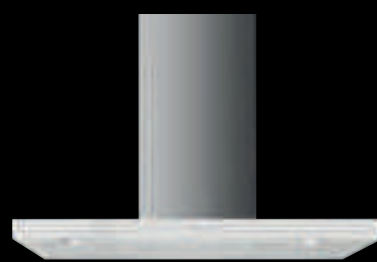
Smeg hoods are both reliable and functional products and they are available in a variety of finishes specifically designed to perfectly match your Smeg hob. The range includes wall mounted, island, integrated hoods and a downdraft extractor.



**DOLCE STIL NOVO**



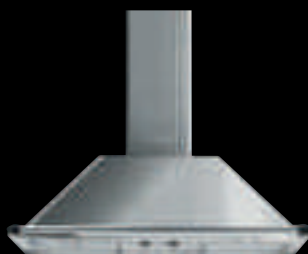
**PORTOFINO**



**LINEA**



**CLASSICA**



**VICTORIA**



**50'S STYLE RETRO**



**CORTINA**



**COLONIALE**



**UNIVERSAL**



## FUNCTIONALITY

# *interpreting needs*

At the design stage, attention to details in terms of style is combined with technical studies which ensure that Smeg hoods will be virtually noiseless and guarantee high extraction performances.



### **AUTOMATIC SWITCH-OFF**

A special setting switches off both the extraction and the lights, after a predefined time, during which the hood keeps on purifying the air until it turns off automatically..



### **TURBO FUNCTION**

Turbo Mode is available when extra fast extraction is required.



### **ENERGY SAVING**

Most of the hoods in the range have energy efficiency class A+.



### **WARNING LIGHTS**

Warning lights advise when filters need to be changed.

## *more than icons*

Inspired by the glamorous shine and smooth forms of the iconic 50's, hoods of this series will be stylish and bright decoration of any kitchen. Available in four expressive colors - black, red, cream and white - they combine all the domestic appliances in the kitchen in a harmonious ensemble. They are made in the same style as the generally recognized design icons - FAB refrigerators and small domestic appliances.





PLUS:



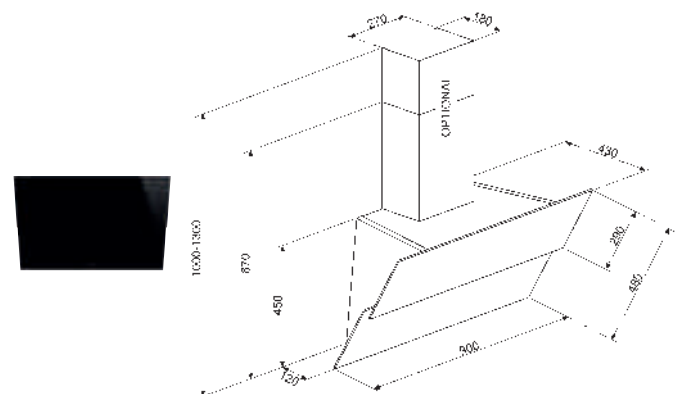
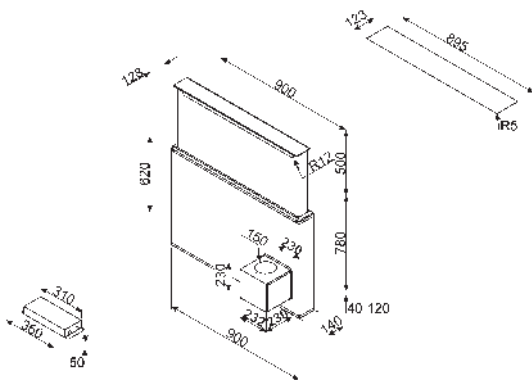
No. of speeds	I	II	III	INT
Extraction rate IEC 61591	230	322	500	730
Noise level IEC 60704-2-13	42	50	59	66



PLUS:



No. of speeds	I	II	III	INT
Extraction rate IEC 61591	345	460	600	770
Noise level IEC 60704-2-13	48	55	61	68





DOUCE STILL  
NOVO

**HOODS**

KSDD90VN-2

## KDD90VXE-2

FULLY INTEGRATED, DOLCE STIL NOVO, 90 CM, UNIVERSAL, STAINLESS STEEL AND BLACK GLASS



### PLUS:



No. of speeds	I	II	III	IV	INT
Extraction rate IEC 61591	160	290	350	430	700
Noise level IEC 60704-2-13	40	53	54	60	70

Motor power: 270 W  
 Free outlet maximum capacity: 725 m<sup>3</sup>/h  
 Black glass  
 Electronic control  
 Touch controls  
 4 speeds  
 Intensive speed  
 Automatic switch-off  
 2 aluminium grease filters  
 Vent outlet Ø 150 mm

Annual Efficiency Consumption (AEC<sub>hood</sub>): 58.3 kWh/year  
 Fluid dynamic efficiency class A  
 Lighting efficiency class A  
 Grease filtering efficiency class D  
 Sound power level at highest setting (L<sub>wa</sub>): 54 dB(A)

Frequency 50-60 Hz  
 Voltage 220-240 V

## KDD60VXE-2

FULLY INTEGRATED, DOLCE STIL NOVO, 60 CM, UNIVERSAL, STAINLESS STEEL AND BLACK GLASS



### PLUS:

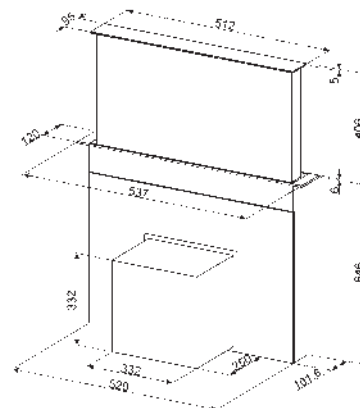
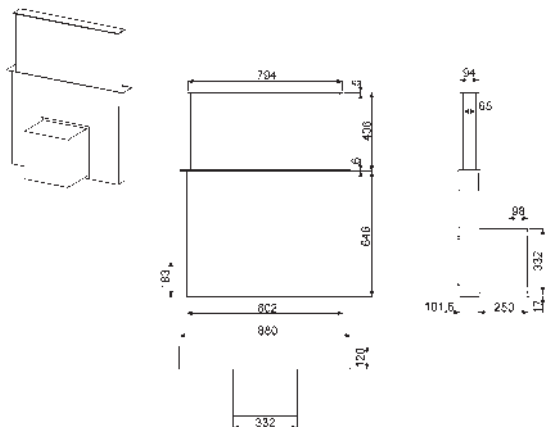


No. of speeds	I	II	III	IV	INT
Extraction rate IEC 61591	135	230	295	375	570
Noise level IEC 60704-2-13	44	52	57	62	71

Motor power: 270 W  
 Free outlet maximum capacity: 590 m<sup>3</sup>/h  
 Black glass  
 Electronic control  
 Touch controls  
 4 speeds  
 Intensive speed  
 Automatic switch-off  
 2 aluminium grease filters  
 Vent outlet Ø 150 mm

Annual Efficiency Consumption (AEC<sub>hood</sub>): 73.4 kWh/year  
 Fluid dynamic efficiency class C  
 Lighting efficiency class A  
 Grease filtering efficiency class E  
 Sound power level at highest setting (L<sub>wa</sub>): 57 dB(A)

Frequency 50-60 Hz  
 Voltage 220-240 V





DOUCE STIL  
NOVO

**HOODS**

KDD90VXE-2

## KPF9AN

WALL DECORATIVE HOOD, 90 CM, PORTOFINO , ANTHRACITE



## KPF9BL

WALL DECORATIVE HOOD, 90 CM, PORTOFINO , BLACK



### PLUS:



No. of speeds	I	II	III	INT
Extraction rate IEC 61591	288	421	630	781
Noise level IEC 60704-2-13	48	63	67	72

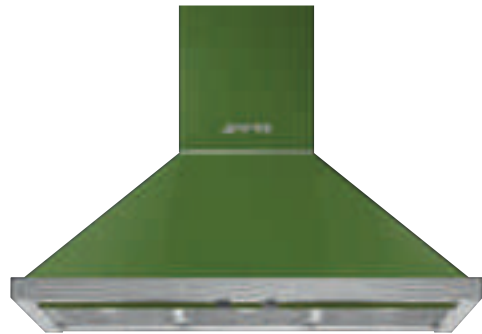
Motor power: 275 W  
 Free outlet maximum capacity: 815 m<sup>3</sup>/h  
 3 speeds  
 Intensive speed  
 3 st/steel grease filters  
 Vent outlet Ø 150 mm  
 Non return valve  
 2 led lamps (2 W)

Annual Efficiency Consumption (AEChood): 40.1 KWh/year  
 Fluid dynamic efficiency class A  
 Lighting efficiency class A  
 Grease filtering efficiency class C  
 Sound power level at highest setting (Lwa): 67 dB(A)

Frequency 50-60 Hz  
 Voltage 220-240 V

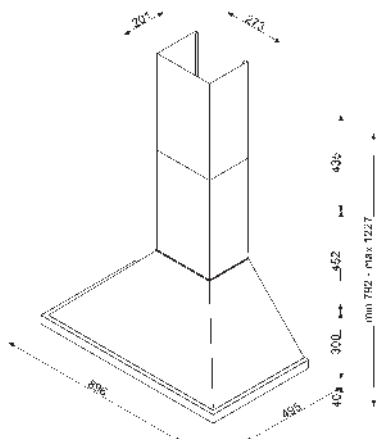
## KPF9OG

WALL DECORATIVE HOOD, 90 CM, PORTOFINO , GREEN



## KPF9OR

WALL DECORATIVE HOOD, 90 CM, PORTOFINO



**KPF9RD**

WALL DECORATIVE HOOD, 90 CM, PORTOFINO , RED



**KPF9WH**

WALL DECORATIVE HOOD, 90 CM, PORTOFINO , WHITE



**KPF9X**

WALL DECORATIVE HOOD, 90 CM, PORTOFINO , STAINLESS STEEL



**KPF9YW**

WALL DECORATIVE HOOD, 90 CM, PORTOFINO , YELLOW



### KPF36URD

WALL DECORATIVE HOOD, 90 CM, PORTOFINO , RED



### KPF36UWH

WALL DECORATIVE HOOD, 90 CM, PORTOFINO , WHITE



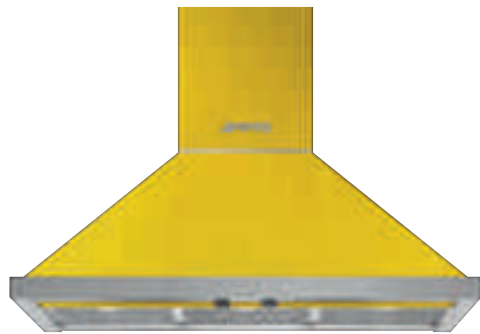
### KPF36UX

WALL DECORATIVE HOOD, 90 CM, PORTOFINO , STAINLESS STEEL



### KPF36UYW

WALL DECORATIVE HOOD, 90 CM, PORTOFINO , YELLOW







## KS905BXE2

WALL DECORATIVE HOOD, 90 CM, LINEA, STEEL AND WHITE GLASS



## KS905NXE2

WALL DECORATIVE HOOD, 90 CM, LINEA, STAINLESS STEEL AND BLACK GLASS



### PLUS:



No. of speeds	I	II	III	INT
Extraction rate IEC 61591	320	401	564	767
Noise level IEC 60704-2-13	50	61	65	73

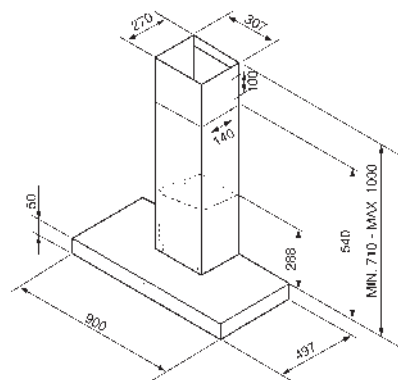
Motor power: 275 W  
 Free outlet maximum capacity: 820 m<sup>3</sup>/h  
 White glass  
 Electronic control  
 Touch controls  
 3 speeds  
 Intensive speed  
 Automatic switch-off  
 3 aluminium grease filters  
 Vent outlet Ø 150 mm  
 Non return valve  
 2 led lamps (1 W)

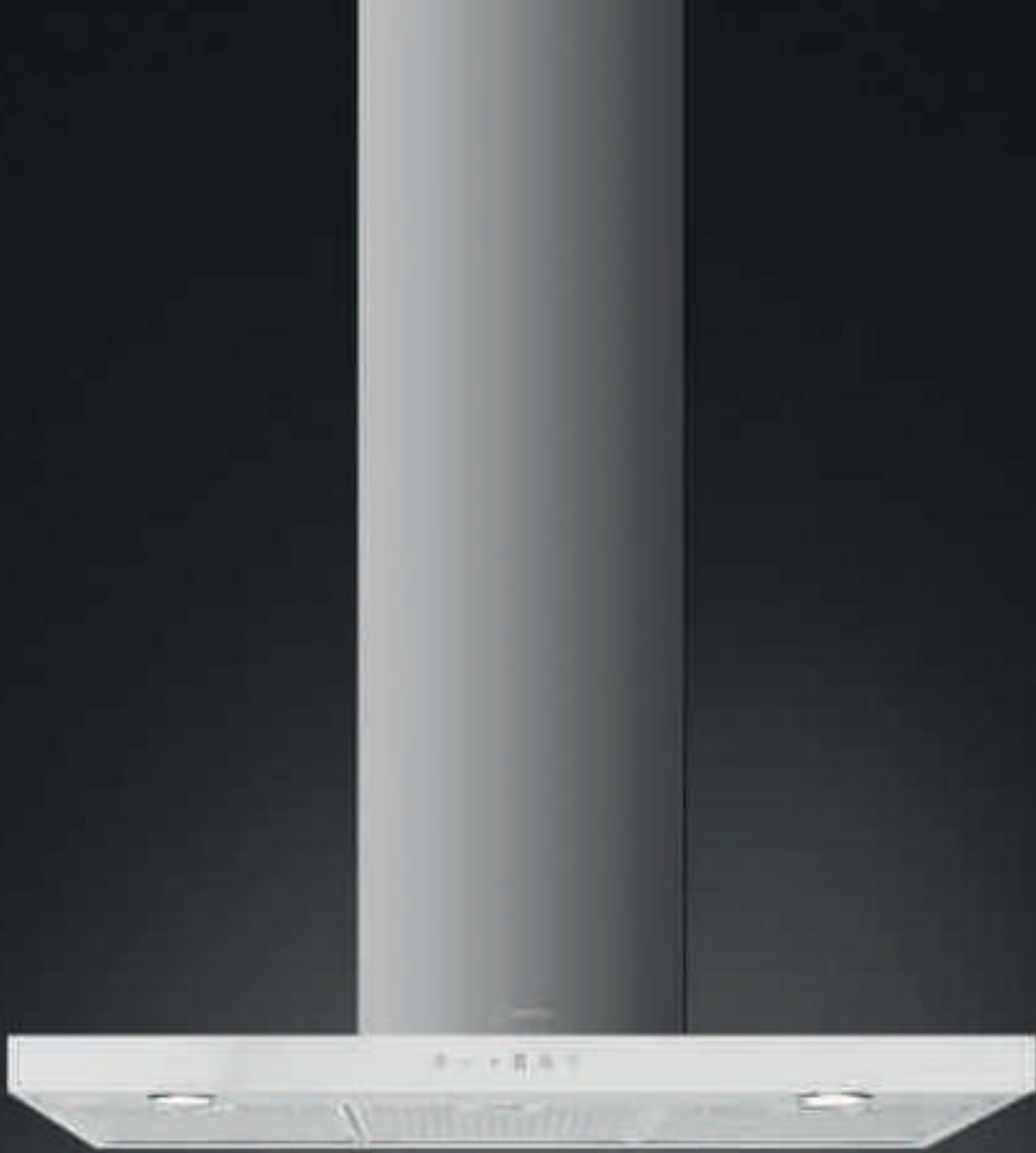
Annual Efficiency Consumption (AEC<sub>hood</sub>): 57.2 kWh/year  
 Fluid dynamic efficiency class A  
 Lighting efficiency class A  
 Grease filtering efficiency class C  
 Sound power level at highest setting (L<sub>wa</sub>): 65 dB(A)

Frequency 50-60 Hz  
 Voltage 220-240 V

## KS905SXE2

WALL DECORATIVE HOOD, 90 CM, LINEA, STEEL AND STOPSOL GLASS





## KI905NXE2

ISLAND DECORATIVE HOOD, 90 CM, LINEA, STAINLESS STEEL AND BLACK GLASS



### PLUS:

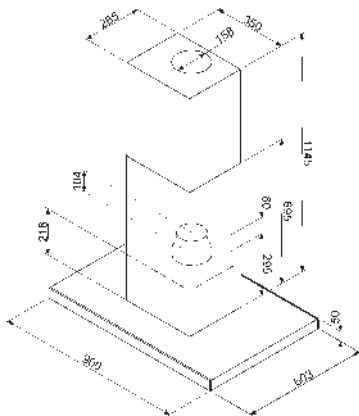


No. of speeds	I	II	III	INT
Extraction rate IEC 61591	266	385	469	703
Noise level IEC 60704-2-13	49	59	61	70

Motor power: 275 W  
 Free outlet maximum capacity: 820 m<sup>3</sup>/h  
 Electronic control  
 Touch controls  
 3 speeds  
 Intensive speed  
 3 aluminium grease filters  
 Vent outlet Ø 150 mm  
 Non return valve  
 4 led lamps (1 W)

Annual Efficiency Consumption (AEC<sub>hood</sub>): 67.6 kWh/year  
 Fluid dynamic efficiency class B  
 Lighting efficiency class A  
 Grease filtering efficiency class C  
 Sound power level at highest setting (L<sub>wa</sub>): 61 dB(A)

Frequency 50-60 Hz  
 Voltage 220-240 V



## KS951NXE2

WALL DECORATIVE HOOD, 90 CM, LINEA, STEEL AND GLASS FRAME



### PLUS:

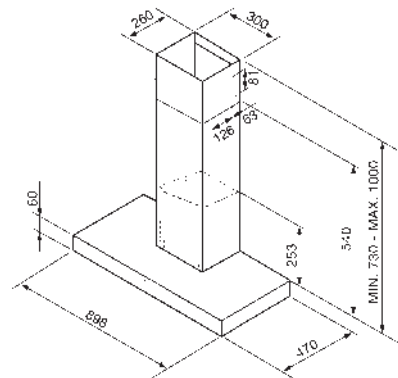


No. of speeds	I	II	III	INT
Extraction rate IEC 61591	311	401	534	756
Noise level IEC 60704-2-13	55	61	66	73

Motor power: 275 W  
 Free outlet maximum capacity: 820 m<sup>3</sup>/h  
 Black glass  
 Electronic control  
 Touch controls  
 3 speeds  
 Intensive speed  
 Automatic switch-off  
 3 st/steel grease filters  
 Vent outlet Ø 150 mm  
 Non return valve  
 2 led lamps (1 W)

Annual Efficiency Consumption (AEC<sub>hood</sub>): 65.5 kWh/year  
 Fluid dynamic efficiency class B  
 Lighting efficiency class A  
 Grease filtering efficiency class C  
 Sound power level at highest setting (L<sub>wa</sub>): 66 dB(A)

Frequency 50-60 Hz  
 Voltage 220-240 V





## KTS75BCE2

WALL DECORATIVE HOOD, 75 CM, LINEA, STEEL AND WHITE GLASS



## KTS75NCE2

WALL DECORATIVE HOOD, 75 CM, LINEA, STAINLESS STEEL AND BLACK GLASS



**PLUS:**



No. of speeds	I	II	III	INT
Extraction rate IEC 61591	278	303	549	714
Noise level IEC 60704-2-13	56	63	65	72

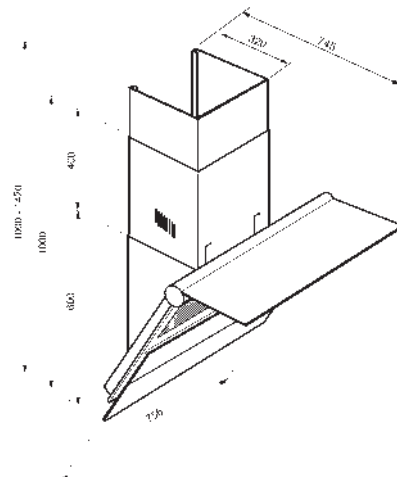
Motor power: 275 W  
 Free outlet maximum capacity: 750 m<sup>3</sup>/h  
 White glass  
 Electronic control  
 Electronic buttons  
 3 speeds  
 Intensive speed  
 Automatic switch-off  
 Single st/steel grease filter  
 Vent outlet Ø 150 mm  
 Non return valve  
 2 led lamps (1 W)

Annual Efficiency Consumption (AEChood): 49.8 kWh/year  
 Fluid dynamic efficiency class A  
 Lighting efficiency class A  
 Grease filtering efficiency class E  
 Sound power level at highest setting (Lwa): 65 dB(A)

Frequency 50-60 Hz  
 Voltage 220-240 V

## KTS75SCE2

WALL DECORATIVE HOOD, 75 CM, LINEA, STEEL AND STOPSOL GLASS



## KS605BXE2

WALL DECORATIVE HOOD, 60 CM, LINEA, STEEL AND WHITE GLASS



### PLUS:



Motor power: 275 W  
Free outlet maximum capacity: 820 m<sup>3</sup>/h  
White glass  
Electronic control  
Touch controls  
3 speeds  
Intensive speed  
Automatic switch-off  
2 aluminium grease filters  
Vent outlet Ø 150 mm  
Non return valve  
2 led lamps (1 W)

Annual Efficiency Consumption (AEC<sub>hood</sub>): 64.7 kWh/year  
Fluid dynamic efficiency class B  
Lighting efficiency class A  
Grease filtering efficiency class C  
Sound power level at highest setting (L<sub>wa</sub>): 63 dB(A)

Frequency 50-60 Hz  
Voltage 220-240 V

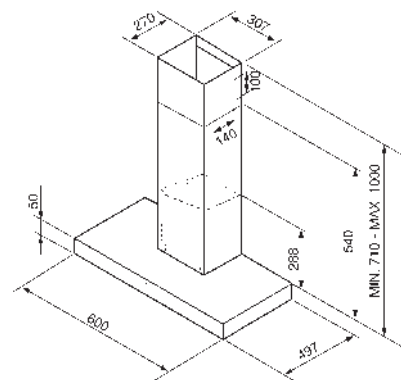
## KS605NXE2

WALL DECORATIVE HOOD, 60 CM, LINEA, STAINLESS STEEL AND BLACK GLASS



## KS605SXE2

WALL DECORATIVE HOOD, 60 CM, LINEA, STEEL AND STOPSOL GLASS



## KCV9BE2

WALL DECORATIVE HOOD, 90 CM, LINEA, STEEL AND WHITE GLASS



## KCV9NE2

WALL DECORATIVE HOOD, 90 CM, LINEA, STAINLESS STEEL AND BLACK GLASS



### PLUS:



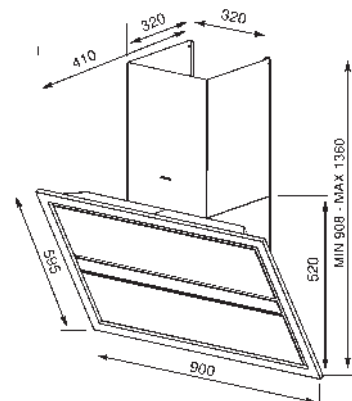
Motor power: 275 W  
Free outlet maximum capacity: 815 m<sup>3</sup>/h  
White glass  
Electronic control  
Touch controls  
3 speeds  
Intensive speed  
Automatic switch-off  
Single st/steel grease filter  
Vent outlet Ø 150 mm  
Non return valve  
2 led lamps (1 W)

Annual Efficiency Consumption (AEChood): 59.9 kWh/year  
Fluid dynamic efficiency class A  
Lighting efficiency class A  
Grease filtering efficiency class G  
Sound power level at highest setting (Lwa): 65 dB(A)

Frequency 50-60 Hz  
Voltage 220-240 V

## KCV9SE2

WALL DECORATIVE HOOD, 90 CM, LINEA, STEEL AND GLASS







## KCV80BE2

WALL DECORATIVE HOOD, 80 CM, LINEA, WHITE



## KCV80NE2

WALL DECORATIVE HOOD, 80 CM, LINEA, BLACK



### PLUS:



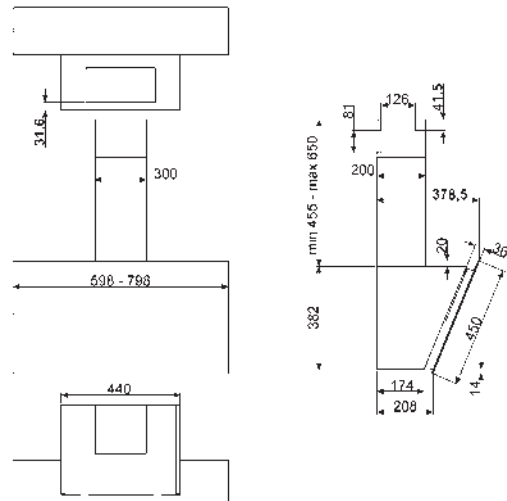
Motor power: 270 W  
Free outlet maximum capacity: 720 m<sup>3</sup>/h  
White glass  
Electronic control  
Touch controls  
3 speeds  
Intensive speed  
2 aluminium grease filters  
Vent outlet Ø 150 mm  
Non return valve  
2 led lamps (1 W)

Annual Efficiency Consumption (AEC<sub>hood</sub>): 56.1 kWh/year  
Fluid dynamic efficiency class A  
Lighting efficiency class A  
Grease filtering efficiency class F  
Sound power level at highest setting (L<sub>wa</sub>): 65 dB(A)

Frequency 50-60 Hz  
Voltage 220-240 V

## KCV80SE2

WALL DECORATIVE HOOD, 80 CM, LINEA, SILVER



## KCV60BE2

WALL DECORATIVE HOOD, 60 CM, LINEA, WHITE



## KCV60NE2

WALL DECORATIVE HOOD, 60 CM, LINEA, BLACK



### PLUS:



No. of speeds	I	II	III	INT
Extraction rate IEC 61591	290	400	560	690
Noise level IEC 60704-2-13	52	59	65	70

Motor power: 270 W  
 Free outlet maximum capacity: 720 m<sup>3</sup>/h  
 White glass  
 Electronic control  
 Touch controls  
 3 speeds  
 Intensive speed  
 2 aluminium grease filters  
 Vent outlet Ø 150 mm  
 Non return valve  
 2 led lamps (1 W)

Annual Efficiency Consumption (AEC<sub>hood</sub>): 56.1 kWh/year  
 Fluid dynamic efficiency class A  
 Lighting efficiency class A  
 Grease filtering efficiency class F  
 Sound power level at highest setting (L<sub>wa</sub>): 65 dB(A)

Frequency 50-60 Hz  
 Voltage 220-240 V

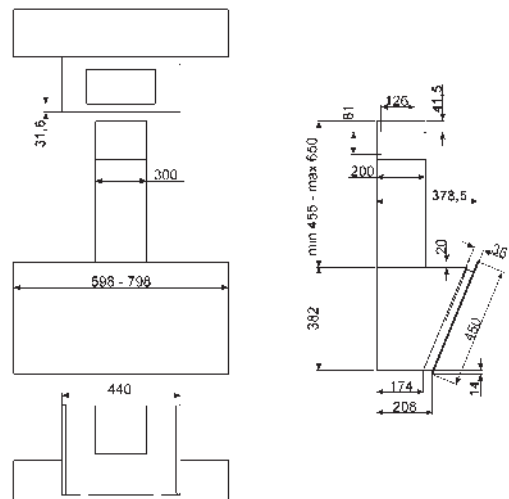
## KCV60SE2

WALL DECORATIVE HOOD, 60 CM, LINEA, SILVER GLASS



LINEA

HOODS



## KSET66VBE2

INTEGRATED HOOD, 60 CM, LINEA, STEEL AND WHITE GLASS



**PLUS:**



No. of speeds	I	II	III
Extraction rate IEC 61591	295	435	580
Noise level IEC 60704-2-13	52	61	68

Motor power: 140 W  
 Free outlet maximum capacity: 620 m<sup>3</sup>/h  
 White glass  
 Slider commands  
 3 speeds  
 2 aluminium grease filters  
 Vent outlet Ø 150 mm  
 Non return valve  
 2 led lamps (1 W)

Annual Efficiency Consumption (AEC<sub>hood</sub>): 77.7 kWh/year  
 Fluid dynamic efficiency class D  
 Lighting efficiency class A  
 Grease filtering efficiency class C  
 Sound power level at highest setting (L<sub>wa</sub>): 68 dB(A)

Frequency 50-60 Hz  
 Voltage 220-240 V

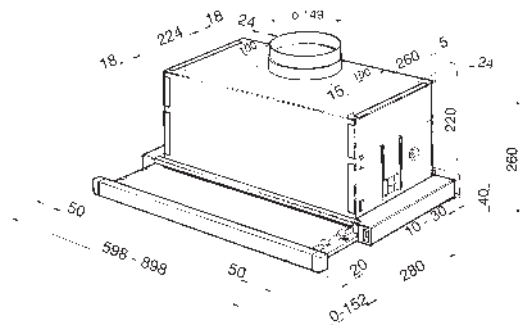
## KSET66VNE2

INTEGRATED HOOD, 60 CM, LINEA, STAINLESS STEEL AND BLACK GLASS



## KSET66VSE2

INTEGRATED HOOD, 60 CM, LINEA, STEEL AND STOPSOL GLASS





## KD150XE

WALL DECORATIVE HOOD, 150 CM, CLASSICA, STAINLESS STEEL



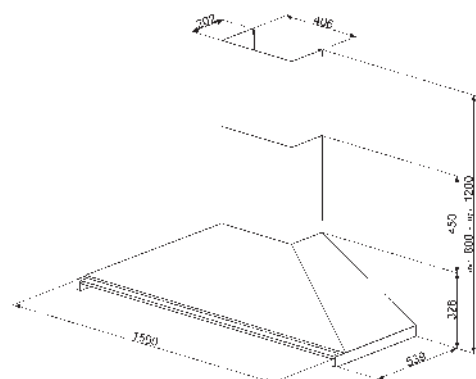
### PLUS:



Motor power: 275 W  
Free outlet maximum capacity: 820 m<sup>3</sup>/h  
Classic knobs  
3 speeds  
Intensive speed  
5 st/steel grease filters  
Vent outlet Ø 150 mm  
Non return valve

Annual Efficiency Consumption (AEC<sub>hood</sub>): 55 kWh/year  
Fluid dynamic efficiency class A  
Lighting efficiency class A  
Grease filtering efficiency class C  
Sound power level at highest setting (L<sub>wa</sub>): 60 dB(A)

Frequency 50-60 Hz  
Voltage 220-240 V





## KD120HXE

WALL DECORATIVE HOOD, 120 CM, CLASSICA, STAINLESS STEEL



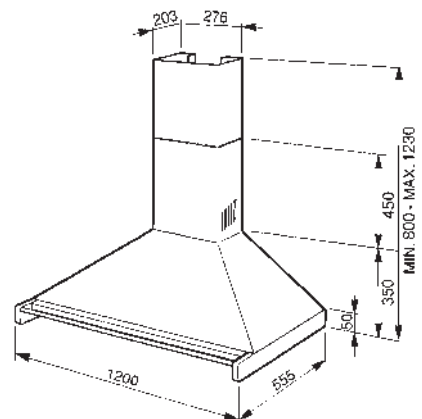
### PLUS:



Motor power: 275 W  
Free outlet maximum capacity: 820 m<sup>3</sup>/h  
Classic knobs  
3 speeds  
Intensive speed  
4 st/steel grease filters  
Vent outlet Ø 150 mm  
Non return valve

Annual Efficiency Consumption (AEC<sub>hood</sub>): 41.6 kWh/year  
Fluid dynamic efficiency class A  
Lighting efficiency class A  
Grease filtering efficiency class D  
Sound power level at highest setting (L<sub>wa</sub>): 67 dB(A)

Frequency 50-60 Hz  
Voltage 220-240 V





## KD100NE

WALL DECORATIVE HOOD, 100 CM, CLASSICA, BLACK



## KD100XE

WALL DECORATIVE HOOD, 100 CM, CLASSICA, STAINLESS STEEL



### PLUS:



No. of speeds	I	II	III	INT
Extraction rate IEC 61591	320	439	545	773
Noise level IEC 60704-2-13	49	57	62	70

Motor power: 275 W

Free outlet maximum capacity: 820 m<sup>3</sup>/h

Classic knobs

3 speeds

Intensive speed

3 st/steel grease filters

Vent outlet Ø 150 mm

Non return valve

2 led lamps (2 W)

Annual Efficiency Consumption (AEC<sub>hood</sub>): 56.5 kWh/year

Fluid dynamic efficiency class A

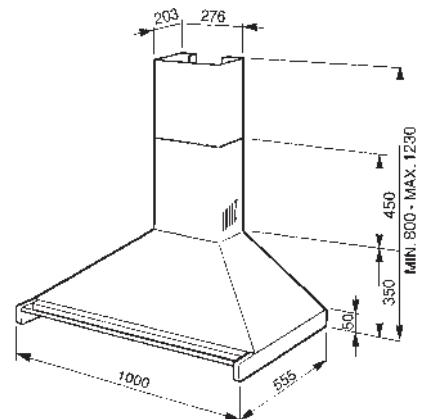
lighting efficiency class A

Grease filtering efficiency class D

Sound power level at highest setting (L<sub>wa</sub>): 62 dB(A)

Frequency 50-60 Hz

Voltage 220-240 V



## KD90HAE

WALL DECORATIVE HOOD, 90 CM, CLASSICA, ANTHRACITE



## KD90HNE

WALL DECORATIVE HOOD, 90 CM, CLASSICA, BLACK



### PLUS:



No. of speeds	I	II	III	INT
Extraction rate IEC 61591	288	421	630	781
Noise level IEC 60704-2-13	48	63	67	72

Motor power: 275 W  
 Free outlet maximum capacity: 815 m<sup>3</sup>/h  
 Classic knobs  
 3 speeds  
 Intensive speed  
 3 st/steel grease filters  
 Vent outlet Ø 150 mm  
 Non return valve  
 2 led lamps (1 W)

Annual Efficiency Consumption (AEC<sub>hood</sub>): 40.3 kWh/year  
 Fluid dynamic efficiency class A  
 Lighting efficiency class A  
 Grease filtering efficiency class C  
 Sound power level at highest setting (L<sub>wa</sub>): 67 dB(A)

Frequency 50-60 Hz  
 Voltage 220-240 V

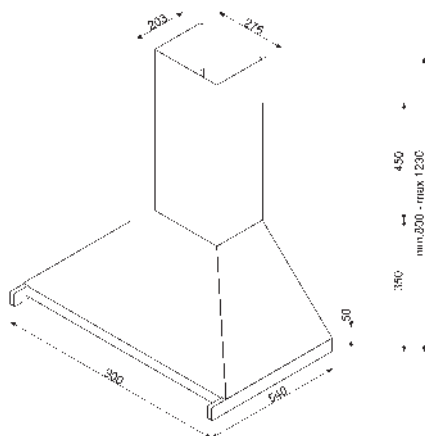
## KD90HXE

WALL DECORATIVE HOOD, 90 CM, CLASSICA, STAINLESS STEEL



## KD90RWE

WALL DECORATIVE HOOD, 90 CM, CLASSICA, RED WINE



## KD70XE

WALL DECORATIVE HOOD, 70 CM, CLASSICA, STAINLESS STEEL



### PLUS:

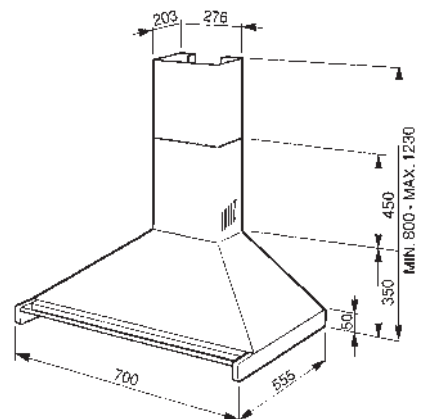


No. of speeds	I	II	III	INT
Extraction rate IEC 61591	323	439	542	761
Noise level IEC 60704-2-13	50	57	62	70

Motor power: 275 W  
 Free outlet maximum capacity: 820 m<sup>3</sup>/h  
 Classic knobs  
 3 speeds  
 Intensive speed  
 2 st/steel grease filters  
 Vent outlet Ø 150 mm  
 Non return valve  
 2 led lamps (2 W)

Annual Efficiency Consumption (AEC<sub>hood</sub>): 62.7 KWh/year  
 Fluid dynamic efficiency class A  
 Lighting efficiency class A  
 Grease filtering efficiency class C  
 Sound power level at highest setting (L<sub>wa</sub>): 62 dB(A)

Frequency 50-60 Hz  
 Voltage 220-240 V



## KTR110XE

WALL DECORATIVE HOOD, 110 CM, VICTORIA, STAINLESS STEEL



### PLUS:

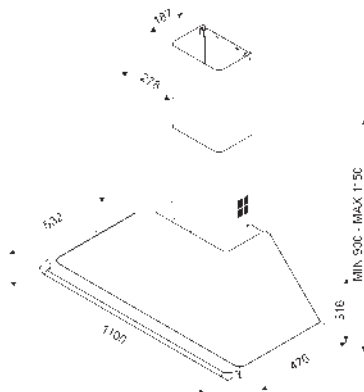


No. of speeds	I	II	III	INT
Extraction rate IEC 61591	326	439	554	784
Noise level IEC 60704-2-13	49	57	63	71

Motor power: 275 W  
 Free outlet maximum capacity: 820 m<sup>3</sup>/h  
 Victoria knobs  
 3 speeds  
 Intensive speed  
 4 aluminium grease filters  
 Vent outlet Ø 150 mm  
 Non return valve  
 2 led lamps (1 W)

Annual Efficiency Consumption (AEC<sub>hood</sub>): 56.9 kWh/year  
 Fluid dynamic efficiency class A  
 Lighting efficiency class A  
 Grease filtering efficiency class D  
 Sound power level at highest setting (L<sub>wa</sub>): 63 dB(A)

Frequency 50-60 Hz  
 Voltage 220-240 V



## KTR90XE

WALL DECORATIVE HOOD, 90 CM, VICTORIA, STAINLESS STEEL



### PLUS:

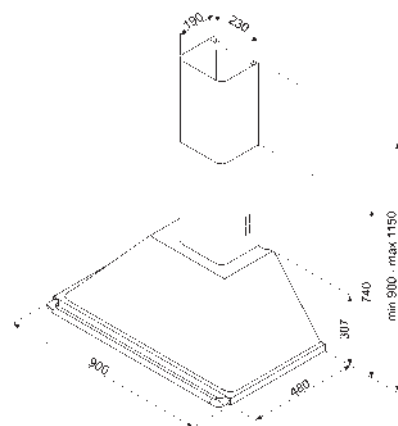


No. of speeds	I	II	III	INT
Extraction rate IEC 61591	334	439	567	788
Noise level IEC 60704-2-13	49	57	61	69

Motor power: 275 W  
 Free outlet maximum capacity: 820 m<sup>3</sup>/h  
 Victoria knobs  
 3 speeds  
 Intensive speed  
 3 aluminium grease filters  
 Vent outlet Ø 150 mm  
 Non return valve  
 2 led lamps (1 W)

Annual Efficiency Consumption (AEC<sub>hood</sub>): 59.4 kWh/year  
 Fluid dynamic efficiency class A  
 Lighting efficiency class A  
 Grease filtering efficiency class C  
 Sound power level at highest setting (L<sub>wa</sub>): 61 dB(A)

Frequency 50-60 Hz  
 Voltage 220-240 V





## KT110BLE

WALL DECORATIVE HOOD, 110 CM, VICTORIA, BLACK



### PLUS:



Motor power: 275 W  
Free outlet maximum capacity: 820 m<sup>3</sup>/h  
Victoria knobs  
3 speeds  
Intensive speed  
4 aluminium grease filters  
Vent outlet Ø 150 mm  
Non return valve  
2 led lamps (1 W)

Annual Efficiency Consumption (AEC<sub>hood</sub>): 56.9 kWh/year  
Fluid dynamic efficiency class A  
Lighting efficiency class A  
Grease filtering efficiency class D  
Sound power level at highest setting (L<sub>wa</sub>): 63 dB(A)

Frequency 50-60 Hz  
Voltage 220-240 V

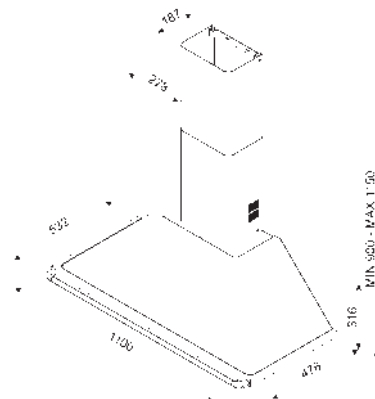
## KT110BE

WALL DECORATIVE HOOD, 110 CM, VICTORIA, WHITE



## KT110PE

WALL DECORATIVE HOOD, 110 CM, VICTORIA, CREAM



## KT90BLE

WALL DECORATIVE HOOD, 90 CM, VICTORIA, BLACK



### PLUS:



Motor power: 275 W  
Free outlet maximum capacity: 820 m<sup>3</sup>/h  
Victoria knobs  
3 speeds  
Intensive speed  
3 aluminium grease filters  
Vent outlet Ø 150 mm  
Non return valve  
2 led lamps (1 W)

Annual Efficiency Consumption (AEC<sub>hood</sub>): 59.4 kWh/year  
Fluid dynamic efficiency class A  
Lighting efficiency class A  
Grease filtering efficiency class C  
Sound power level at highest setting (L<sub>wa</sub>): 61 dB(A)

Frequency 50-60 Hz  
Voltage 220-240 V

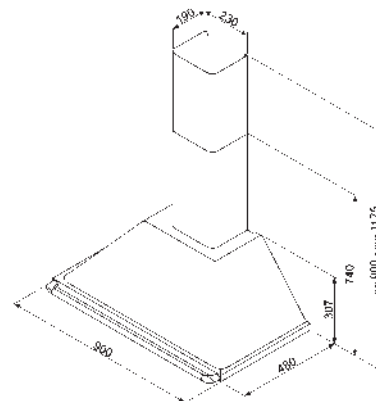
## KT90BE

WALL DECORATIVE HOOD, 90 CM, VICTORIA, WHITE



## KT90PE

WALL DECORATIVE HOOD, 90 CM, VICTORIA, CREAM



## KFAB75BL

WALL DECORATIVE HOOD, 75 CM, 50'S STYLE RETRO , BLACK



## KFAB75CR

WALL DECORATIVE HOOD, 75 CM, 50'S STYLE RETRO , CREAM



### PLUS:



Motor power: 280 W  
Free outlet maximum capacity: 820 m<sup>3</sup>/h  
Electronic control  
Electronic buttons  
3 speeds  
Intensive speed  
Automatic switch-off  
3 st/steel grease filters  
Vent outlet Ø 150 mm  
Non return valve  
2 led lamps (1 W)

Annual Efficiency Consumption (AEC<sub>hood</sub>): 36 kWh/year  
Fluid dynamic efficiency class A  
Lighting efficiency class A  
Grease filtering efficiency class E  
Sound power level at highest setting (L<sub>wa</sub>): 67 dB(A)

Frequency 50-60 Hz  
Voltage 220-240 V

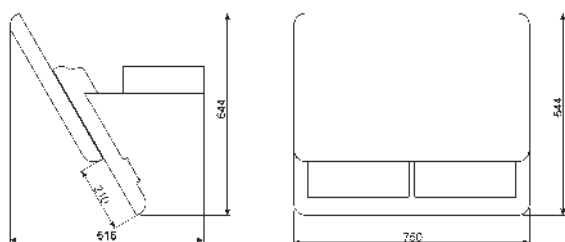
## KFAB75RD

WALL DECORATIVE HOOD, 75 CM, 50'S STYLE RETRO , RED



## KFAB75WH

WALL DECORATIVE HOOD, 75 CM, 50'S STYLE RETRO , WHITE







## KCI19AOE

ISLAND DECORATIVE HOOD, 90 CM, CORTINA, ANTHRACITE, OLD BRASS FINISHING



## KCI19POE

ISLAND DECORATIVE HOOD, 90 CM, CORTINA, CREAM, OLD BRASS FINISHING



### PLUS:

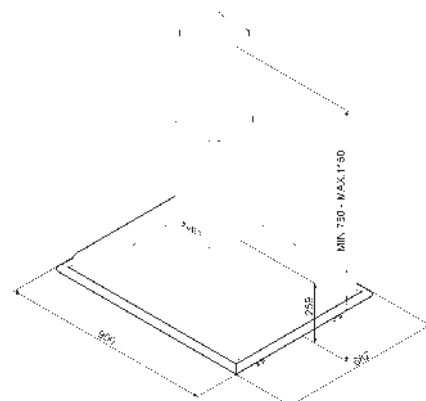


No. of speeds	I	II	III	INT
Extraction rate IEC 61591	321	385	549	796
Noise level IEC 60704-2-13	47	59	61	70

Motor power: 275 W  
 Free outlet maximum capacity: 820 m<sup>3</sup>/h  
 Cortina knobs  
 3 speeds  
 Intensive speed  
 3 aluminium grease filters  
 Vent outlet Ø 150 mm  
 Non return valve  
 4 led lamps (1 W)

Annual Efficiency Consumption (AEC<sub>hood</sub>): 59 kWh/year  
 Fluid dynamic efficiency class A  
 Lighting efficiency class A  
 Grease filtering efficiency class C  
 Sound power level at highest setting (L<sub>wa</sub>): 61 dB(A)

Frequency 50-60 Hz  
 Voltage 220-240 V





## KC19AOE

WALL DECORATIVE HOOD, 90 CM, CORTINA, ANTHRACITE, OLD BRASS FINISHING



**PLUS:**



## KC19BSE

WALL DECORATIVE HOOD, 90 CM, CORTINA, WHITE, OLD SILVER FINISHING



**PLUS:**

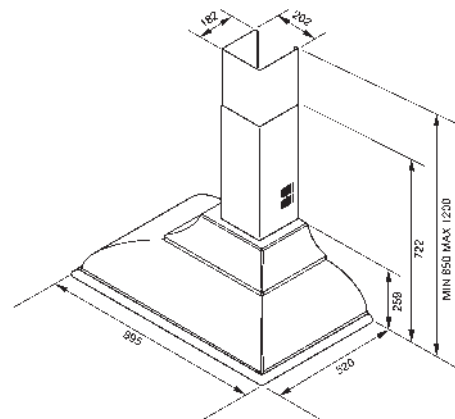


No. of speeds	I	II	III	INT
Extraction rate IEC 61591	326	439	549	794
Noise level IEC 60704-2-13	50	57	62	71

Motor power: 275 W  
 Free outlet maximum capacity: 820 m<sup>3</sup>/h  
 Cortina knobs  
 3 speeds  
 Intensive speed  
 3 aluminium grease filters  
 Vent outlet Ø 150 mm  
 Non return valve  
 2 led lamps (1 W)

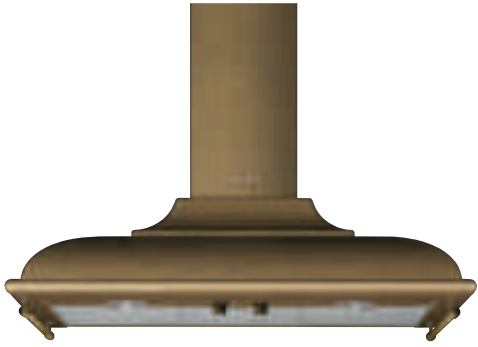
Annual Efficiency Consumption (AEC<sub>hood</sub>): 57.7 kWh/year  
 Fluid dynamic efficiency class A  
 lighting efficiency class A  
 Grease filtering efficiency class C  
 Sound power level at highest setting (L<sub>wa</sub>): 62 dB(A)

Frequency 50-60 Hz  
 Voltage 220-240 V



**KC19OTE**

WALL DECORATIVE HOOD, 90 CM, CORTINA, BRASS, OLD BRASS FINISHING



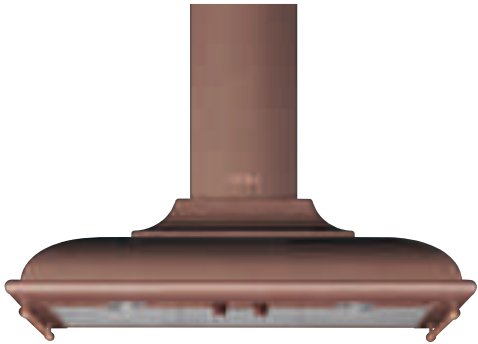
**KC19POE**

WALL DECORATIVE HOOD, 90 CM, CORTINA, CREAM, OLD BRASS FINISHING



**KC19RAE**

WALL DECORATIVE HOOD, 90 CM, CORTINA, COPPER, COPPER FINISHING



**KC19RWE**

WALL DECORATIVE HOOD, 90 CM, CORTINA, RED WINE, CHROME FINISHING



## KC16AOE

WALL DECORATIVE HOOD, 60 CM, CORTINA, ANTHRACITE, OLD BRASS FINISHING



## KC16POE

WALL DECORATIVE HOOD, 60 CM, CORTINA, CREAM, OLD BRASS FINISHING



### PLUS:

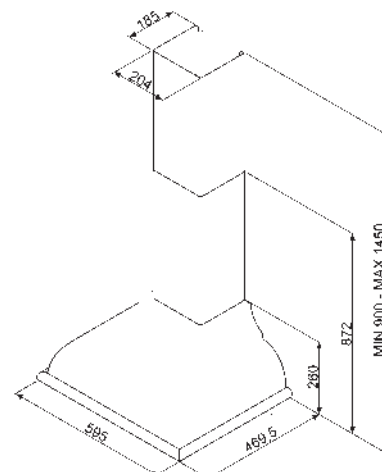


No. of speeds	I	II	III	INT
Extraction rate IEC 61591	337	439	582	798
Noise level IEC 60704-2-13	50	57	64	71

Motor power: 275 W  
 Free outlet maximum capacity: 820 m<sup>3</sup>/h  
 Cortina knobs  
 3 speeds  
 Intensive speed  
 2 aluminium grease filters  
 Vent outlet Ø 150 mm  
 Non return valve  
 2 led lamps (1 W)

Annual Efficiency Consumption (AEC<sub>hood</sub>): 56 kWh/year  
 Fluid dynamic efficiency class A  
 Lighting efficiency class A  
 Grease filtering efficiency class C  
 Sound power level at highest setting (L<sub>wa</sub>): 64 dB(A)

Frequency 50-60 Hz  
 Voltage 220-240 V



## KCM900POE

WALL DECORATIVE HOOD, 90 CM, CORTINA, CREAM, OLD BRASS FINISHING



### PLUS:

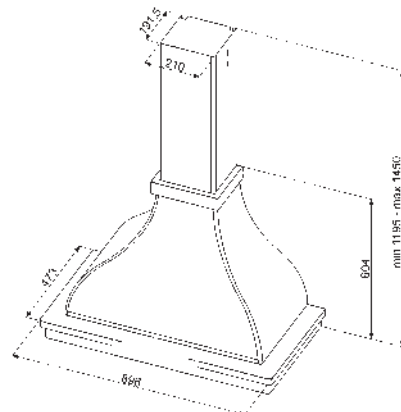


No. of speeds	I	II	III	INT
Extraction rate IEC 61591	326	439	549	794
Noise level IEC 60704-2-13	50	57	62	71

Motor power: 275 W  
 Free outlet maximum capacity: 820 m<sup>3</sup>/h  
 Cortina knobs  
 3 speeds  
 Intensive speed  
 3 aluminium grease filters  
 Vent outlet Ø 150 mm  
 Non return valve  
 2 led lamps (2 W)

Annual Efficiency Consumption (AEC<sub>hood</sub>): 57.7 kWh/year  
 Fluid dynamic efficiency class A  
 Lighting efficiency class A  
 Grease filtering efficiency class C  
 Sound power level at highest setting (L<sub>wa</sub>): 62 dB(A)

Frequency 50-60 Hz  
 Voltage 220-240 V



## KS89AE

WALL DECORATIVE HOOD, 90 CM, COLONIALE, ANTHRACITE, GOLD FINISHING



## KS89AOE

WALL DECORATIVE HOOD, 90 CM, COLONIALE, ANTHRACITE, OLD BRASS FINISHING



PLUS:



No. of speeds	I	II	III	INT
Extraction rate IEC 61591	331	439	547	788
Noise level IEC 60704-2-13	52	57	63	71

Motor power: 275 W  
 Free outlet maximum capacity: 820 m<sup>3</sup>/h  
 Colonial knobs  
 3 speeds  
 Intensive speed  
 3 st/steel grease filters  
 Vent outlet Ø 150 mm  
 Non return valve  
 2 led lamps (1 W)

Annual Efficiency Consumption (AEC<sub>hood</sub>): 55.3 kWh/year  
 Fluid dynamic efficiency class A  
 Lighting efficiency class A  
 Grease filtering efficiency class C  
 Sound power level at highest setting (L<sub>wa</sub>): 63 dB(A)

Frequency 50-60 Hz  
 Voltage 220-240 V

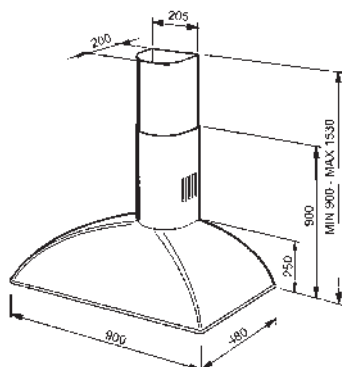
## KS89PE

WALL DECORATIVE HOOD, 90 CM, COLONIALE, GOLD FINISHING



## KS89POE

WALL DECORATIVE HOOD, 90 CM, COLONIALE, OLD BRASS FINISHING







## KCL900POE

WALL DECORATIVE HOOD, 90 CM, COLONIALE, CREAM, OLD BRASS FINISHING, WOOD FRAME NOT INCLUDED



### PLUS:

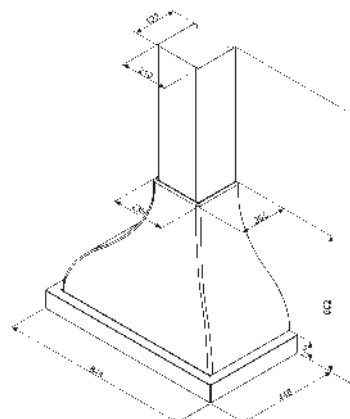


No. of speeds	I	II	III	INT
Extraction rate IEC 61591	326	439	549	794
Noise level IEC 60704-2-13	50	57	62	71

Motor power: 275 W  
 Free outlet maximum capacity: 820 m<sup>3</sup>/h  
 Cortina knobs  
 3 speeds  
 Intensive speed  
 3 aluminium grease filters  
 Vent outlet Ø 150 mm  
 Non return valve  
 2 led lamps (2 W)

Annual Efficiency Consumption (AEC<sub>hood</sub>): 57.7 kWh/year  
 Fluid dynamic efficiency class A  
 Lighting efficiency class A  
 Grease filtering efficiency class C  
 Sound power level at highest setting (L<sub>wa</sub>): 62 dB(A)

Frequency 50-60 Hz  
 Voltage 220-240 V



## KA1VAE

WALL DECORATIVE HOOD, 90 CM, COLONIALE, ANTHRACITE, SILVER FINISHING



### PLUS:



No. of speeds	I	II	III	INT
Extraction rate IEC 61591	331	439	547	788
Noise level IEC 60704-2-13	52	57	63	71

Motor power: 275 W

Free outlet maximum capacity: 820 m<sup>3</sup>/h

Colonial knobs

3 speeds

Intensive speed

3 st/steel grease filters

Vent outlet Ø 150 mm

Non return valve

2 led lamps (1 W)

Annual Efficiency Consumption (AEC<sub>hood</sub>): 55.3 kWh/year

Fluid dynamic efficiency class A

lighting efficiency class A

Grease filtering efficiency class C

Sound power level at highest setting (L<sub>wa</sub>): 63 dB(A)

Frequency 50-60 Hz

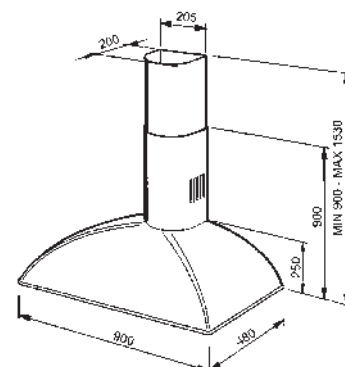
Voltage 220-240 V

## KA1VPE

WALL DECORATIVE HOOD, 90 CM, COLONIALE, CREAM, SILVER FINISHING



### PLUS:



## KS59AE

WALL DECORATIVE HOOD, 60 CM, COLONIALE, ANTHRACITE, GOLD FINISHING, GOLD FINISHING



## KS59AOE

WALL DECORATIVE HOOD, 60 CM, COLONIALE, ANTHRACITE, OLD BRASS FINISHING, OLD BRASS FINISHING



### PLUS:



No. of speeds	I	II	III	INT
Extraction rate IEC 61591	311	439	522	754
Noise level IEC 60704-2-13	49	57	62	70

Motor power: 275 W  
 Free outlet maximum capacity: 820 m<sup>3</sup>/h  
 Colonial knobs  
 3 speeds  
 Intensive speed  
 2 st/steel grease filters  
 Vent outlet Ø 150 mm  
 Non return valve  
 2 led lamps (1 W)

Annual Efficiency Consumption (AEC<sub>hood</sub>): 58.1 kWh/year  
 Fluid dynamic efficiency class A  
 Lighting efficiency class A  
 Grease filtering efficiency class D  
 Sound power level at highest setting (L<sub>wa</sub>): 62 dB(A)

Frequency 50-60 Hz  
 Voltage 220-240 V

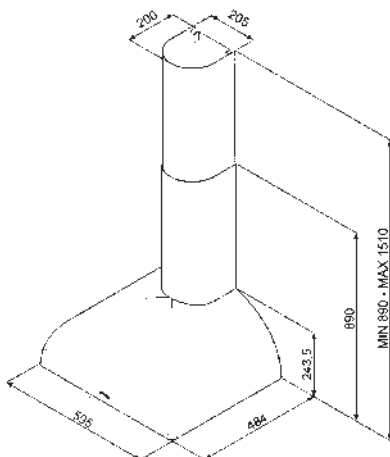
## KS59PE

WALL DECORATIVE HOOD, 60 CM, COLONIALE, CREAM, GOLD FINISHING



## KS59POE

WALL DECORATIVE HOOD, 60 CM, COLONIALE, CREAM, OLD BRASS FINISHING



## KSE86AOE

WALL DECORATIVE HOOD, 60 CM, COLONIALE, ANTHRACITE



## KSE86POE

WALL DECORATIVE HOOD, 60 CM, COLONIALE, CREAM



### PLUS:

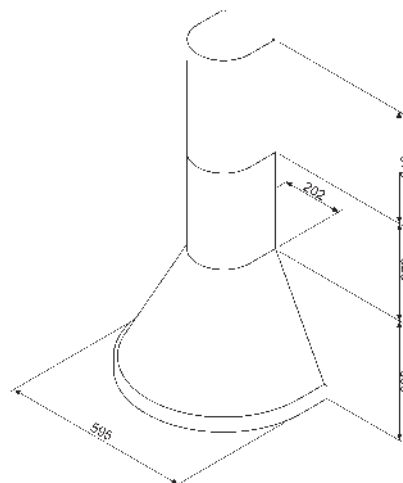


No. of speeds	I	II	III
Extraction rate IEC 61591	318	420	518
Noise level IEC 60704-2-13	52	57	65

Motor power: 200 W  
Free outlet maximum capacity: 600 m<sup>3</sup>/h  
Slider commands  
3 speeds  
Single aluminium grease filter  
Vent outlet Ø 150 mm  
Non return valve  
2 halogen lamps (20 W)

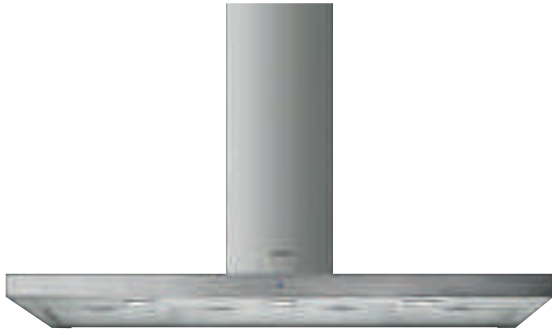
Annual Efficiency Consumption (AEChood): 92.6 kWh/year  
Fluid dynamic efficiency class C  
Lighting efficiency class F  
Grease filtering efficiency class B  
Sound power level at highest setting (Lwa): 65 dB(A)

Frequency 50-60 Hz  
Voltage 220-240 V



## KAT1200HXE

WALL DECORATIVE HOOD, 120 CM, UNIVERSAL, STAINLESS STEEL



### PLUS:

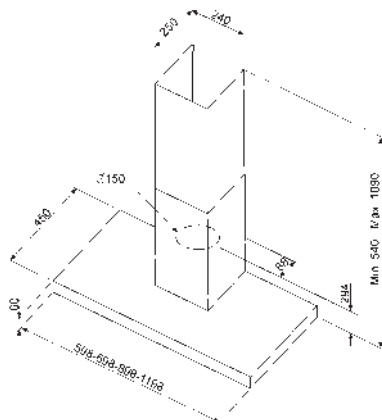


No. of speeds	I	II	III	INT
Extraction rate IEC 61591	240	336	448	603
Noise level IEC 60704-2-13	46	55	62	69

Motor power: 260 W  
 Free outlet maximum capacity: 750 m<sup>3</sup>/h  
 Buttons  
 3 speeds  
 Intensive speed  
 4 aluminium grease filters  
 Vent outlet Ø 150 mm  
 Non return valve  
 3 led lamps (8 W)

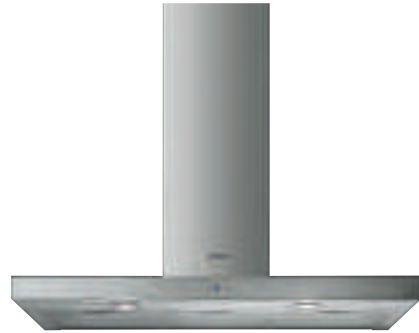
Annual Efficiency Consumption (AEC<sub>hood</sub>): 58.2 KWh/year  
 Fluid dynamic efficiency class B  
 Lighting efficiency class A  
 Grease filtering efficiency class D  
 Sound power level at highest setting (L<sub>wa</sub>): 62 dB(A)

Frequency 50 Hz  
 Voltage 220-240 V

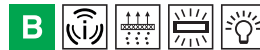


## KAT900HXE

WALL DECORATIVE HOOD, 90 CM, UNIVERSAL, STAINLESS STEEL



### PLUS:

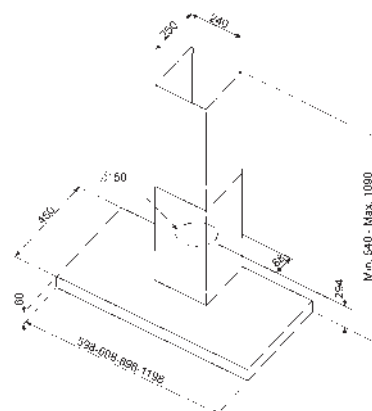


No. of speeds	I	II	III	INT
Extraction rate IEC 61591	240	336	448	603
Noise level IEC 60704-2-13	46	55	62	69

Motor power: 260 W  
 Free outlet maximum capacity: 750 m<sup>3</sup>/h  
 Buttons  
 3 speeds  
 Intensive speed  
 3 aluminium grease filters  
 Vent outlet Ø 150 mm  
 Non return valve  
 2 led lamps (2 W)

Annual Efficiency Consumption (AEC<sub>hood</sub>): 56.4 KWh/year  
 Fluid dynamic efficiency class B  
 Lighting efficiency class A  
 Grease filtering efficiency class D  
 Sound power level at highest setting (L<sub>wa</sub>): 62 dB(A)

Frequency 50 Hz  
 Voltage 220-240 V





## KAT700HXE

WALL DECORATIVE HOOD, 70 CM, UNIVERSAL, STAINLESS STEEL



### PLUS:



No. of speeds	I	II	III	INT
Extraction rate IEC 61591	240	336	448	603
Noise level IEC 60704-2-13	46	55	62	69

Motor power: 260 W  
 Free outlet maximum capacity: 750 m<sup>3</sup>/h  
 Buttons  
 3 speeds  
 Intensive speed  
 2 aluminium grease filters  
 Vent outlet Ø 150 mm  
 Non return valve  
 2 led lamps (2 W)

Annual Efficiency Consumption (AEC<sub>hood</sub>): 56.4 kWh/year  
 Fluid dynamic efficiency class B  
 Lighting efficiency class A  
 Grease filtering efficiency class D  
 Sound power level at highest setting (L<sub>wa</sub>): 62 dB(A)

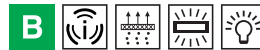
Frequency 50 Hz  
 Voltage 220-240 V

## KAT600HXE

WALL DECORATIVE HOOD, 60 CM, UNIVERSAL, STAINLESS STEEL



### PLUS:

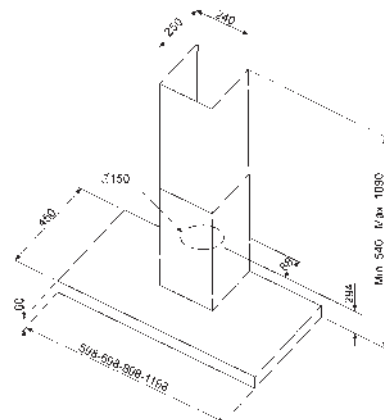
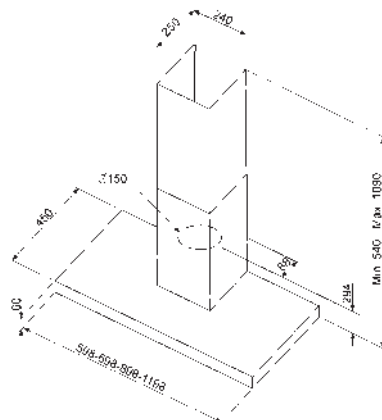


No. of speeds	I	II	III	INT
Extraction rate IEC 61591	240	336	448	603
Noise level IEC 60704-2-13	46	55	62	69

Motor power: 260 W  
 Free outlet maximum capacity: 750 m<sup>3</sup>/h  
 Buttons  
 3 speeds  
 Intensive speed  
 2 aluminium grease filters  
 Vent outlet Ø 150 mm  
 Non return valve  
 2 led lamps (2 W)

Annual Efficiency Consumption (AEC<sub>hood</sub>): 56.4 kWh/year  
 Fluid dynamic efficiency class B  
 Lighting efficiency class A  
 Grease filtering efficiency class D  
 Sound power level at highest setting (L<sub>wa</sub>): 62 dB(A)

Frequency 50 Hz  
 Voltage 220-240 V



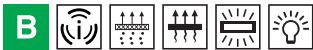


## KET900CHXE

WALL DECORATIVE HOOD, 90 CM, UNIVERSAL, STAINLESS STEEL



**PLUS:**

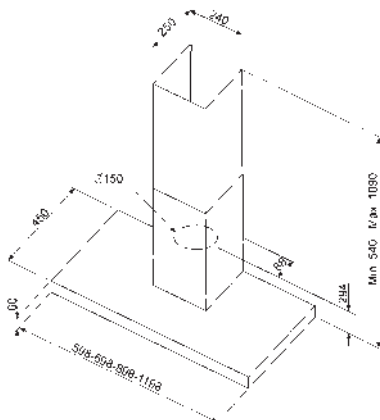


No. of speeds	I	II	III	INT
Extraction rate IEC 61591	240	336	448	603
Noise level IEC 60704-2-13	46	55	62	69

Motor power: 260 W  
 Free outlet maximum capacity: 750 m<sup>3</sup>/h  
 Buttons  
 3 speeds  
 Intensive speed  
 3 aluminium grease filters  
 Vent outlet Ø 150 mm  
 Non return valve  
 2 led lamps (2 W)

Annual Efficiency Consumption (AEC<sub>hood</sub>): 56.4 kWh/year  
 Fluid dynamic efficiency class B  
 Lighting efficiency class A  
 Grease filtering efficiency class D  
 Sound power level at highest setting (L<sub>wa</sub>): 62 dB(A)

Frequency 50 Hz  
 Voltage 220-240 V

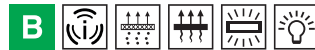


## KET600CHXE

WALL DECORATIVE HOOD, 60 CM, UNIVERSAL, STAINLESS STEEL



**PLUS:**

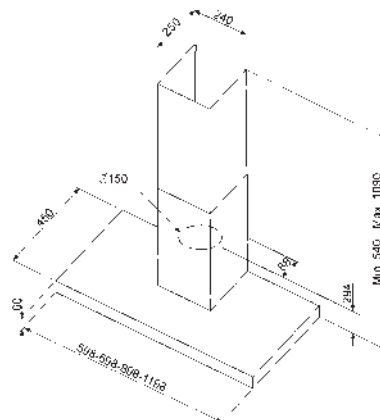


No. of speeds	I	II	III	INT
Extraction rate IEC 61591	240	336	448	603
Noise level IEC 60704-2-13	46	55	62	69

Motor power: 260 W  
 Free outlet maximum capacity: 750 m<sup>3</sup>/h  
 Buttons  
 3 speeds  
 Intensive speed  
 2 aluminium grease filters  
 Vent outlet Ø 150 mm  
 Non return valve  
 2 led lamps (2 W)

Annual Efficiency Consumption (AEC<sub>hood</sub>): 56.4 kWh/year  
 Fluid dynamic efficiency class B  
 Lighting efficiency class A  
 Grease filtering efficiency class D  
 Sound power level at highest setting (L<sub>wa</sub>): 62 dB(A)

Frequency 50 Hz  
 Voltage 220-240 V



## KATE900EX

WALL DECORATIVE HOOD, 90 CM, UNIVERSAL, STAINLESS STEEL



### PLUS:



No. of speeds	I	II	III
Extraction rate IEC 61591	240	370	581
Noise level IEC 60704-2-13	47	56	68

Motor power: 175 W

Free outlet maximum capacity: 612 m<sup>3</sup>/h

Buttons

3 speeds

3 aluminium grease filters

Vent outlet Ø 150 mm

Non return valve

2 halogen lamps (20 W)

Annual Efficiency Consumption (AEC<sub>hood</sub>): 102.4 kWh/year

Fluid dynamic efficiency class C

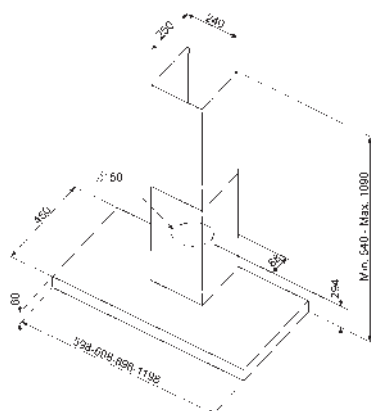
Lighting efficiency class F

Grease filtering efficiency class C

Sound power level at highest setting (L<sub>wa</sub>): 68 dB(A)

Frequency 50-60 Hz

Voltage 220-240 V



## KATE600EX

WALL DECORATIVE HOOD, 60 CM, UNIVERSAL, STAINLESS STEEL



### PLUS:



No. of speeds	I	II	III
Extraction rate IEC 61591	240	370	581
Noise level IEC 60704-2-13	47	56	68

Motor power: 175 W

Free outlet maximum capacity: 612 m<sup>3</sup>/h

Buttons

3 speeds

2 aluminium grease filters

Vent outlet Ø 150 mm

Non return valve

2 halogen lamps (20 W)

Annual Efficiency Consumption (AEC<sub>hood</sub>): 102.5 kWh/year

Fluid dynamic efficiency class C

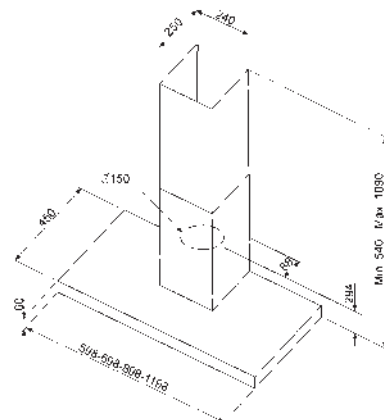
Lighting efficiency class F

Grease filtering efficiency class C

Sound power level at highest setting (L<sub>wa</sub>): 68 dB(A)

Frequency 50-60 Hz

Voltage 220-240 V



## KL190XE

WALL DECORATIVE HOOD, 90 CM, LINEA, STAINLESS STEEL



### PLUS:

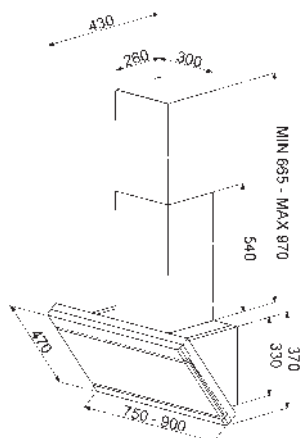


No. of speeds	I	II	III	INT
Extraction rate IEC 61591	304	395	525	782
Noise level IEC 60704-2-13	54	58	65	71

Motor power: 275 W  
 Free outlet maximum capacity: 825 m<sup>3</sup>/h  
 Electronic control  
 Electronic buttons  
 3 speeds  
 Intensive speed  
 Automatic switch-off  
 2 aluminium grease filters  
 Vent outlet Ø 150 mm  
 Non return valve  
 2 led lamps (1 W)

Annual Efficiency Consumption (AEC<sub>hood</sub>): 59.2 KWh/year  
 Fluid dynamic efficiency class A  
 Lighting efficiency class A  
 Grease filtering efficiency class E  
 Sound power level at highest setting (L<sub>wa</sub>): 65 dB(A)

Frequency 50-60 Hz  
 Voltage 220-240 V



## KL175XE

WALL DECORATIVE HOOD, 75 CM, LINEA, STAINLESS STEEL



### PLUS:

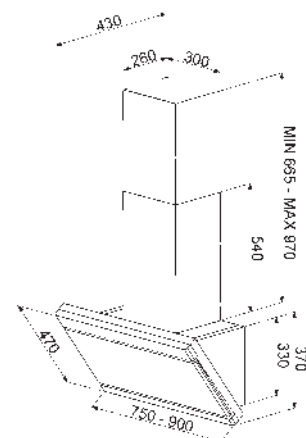


No. of speeds	I	II	III	INT
Extraction rate IEC 61591	304	395	525	782
Noise level IEC 60704-2-13	54	58	65	71

Motor power: 275 W  
 Free outlet maximum capacity: 825 m<sup>3</sup>/h  
 Electronic control  
 Electronic buttons  
 3 speeds  
 Intensive speed  
 Automatic switch-off  
 2 aluminium grease filters  
 Vent outlet Ø 150 mm  
 Non return valve  
 2 led lamps (1 W)

Annual Efficiency Consumption (AEC<sub>hood</sub>): 59.2 KWh/year  
 Fluid dynamic efficiency class A  
 Lighting efficiency class A  
 Grease filtering efficiency class E  
 Sound power level at highest setting (L<sub>wa</sub>): 65 dB(A)

Frequency 50-60 Hz  
 Voltage 220-240 V



## K90XE

WALL DECORATIVE HOOD, 90 CM, UNIVERSAL, STAINLESS STEEL



### PLUS:

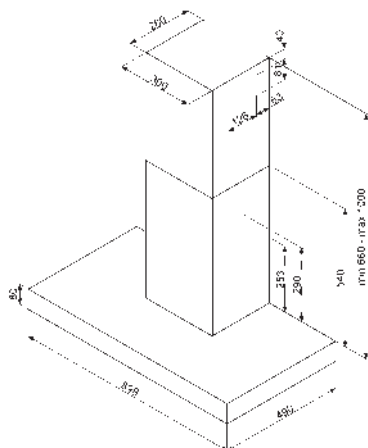


No. of speeds	I	II	III	INT
Extraction rate IEC 61591	306	404	545	755
Noise level IEC 60704-2-13	55	59	65	71

Motor power: 275 W  
 Free outlet maximum capacity: 780 m<sup>3</sup>/h  
 Electronic control  
 Electronic buttons  
 3 speeds  
 Intensive speed  
 Automatic switch-off  
 2 aluminium grease filters  
 Vent outlet Ø 150 mm  
 Non return valve  
 2 led lamps (1 W)

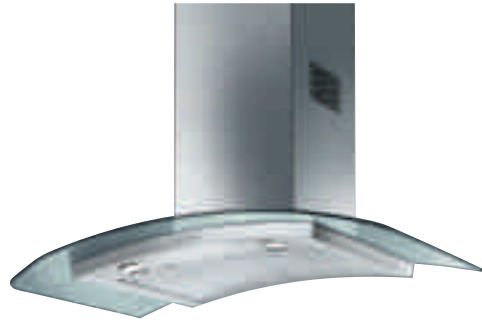
Annual Efficiency Consumption (AEC<sub>hood</sub>): 60.3 kWh/year  
 Fluid dynamic efficiency class B  
 Lighting efficiency class A  
 Grease filtering efficiency class B  
 Sound power level at highest setting (L<sub>wa</sub>): 65 dB(A)

Frequency 50-60 Hz  
 Voltage 220-240 V



## KV90XE

WALL DECORATIVE HOOD, 90 CM, UNIVERSAL, STEEL AND GLASS



### PLUS:

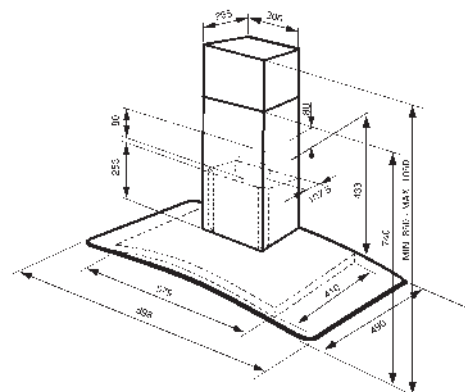


No. of speeds	I	II	III	INT
Extraction rate IEC 61591	313	419	535	764
Noise level IEC 60704-2-13	52	59	64	71

Motor power: 278 W  
 Free outlet maximum capacity: 780 m<sup>3</sup>/h  
 Glass  
 Electronic control  
 Electronic buttons  
 3 speeds  
 Intensive speed  
 Automatic switch-off  
 2 aluminium grease filters  
 Vent outlet Ø 150 mm  
 Non return valve  
 2 led lamps (1 W)

Annual Efficiency Consumption (AEC<sub>hood</sub>): 65.2 kWh/year  
 Fluid dynamic efficiency class B  
 Lighting efficiency class A  
 Grease filtering efficiency class C  
 Sound power level at highest setting (L<sub>wa</sub>): 64 dB(A)

Frequency 50-60 Hz  
 Voltage 220-240 V

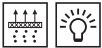


## KSE90XSM3

WALL DECORATIVE HOOD, 90 CM, UNIVERSAL, STAINLESS STEEL



### PLUS:



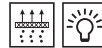
Hood without motor  
Buttons  
1 speed  
3 aluminium grease filters  
Vent outlet Ø 150 mm  
2 halogen lamps (28 W)

## KSE60XSM3

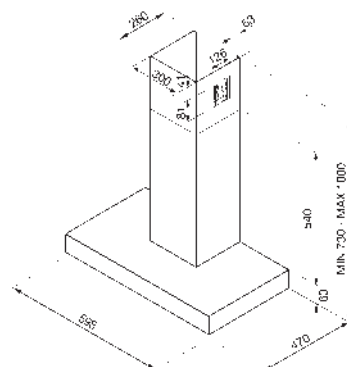
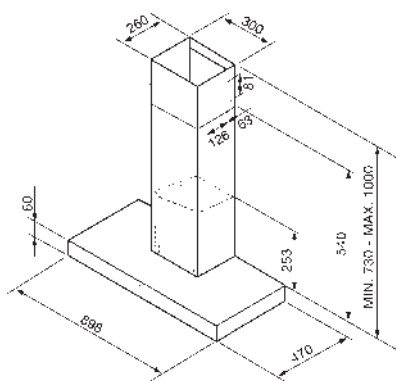
WALL DECORATIVE HOOD, 60 CM, UNIVERSAL, STAINLESS STEEL



### PLUS:



Hood without motor  
Buttons  
1 speed  
2 aluminium grease filters  
Vent outlet Ø 150 mm  
2 halogen lamps (28 W)



## KAP900XE

WALL DECORATIVE HOOD, 90 CM, UNIVERSAL, STAINLESS STEEL



### PLUS:

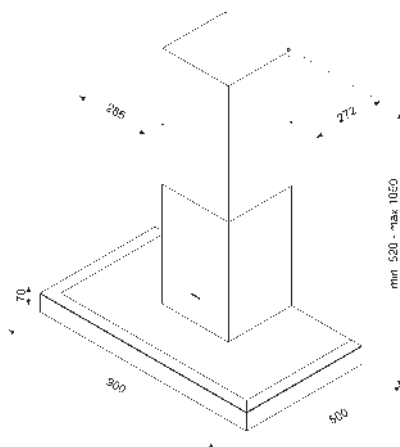


No. of speeds	I	II	III
Extraction rate IEC 61591	219	313	559
Noise level IEC 60704-2-13	44	54	66

Motor power: 200 W  
 Free outlet maximum capacity: 590 m<sup>3</sup>/h  
 Buttons  
 3 speeds  
 3 aluminium grease filters  
 Vent outlet Ø 150 mm  
 Non return valve  
 2 halogen lamps (20 W)

Annual Efficiency Consumption (AEC<sub>hood</sub>): 83.4 KWh/year  
 Fluid dynamic efficiency class B  
 Lighting efficiency class E  
 Grease filtering efficiency class D  
 Sound power level at highest setting (L<sub>wa</sub>): 66 dB(A)

Frequency 50-60 Hz  
 Voltage 220-240 V



## KAP800XE

WALL DECORATIVE HOOD, 80 CM, UNIVERSAL, STAINLESS STEEL



### PLUS:

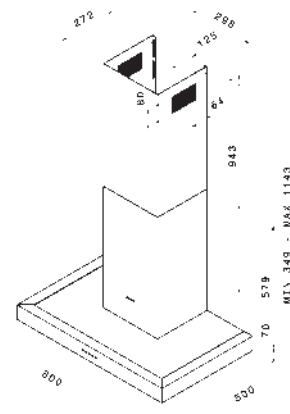


No. of speeds	I	II	III
Extraction rate IEC 61591	241	313	615
Noise level IEC 60704-2-13	46	54	67

Motor power: 200 W  
 Free outlet maximum capacity: 590 m<sup>3</sup>/h  
 Buttons  
 3 speeds  
 2 aluminium grease filters  
 Vent outlet Ø 150 mm  
 Non return valve  
 2 halogen lamps (20 W)

Annual Efficiency Consumption (AEC<sub>hood</sub>): 93.7 KWh/year  
 Fluid dynamic efficiency class C  
 Lighting efficiency class D  
 Grease filtering efficiency class C  
 Sound power level at highest setting (L<sub>wa</sub>): 67 dB(A)

Frequency 50-60 Hz  
 Voltage 220-240 V



## KAP700XE

WALL DECORATIVE HOOD, 70 CM, UNIVERSAL, STAINLESS STEEL



### PLUS:

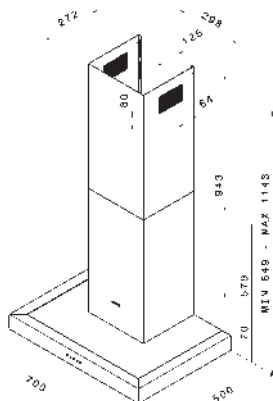


No. of speeds	I	II	III
Extraction rate IEC 61591	227	313	561
Noise level IEC 60704-2-13	45	54	66

Motor power: 200 W  
 Free outlet maximum capacity: 590 m<sup>3</sup>/h  
 Buttons  
 3 speeds  
 2 aluminium grease filters  
 Vent outlet Ø 150 mm  
 Non return valve  
 2 halogen lamps (20 W)

Annual Efficiency Consumption (AEC<sub>hood</sub>): 87.3 kWh/year  
 Fluid dynamic efficiency class C  
 Lighting efficiency class E  
 Grease filtering efficiency class C  
 Sound power level at highest setting (L<sub>wa</sub>): 66 dB(A)

Frequency 50-60 Hz  
 Voltage 220-240 V



## KAP600XE

WALL DECORATIVE HOOD, 60 CM, UNIVERSAL, STAINLESS STEEL



### PLUS:

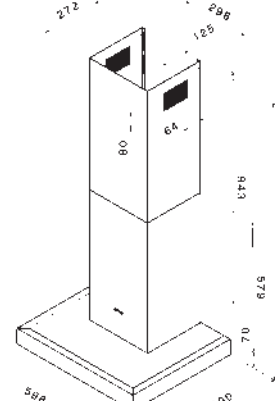


No. of speeds	I	II	III
Extraction rate IEC 61591	227	313	561
Noise level IEC 60704-2-13	45	54	66

Motor power: 200 W  
 Free outlet maximum capacity: 590 m<sup>3</sup>/h  
 Buttons  
 3 speeds  
 2 aluminium grease filters  
 Vent outlet Ø 150 mm  
 Non return valve  
 2 halogen lamps (20 W)

Annual Efficiency Consumption (AEC<sub>hood</sub>): 87.3 kWh/year  
 Fluid dynamic efficiency class C  
 Lighting efficiency class E  
 Grease filtering efficiency class C  
 Sound power level at highest setting (L<sub>wa</sub>): 66 dB(A)

Frequency 50-60 Hz  
 Voltage 220-240 V



## KS120XE-2

WALL DECORATIVE HOOD, 120 CM, UNIVERSAL, STAINLESS STEEL



### PLUS:

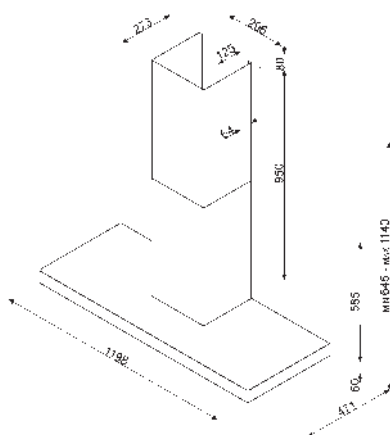


No. of speeds	I	II	III
Extraction rate IEC 61591	242	318	567
Noise level IEC 60704-2-13	46	54	68

Motor power: 200 W  
 Free outlet maximum capacity: 610 m<sup>3</sup>/h  
 Buttons  
 3 speeds  
 4 aluminium grease filters  
 Vent outlet Ø 150 mm  
 Non return valve  
 4 led lamps (1 W)

Annual Efficiency Consumption (AEC<sub>hood</sub>): 58.3 KWh/year  
 Fluid dynamic efficiency class B  
 Lighting efficiency class A  
 Grease filtering efficiency class C  
 Sound power level at highest setting (L<sub>wa</sub>): 68 dB(A)

Frequency 50-60 Hz  
 Voltage 220-240 V



## KS90XE-2

WALL DECORATIVE HOOD, 90 CM, UNIVERSAL, STAINLESS STEEL



### PLUS:

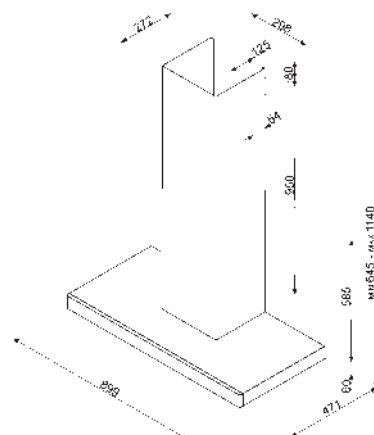


No. of speeds	I	II	III
Extraction rate IEC 61591	232	323	570
Noise level IEC 60704-2-13	47	51	68

Motor power: 200 W  
 Free outlet maximum capacity: 610 m<sup>3</sup>/h  
 Buttons  
 3 speeds  
 3 aluminium grease filters  
 Vent outlet Ø 150 mm  
 Non return valve  
 2 led lamps (1 W)

Annual Efficiency Consumption (AEC<sub>hood</sub>): 54.1 KWh/year  
 Fluid dynamic efficiency class B  
 Lighting efficiency class A  
 Grease filtering efficiency class C  
 Sound power level at highest setting (L<sub>wa</sub>): 68 dB(A)

Frequency 50-60 Hz  
 Voltage 220-240 V





## KS70XE-2

WALL DECORATIVE HOOD, 70 CM, UNIVERSAL, STAINLESS STEEL



**PLUS:**

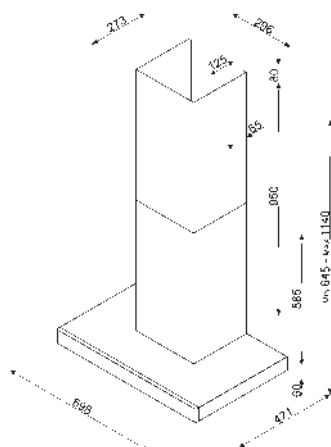


No. of speeds	I	II	III
Extraction rate IEC 61591	235	323	553
Noise level IEC 60704-2-13	46	51	67

Motor power: 200 W  
 Free outlet maximum capacity: 610 m<sup>3</sup>/h  
 Buttons  
 3 speeds  
 2 aluminium grease filters  
 Vent outlet Ø 150 mm  
 Non return valve  
 2 led lamps (1 W)

Annual Efficiency Consumption (AEChood): 53.5 KWh/year  
 Fluid dynamic efficiency class B  
 Lighting efficiency class A  
 Grease filtering efficiency class C  
 Sound power level at highest setting (Lwa): 67 dB(A)

Frequency 50-60 Hz  
 Voltage 220-240 V



## KS60XE-2

WALL DECORATIVE HOOD, 60 CM, UNIVERSAL, STAINLESS STEEL



**PLUS:**

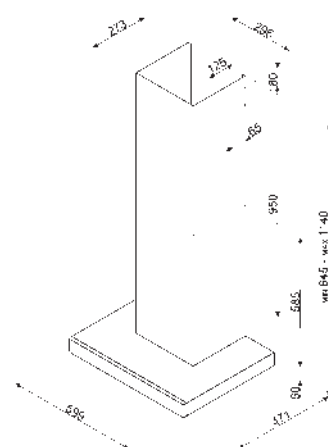


No. of speeds	I	II	III
Extraction rate IEC 61591	235	323	553
Noise level IEC 60704-2-13	46	51	67

Motor power: 200 W  
 Free outlet maximum capacity: 610 m<sup>3</sup>/h  
 Buttons  
 3 speeds  
 2 aluminium grease filters  
 Vent outlet Ø 150 mm  
 Non return valve  
 2 led lamps (1 W)

Annual Efficiency Consumption (AEChood): 53.5 KWh/year  
 Fluid dynamic efficiency class B  
 Lighting efficiency class A  
 Grease filtering efficiency class C  
 Sound power level at highest setting (Lwa): 67 dB(A)

Frequency 50-60 Hz  
 Voltage 220-240 V



## KS9500BLE

WALL DECORATIVE HOOD, 90 CM, UNIVERSAL, BLACK



### PLUS:



No. of speeds	I	II	III	INT
Extraction rate IEC 61591	307	395	558	759
Noise level IEC 60704-2-13	53	58	67	73

Motor power: 275 W  
 Free outlet maximum capacity: 800 m<sup>3</sup>/h  
 Electronic control  
 Electronic buttons  
 3 speeds  
 Intensive speed  
 Automatic switch-off  
 3 aluminium grease filters  
 Vent outlet Ø 150 mm  
 Non return valve  
 2 led lamps (2 W)

Annual Efficiency Consumption (AEC<sub>hood</sub>): 54.3 kWh/year  
 Fluid dynamic efficiency class A  
 Lighting efficiency class A  
 Grease filtering efficiency class C  
 Sound power level at highest setting (L<sub>wa</sub>): 67 dB(A)

Frequency 50-60 Hz  
 Voltage 220-240 V

## KS6500XE

WALL DECORATIVE HOOD, 60 CM, UNIVERSAL, STAINLESS STEEL



### PLUS:



No. of speeds	I	II	III	INT
Extraction rate IEC 61591	314	395	581	732
Noise level IEC 60704-2-13	52	58	67	73

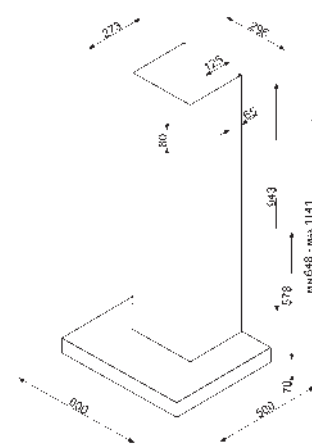
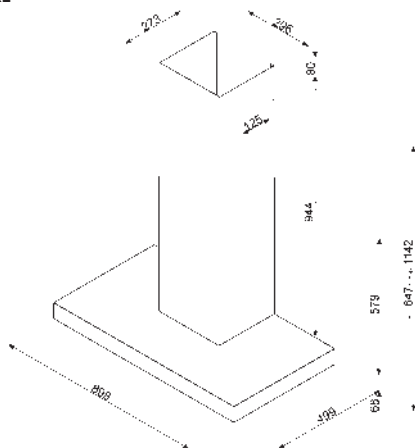
Motor power: 275 W  
 Free outlet maximum capacity: 800 m<sup>3</sup>/h  
 Electronic control  
 Electronic buttons  
 3 speeds  
 Intensive speed  
 Automatic switch-off  
 2 aluminium grease filters  
 Vent outlet Ø 150 mm  
 Non return valve  
 2 led lamps (2 W)

Annual Efficiency Consumption (AEC<sub>hood</sub>): 61.8 kWh/year  
 Fluid dynamic efficiency class B  
 Lighting efficiency class A  
 Grease filtering efficiency class D  
 Sound power level at highest setting (L<sub>wa</sub>): 67 dB(A)

Frequency 50-60 Hz  
 Voltage 220-240 V



### KS9500XE



## KS90XE

WALL DECORATIVE HOOD, 90 CM, UNIVERSAL, STAINLESS STEEL



### PLUS:



No. of speeds	I	II	III
Extraction rate IEC 61591	110	323	585
Noise level IEC 60704-2-13	43	51	65

Motor power: 200 W  
 Free outlet maximum capacity: 610 m<sup>3</sup>/h  
 Buttons  
 3 speeds  
 3 aluminium grease filters  
 Vent outlet Ø 150 mm  
 Non return valve  
 2 halogen lamps (20 W)

Annual Efficiency Consumption (AEC<sub>hood</sub>): 84.5 KWh/year  
 Fluid dynamic efficiency class B  
 Lighting efficiency class E  
 Grease filtering efficiency class C  
 Sound power level at highest setting (L<sub>wa</sub>): 65 dB(A)

Frequency 50-60 Hz  
 Voltage 220-240 V

## KS60XE

WALL DECORATIVE HOOD, 60 CM, UNIVERSAL, STAINLESS STEEL



### PLUS:



No. of speeds	I	II	III
Extraction rate IEC 61591	110	323	585
Noise level IEC 60704-2-13	43	51	65

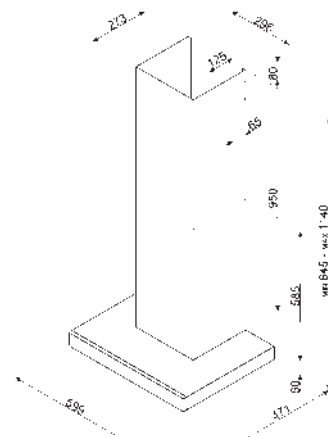
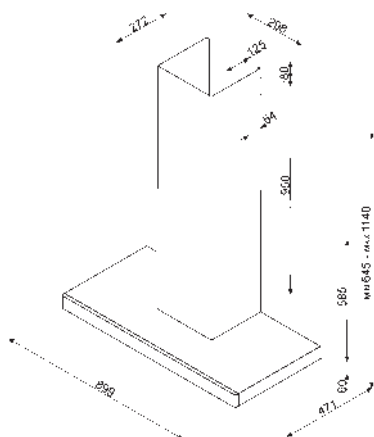
Motor power: 200 W  
 Free outlet maximum capacity: 610 m<sup>3</sup>/h  
 Buttons  
 3 speeds  
 2 aluminium grease filters  
 Vent outlet Ø 150 mm  
 Non return valve  
 2 halogen lamps (20 W)

Annual Efficiency Consumption (AEC<sub>hood</sub>): 84.5 KWh/year  
 Fluid dynamic efficiency class B  
 Lighting efficiency class E  
 Grease filtering efficiency class C  
 Sound power level at highest setting (L<sub>wa</sub>): 65 dB(A)

Frequency 50-60 Hz  
 Voltage 220-240 V



KS90AE



## KS1250XE

WALL DECORATIVE HOOD, 120 CM, UNIVERSAL, STAINLESS STEEL



### PLUS:

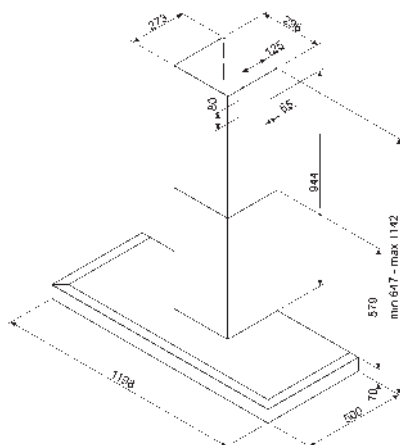


No. of speeds	I	II	III	INT
Extraction rate IEC 61591	295	395	513	702
Noise level IEC 60704-2-13	51	58	64	72

Motor power: 275 W  
 Free outlet maximum capacity: 800 m<sup>3</sup>/h  
 Electronic control  
 Electronic buttons  
 3 speeds  
 Intensive speed  
 Automatic switch-off  
 4 aluminium grease filters  
 Vent outlet Ø 150 mm  
 Non return valve  
 4 led lamps (1 W)

Annual Efficiency Consumption (AEC<sub>hood</sub>): 61.5 KWh/year  
 Fluid dynamic efficiency class B  
 Lighting efficiency class A  
 Grease filtering efficiency class C  
 Sound power level at highest setting (L<sub>wa</sub>): 64 dB(A)

Frequency 50-60 Hz  
 Voltage 220-240 V



## KS110BLE

WALL DECORATIVE HOOD, 110 CM, UNIVERSAL, BLACK



### PLUS:



No. of speeds	I	II	III	INT
Extraction rate IEC 61591	295	395	513	702
Noise level IEC 60704-2-13	51	58	64	72

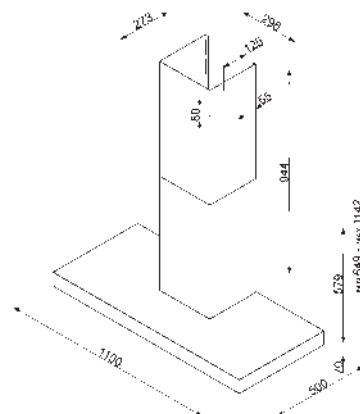
Motor power: 275 W  
 Free outlet maximum capacity: 800 m<sup>3</sup>/h  
 Electronic control  
 Electronic buttons  
 3 speeds  
 Intensive speed  
 Automatic switch-off  
 3 aluminium grease filters  
 Vent outlet Ø 150 mm  
 Non return valve  
 2 led lamps (1 W)

Annual Efficiency Consumption (AEC<sub>hood</sub>): 61.5 KWh/year  
 Fluid dynamic efficiency class B  
 Lighting efficiency class A  
 Grease filtering efficiency class C  
 Sound power level at highest setting (L<sub>wa</sub>): 64 dB(A)

Frequency 50-60 Hz  
 Voltage 220-240 V



### KS110XE





HOODS UNIVERSAL

KS1250XE

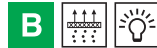


## KFV72DE

WALL DECORATIVE HOOD, 60 CM, UNIVERSAL, STEEL AND GLASS



### PLUS:

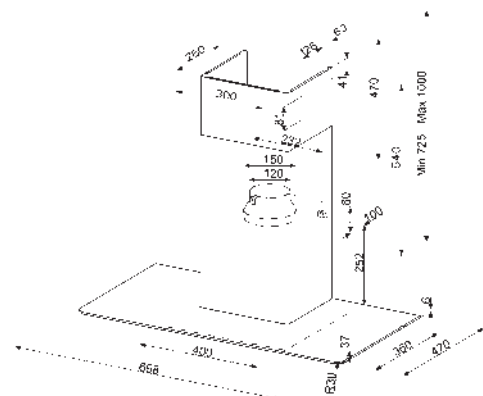


No. of speeds	I	II	III
Extraction rate IEC 61591	290	400	560
Noise level IEC 60704-2-13	52	59	67

Motor power: 270 W  
 Free outlet maximum capacity: 600 m<sup>3</sup>/h  
 Glass  
 Buttons  
 3 speeds  
 Single aluminium grease filter  
 Vent outlet Ø 150 mm  
 2 halogen lamps (20 W)

Annual Efficiency Consumption (AEC<sub>hood</sub>): 80.7 kWh/year  
 Fluid dynamic efficiency class B  
 Lighting efficiency class F  
 Grease filtering efficiency class C  
 Sound power level at highest setting (L<sub>wa</sub>): 67 dB(A)

Frequency 50-60 Hz  
 Voltage 220-240 V



## KFV62DBE

WALL DECORATIVE HOOD, 60 CM, UNIVERSAL, STEEL AND WHITE GLASS



## KFV62DE

WALL DECORATIVE HOOD, 60 CM, UNIVERSAL, STEEL AND GLASS



### PLUS:



No. of speeds	I	II	III
Extraction rate IEC 61591	290	400	560
Noise level IEC 60704-2-13	52	59	67

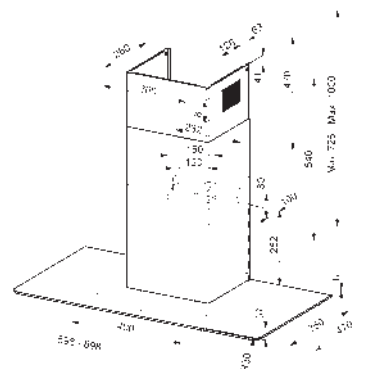
Motor power: 270 W  
 Free outlet maximum capacity: 600 m<sup>3</sup>/h  
 Buttons  
 3 speeds  
 Single aluminium grease filter  
 Vent outlet Ø 150 mm  
 2 halogen lamps (20 W)

Annual Efficiency Consumption (AEC<sub>hood</sub>): 80.7 kWh/year  
 Fluid dynamic efficiency class B  
 Lighting efficiency class F  
 Grease filtering efficiency class C  
 Sound power level at highest setting (L<sub>wa</sub>): 67 dB(A)

Frequency 50-60 Hz  
 Voltage 220-240 V

## KFV62DNE

WALL DECORATIVE HOOD, 60 CM, UNIVERSAL, STAINLESS STEEL AND BLACK GLASS





## KI120XE

ISLAND DECORATIVE HOOD, 120 CM, UNIVERSAL, STAINLESS STEEL



### PLUS:

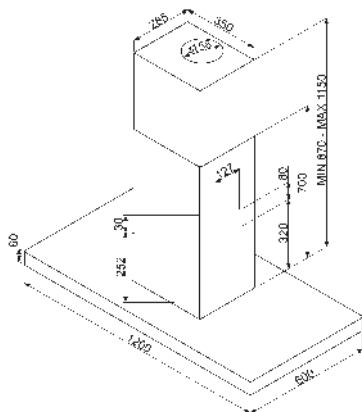


No. of speeds	I	II	III	INT
Extraction rate IEC 61591	316	385	529	783
Noise level IEC 60704-2-13	48	59	62	70

Motor power: 275 W  
 Free outlet maximum capacity: 820 m<sup>3</sup>/h  
 Electronic control  
 Electronic buttons  
 3 speeds  
 Intensive speed  
 Automatic switch-off  
 4 aluminium grease filters  
 Vent outlet Ø 150 mm  
 Non return valve  
 4 led lamps (1 W)

Annual Efficiency Consumption (AEC<sub>hood</sub>): 63.6 KWh/year  
 Fluid dynamic efficiency class A  
 Lighting efficiency class A  
 Grease filtering efficiency class C  
 Sound power level at highest setting (L<sub>wa</sub>): 62 dB(A)

Frequency 50-60 Hz  
 Voltage 220-240 V



## KI90XE

ISLAND DECORATIVE HOOD, 90 CM, UNIVERSAL, STAINLESS STEEL



### PLUS:

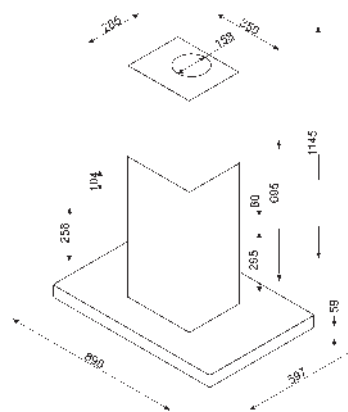


No. of speeds	I	II	III	INT
Extraction rate IEC 61591	311	385	533	740
Noise level IEC 60704-2-13	49	59	63	71

Motor power: 275 W  
 Free outlet maximum capacity: 820 m<sup>3</sup>/h  
 Electronic control  
 Electronic buttons  
 3 speeds  
 Intensive speed  
 Automatic switch-off  
 3 aluminium grease filters  
 Vent outlet Ø 150 mm  
 Non return valve  
 4 led lamps (1 W)

Annual Efficiency Consumption (AEC<sub>hood</sub>): 65.8 KWh/year  
 Fluid dynamic efficiency class B  
 Lighting efficiency class A  
 Grease filtering efficiency class C  
 Sound power level at highest setting (L<sub>wa</sub>): 63 dB(A)

Frequency 50-60 Hz  
 Voltage 220-240 V



## KIV90XE

ISLAND DECORATIVE HOOD, 90 CM, UNIVERSAL, GLASS AND STAINLESS STEEL



PLUS:

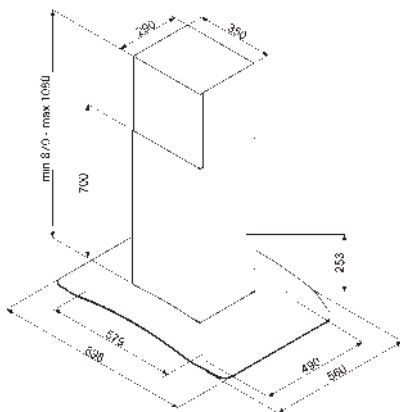


No. of speeds	I	II	III	INT
Extraction rate IEC 61591	310	387	535	750
Noise level IEC 60704-2-13	50	58	62	71

Motor power: 275 W  
 Free outlet maximum capacity: 820 m<sup>3</sup>/h  
 Glass  
 Electronic control  
 Electronic buttons  
 3 speeds  
 Intensive speed  
 Automatic switch-off  
 2 aluminium grease filters  
 Vent outlet Ø 150 mm  
 Non return valve  
 4 led lamps (1 W)

Annual Efficiency Consumption (AEC<sub>hood</sub>): 64.4 kWh/year  
 Fluid dynamic efficiency class A  
 Lighting efficiency class A  
 Grease filtering efficiency class C  
 Sound power level at highest setting (L<sub>wa</sub>): 62 dB(A)

Frequency 50-60 Hz  
 Voltage 220-240 V



## KEIV90E

ISLAND DECORATIVE HOOD, 90 CM, UNIVERSAL, STAINLESS STEEL



PLUS:

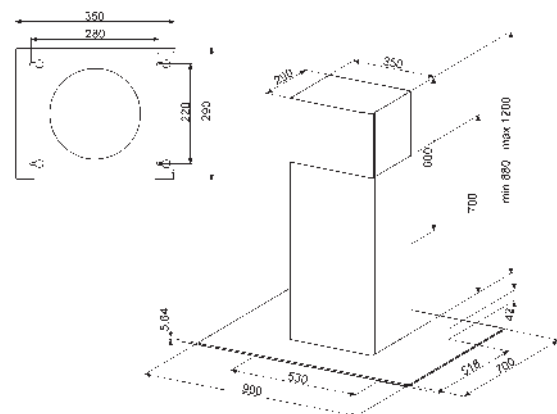


No. of speeds	I	II	III	INT
Extraction rate IEC 61591	300	400	560	700
Noise level IEC 60704-2-13	56	60	66	70

Motor power: 270 W  
 Free outlet maximum capacity: 720 m<sup>3</sup>/h  
 Glass  
 Electronic control  
 Electronic buttons  
 3 speeds  
 Intensive speed  
 2 aluminium grease filters  
 Vent outlet Ø 150 mm  
 4 led lamps (1 W)

Annual Efficiency Consumption (AEC<sub>hood</sub>): 60.5 kWh/year  
 Fluid dynamic efficiency class A  
 Lighting efficiency class A  
 Grease filtering efficiency class C  
 Sound power level at highest setting (L<sub>wa</sub>): 66 dB(A)

Frequency 50 Hz  
 Voltage 220-240 V





## KDE900EX

WALL DECORATIVE HOOD, 90 CM, UNIVERSAL, STAINLESS STEEL, STAINLESS STEEL FINISHING



### PLUS:



No. of speeds	I	II	III
Extraction rate IEC 61591	202	307	553
Noise level IEC 60704-2-13	42	52	65

Motor power: 180 W  
 Free outlet maximum capacity: 588 m<sup>3</sup>/h  
 Buttons  
 3 speeds  
 3 aluminium grease filters  
 Vent outlet Ø 150 mm  
 Non return valve  
 2 halogen lamps (28 W)

Annual Efficiency Consumption (AEC<sub>hood</sub>): 139.2 kWh/year  
 Fluid dynamic efficiency class E  
 Lighting efficiency class G  
 Grease filtering efficiency class C  
 Sound power level at highest setting (L<sub>wa</sub>): 67 dB(A)

Frequency 50-60 Hz  
 Voltage 220-240 V

## KDE600EX

WALL DECORATIVE HOOD, 60 CM, UNIVERSAL, STAINLESS STEEL, STAINLESS STEEL FINISHING



### PLUS:

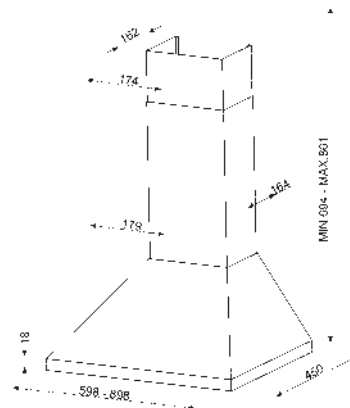
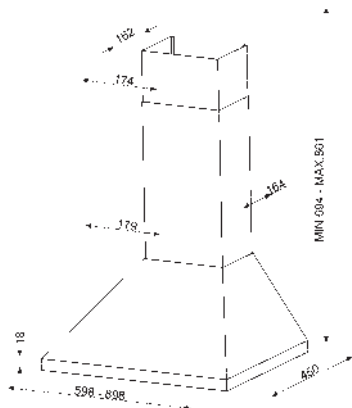


No. of speeds	I	II	III
Extraction rate IEC 61591	202	307	553
Noise level IEC 60704-2-13	42	52	65

Motor power: 180 W  
 Free outlet maximum capacity: 588 m<sup>3</sup>/h  
 Buttons  
 3 speeds  
 2 aluminium grease filters  
 Vent outlet Ø 150 mm  
 Non return valve  
 2 halogen lamps (28 W)

Annual Efficiency Consumption (AEC<sub>hood</sub>): 139.2 kWh/year  
 Fluid dynamic efficiency class E  
 Lighting efficiency class G  
 Grease filtering efficiency class C  
 Sound power level at highest setting (L<sub>wa</sub>): 67 dB(A)

Frequency 50-60 Hz  
 Voltage 220-240 V





UNIVERSAL

**HOODS**

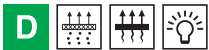
KDE900EX

## KDC91XE

WALL DECORATIVE HOOD, 90 CM, UNIVERSAL, STAINLESS STEEL



### PLUS:



No. of speeds	I	II	III
Extraction rate IEC 61591	300	440	570
Noise level IEC 60704-2-13	50	58	71

Motor power: 140 W  
 Free outlet maximum capacity: 600 m<sup>3</sup>/h  
 Slider commands  
 3 speeds  
 3 aluminium grease filters  
 Vent outlet Ø 150 mm  
 2 halogen lamps (28 W)

Annual Efficiency Consumption (AEC<sub>hood</sub>): 118 kWh/year  
 Fluid dynamic efficiency class D  
 Lighting efficiency class G  
 Grease filtering efficiency class C  
 Sound power level at highest setting (L<sub>wa</sub>): 71 dB(A)

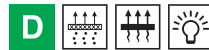
Frequency 50-60 Hz  
 Voltage 220-240 V

## KDC61XE

WALL DECORATIVE HOOD, 60 CM, UNIVERSAL, STAINLESS STEEL



### PLUS:

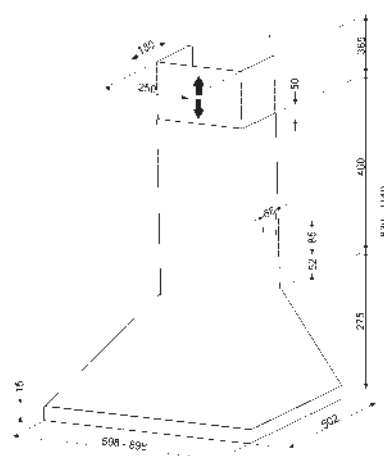
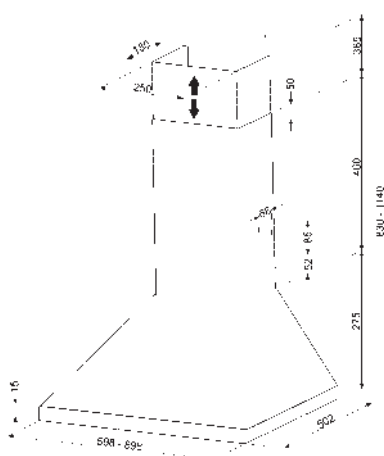


No. of speeds	I	II	III
Extraction rate IEC 61591	300	440	570
Noise level IEC 60704-2-13	50	58	71

Motor power: 140 W  
 Free outlet maximum capacity: 600 m<sup>3</sup>/h  
 Slider commands  
 3 speeds  
 2 aluminium grease filters  
 Vent outlet Ø 150 mm  
 2 halogen lamps (28 W)

Annual Efficiency Consumption (AEC<sub>hood</sub>): 118 kWh/year  
 Fluid dynamic efficiency class D  
 Lighting efficiency class G  
 Grease filtering efficiency class C  
 Sound power level at highest setting (L<sub>wa</sub>): 71 dB(A)

Frequency 50-60 Hz  
 Voltage 220-240 V



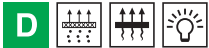
Without Charcoal Filters

## KD91XE

WALL DECORATIVE HOOD, 90 CM, UNIVERSAL, STAINLESS STEEL



### PLUS:

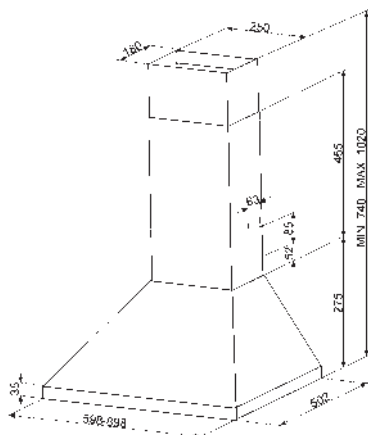


No. of speeds	I	II	III
Extraction rate IEC 61591	300	440	570
Noise level IEC 60704-2-13	50	58	71

Motor power: 140 W  
 Free outlet maximum capacity: 600 m<sup>3</sup>/h  
 Slider commands  
 3 speeds  
 3 aluminium grease filters  
 Vent outlet Ø 150 mm  
 2 halogen lamps (28 W)

Annual Efficiency Consumption (AEC<sub>hood</sub>): 118 kWh/year  
 Fluid dynamic efficiency class D  
 Lighting efficiency class G  
 Grease filtering efficiency class C  
 Sound power level at highest setting (L<sub>wa</sub>): 71 dB(A)

Frequency 50-60 Hz  
 Voltage 220-240 V



## KD61XE

WALL DECORATIVE HOOD, 60 CM, UNIVERSAL, STAINLESS STEEL



### PLUS:

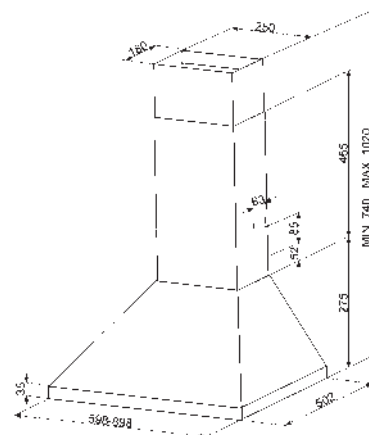


No. of speeds	I	II	III
Extraction rate IEC 61591	300	440	570
Noise level IEC 60704-2-13	50	58	71

Motor power: 140 W  
 Free outlet maximum capacity: 600 m<sup>3</sup>/h  
 Slider commands  
 3 speeds  
 2 aluminium grease filters  
 Vent outlet Ø 150 mm  
 2 halogen lamps (28 W)

Annual Efficiency Consumption (AEC<sub>hood</sub>): 118 kWh/year  
 Fluid dynamic efficiency class D  
 Lighting efficiency class G  
 Grease filtering efficiency class C  
 Sound power level at highest setting (L<sub>wa</sub>): 71 dB(A)

Frequency 50-60 Hz  
 Voltage 220-240 V

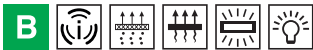


## KSE900CHXE

WALL DECORATIVE HOOD, 90 CM, UNIVERSAL, STAINLESS STEEL



**PLUS:**

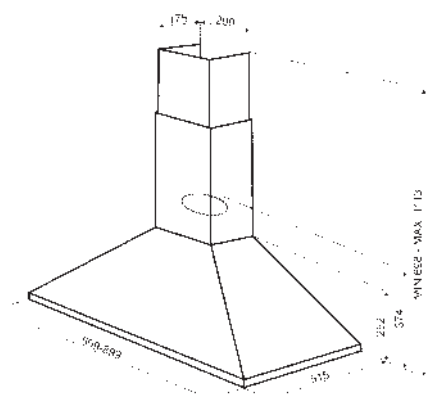


No. of speeds	I	II	III	INT
Extraction rate IEC 61591	256	368	480	603
Noise level IEC 60704-2-13	51	57	61	66

Motor power: 250 W  
 Free outlet maximum capacity: 650 m<sup>3</sup>/h  
 Electronic control  
 Electronic buttons  
 3 speeds  
 Intensive speed  
 3 aluminium grease filters  
 Vent outlet Ø 150 mm  
 Non return valve  
 2 led lamps (2 W)

Annual Efficiency Consumption (AEC<sub>hood</sub>): 67.7 kWh/year  
 Fluid dynamic efficiency class B  
 Lighting efficiency class A  
 Grease filtering efficiency class C  
 Sound power level at highest setting (L<sub>wa</sub>): 61 dB(A)

Frequency 50-60 Hz  
 Voltage 220-240 V

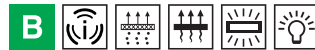


## KSE600CHXE

WALL DECORATIVE HOOD, 60 CM, UNIVERSAL, STAINLESS STEEL



**PLUS:**

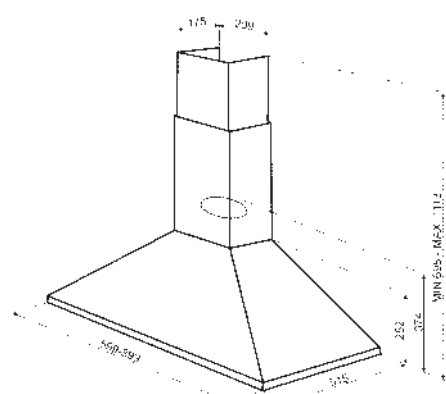


No. of speeds	I	II	III	INT
Extraction rate IEC 61591	256	368	448	603
Noise level IEC 60704-2-13	51	57	61	66

Motor power: 250 W  
 Free outlet maximum capacity: 650 m<sup>3</sup>/h  
 Electronic control  
 Electronic buttons  
 3 speeds  
 Intensive speed  
 2 aluminium grease filters  
 Vent outlet Ø 150 mm  
 Non return valve  
 2 led lamps (2 W)

Annual Efficiency Consumption (AEC<sub>hood</sub>): 73.5 kWh/year  
 Fluid dynamic efficiency class B  
 Lighting efficiency class A  
 Grease filtering efficiency class C  
 Sound power level at highest setting (L<sub>wa</sub>): 61 dB(A)

Frequency 50-60 Hz  
 Voltage 220-240 V



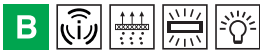


## KSA900HXE

WALL DECORATIVE HOOD, 90 CM, UNIVERSAL, STAINLESS STEEL



### PLUS:

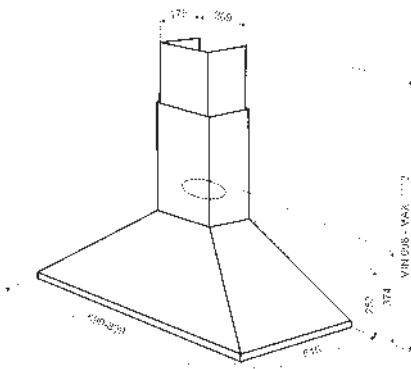


No. of speeds	I	II	III	INT
Extraction rate IEC 61591	256	368	480	603
Noise level IEC 60704-2-13	51	57	61	66

Motor power: 250 W  
 Free outlet maximum capacity: 650 m<sup>3</sup>/h  
 Electronic control  
 Electronic buttons  
 3 speeds  
 Intensive speed  
 3 aluminium grease filters  
 Vent outlet Ø 150 mm  
 Non return valve  
 2 led lamps (2 W)

Annual Efficiency Consumption (AEC<sub>hood</sub>): 67.7 kWh/year  
 Fluid dynamic efficiency class B  
 Lighting efficiency class A  
 Grease filtering efficiency class C  
 Sound power level at highest setting (L<sub>wa</sub>): 61 dB(A)

Frequency 50-60 Hz  
 Voltage 220-240 V

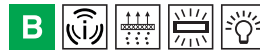


## KSA600HXE

WALL DECORATIVE HOOD, 60 CM, UNIVERSAL, STAINLESS STEEL



### PLUS:

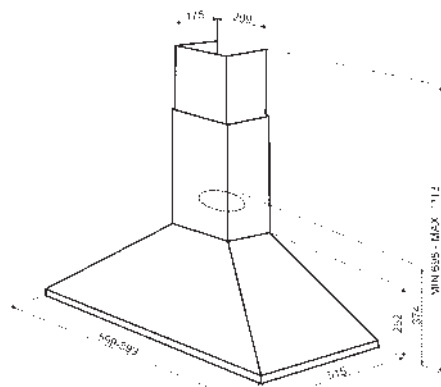


No. of speeds	I	II	III	INT
Extraction rate IEC 61591	256	368	448	603
Noise level IEC 60704-2-13	51	57	61	66

Motor power: 250 W  
 Free outlet maximum capacity: 650 m<sup>3</sup>/h  
 Electronic control  
 Electronic buttons  
 3 speeds  
 Intensive speed  
 2 aluminium grease filters  
 Vent outlet Ø 150 mm  
 Non return valve  
 2 led lamps (2 W)

Annual Efficiency Consumption (AEC<sub>hood</sub>): 73.5 kWh/year  
 Fluid dynamic efficiency class B  
 Lighting efficiency class A  
 Grease filtering efficiency class C  
 Sound power level at highest setting (L<sub>wa</sub>): 61 dB(A)

Frequency 50-60 Hz  
 Voltage 220-240 V

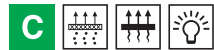


## KSED95AE

WALL DECORATIVE HOOD, 90 CM, UNIVERSAL, ANTHRACITE



### PLUS:

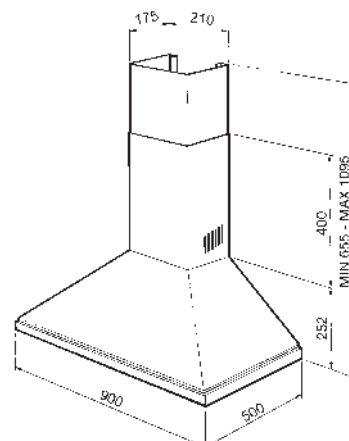


No. of speeds	I	II	III
Extraction rate IEC 61591	328	420	588
Noise level IEC 60704-2-13	50	57	65

Motor power: 200 W  
Free outlet maximum capacity: 595 m<sup>3</sup>/h  
Slider commands  
3 speeds  
3 aluminium grease filters  
Vent outlet Ø 150 mm  
Non return valve  
2 halogen lamps (20 W)

Annual Efficiency Consumption (AEC<sub>hood</sub>): 81.8 kWh/year  
Fluid dynamic efficiency class B  
Lighting efficiency class E  
Grease filtering efficiency class D  
Sound power level at highest setting (L<sub>wa</sub>): 65 dB(A)

Frequency 50-60 Hz  
Voltage 220-240 V



**KSED95NEE**

WALL DECORATIVE HOOD, 90 CM, UNIVERSAL, BLACK



**KSED95PE**

WALL DECORATIVE HOOD, 90 CM, UNIVERSAL, CREAM



**KSED95RWE**

WALL DECORATIVE HOOD, 90 CM, UNIVERSAL, RED WINE



**KSED95XE**

WALL DECORATIVE HOOD, 90 CM, UNIVERSAL, STAINLESS STEEL



## KSED92NXE

WALL DECORATIVE HOOD, 90 CM, UNIVERSAL, BLACK



### PLUS:



No. of speeds	I	II	III
Extraction rate IEC 61591	328	420	588
Noise level IEC 60704-2-13	50	57	65

Motor power: 200 W  
 Free outlet maximum capacity: 600 m<sup>3</sup>/h  
 Slider commands  
 3 speeds  
 3 aluminium grease filters  
 Vent outlet Ø 150 mm  
 Non return valve  
 2 halogen lamps (20 W)

Annual Efficiency Consumption (AEC<sub>hood</sub>): 81.8 kWh/year  
 Fluid dynamic efficiency class B  
 Lighting efficiency class E  
 Grease filtering efficiency class D  
 Sound power level at highest setting (L<sub>wa</sub>): 65 dB(A)

Frequency 50-60 Hz  
 Voltage 220-240 V

## KSED75XE

WALL DECORATIVE HOOD, 70 CM, UNIVERSAL, STAINLESS STEEL



### PLUS:

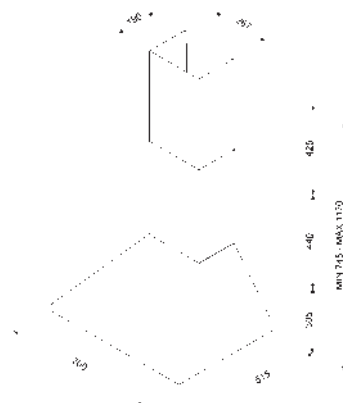
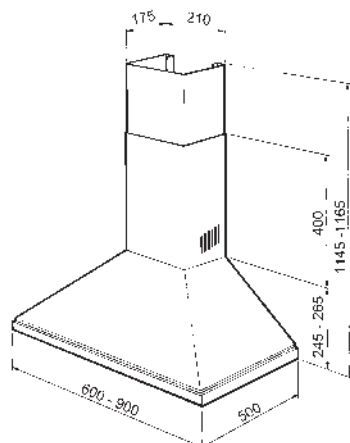


No. of speeds	I	II	III
Extraction rate IEC 61591	351	420	635
Noise level IEC 60704-2-13	53	57	67

Motor power: 200 W  
 Free outlet maximum capacity: 595 m<sup>3</sup>/h  
 Slider commands  
 3 speeds  
 2 aluminium grease filters  
 Vent outlet Ø 150 mm  
 Non return valve  
 2 halogen lamps (20 W)

Annual Efficiency Consumption (AEC<sub>hood</sub>): 87.8 kWh/year  
 Fluid dynamic efficiency class B  
 Lighting efficiency class D  
 Grease filtering efficiency class D  
 Sound power level at highest setting (L<sub>wa</sub>): 67 dB(A)

Frequency 50-60 Hz  
 Voltage 220-240 V



## KSED65BE

WALL DECORATIVE HOOD, 60 CM, UNIVERSAL, WHITE



## KSED65NEE

WALL DECORATIVE HOOD, 60 CM, UNIVERSAL, BLACK



PLUS:



No. of speeds	I	II	III
Extraction rate IEC 61591	351	420	635
Noise level IEC 60704-2-13	53	57	67

Motor power: 200 W  
 Free outlet maximum capacity: 600 m<sup>3</sup>/h  
 Slider commands  
 3 speeds  
 2 aluminium grease filters  
 Vent outlet Ø 150 mm  
 Non return valve  
 2 halogen lamps (20 W)

Annual Efficiency Consumption (AEchood): 87.8 kWh/year  
 Fluid dynamic efficiency class B  
 Lighting efficiency class D  
 Grease filtering efficiency class D  
 Sound power level at highest setting (Lwa): 67 dB(A)

Frequency 50-60 Hz  
 Voltage 220-240 V

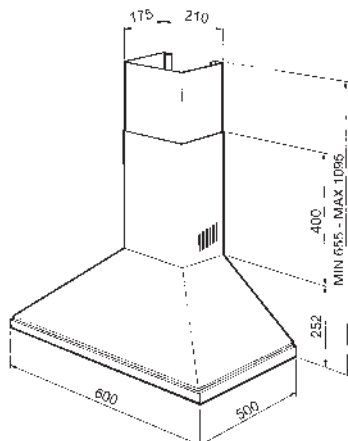
## KSED65PE

WALL DECORATIVE HOOD, 60 CM, UNIVERSAL, CREAM



## KSED65XE

WALL DECORATIVE HOOD, 60 CM, UNIVERSAL, STAINLESS STEEL



## KD9XE

WALL DECORATIVE HOOD, 90 CM, UNIVERSAL, STAINLESS STEEL



### PLUS:

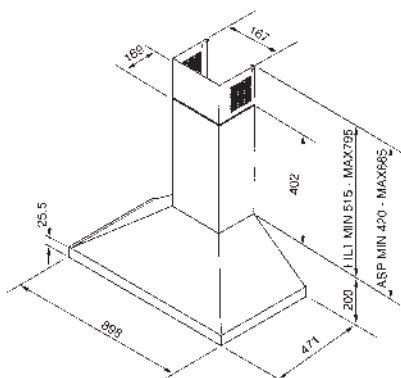


No. of speeds	I	II	III
Extraction rate IEC 61591	210	250	400
Noise level IEC 60704-2-13	50	54	64

Motor power: 110 W  
 Free outlet maximum capacity: 415 m<sup>3</sup>/h  
 Slider commands  
 3 speeds  
 Single aluminium grease filter  
 Vent outlet Ø 150 mm  
 1 halogen lamp (28 W)

Annual Efficiency Consumption (AEC<sub>hood</sub>): 75.1 KWh/year  
 Fluid dynamic efficiency class E  
 Lighting efficiency class G  
 Grease filtering efficiency class C  
 Sound power level at highest setting (L<sub>wa</sub>): 64 dB(A)

Frequency 50 Hz  
 Voltage 220-240 V



## KD6XE

WALL DECORATIVE HOOD, 60 CM, UNIVERSAL, STAINLESS STEEL



### PLUS:

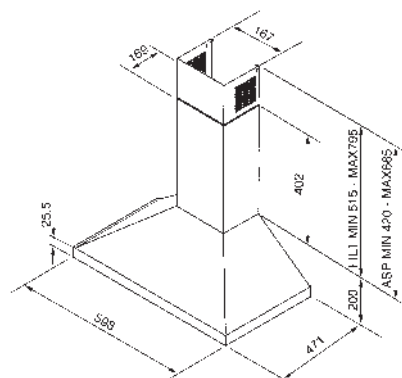


No. of speeds	I	II	III
Extraction rate IEC 61591	210	250	400
Noise level IEC 60704-2-13	50	54	64

Motor power: 110 W  
 Free outlet maximum capacity: 415 m<sup>3</sup>/h  
 Slider commands  
 3 speeds  
 Single aluminium grease filter  
 Vent outlet Ø 150 mm  
 1 halogen lamp (28 W)

Annual Efficiency Consumption (AEC<sub>hood</sub>): 75.1 KWh/year  
 Fluid dynamic efficiency class E  
 Lighting efficiency class G  
 Grease filtering efficiency class C  
 Sound power level at highest setting (L<sub>wa</sub>): 64 dB(A)

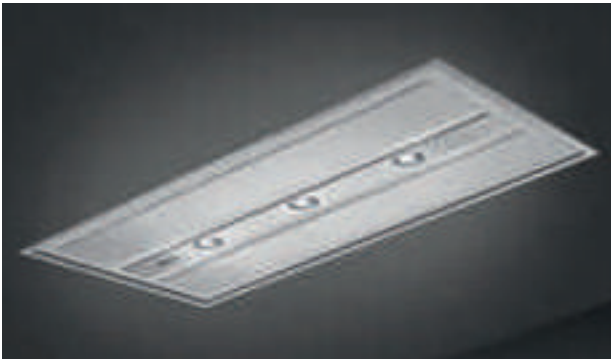
Frequency 50 Hz  
 Voltage 220-240 V



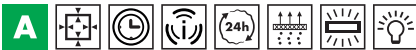


## KSEG120XE-2

CEILING, 120 CM, UNIVERSAL, STAINLESS STEEL



PLUS:



No. of speeds	I	II	III	INT
Extraction rate IEC 61591	290	520	630	800
Noise level IEC 60704-2-13	50	63	68	71

Motor power: 270 W  
 Free outlet maximum capacity: 845 m<sup>3</sup>/h  
 Electronic control  
 Electronic buttons  
 3 speeds  
 Intensive speed  
 Automatic switch-off  
 4 aluminium grease filters  
 Vent outlet Ø 150 mm  
 Non return valve  
 3 led lamps (1 W)

Annual Efficiency Consumption (AEC<sub>hood</sub>): 56.9 kWh/year  
 Fluid dynamic efficiency class A  
 Lighting efficiency class A  
 Grease filtering efficiency class E  
 Sound power level at highest setting (L<sub>wa</sub>): 68 dB(A)

Frequency 50-60 Hz  
 Voltage 220-240 V

## KSEG90VXBE-2

CEILING, 90 CM, UNIVERSAL, STEEL AND WHITE GLASS



PLUS:



No. of speeds	I	II	III	INT
Extraction rate IEC 61591	290	520	630	800
Noise level IEC 60704-2-13	50	63	68	71

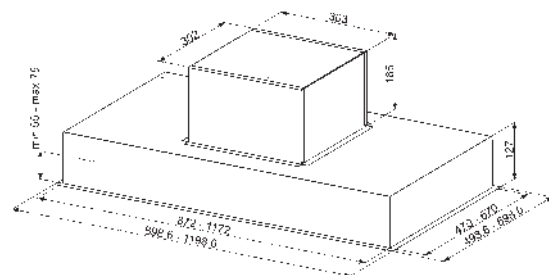
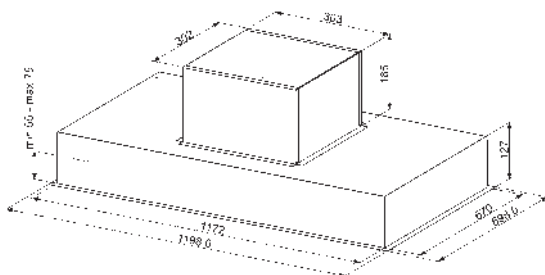
Motor power: 270 W  
 Free outlet maximum capacity: 845 m<sup>3</sup>/h  
 White glass  
 Electronic control  
 Electronic buttons  
 3 speeds  
 Intensive speed  
 Automatic switch-off  
 3 aluminium grease filters  
 Vent outlet Ø 150 mm  
 Non return valve  
 2 led lamps (1 W)

Annual Efficiency Consumption (AEC<sub>hood</sub>): 56.1 kWh/year  
 Fluid dynamic efficiency class A  
 Lighting efficiency class A  
 Grease filtering efficiency class E  
 Sound power level at highest setting (L<sub>wa</sub>): 68 dB(A)

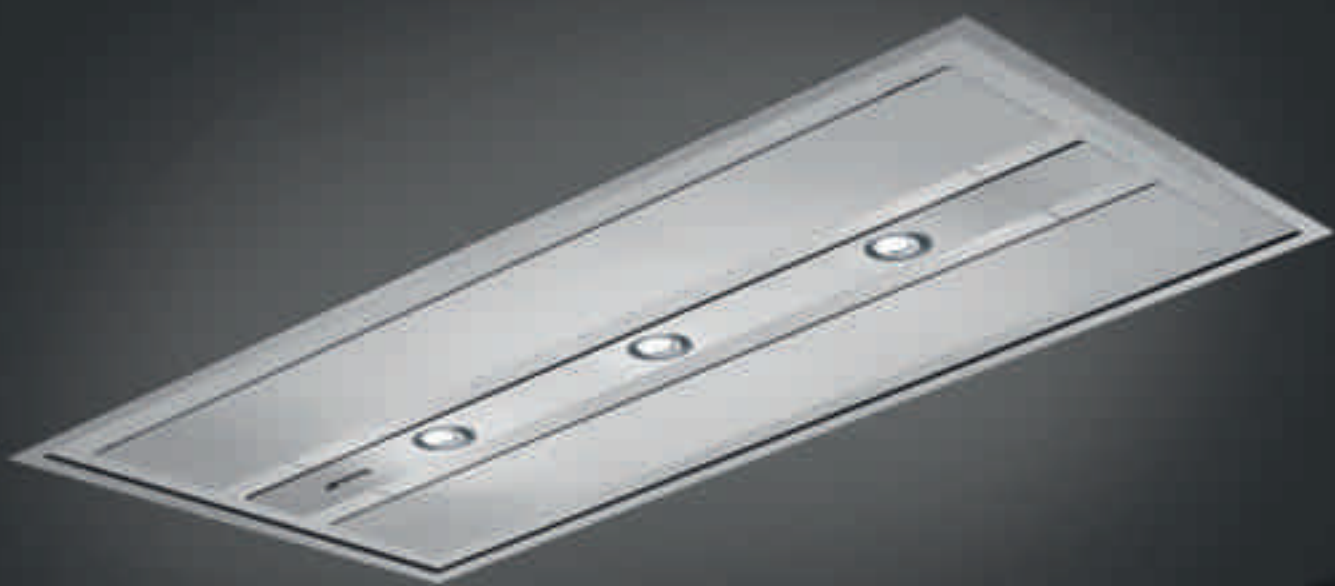
Frequency 50-60 Hz  
 Voltage 220-240 V



**KSEG90VXNE-2**  
 Stainless steel and  
 Black Glass, St/steel,  
 Width: 899 mm

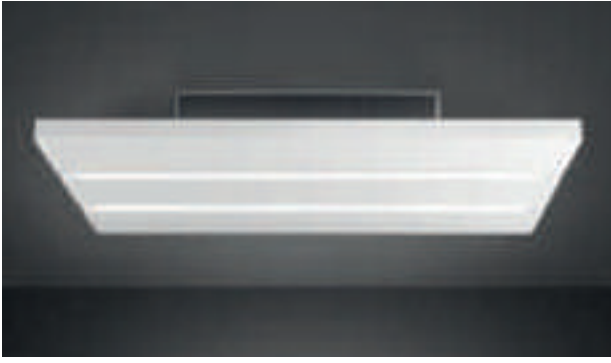






## KSCF120B

CEILING, 120 CM, UNIVERSAL, WHITE



### PLUS:



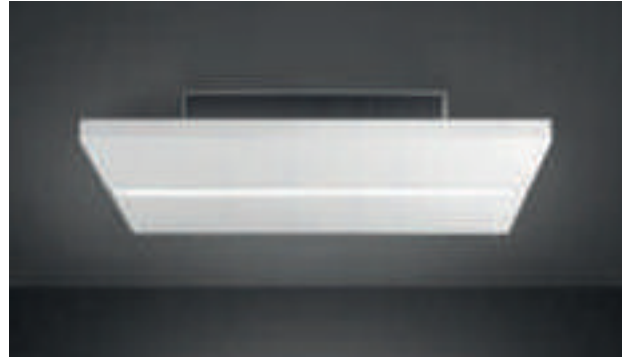
No. of speeds	I	II	III	IV
Extraction rate IEC 61591	350	450	600	650
Noise level IEC 60704-2-13	38	48	55	58

Motor power: 90 W  
 Free outlet maximum capacity: 845 m<sup>3</sup>/h  
 White glass  
 Electronic control  
 4 speeds  
 Automatic switch-off

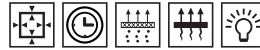
Frequency 50 Hz  
 Voltage 230 V

## KSCF90B

CEILING, 90 CM, UNIVERSAL, WHITE



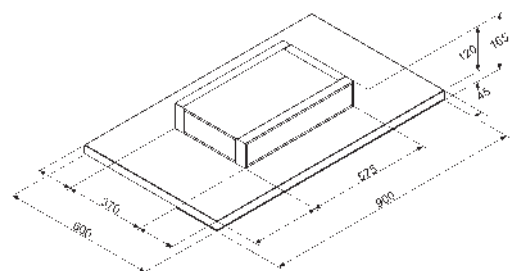
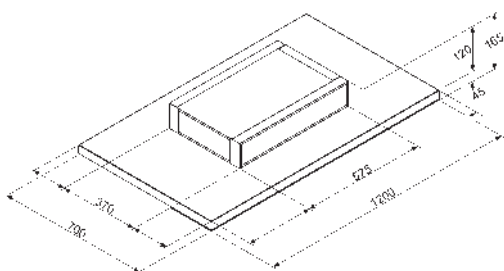
### PLUS:



No. of speeds	I	II	III	IV
Extraction rate IEC 61591	350	450	600	650
Noise level IEC 60704-2-13	38	48	55	58

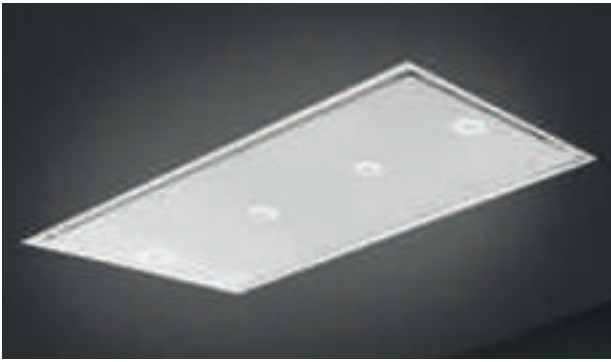
Motor power: 90 W  
 Free outlet maximum capacity: 845 m<sup>3</sup>/h  
 White glass  
 Electronic control  
 4 speeds  
 Automatic switch-off

Frequency 50 Hz  
 Voltage 230 V



## KSC120B

CEILING, 120 CM, UNIVERSAL, WHITE



### PLUS:

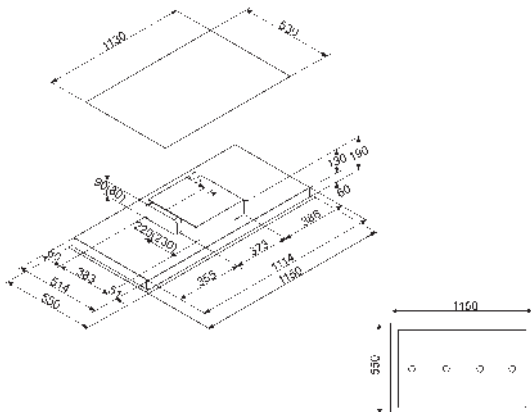


No. of speeds	I	II	III	INT
Extraction rate IEC 61591	418	602	700	830
Noise level IEC 60704-2-13	50	61	63	70

Motor power: 220 W  
 Free outlet maximum capacity: 855 m<sup>3</sup>/h  
 White glass  
 Electronic control  
 3 speeds  
 Intensive speed  
 Automatic switch-off  
 4 led lamps (1 W)

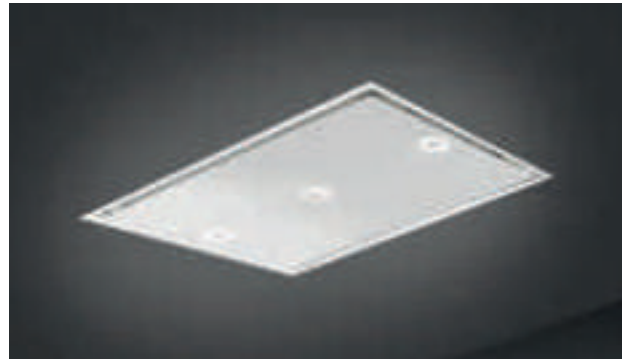
Annual Efficiency Consumption (AEC<sub>hood</sub>): 71 kWh/year  
 Fluid dynamic efficiency class A  
 Lighting efficiency class A  
 Grease filtering efficiency class F  
 Sound power level at highest setting (L<sub>wa</sub>): 63 dB(A)

Frequency 50-60 Hz  
 Voltage 220-240 V



## KSC90B

CEILING, 90 CM, UNIVERSAL, WHITE



### PLUS:

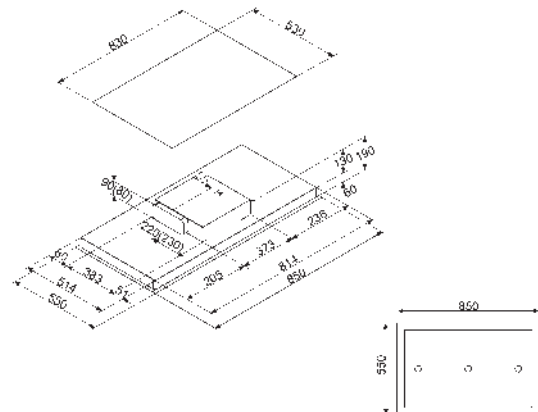


No. of speeds	I	II	III	INT
Extraction rate IEC 61591	418	602	700	830
Noise level IEC 60704-2-13	50	61	63	70

Motor power: 220 W  
 Free outlet maximum capacity: 855 m<sup>3</sup>/h  
 White glass  
 Electronic control  
 3 speeds  
 Intensive speed  
 Automatic switch-off  
 3 led lamps (1 W)

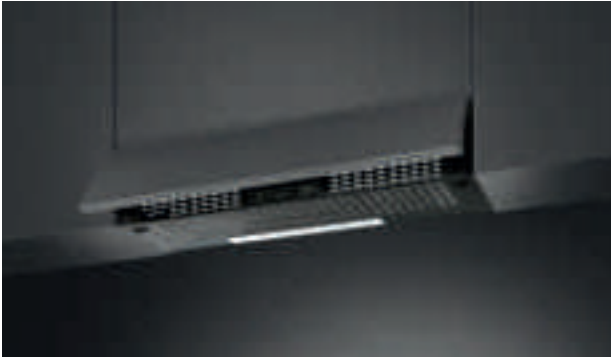
Annual Efficiency Consumption (AEC<sub>hood</sub>): 70 kWh/year  
 Fluid dynamic efficiency class A  
 Lighting efficiency class A  
 Grease filtering efficiency class G  
 Sound power level at highest setting (L<sub>wa</sub>): 63 dB(A)

Frequency 50-60 Hz  
 Voltage 220-240 V



## KE91NEE

INTEGRATED FILTER HOOD, 90 CM, UNIVERSAL, BLACK



**PLUS:**



No. of speeds	I	II	III
Extraction rate IEC 61591	120	170	190
Noise level IEC 60704-2-13	61	66	68

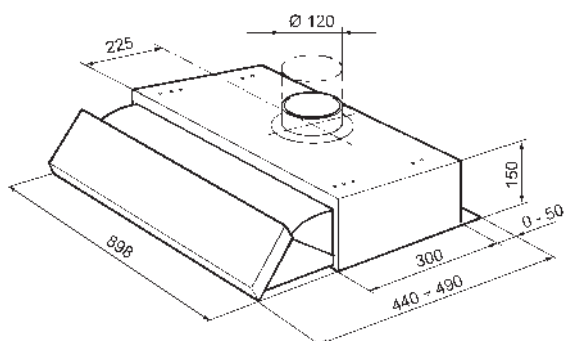
Motor power: 95 W  
 Free outlet maximum capacity: 200 m<sup>3</sup>/h  
 Slider commands  
 3 speeds  
 Single metal grease filter  
 Vent outlet Ø 120 mm  
 1 halogen lamp (28 W)

Annual Efficiency Consumption (AEC<sub>hood</sub>): 71.7 kWh/year  
 Fluid dynamic efficiency class F  
 Lighting efficiency class G  
 Grease filtering efficiency class E  
 Sound power level at highest setting (L<sub>wa</sub>): 68 dB(A)

Frequency 50 Hz  
 Voltage 220-240 V



**KE91XE**  
 Silver, Painted material,  
 Width: 898 mm



## KE61EBE

INTEGRATED FILTER HOOD, 60 CM, UNIVERSAL, WHITE



**PLUS:**



No. of speeds	I	II	III
Extraction rate IEC 61591	120	170	190
Noise level IEC 60704-2-13	61	66	68

Motor power: 95 W  
 Free outlet maximum capacity: 200 m<sup>3</sup>/h  
 Slider commands  
 3 speeds  
 Single metal grease filter  
 Vent outlet Ø 100 mm  
 1 halogen lamp (28 W)

Annual Efficiency Consumption (AEC<sub>hood</sub>): 71.7 kWh/year  
 Fluid dynamic efficiency class F  
 Lighting efficiency class G  
 Grease filtering efficiency class E  
 Sound power level at highest setting (L<sub>wa</sub>): 68 dB(A)

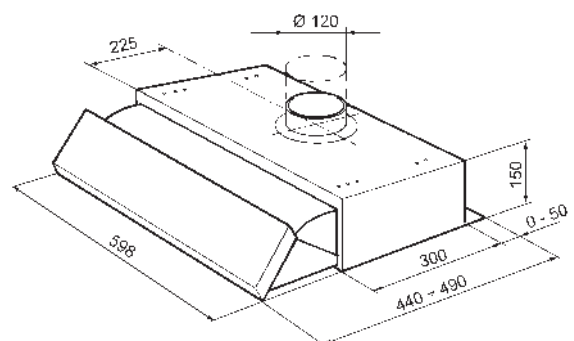
Frequency 50 Hz  
 Voltage 220-240 V



**KE61NEE**  
 Black, Painted material,  
 Width: 598 mm

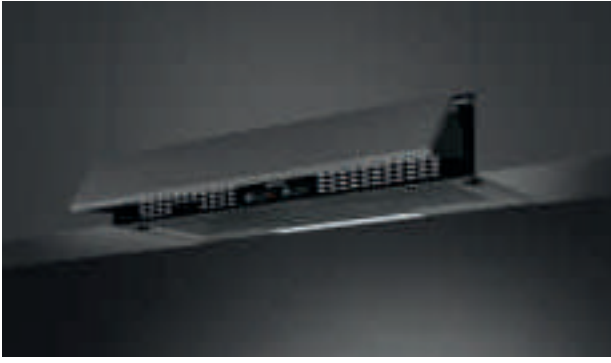


**KE61XE**  
 Silver, Painted material,  
 Width: 598 mm



## KSEIR92E

INTEGRATED FILTER HOOD, 90 CM, UNIVERSAL, BLACK



PLUS:



No. of speeds	I	II	III
Extraction rate IEC 61591	120	170	190
Noise level IEC 60704-2-13	61	66	68

Motor power: 95 W  
 Free outlet maximum capacity: 200 m<sup>3</sup>/h  
 Slider commands  
 3 speeds  
 Single grease filter with filter holder  
 Vent outlet Ø 120 mm  
 2 halogen lamps (28 W)

Annual Efficiency Consumption (AEC<sub>hood</sub>): 92.1 KWh/year  
 Fluid dynamic efficiency class F  
 Lighting efficiency class G  
 Grease filtering efficiency class E  
 Sound power level at highest setting (L<sub>wa</sub>): 68 dB(A)

Frequency 50 Hz  
 Voltage 220-240 V

## KSEIR62PSE

INTEGRATED HOOD, 60 CM, UNIVERSAL, SILVER



PLUS:



No. of speeds	I	II	III
Extraction rate IEC 61591	120	170	190
Noise level IEC 60704-2-13	61	66	68

Motor power: 95 W  
 Free outlet maximum capacity: 200 m<sup>3</sup>/h  
 Slider commands  
 3 speeds  
 Single grease filter with filter holder  
 Vent outlet Ø 120 mm  
 2 halogen lamps (28 W)

Annual Efficiency Consumption (AEC<sub>hood</sub>): 92.1 KWh/year  
 Fluid dynamic efficiency class F  
 Lighting efficiency class G  
 Grease filtering efficiency class E  
 Sound power level at highest setting (L<sub>wa</sub>): 68 dB(A)

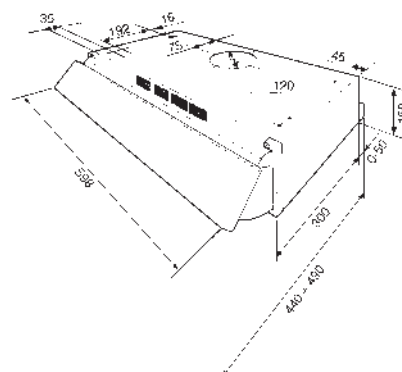
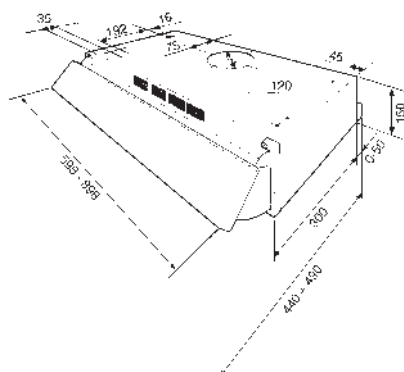
Frequency 50 Hz  
 Voltage 220-240 V



**KSEIR62E**  
 Black, Painted material,  
 Width: 598 mm



**KSEIR62PSE**  
 Silver, Painted material,  
 Width: 598 mm



## KT91NEE

INTEGRATED HOOD, 90 CM, UNIVERSAL, BLACK



**PLUS:**



No. of speeds	I	II	III
Extraction rate IEC 61591	140	195	220
Noise level IEC 60704-2-13	56	64	67

Motor power: 85 W  
 Free outlet maximum capacity: 230 m<sup>3</sup>/h  
 Slider commands  
 3 speeds  
 Single grease filter with filter holder  
 Vent outlet Ø 120 mm  
 1 halogen lamp (28 W)

Annual Efficiency Consumption (AEC<sub>hood</sub>): 74.3 KWh/year  
 Fluid dynamic efficiency class F  
 Lighting efficiency class G  
 Grease filtering efficiency class D  
 Sound power level at highest setting (L<sub>wa</sub>): 67 dB(A)

Frequency 50 Hz  
 Voltage 220-240 V

**ALSO AVAILABLE:**

**KT81XE**

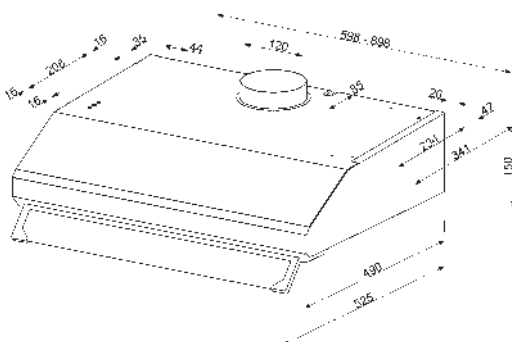
Black / Steel Frame  
 Frequency 50 Hz  
 Voltage 220-240 V  
 Universal



**KT91EBE**  
 White, Painted material,  
 Width: 898 mm



**KT91XE**  
 Black / Steel Frame,  
 Painted material, Width:  
 898 mm

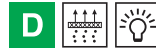


## KT61EBE

INTEGRATED HOOD, 60 CM, UNIVERSAL, WHITE



**PLUS:**



No. of speeds	I	II	III
Extraction rate IEC 61591	140	195	220
Noise level IEC 60704-2-13	56	64	67

Motor power: 95 W  
 Free outlet maximum capacity: 235 m<sup>3</sup>/h  
 Slider commands  
 3 speeds  
 Single grease filter with filter holder  
 Vent outlet Ø 120 mm  
 1 halogen lamp (28 W)

Annual Efficiency Consumption (AEC<sub>hood</sub>): 74.3 KWh/year  
 Fluid dynamic efficiency class F  
 Lighting efficiency class G  
 Grease filtering efficiency class D  
 Sound power level at highest setting (L<sub>wa</sub>): 67 dB(A)

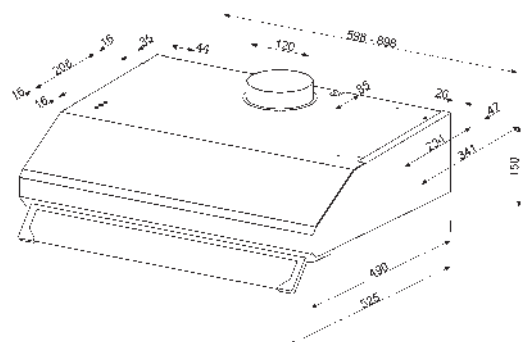
Frequency 50 Hz  
 Voltage 220-240 V



**KT61NEE**  
 Black, Painted material,  
 Width: 598 mm



**KT61XE**  
 Black / Steel Frame,  
 Painted material, Width:  
 598 mm





HOODS  
UNIVERSAL

KT91NEE

## KSEC96XE

INTEGRATED HOOD, 90 CM, UNIVERSAL, STAINLESS STEEL



**PLUS:**

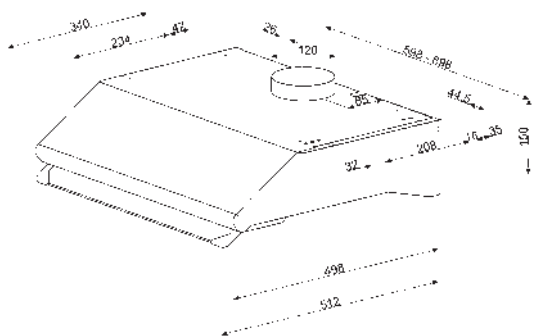


No. of speeds	I	II	III
Extraction rate IEC 61591	250	300	330
Noise level IEC 60704-2-13	61	67	72

Motor power: 250 W  
 Free outlet maximum capacity: 365 m<sup>3</sup>/h  
 Buttons  
 3 speeds  
 3 grease filters with filter holder  
 Vent outlet Ø 120 mm  
 Non return valve

Annual Efficiency Consumption (AEC<sub>hood</sub>): 138.6 kWh/year  
 Fluid dynamic efficiency class F  
 Lighting efficiency class E  
 Grease filtering efficiency class G  
 Sound power level at highest setting (L<sub>wa</sub>): 72 dB(A)

Frequency 50 Hz  
 Voltage 220-240 V



## KSEC91XE

INTEGRATED HOOD, 90 CM, UNIVERSAL, STAINLESS STEEL



**PLUS:**

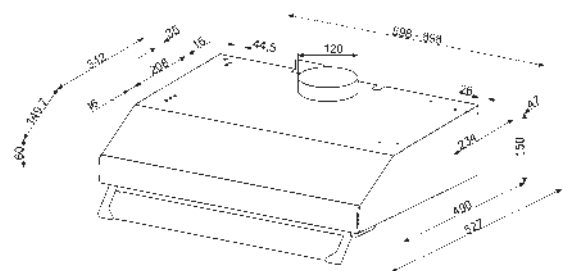


No. of speeds	I	II	III
Extraction rate IEC 61591	190	220	235
Noise level IEC 60704-2-13	64	67	69

Motor power: 125 W  
 Free outlet maximum capacity: 230 m<sup>3</sup>/h  
 Buttons  
 3 speeds  
 3 aluminium grease filters  
 Vent outlet Ø 120 mm  
 1 halogen lamp (28 W)

Annual Efficiency Consumption (AEC<sub>hood</sub>): 84.8 kWh/year  
 Fluid dynamic efficiency class F  
 Lighting efficiency class G  
 Grease filtering efficiency class C  
 Sound power level at highest setting (L<sub>wa</sub>): 69 dB(A)

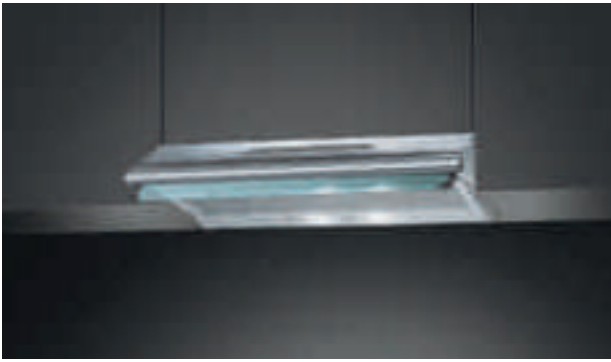
Frequency 50 Hz  
 Voltage 220-240 V





## KSEC66XE

INTEGRATED HOOD, 60 CM, UNIVERSAL, STAINLESS STEEL



PLUS:

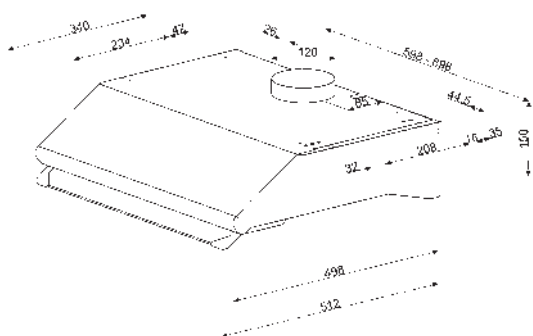


No. of speeds	I	II	III
Extraction rate IEC 61591	170	210	230
Noise level IEC 60704-2-13	64	69	72

Motor power: 125 W  
 Free outlet maximum capacity: 245 m<sup>3</sup>/h  
 Buttons  
 3 speeds  
 2 grease filters with filter holder  
 Vent outlet Ø 120 mm  
 Non return valve

Annual Efficiency Consumption (AEChood): 105.9 kWh/year  
 Fluid dynamic efficiency class F  
 Lighting efficiency class G  
 Grease filtering efficiency class G  
 Sound power level at highest setting (Lwa): 72 dB(A)

Frequency 50 Hz  
 Voltage 220-240 V



## KSEC61EBE

INTEGRATED HOOD, 60 CM, UNIVERSAL, WHITE



PLUS:



No. of speeds	I	II	III
Extraction rate IEC 61591	190	220	235
Noise level IEC 60704-2-13	64	67	69

Motor power: 125 W  
 Free outlet maximum capacity: 230 m<sup>3</sup>/h  
 Buttons  
 3 speeds  
 2 aluminium grease filters  
 Vent outlet Ø 120 mm  
 1 halogen lamp (28 W)

Annual Efficiency Consumption (AEChood): 84.8 kWh/year  
 Fluid dynamic efficiency class F  
 Lighting efficiency class G  
 Grease filtering efficiency class C  
 Sound power level at highest setting (Lwa): 69 dB(A)

Frequency 50 Hz  
 Voltage 220-240 V



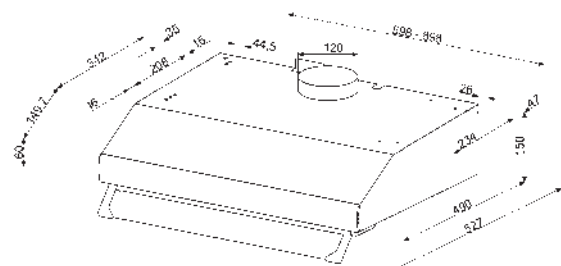
**KSEC61NEE**  
 Black, Painted material,  
 Width: 598 mm



**KSEC61XE**  
 Stainless steel, St/  
 steel, Width: 598 mm



**KSEC61XSM**  
 Stainless steel, St/  
 steel, Width: 598 mm



## KTE90EX

INTEGRATED HOOD, 60 CM, UNIVERSAL, STAINLESS STEEL, STAINLESS STEEL FINISHING



**PLUS:**



No. of speeds	I	II	III
Extraction rate IEC 61591	121	150	268
Noise level IEC 60704-2-13	50	55	70

Motor power: 140 W  
 Free outlet maximum capacity: 286 m<sup>3</sup>/h  
 Slider commands  
 3 speeds  
 3 metal grease filters  
 Vent outlet Ø 120 mm  
 Non return valve  
 2 halogen lamps (28 W)

Annual Efficiency Consumption (AEC<sub>hood</sub>): 132.5 kWh/year  
 Fluid dynamic efficiency class F  
 Lighting efficiency class G  
 Grease filtering efficiency class D  
 Sound power level at highest setting (L<sub>wa</sub>): 70 dB(A)

Frequency 50-60 Hz  
 Voltage 220-240 V

## KTE60EX

INTEGRATED HOOD, 60 CM, UNIVERSAL, STAINLESS STEEL, STAINLESS STEEL FINISHING



**PLUS:**



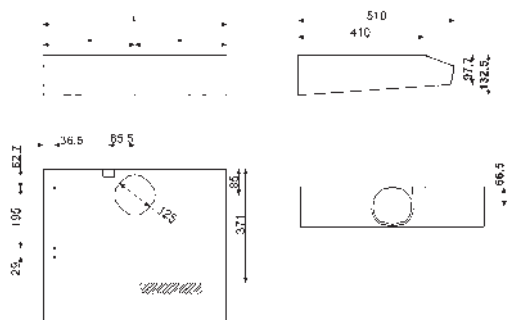
No. of speeds	I	II	III
Extraction rate IEC 61591	121	150	268
Noise level IEC 60704-2-13	50	55	70

Motor power: 140 W  
 Free outlet maximum capacity: 286 m<sup>3</sup>/h  
 Slider commands  
 3 speeds  
 Single metal grease filter  
 Vent outlet Ø 120 mm  
 Non return valve  
 2 halogen lamps (28 W)

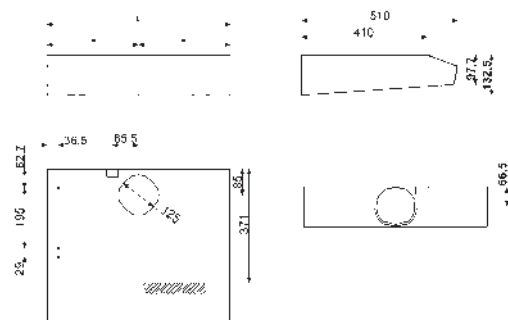
Annual Efficiency Consumption (AEC<sub>hood</sub>): 132.5 kWh/year  
 Fluid dynamic efficiency class F  
 Lighting efficiency class G  
 Grease filtering efficiency class D  
 Sound power level at highest setting (L<sub>wa</sub>): 70 dB(A)

Frequency 50-60 Hz  
 Voltage 220-240 V

CAPPA L<sup>-1</sup>  
 CV 51 595  
 MW 80 199



CAPPA L<sup>-1</sup>  
 CV 51 595  
 MW 80 199





UNIVERSAL

**HOODS**

KTE90EX

## KSET900HXE

INTEGRATED HOOD, 90 CM, UNIVERSAL, STAINLESS STEEL



**PLUS:**



No. of speeds	I	II	III	INT
Extraction rate IEC 61591	256	332	496	603
Noise level IEC 60704-2-13	48	53	63	68

Motor power: 220 W  
 Free outlet maximum capacity: 610 m<sup>3</sup>/h  
 Electronic control  
 Electronic buttons  
 3 speeds  
 Intensive speed  
 2 aluminium grease filters  
 Vent outlet Ø 150 mm  
 Non return valve  
 2 led lamps (2 W)

Annual Efficiency Consumption (AEC<sub>hood</sub>): 44.7 kWh/year  
 Fluid dynamic efficiency class A  
 Lighting efficiency class A  
 Grease filtering efficiency class C  
 Sound power level at highest setting (L<sub>wa</sub>): 63 dB(A)

Frequency 50-60 Hz  
 Voltage 220-240 V

## KSET600HXE

INTEGRATED HOOD, 60 CM, UNIVERSAL, STAINLESS STEEL



**PLUS:**

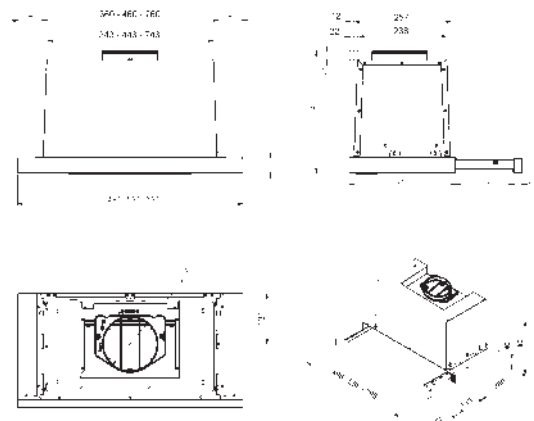
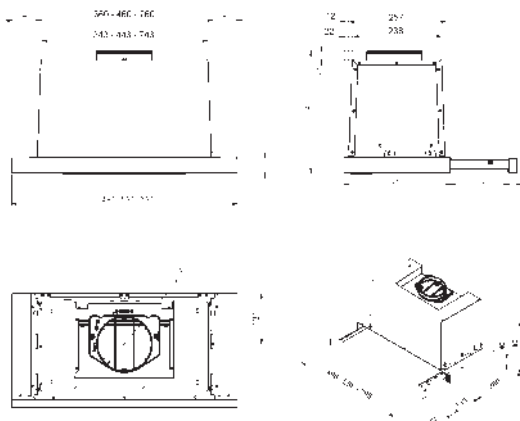


No. of speeds	I	II	III	INT
Extraction rate IEC 61591	256	332	496	603
Noise level IEC 60704-2-13	48	53	63	68

Motor power: 220 W  
 Free outlet maximum capacity: 610 m<sup>3</sup>/h  
 Electronic control  
 Electronic buttons  
 3 speeds  
 Intensive speed  
 2 aluminium grease filters  
 Vent outlet Ø 150 mm  
 Non return valve  
 2 led lamps (2 W)

Annual Efficiency Consumption (AEC<sub>hood</sub>): 44.7 kWh/year  
 Fluid dynamic efficiency class A  
 Lighting efficiency class A  
 Grease filtering efficiency class C  
 Sound power level at highest setting (L<sub>wa</sub>): 63 dB(A)

Frequency 50-60 Hz  
 Voltage 220-240 V





## KSET999XE

INTEGRATED FILTER HOOD, 90 CM, UNIVERSAL, SILVER / STEEL



**PLUS:**



No. of speeds	I	II	III
Extraction rate IEC 61591	256	377	647
Noise level IEC 60704-2-13	46	55	67

Motor power: 200 W  
 Free outlet maximum capacity: 664 m<sup>3</sup>/h  
 Buttons  
 3 speeds  
 2 aluminium grease filters  
 Vent outlet Ø 150 mm  
 Non return valve  
 Non return valve

Annual Efficiency Consumption (AEChood): 39 kWh/year  
 Fluid dynamic efficiency class A  
 Lighting efficiency class A  
 Grease filtering efficiency class D  
 Sound power level at highest setting (Lwa): 67 dB(A)

Frequency 50-60 Hz  
 Voltage 220-240 V

## KSET900XE

INTEGRATED HOOD, 90 CM, UNIVERSAL, STAINLESS STEEL



**PLUS:**

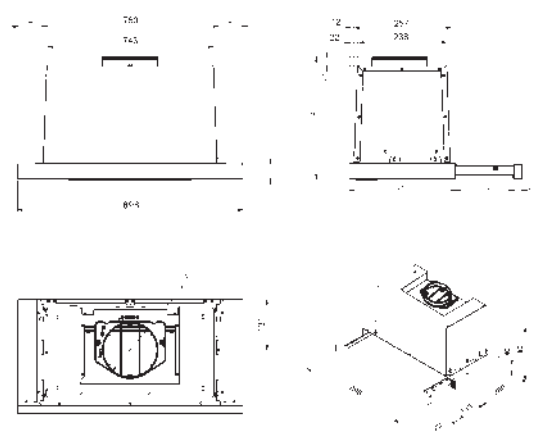
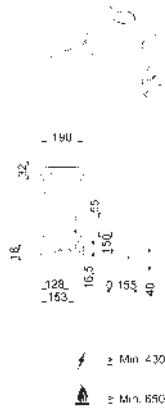
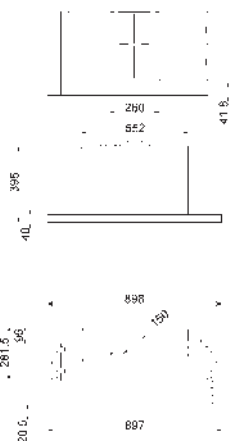


No. of speeds	I	II	III
Extraction rate IEC 61591	240	352	581
Noise level IEC 60704-2-13	45	55	66

Motor power: 175 W  
 Free outlet maximum capacity: 600 m<sup>3</sup>/h  
 Slider commands  
 3 speeds  
 2 aluminium grease filters  
 Vent outlet Ø 150 mm  
 Non return valve  
 2 halogen lamps (20 W)

Annual Efficiency Consumption (AEChood): 104.9 kWh/year  
 Fluid dynamic efficiency class C  
 Lighting efficiency class F  
 Grease filtering efficiency class D  
 Sound power level at highest setting (Lwa): 66 dB(A)

Frequency 50-60 Hz  
 Voltage 220-240 V



## KSET9XE

INTEGRATED HOOD, 90 CM, UNIVERSAL, SILVER / STEEL



### PLUS:



No. of speeds	I	II	III
Extraction rate IEC 61591	300	410	470
Noise level IEC 60704-2-13	57	63	67

Motor power: 276 W  
 Free outlet maximum capacity: 510 m<sup>3</sup>/h  
 Slider commands  
 3 speeds  
 2 aluminium grease filters  
 Vent outlet Ø 120 mm

Annual Efficiency Consumption (AEC<sub>hood</sub>): 168.1 kWh/year  
 Fluid dynamic efficiency class F  
 Lighting efficiency class D  
 Grease filtering efficiency class C  
 Sound power level at highest setting (L<sub>wa</sub>): 67 dB(A)

Frequency 50 Hz  
 Voltage 220-240 V

## KSET86XE

INTEGRATED HOOD, 86 CM, UNIVERSAL, STAINLESS STEEL



### PLUS:



No. of speeds	I	II	III
Extraction rate IEC 61591	135	195	256
Noise level IEC 60704-2-13	51	58	66

Motor power: 125 W  
 Free outlet maximum capacity: 265 m<sup>3</sup>/h  
 Glass  
 Slider commands  
 3 speeds  
 2 aluminium grease filters  
 Vent outlet Ø 120 mm  
 Non return valve  
 2 halogen lamps (20 W)

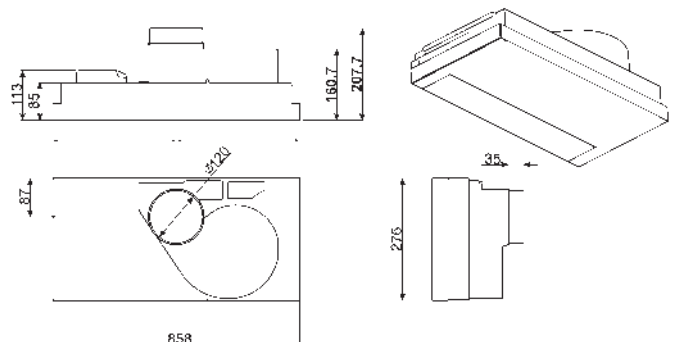
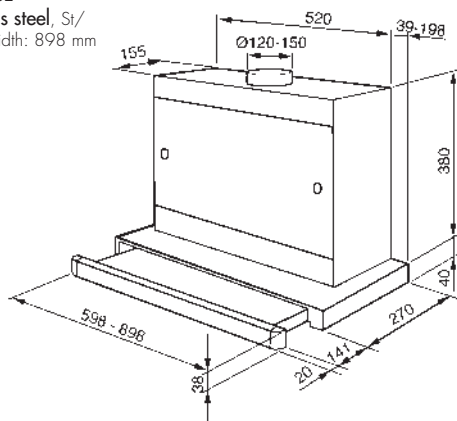
Annual Efficiency Consumption (AEC<sub>hood</sub>): 111.3 kWh/year  
 Fluid dynamic efficiency class F  
 Lighting efficiency class F  
 Grease filtering efficiency class D  
 Sound power level at highest setting (L<sub>wa</sub>): 66 dB(A)

Frequency 50 Hz  
 Voltage 220-240 V



## KSET96E

Stainless steel, St/  
 steel, Width: 898 mm



## KSET91E

INTEGRATED HOOD, 90 CM, UNIVERSAL, SILVER



**PLUS:**



No. of speeds	I	II	III
Extraction rate IEC 61591	220	320	420
Noise level IEC 60704-2-13	57	66	69

Motor power: 140 W  
 Free outlet maximum capacity: 440 m<sup>3</sup>/h  
 Slider commands  
 3 speeds  
 4 aluminium grease filters  
 Vent outlet Ø 150 mm

Annual Efficiency Consumption (AEC<sub>hood</sub>): 88.4 kWh/year  
 Fluid dynamic efficiency class E  
 Lighting efficiency class D  
 Grease filtering efficiency class C  
 Sound power level at highest setting (L<sub>wa</sub>): 69 dB(A)

Frequency 50 Hz  
 Voltage 220-240 V

## KSET92E

INTEGRATED HOOD, 90 CM, UNIVERSAL, SILVER



**PLUS:**

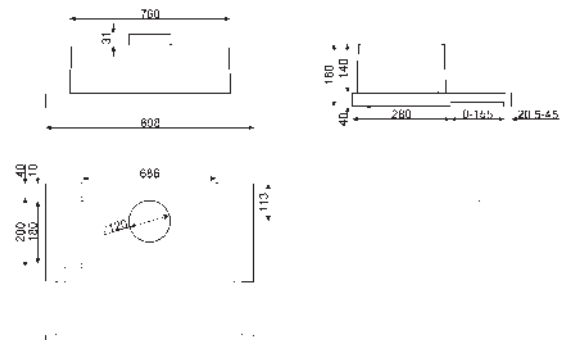
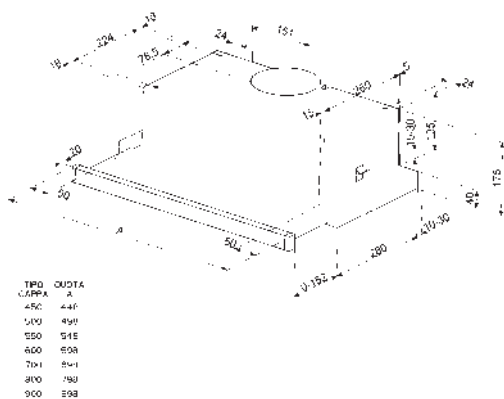


No. of speeds	I	II	III
Extraction rate IEC 61591	145	242	331
Noise level IEC 60704-2-13	45	55	63

Motor power: 150 W  
 Free outlet maximum capacity: 367 m<sup>3</sup>/h  
 Slider commands  
 3 speeds  
 2 aluminium grease filters  
 Vent outlet Ø 120 mm  
 Non return valve  
 2 halogen lamps (28 W)

Annual Efficiency Consumption (AEC<sub>hood</sub>): 129.2 kWh/year  
 Fluid dynamic efficiency class F  
 Lighting efficiency class G  
 Grease filtering efficiency class D  
 Sound power level at highest setting (L<sub>wa</sub>): 63 dB(A)

Frequency 50-60 Hz  
 Voltage 220-240 V





## KSET666XE

INTEGRATED FILTER HOOD, 60 CM, UNIVERSAL, SILVER / STEEL



**PLUS:**

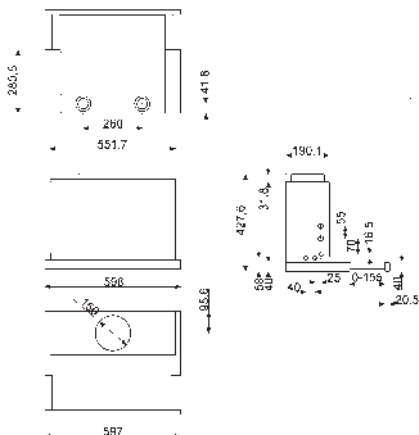


No. of speeds	I	II	III
Extraction rate IEC 61591	256	377	647
Noise level IEC 60704-2-13	46	55	67

Motor power: 200 W  
 Free outlet maximum capacity: 664 m<sup>3</sup>/h  
 Buttons  
 3 speeds  
 2 aluminium grease filters  
 Vent outlet Ø 150 mm  
 Non return valve  
 Non return valve

Annual Efficiency Consumption (AEC<sub>hood</sub>): 39 kWh/year  
 Fluid dynamic efficiency class A  
 Lighting efficiency class A  
 Grease filtering efficiency class D  
 Sound power level at highest setting (L<sub>wa</sub>): 67 dB(A)

Frequency 50-60 Hz  
 Voltage 220-240 V



✚ ZWH.430  
 ✚ ZWH.650

## KSET600XE

INTEGRATED HOOD, 60 CM, UNIVERSAL, STAINLESS STEEL



**PLUS:**

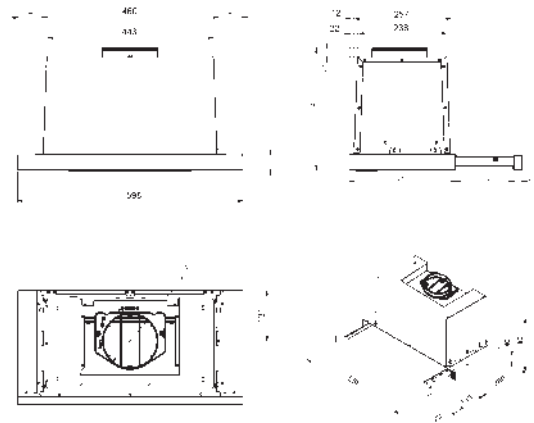


No. of speeds	I	II	III
Extraction rate IEC 61591	240	352	581
Noise level IEC 60704-2-13	45	55	66

Motor power: 175 W  
 Free outlet maximum capacity: 600 m<sup>3</sup>/h  
 Slider commands  
 3 speeds  
 2 aluminium grease filters  
 Vent outlet Ø 150 mm  
 Non return valve  
 2 halogen lamps (20 W)

Annual Efficiency Consumption (AEC<sub>hood</sub>): 104.9 kWh/year  
 Fluid dynamic efficiency class C  
 Lighting efficiency class F  
 Grease filtering efficiency class D  
 Sound power level at highest setting (L<sub>wa</sub>): 66 dB(A)

Frequency 50-60 Hz  
 Voltage 220-240 V



## KSET66E

INTEGRATED HOOD, 60 CM, UNIVERSAL, STAINLESS STEEL



**PLUS:**

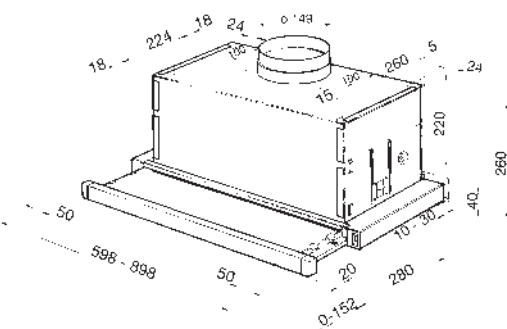


No. of speeds	I	II	III
Extraction rate IEC 61591	295	435	580
Noise level IEC 60704-2-13	52	61	68

Motor power: 140 W  
 Free outlet maximum capacity: 620 m<sup>3</sup>/h  
 Slider commands  
 3 speeds  
 2 aluminium grease filters  
 Vent outlet Ø 150 mm  
 Non return valve  
 2 led lamps (1 W)

Annual Efficiency Consumption (AEC<sub>hood</sub>): 77.7 KWh/year  
 Fluid dynamic efficiency class D  
 Lighting efficiency class A  
 Grease filtering efficiency class C  
 Sound power level at highest setting (L<sub>wa</sub>): 68 dB(A)

Frequency 50-60 Hz  
 Voltage 220-240 V



## KSET6XE

INTEGRATED HOOD, 60 CM, UNIVERSAL, SILVER / STEEL



**PLUS:**



No. of speeds	I	II	III
Extraction rate IEC 61591	300	410	470
Noise level IEC 60704-2-13	57	63	67

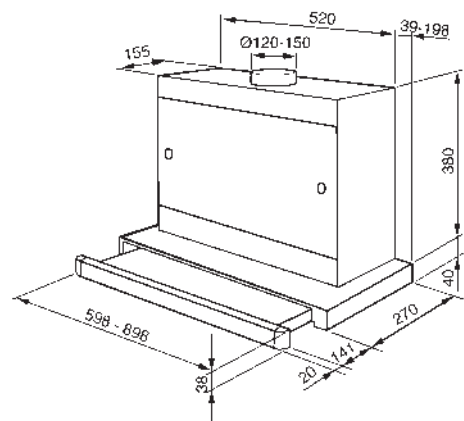
Motor power: 276 W  
 Free outlet maximum capacity: 510 m<sup>3</sup>/h  
 Slider commands  
 3 speeds  
 2 aluminium grease filters  
 Vent outlet Ø 120 mm

Annual Efficiency Consumption (AEC<sub>hood</sub>): 168.1 KWh/year  
 Fluid dynamic efficiency class F  
 Lighting efficiency class D  
 Grease filtering efficiency class C  
 Sound power level at highest setting (L<sub>wa</sub>): 67 dB(A)

Frequency 50 Hz  
 Voltage 220-240 V

### KSET56XE

Stainless steel  
 Frequency 50 Hz  
 Voltage 220-240 V  
 Universal



## KSET62E

INTEGRATED HOOD, 60 CM, UNIVERSAL, SILVER



**PLUS:**



No. of speeds	I	II	III
Extraction rate IEC 61591	145	242	331
Noise level IEC 60704-2-13	45	55	63

Motor power: 150 W  
 Free outlet maximum capacity: 367 m<sup>3</sup>/h  
 Slider commands  
 3 speeds  
 2 aluminium grease filters  
 Vent outlet Ø 120 mm  
 Non return valve  
 2 halogen lamps (28 W)

Annual Efficiency Consumption (AEC<sub>hood</sub>): 129.2 kWh/year  
 Fluid dynamic efficiency class F  
 Lighting efficiency class G  
 Grease filtering efficiency class D  
 Sound power level at highest setting (L<sub>wa</sub>): 63 dB(A)

Frequency 50-60 Hz  
 Voltage 220-240 V

## KSET61E

INTEGRATED HOOD, 60 CM, UNIVERSAL, SILVER



**PLUS:**

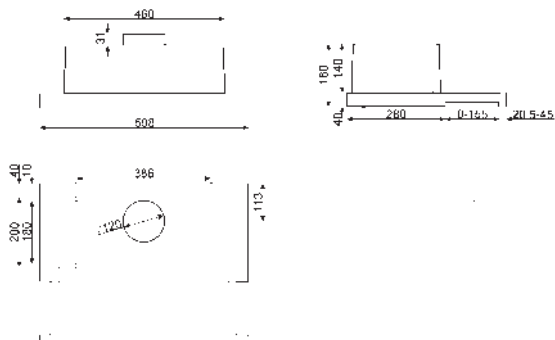


No. of speeds	I	II	III
Extraction rate IEC 61591	180	250	305
Noise level IEC 60704-2-13	53	61	67

Motor power: 145 W  
 Free outlet maximum capacity: 315 m<sup>3</sup>/h  
 Slider commands  
 3 speeds  
 2 aluminium grease filters  
 Vent outlet Ø 150 mm

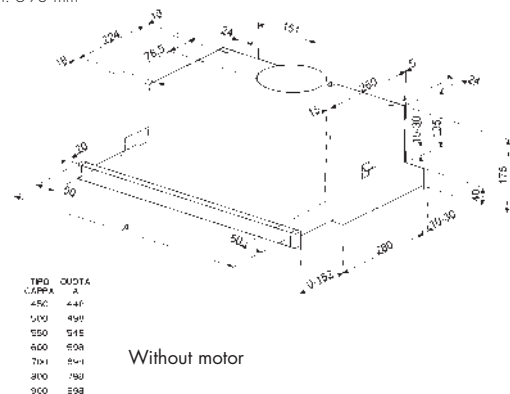
Annual Efficiency Consumption (AEC<sub>hood</sub>): 88.6 kWh/year  
 Fluid dynamic efficiency class F  
 Lighting efficiency class D  
 Grease filtering efficiency class C  
 Sound power level at highest setting (L<sub>wa</sub>): 67 dB(A)

Frequency 50 Hz  
 Voltage 220-240 V



## KSET61XSM

Silver, Painted material,  
 Width: 598 mm



Without motor

## KSP120HXE

INTEGRATED HOOD, 120 CM, UNIVERSAL, STAINLESS STEEL



**PLUS:**



No. of speeds	I	II	III	INT
Extraction rate IEC 61591	300	470	620	750
Noise level IEC 60704-2-13	52	61	67	70

Motor power: 250 W  
 Free outlet maximum capacity: 750 m<sup>3</sup>/h  
 Electronic control  
 Electronic buttons  
 3 speeds  
 Intensive speed  
 Automatic switch-off  
 4 aluminium grease filters  
 Vent outlet Ø 150 mm  
 2 led lamps (1 W)

Annual Efficiency Consumption (AEC<sub>hood</sub>): 83.5 kWh/year  
 Fluid dynamic efficiency class C  
 Lighting efficiency class A  
 Grease filtering efficiency class B  
 Sound power level at highest setting (L<sub>wa</sub>): 67 dB(A)

Frequency 50-60 Hz  
 Voltage 220-240 V

## KSP90HXE

INTEGRATED HOOD, 90 CM, UNIVERSAL, STAINLESS STEEL



**PLUS:**



No. of speeds	I	II	III	INT
Extraction rate IEC 61591	300	470	620	710
Noise level IEC 60704-2-13	52	61	67	70

Motor power: 250 W  
 Free outlet maximum capacity: 750 m<sup>3</sup>/h  
 Electronic control  
 Electronic buttons  
 3 speeds  
 Intensive speed  
 Automatic switch-off  
 3 aluminium grease filters  
 Vent outlet Ø 150 mm  
 2 led lamps (1 W)

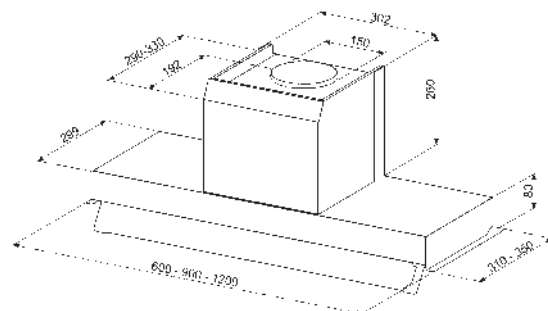
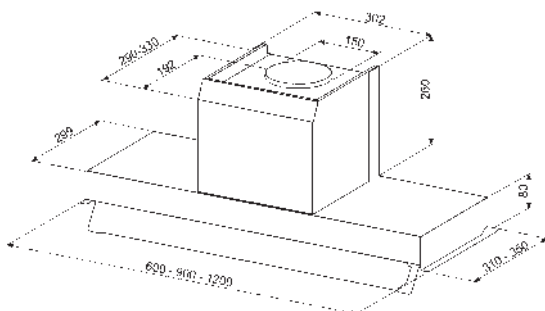
Annual Efficiency Consumption (AEC<sub>hood</sub>): 83.5 kWh/year  
 Fluid dynamic efficiency class C  
 Lighting efficiency class A  
 Grease filtering efficiency class B  
 Sound power level at highest setting (L<sub>wa</sub>): 67 dB(A)

Frequency 50-60 Hz  
 Voltage 220-240 V



## KSP60HXE

Stainless steel, Si/  
 steel, Width: 600 mm





## KSGT74B

INTEGRATED HOOD, 86 CM, UNIVERSAL, STEEL AND WHITE GLASS



**PLUS:**

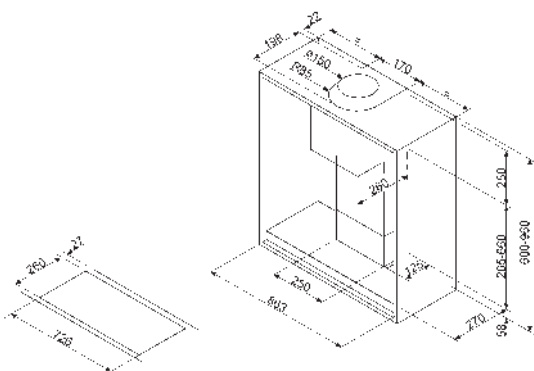


No. of speeds	I	II	III	INT
Extraction rate IEC 61591	322	444	516	573
Noise level IEC 60704-2-13	52	60	64	67

Motor power: 280 W  
 Free outlet maximum capacity: 830 m<sup>3</sup>/h  
 White glass  
 Electronic control  
 Electronic buttons  
 3 speeds  
 Intensive speed  
 Automatic switch-off  
 Vent outlet Ø 150 mm  
 Non return valve  
 2 led lamps (1 W)

Annual Efficiency Consumption (AEC<sub>hood</sub>): 67 kWh/year  
 Fluid dynamic efficiency class B  
 Lighting efficiency class A  
 Grease filtering efficiency class C  
 Sound power level at highest setting (L<sub>wa</sub>): 64 dB(A)

Frequency 50-60 Hz  
 Voltage 220-240 V



## KSG74B

INTEGRATED FILTER HOOD, UNIVERSAL, STEEL AND WHITE GLASS



**PLUS:**

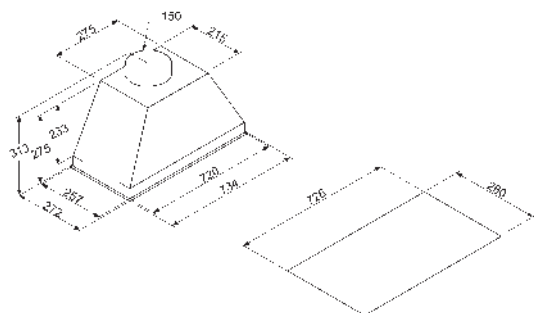


No. of speeds	I	II	III	INT
Extraction rate IEC 61591	280	367	480	700
Noise level IEC 60704-2-13	48	55	61	68

Motor power: 235 W  
 Free outlet maximum capacity: 750 m<sup>3</sup>/h  
 White glass  
 Electronic control  
 Electronic buttons  
 3 speeds  
 Intensive speed  
 Automatic switch-off  
 Vent outlet Ø 150 mm  
 Non return valve  
 2 led lamps (1 W)

Annual Efficiency Consumption (AEC<sub>hood</sub>): 58 kWh/year  
 Fluid dynamic efficiency class B  
 Lighting efficiency class A  
 Grease filtering efficiency class C  
 Sound power level at highest setting (L<sub>wa</sub>): 61 dB(A)

Frequency 50-60 Hz  
 Voltage 220-240 V



## KSEG78PXE

INTEGRATED FILTER HOOD, 77 CM, UNIVERSAL, STAINLESS STEEL



**PLUS:**

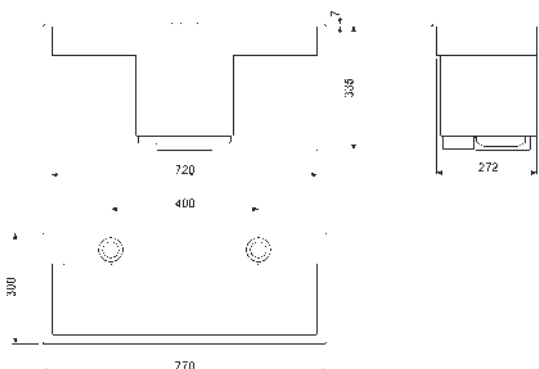


No. of speeds	I	II	III	INT
Extraction rate IEC 61591	261	436	606	683
Noise level IEC 60704-2-13	46	58	65	68

Motor power: 275 W  
 Free outlet maximum capacity: 673 m<sup>3</sup>/h  
 Electronic control  
 Electronic buttons  
 3 speeds  
 Intensive speed  
 Automatic switch-off  
 2 aluminium grease filters  
 Vent outlet Ø 150 mm  
 Non return valve  
 2 led lamps (1 W)

Annual Efficiency Consumption (AEC<sub>hood</sub>): 45.8 KWh/year  
 Fluid dynamic efficiency class A  
 Lighting efficiency class A  
 Grease filtering efficiency class E  
 Sound power level at highest setting (L<sub>wa</sub>): 65 dB(A)

Frequency 50-60 Hz  
 Voltage 220-240 V



## KSEG73XE

INTEGRATED FILTER HOOD, 70 CM, UNIVERSAL, STAINLESS STEEL



**PLUS:**

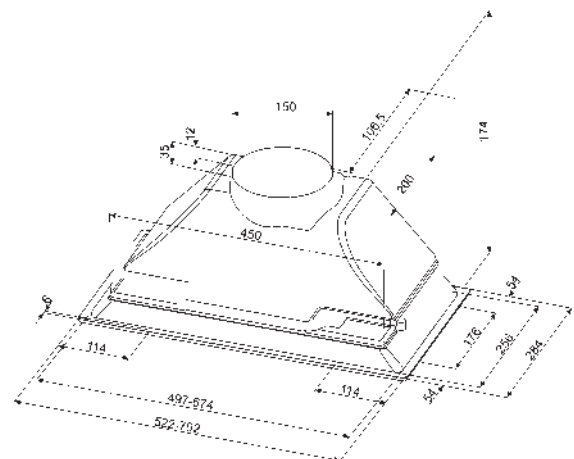


No. of speeds	I	II	III
Extraction rate IEC 61591	235	330	400
Noise level IEC 60704-2-13	57	66	70

Motor power: 140 W  
 Free outlet maximum capacity: 430 m<sup>3</sup>/h  
 Buttons  
 3 speeds  
 2 aluminium grease filters  
 Vent outlet Ø 150 mm  
 2 halogen lamps (20 W)

Annual Efficiency Consumption (AEC<sub>hood</sub>): 116.8 KWh/year  
 Fluid dynamic efficiency class F  
 Lighting efficiency class E  
 Grease filtering efficiency class C  
 Sound power level at highest setting (L<sub>wa</sub>): 70 dB(A)

Frequency 50-60 Hz  
 Voltage 220-240 V



## KSEG7XE

INTEGRATED FILTER HOOD, 70 CM, UNIVERSAL, STAINLESS STEEL



**PLUS:**

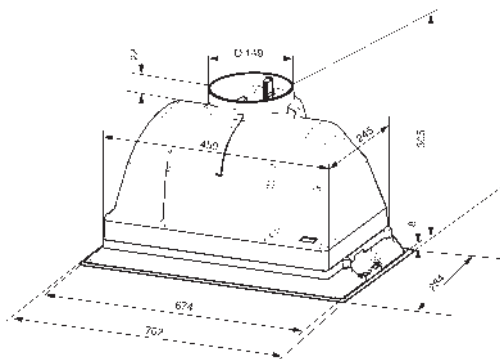


No. of speeds	I	II	III
Extraction rate IEC 61591	250	340	505
Noise level IEC 60704-2-13	52	59	69

Motor power: 205 W  
 Free outlet maximum capacity: 520 m<sup>3</sup>/h  
 Slider commands  
 3 speeds  
 2 aluminium grease filters  
 Vent outlet Ø 150 mm  
 2 halogen lamps (28 W)

Annual Efficiency Consumption (AEC<sub>hood</sub>): 127.2 kWh/year  
 Fluid dynamic efficiency class D  
 Lighting efficiency class G  
 Grease filtering efficiency class C  
 Sound power level at highest setting (L<sub>wa</sub>): 69 dB(A)

Frequency 50-60 Hz  
 Voltage 220-240 V



## KSEG7E

INTEGRATED FILTER HOOD, 70 CM, UNIVERSAL, SILVER



**PLUS:**

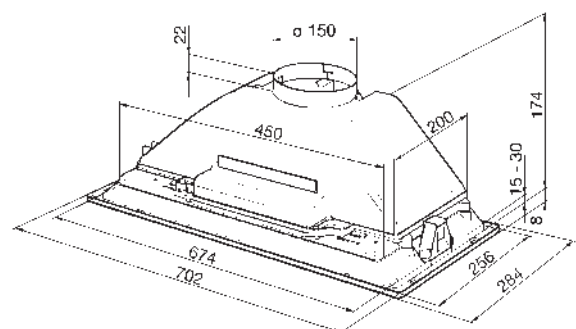


No. of speeds	I	II	III
Extraction rate IEC 61591	175	220	270
Noise level IEC 60704-2-13	55	60	64

Motor power: 125 W  
 Free outlet maximum capacity: 320 m<sup>3</sup>/h  
 Electronic buttons  
 3 speeds  
 2 metal grease filters  
 Vent outlet Ø 150 mm  
 2 halogen lamps (28 W)

Annual Efficiency Consumption (AEC<sub>hood</sub>): 105.9 kWh/year  
 Fluid dynamic efficiency class F  
 Lighting efficiency class G  
 Grease filtering efficiency class G  
 Sound power level at highest setting (L<sub>wa</sub>): 64 dB(A)

Frequency 50 Hz  
 Voltage 220-240 V





## KSEC6BE

INTEGRATED HOOD, 60 CM, UNIVERSAL, WHITE



**PLUS:**



No. of speeds	I	II	III
Extraction rate IEC 61591	190	220	235
Noise level IEC 60704-2-13	64	67	69

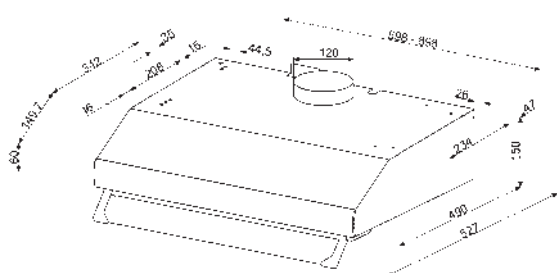
Motor power: 125 W  
 Free outlet maximum capacity: 250 m<sup>3</sup>/h  
 Slider commands  
 3 speeds  
 Single grease filter with filter holder  
 Vent outlet Ø 120 mm  
 2 halogen lamps (28 W)

Annual Efficiency Consumption (AEC<sub>hood</sub>): 105.3 kWh/year  
 Fluid dynamic efficiency class F  
 Lighting efficiency class G  
 Grease filtering efficiency class G  
 Sound power level at highest setting (L<sub>wa</sub>): 69 dB(A)

Frequency 50 Hz  
 Voltage 220-240 V



**KSEC6SE**  
 Silver, Painted material,  
 Width: 598 mm



## KSEG51E

INTEGRATED FILTER HOOD, 52 CM, UNIVERSAL, BLACK



**PLUS:**



No. of speeds	I	II	III
Extraction rate IEC 61591	120	160	220
Noise level IEC 60704-2-13	50	54	59

Motor power: 95 W  
 Free outlet maximum capacity: 220 m<sup>3</sup>/h  
 Slider commands  
 3 speeds  
 Single metal grease filter  
 Vent outlet Ø 150 mm  
 2 halogen lamps (28 W)

Annual Efficiency Consumption (AEC<sub>hood</sub>): 94.8 kWh/year  
 Fluid dynamic efficiency class F  
 Lighting efficiency class G  
 Grease filtering efficiency class F  
 Sound power level at highest setting (L<sub>wa</sub>): 59 dB(A)

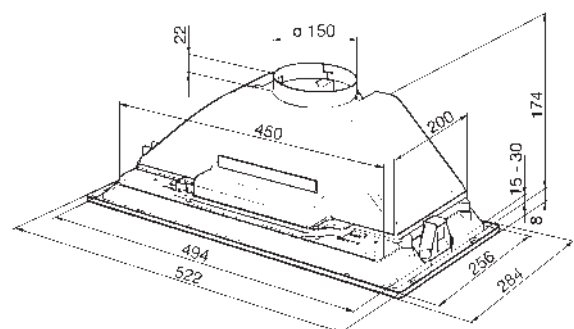
Frequency 50 Hz  
 Voltage 220-240 V



**KSEG5E**  
 Silver, Painted material,  
 Width: 522 mm



**KSEG5XE**  
 Stainless steel, St/  
 steel, Width: 522 mm



## KSEG58PXE

INTEGRATED FILTER HOOD, 54 CM, UNIVERSAL, STAINLESS STEEL



**PLUS:**

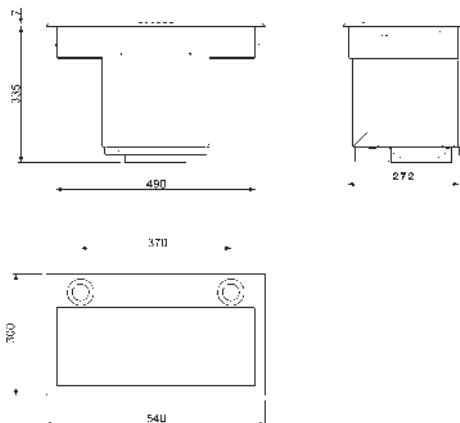


No. of speeds	I	II	III	INT
Extraction rate IEC 61591	261	436	606	683
Noise level IEC 60704-2-13	46	58	65	68

Motor power: 275 W  
 Free outlet maximum capacity: 673 m<sup>3</sup>/h  
 Electronic control  
 Electronic buttons  
 3 speeds  
 Intensive speed  
 Automatic switch-off  
 2 aluminium grease filters  
 Vent outlet Ø 150 mm  
 Non return valve  
 2 led lamps (1 W)

Annual Efficiency Consumption (AEC<sub>hood</sub>): 45.8 kWh/year  
 Fluid dynamic efficiency class A  
 Lighting efficiency class A  
 Grease filtering efficiency class E  
 Sound power level at highest setting (L<sub>wa</sub>): 65 dB(A)

Frequency 50-60 Hz  
 Voltage 220-240 V



## KSEG55XE

INTEGRATED FILTER HOOD, 52 CM, UNIVERSAL, STAINLESS STEEL



**PLUS:**

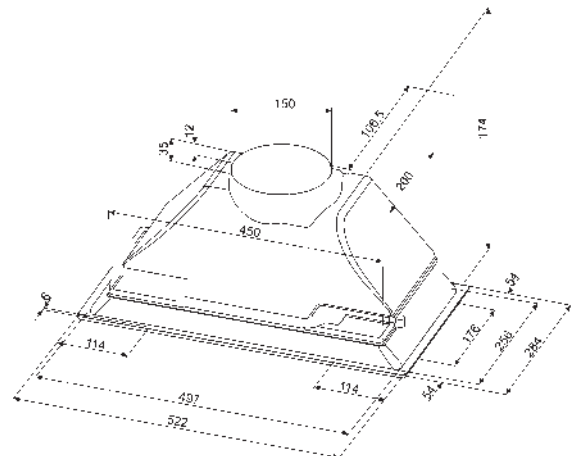


No. of speeds	I	II	III
Extraction rate IEC 61591	235	330	400
Noise level IEC 60704-2-13	57	66	70

Motor power: 140 W  
 Free outlet maximum capacity: 430 m<sup>3</sup>/h  
 Buttons  
 3 speeds  
 2 aluminium grease filters  
 Vent outlet Ø 150 mm  
 2 halogen lamps (20 W)

Annual Efficiency Consumption (AEC<sub>hood</sub>): 116.8 kWh/year  
 Fluid dynamic efficiency class F  
 Lighting efficiency class E  
 Grease filtering efficiency class C  
 Sound power level at highest setting (L<sub>wa</sub>): 70 dB(A)

Frequency 50-60 Hz  
 Voltage 220-240 V



## KSGT56B

INTEGRATED HOOD, 56 CM, UNIVERSAL, STEEL AND WHITE GLASS



**PLUS:**

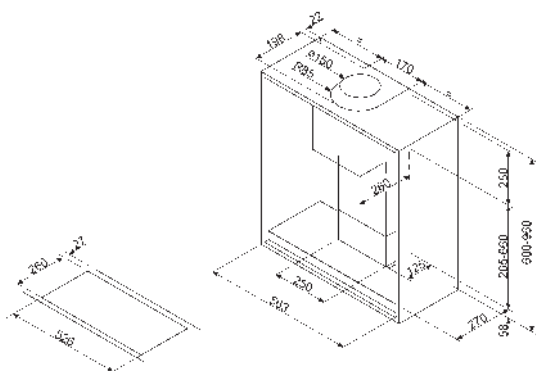


No. of speeds	I	II	III	INT
Extraction rate IEC 61591	322	444	516	573
Noise level IEC 60704-2-13	51	60	63	67

Motor power: 280 W  
 Free outlet maximum capacity: 830 m<sup>3</sup>/h  
 White glass  
 Electronic control  
 Electronic buttons  
 3 speeds  
 Intensive speed  
 Automatic switch-off  
 Vent outlet Ø 150 mm  
 Non return valve  
 2 led lamps (1 W)

Annual Efficiency Consumption (AEC<sub>hood</sub>): 67 kWh/year  
 Fluid dynamic efficiency class B  
 Lighting efficiency class A  
 Grease filtering efficiency class C  
 Sound power level at highest setting (L<sub>wa</sub>): 63 dB(A)

Frequency 50-60 Hz  
 Voltage 220-240 V



## KSG52B

INTEGRATED FILTER HOOD, 52 CM, UNIVERSAL, STEEL AND WHITE GLASS



**PLUS:**

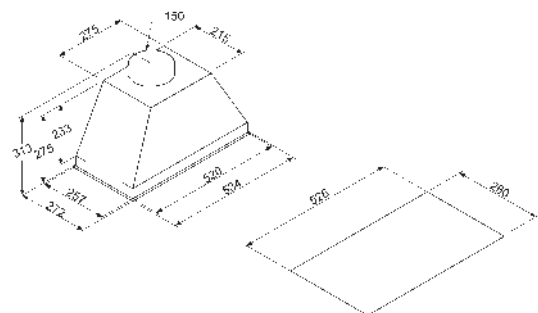


No. of speeds	I	II	III	INT
Extraction rate IEC 61591	260	350	460	630
Noise level IEC 60704-2-13	49	57	64	70

Motor power: 235 W  
 Free outlet maximum capacity: 750 m<sup>3</sup>/h  
 White glass  
 Electronic control  
 Electronic buttons  
 3 speeds  
 Intensive speed  
 Automatic switch-off  
 Vent outlet Ø 150 mm  
 Non return valve  
 2 led lamps (1 W)

Annual Efficiency Consumption (AEC<sub>hood</sub>): 63 kWh/year  
 Fluid dynamic efficiency class B  
 Lighting efficiency class A  
 Grease filtering efficiency class C  
 Sound power level at highest setting (L<sub>wa</sub>): 64 dB(A)

Frequency 50-60 Hz  
 Voltage 220-240 V



## KIV90XT-2

ISLAND DECORATIVE HOOD, 90 CM, UNIVERSAL, STEEL AND GLASS



### PLUS:



No. of speeds	I	II	III	IV
Extraction rate IEC 61591	210	396	548	726
Noise level IEC 60704-2-13	37	56	64	72

Motor power: 250 W

Free outlet maximum capacity: 700 m<sup>3</sup>/h

Glass

Electronic control

Electronic buttons

4 speeds

Automatic switch-off

2 aluminium grease filters

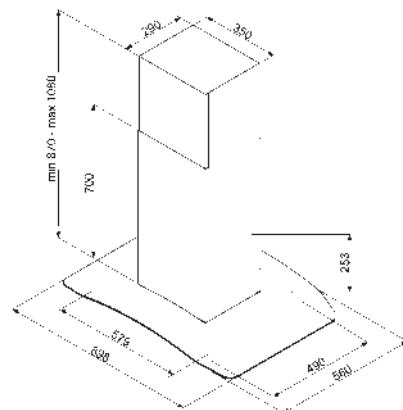
Vent outlet Ø 150 mm

Non return valve

4 halogen lamps (20 W)

Frequency 60 Hz

Voltage 120 V



## KIL70E

INTEGRATED FILTER HOOD, 70 CM, UNIVERSAL, SILVER



**PLUS:**

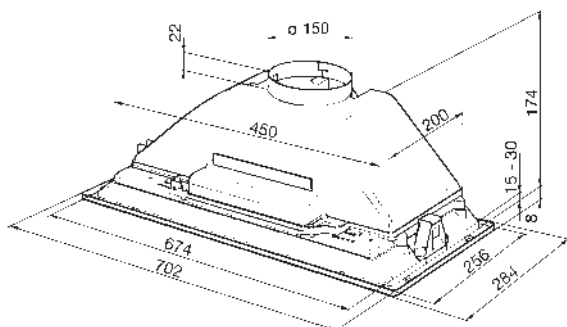


No. of speeds	I	II	III
Extraction rate IEC 61591	175	220	270
Noise level IEC 60704-2-13	55	60	64

Motor power: 125 W  
 Free outlet maximum capacity: 300 m<sup>3</sup>/h  
 Slider commands  
 3 speeds  
 2 aluminium grease filters  
 Vent outlet Ø 150 mm  
 2 halogen lamps (28 W)

Annual Efficiency Consumption (AEC<sub>hood</sub>): 105.9 kWh/year  
 Fluid dynamic efficiency class F  
 Lighting efficiency class G  
 Grease filtering efficiency class C  
 Sound power level at highest setting (L<sub>wa</sub>): 64 dB(A)

Frequency 50 Hz  
 Voltage 220-240 V



## KIL52E

INTEGRATED FILTER HOOD, 52 CM, UNIVERSAL, SILVER



**PLUS:**

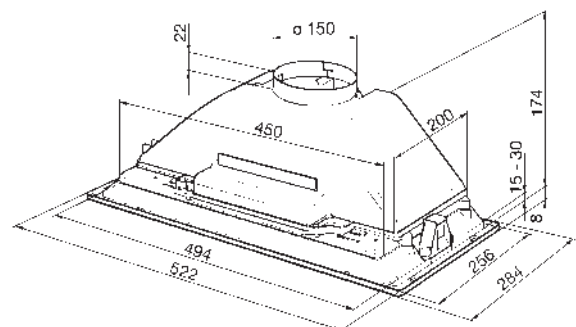


No. of speeds	I	II	III
Extraction rate IEC 61591	175	220	270
Noise level IEC 60704-2-13	55	60	64

Motor power: 125 W  
 Free outlet maximum capacity: 300 m<sup>3</sup>/h  
 Slider commands  
 3 speeds  
 2 aluminium grease filters  
 Vent outlet Ø 150 mm  
 2 halogen lamps (28 W)

Annual Efficiency Consumption (AEC<sub>hood</sub>): 105.9 kWh/year  
 Fluid dynamic efficiency class F  
 Lighting efficiency class G  
 Grease filtering efficiency class C  
 Sound power level at highest setting (L<sub>wa</sub>): 64 dB(A)

Frequency 50 Hz  
 Voltage 220-240 V



## KI70E

INTEGRATED FILTER HOOD, 70 CM, UNIVERSAL, SILVER



**PLUS:**

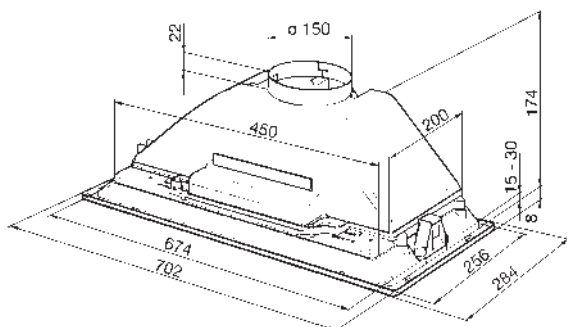


No. of speeds	I	II	III
Extraction rate IEC 61591	175	220	270
Noise level IEC 60704-2-13	55	60	64

Motor power: 125 W  
 Free outlet maximum capacity: 300 m<sup>3</sup>/h  
 Slider commands  
 3 speeds  
 Single grease filter with filter holder  
 Vent outlet Ø 150 mm  
 2 halogen lamps (28 W)

Annual Efficiency Consumption (AEC<sub>hood</sub>): 105.9 kWh/year  
 Fluid dynamic efficiency class F  
 Lighting efficiency class G  
 Grease filtering efficiency class D  
 Sound power level at highest setting (L<sub>wa</sub>): 64 dB(A)

Frequency 50 Hz  
 Voltage 220-240 V



## KI52E

INTEGRATED FILTER HOOD, 52 CM, UNIVERSAL, SILVER



**PLUS:**

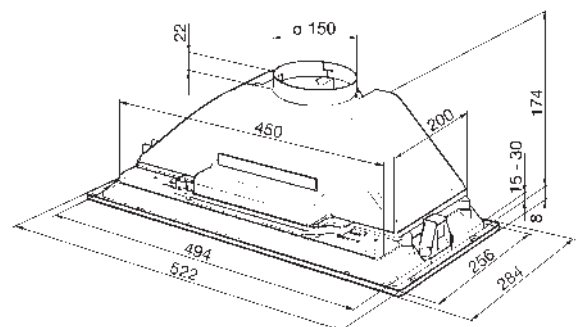


No. of speeds	I	II	III
Extraction rate IEC 61591	175	220	270
Noise level IEC 60704-2-13	55	60	64

Motor power: 125 W  
 Free outlet maximum capacity: 300 m<sup>3</sup>/h  
 Slider commands  
 3 speeds  
 Single grease filter with filter holder  
 Vent outlet Ø 150 mm  
 2 halogen lamps (28 W)

Annual Efficiency Consumption (AEC<sub>hood</sub>): 105.9 kWh/year  
 Fluid dynamic efficiency class F  
 Lighting efficiency class G  
 Grease filtering efficiency class D  
 Sound power level at highest setting (L<sub>wa</sub>): 64 dB(A)

Frequency 50 Hz  
 Voltage 220-240 V

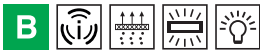


## KQ45XE

WALL DECORATIVE HOOD, 45 CM, UNIVERSAL, STAINLESS STEEL



**PLUS:**

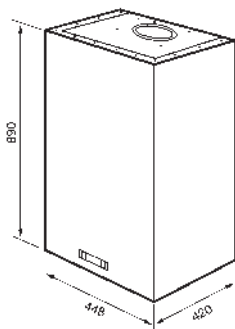


No. of speeds	I	II	III	INT
Extraction rate IEC 61591	290	400	550	700
Noise level IEC 60704-2-13	50	56	66	68

Motor power: 270 W  
 Free outlet maximum capacity: 710 m<sup>3</sup>/h  
 Electronic control  
 Electronic buttons  
 3 speeds  
 Intensive speed  
 Single aluminium grease filter  
 Vent outlet Ø 150 mm  
 2 halogen lamps (20 W)

Annual Efficiency Consumption (AEC<sub>hood</sub>): 93.1 KWh/year  
 Fluid dynamic efficiency class A  
 Lighting efficiency class D  
 Grease filtering efficiency class C  
 Sound power level at highest setting (L<sub>wa</sub>): 66 dB(A)

Frequency 50-60 Hz  
 Voltage 220-240 V

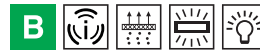


## KIR37XE

ISLAND DECORATIVE HOOD, 37 CM, UNIVERSAL, STAINLESS STEEL



**PLUS:**



No. of speeds	I	II	III	INT
Extraction rate IEC 61591	280	400	560	660
Noise level IEC 60704-2-13	52	61	65	68

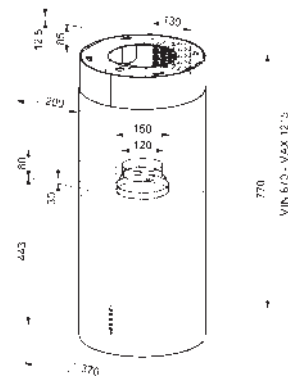
Motor power: 270 W  
 Free outlet maximum capacity: 800 m<sup>3</sup>/h  
 Electronic control  
 Electronic buttons  
 3 speeds  
 Intensive speed  
 Single aluminium grease filter  
 Vent outlet Ø 150 mm  
 Non return valve  
 2 led lamps (1 W)

Annual Efficiency Consumption (AEC<sub>hood</sub>): 69.1 KWh/year  
 Fluid dynamic efficiency class B  
 Lighting efficiency class A  
 Grease filtering efficiency class B  
 Sound power level at highest setting (L<sub>wa</sub>): 65 dB(A)

Frequency 50-60 Hz  
 Voltage 220-240 V



**KR37XE**  
 Stainless steel, St/  
 steel, Width: 370 mm



**KITCMNDSBL**

CHIMNEY



Chimney 2 PIECES dimension 550 min 850 max (270 \* 180) KSVV90NRA - KSVV90NX

**KITCMNFABBL**

EXTENSION KIT BLACK FIREPLACE



Chimney 2 PIECES dimension 550 min 1035 max (263 \* 257) KFAB75BL BLACK

**KITCMNFABCR**

EXTENSION KIT FIREPLACE, CREAM



Chimney 2 PIECES dimension 550 min 1035 max (263 \* 257) KFAB75CR CREAM

**KITCMNFABRD**

EXTENSION KIT FIREPLACE, RED



Chimney 2 PIECES dimension 550 min 1035 max (263 \* 257) KFAB75RD RED

**KITCMNFABWH**

EXTENSION KIT FIREPLACE, WHITE



Chimney 2 PIECES dimension 550 min 1035 max (263 \* 257) KFAB75WH WHITE

**KITCMNKAT**

CHIMNEY EXTENSION



Chimney extension dimension 241 \* 231 \* 810 T-shape hood KAT & KATE Stainless Steel

**KITCMNKBU**

CHIMNEY EXTENSION



Chimney extension dimension 227.5 \* 190 \* 800 Victoria Hood Black

**KITCMNKD**

CHIMNEY EXTENSION



Chimney extension dimension 202.8 \* 276 \* 800

**KITCMNFABUJ**

CHIMNEY EXTENSION



Chimney 2 PIECES dimension 550 min 1035 max (263 \* 257) KFAB75UJ Blue



### KITCMNKPU

CHIMNEY EXTENSION



Chimney extension dimension 227.5 \* 190 \* 800 Cream Victoria hood 90 cm

### KITCMNKSA

CHIMNEY EXTENSION



Chimney extension dimension 205 \* 172 \* 900 T-shape hood KSA Stainless Steel

### KITCMNKXU

CHIMNEY EXTENSION



Chimney extension dimension 227.5 \* 190 \* 800 Victoria hood Stainless Steel

### KITFC29

CHARCOAL FILTER



1 charcoal filter for hoods

### KITFC31

CHARCOAL FILTER



Charcoal filters round Kit 1 piece

### KITFC152

CHARCOAL FILTER



Charcoal filters Round Kit 2 pieces

### KITFC155

CHARCOAL FILTER



Charcoal filters Round Kit 2 pieces

### KITFC156

CHARCOAL FILTER



Charcoal filters Kit 2 pieces square

### KITFC161

CHARCOAL FILTER



1 charcoal filter for hoods

**KITFC400**

CHARCOAL FILTERS (KIT 1 PIECE SQUARE)



**KITFC450**

CHARCOAL FILTERS (KIT 2 PIECES)



**KITFC550**

CHARCOAL FILTERS (KIT 1 PIECE SQUARE)



**KITFC900**

LONG LIFE CHARCOAL FILTER



1 long life charcoal filter for hoods

**KITFC906**

CHARCOAL FILTER



1 charcoal filter for hoods

**KITFC999**

CHARCOAL FILTER



**FLT6**

CHARCOAL FILTER



Set of 2 charcoal filters for hoods

**FLTK-1**

CHARCOAL FILTER



Set of 2 charcoal filters for hoods

**FLTSI**

FILTER KIT



Active carbon filter kit for hood

### RCKF

REMOTE CONTROL



### KITKDSNBG

HOOD FRAME



HOOD FRAME BLACK GLASS AND SS.  
FLUSH INSTALLATION KSD90VN-2

### KITKDSNRA

HOOD FRAME



HOOD FRAME BLACK GLASS WITH  
COPPER PROFILE FLAT INSTALLATION  
KSD90VN-2

### KITKDSNX

HOOD FRAME



HOOD FRAME BLACK GLASS WITH  
STAINLESS STEEL PROFILE FLAT  
INSTALLATION KSD90VN-2

### KITRBDD

REMOTE ENGINE KIT

Remote engine kit for downdraft hoods

### KITSMNKSM

CHIMNEY EXTENSION



chimney extension dimension 257.8 \*  
297 \* 800

### KITVENT150

NO RETURN VALVE



No return valve diameter 150 mm

## HOODS ACCESSORIES

KA1VAE	FLT6			
KA1VPE	FLT6			
KAT1200HXE	KITCMNKAT			
KAT600HXE	KITCMNKAT	KITFC900	KITFC999	
KAT700HXE	KITCMNKAT	KITFC900	KITFC999	
KAT900HXE	KITCMNKAT	KITFC900	KITFC999	
KATE600EX	KITCMNKAT	KITFC900	KITFC999	
KATE900EX	KITCMNKAT	KITFC900	KITFC999	
KC16AOE	FLT6			
KC16POE	FLT6			
KC19AOE	FLT6			
KC19BSE	FLT6			
KC19OTE	FLT6			
KC19POE	FLT6			
KC19RAE	FLT6			
KC19RWE	FLT6			
KCI19AOE	FLT6			
KCI19POE	FLT6			
KCL900POE	FLT6			
KCM900POE	FLT6			
KCV60SE2	KITFC152			
KCV80BE2	KITFC152			
KCV80NE2	KITFC152			
KCV80SE2	KITFC152			
KCV9BE2	KITFC906	KITFTS		
KCV9NE2	KITFC906	KITFTS		
KCV9SE2	KITFC906	KITFTS		
KD100NE	FLT6			
KD100XE	FLT6			
KD120HXE	FLT6			
KD150XE	FLT6			
KD70XE	FLT6	KITCMNKD		
KD90HAE	FLT6			
KD90HNE	FLT6			
KD90HXE	FLT6			
KD90RWE	FLT6			
KDD60VXE-2	KITFCDD60	KITVEN150		
KDD90VXE-2	KITFCDD	KITRBDD	KITVEN150	RCKF
KDE600EX	KITFC450			
KDE900EX	KITFC450			
KE61EBE	KITFC31			
KE61NEE	KITFC31			
KE61XE	KITFC31			
KE91NEE	KITFC31			
KE91XE	KITFC31			
KEIV90E	KITFC161			
KFAB75BL	FLTSI	KITCMNFABBL		
KFAB75CR	FLTSI	KITCMNFABCR		
KFAB75RD	FLTSI	KITCMNFABRD		
KFAB75WH	FLTSI	KITCMNFABWH		
KFV92E	KITFC161			
KI120XE	FLT6			
KI52E	KITFC155			
KI905NXE2	FLT6			
KI90XE	FLT6			
KIL52E	KITFC155			
KIL70E	KITFC155			
KIV90XT-2	KITFC161			
KL175XE	FLT6			
KL190XE	FLT6			

## HOODS ACCESSORIES

KPF36UAN	FLTK-1		
KPF36UBL	FLTK-1		
KPF36UOG	FLTK-1		
KPF36UOR	FLTK-1		
KPF36URD	FLTK-1		
KPF36UWH	FLTK-1		
KPF36UX	FLTK-1		
KPF36UYW	FLTK-1		
KPF9AN	FLT6		
KPF9BL	FLT6		
KPF9OG	FLT6		
KPF9OR	FLT6		
KPF9RD	FLT6		
KPF9WH	FLT6		
KPF9X	FLT6		
KPF9YW	FLT6		
KS110BLE	FLT4		
KS110XE	FLT4		
KS1250XE	FLT4		
KS59AOE	FLT6		
KS59PE	FLT6		
KS59POE	FLT6		
KS605BXE2	KITFC906		
KS605NXE2	KITFC906		
KS605SXE2	KITFC906		
KS6500XE	FLT4		
KS89AE	FLT6		
KS89AOE	FLT6		
KS89PE	FLT6		
KS89POE	FLT6		
KS89RAE	FLT6		
KS905BXE	KITFC906		
KS905BXE2	KITFC906		
KS905NXE	KITFC906		
KS905NXE2	KITFC906		
KS905SXE2	KITFC906		
KS9500BLE	FLT4		
KS951NXE2	KITFC906		
KSA600HXE	KITCMNKSA	KITFC29	
KSA900HXE	KITCMNKSA	KITFC29	
KSD90VN-2	KITKDSNBG	KITKDSNRA	KITKDSNX
KSE600CHXE	KITFC29		
KSE86AOE	FLT6		
KSE86POE	FLT6		
KSE900CHXE	KITFC29		
KSEC61NEE	KITFC31		
KSEC61XE	KITFC31		
KSEC66XE	KITFC31		
KSEC6BE	KITFC31		
KSEC6SE	KITFC31		
KSEC91XE	KITFC31		
KSEC96XE	KITFC31		
KSED65BE	FLT6		
KSED65NEE	FLT6		
KSED65PE	FLT6		
KSED65XE	FLT6		
KSED75XE	FLT6		
KSED92NXE	FLT6		
KSED95AE	FLT6		
KSED95NEE	FLT6		
KSED95PE	FLT6		
KSED95RWE	FLT6		
KSED95XE	FLT6		
KSEG120XE-2	RCKF		

KSEG51E	KITFC155		
KSEG5E	KITFC155		
KSEG5XE	KITVEN150		
KSEG7E	KITFC155		
KSEG7XE	KITVEN150		
KSEG90VXBE-2	RCKF		
KSEG90VXNE-2	RCKF		
KSEI62E	KITFC31		
KSEIR62E	KITFC31		
KSEIR62PSE	KITFC31		
KSEIR92E	KITFC31		
KSET61E	KITFC155		
KSET666XE	KITFC400		
KSET6XE	KITFC156		
KSET91E	KITFC155		
KSET999XE	KITFC400		
KSET9XE	KITFC156		
KSP120HXE	KITFC161	RCKF	
KSP60HXE	KITFC161	RCKF	
KSP90HXE	KITFC161	RCKF	
KSVV90NRA	KITCMNDSBL		
KSVV90NX	KITCMNDSBL		
KT110BE	FLT6		
KT110BLE	FLT6		
KT110PE	FLT6		
KT61EBE	KITFC31		
KT61NEE	KITFC31		
KT61XE	KITFC31		
KT90BE	FLT6		
KT90BLE	FLT6	KITCMNKBU	
KT90PE	FLT6	KITCMNKPU	
KT91EBE	KITFC31		
KT91NEE	KITFC31		
KT91XE	KITFC31		
KTE60EX	KITFC550		
KTE90EX	KITFC550		
KTR110XE	FLT6		
KTR90XE	FLT6	KITCMNKXU	
KTS75BCE2	KITFC906	KITFTS	
KTS75NCE2	KITFC906	KITFTS	
KTS75SCE2	KITFC906	KITFTS	
KV90XE	KITFC161		
KSET66VBE2	KITFC152		
KET900CHXE	KITFC900	KITFC999	KITCMNKAT
KAT600CHXE	KITFC900	KITFC999	KITCMNKAT
K90XE	KITFC161		
KAP900XE	FLT4		
KAP800XE	FLT4		
KAP700XE	FLT4		
KAP600XE	FLT4		
KS120XE-2	FLT4		
KS90XE-2	FLT4		
KS70XE-2	FLT4		
KS60XE-2	FLT4		
KS90XE	FLT4		
KS60XE	FLT4		
KSET999XE	KITFC400		
KI70E	KITFC155		
KIR37XE	KITFC161	KITVENT150	
KQ45XE	KITFC152		

# REFRIGERATION

All Smeg fridges are designed to enhance the environment they inhabit. Their lines, colors and materials blend beautifully with other furniture, lending a touch of style and prestige.



# Smeg refrigerators

*exuding technology and style*

The wide choice of different materials and color effects can meet all sorts of tastes and bring originality and personality to any space.



LUXURY



FREESTANDING



BUILT-IN



SIDE-BY-SIDE



FRENCH DOOR



4 DOOR



## GENERAL FEATURES

# *high performance*

In addition to the distinctive product design Smeg engineers developed technological solutions that maximize energy efficiency and ease of use of refrigerators and freezers.



### TOTAL NO FROST

Total No Frost prevents the formation of frost in the refrigerator and freezer compartments. Thus, there is no need to defrost the refrigerator, texture and taste of food are not altered.



### FAST FREEZING

This option is particularly useful when you want to freeze a large quantity of fresh food. It is necessary to activate it an hour before introducing the fresh food. Freezer reduces the temperature even further and after a few hours at a low temperature it automatically restores normal operation.



### INVERTER MOTOR

Compressors with inverter motor work constantly, increasing or decreasing their speed in order to keep the temperature at the desired level and so this system uses exactly as much power as necessary, to maintain a stable temperature inside the refrigerator. Therefore this systems offers: minimum noise level, low power consumption, reliability and durability



### ENERGY EFFICIENCY

Smeg refrigerators allow to save up to 20% energy compared to A class, protecting the environment and still maintaining the highest level of performances.



### SLOT-IN

The door opens at 90° and does not stick out, making it perfectly integrated with the furniture.



### VERY SILENT

Excellent insulation and special devices, specifically designed to muffle the sound generated during operation, keep the noise to the minimum level.

# LUXURY COOL

## *advanced technology*

### **BOTTLE COOLER**

This function can be activated when it is necessary to cool off beverages quickly, by placing them inside the freezer compartment. It is possible to select duration of 1 up to 45 minutes. The sound signal will indicate when the optimal temperature has been reached.

### **SELF-BALANCING HINGES**

The special design of the door fastening guarantees stability for an unlimited number of openings.



### **SUPER COOLING**

This function lowers the refrigerator temperature to +2°C for 12 hours, permitting more rapid cooling of food that has just been placed in. Once the 12 hours have expired, the function deactivates automatically, returning to the previously set temperature.



### **MULTIZONE**

This interchangeable compartment can be used either as a fridge or as a freezer.

### **AUTOMATIC ICE MAKER**

The system guarantees ice cubes production and the possibility of selecting their size. The fridge must be connected to water supply.



## EXTENDING REFRIGERATION SPACE

# *ingenious storage solutions*

Large capacity refrigerators in American style are characterized by a stunning design and capacious interior space in which you can store a large amount of products. Smeg offers different models in both the 'French door' and 'Side-by-side' styles to suit different needs. Internal space organization of refrigerators and freezers ensure optimal use of the appliance, and smeg distinctive design will make it a central subject in the kitchen to match any lifestyle.



### FILTER

A specific device neutralizes odors by filtering the cold air that circulates inside the refrigerator.



### LIFE PLUS ZONE

Kept within the controlled temperature of 0°C, perishable foods can be preserved longer.



### ACTIVE FRESH BLUE LIGHT

The unique lighting system increases the storage time of fruits and vegetables.

### MULTIZONE

This interchangeable compartment can be used either as a fridge or as a freezer. You just need to set the required temperature on the electronic display.

Smeg offers a wide range of built-in refrigerators for various niches of installation. In the range one can find both combined and separate refrigerators and freezers which together allow creating a single side-by-side refrigerator.



## UNMISTAKABLE DESIGN

### *fabulous 50's retro style*

Emerged from the bright colors, influenced by pop art, from the rounded forms and smooth lines, the collection of Smeg fridges in the 50s style is nothing but a modern interpretation of traditional appliances. The series is presented by the variety of colors, from a delicate cream to vibrant lime green, and different sizes: from the ultra-spacious FAB50 down to the petite proportions of the FAB5 minibar.



REFRIGERATION



### *black board refrigerator*

Smeg presents one of the latest innovations in the FAB range: a refrigerator that encompasses new material, technical solutions and the result of researches in terms of lifestyle - FAB28RDBB. Its surface with a special coating is a "chalkboard" on which you can endlessly draw and leave messages.

The refrigerator, to which a set of colored crayons and an erasing sponge are attached, ceases to be just a household appliance, and starts to be a place where the family can interact by leaving and reading "real life" messages.

## TRUE ICONS

*two leaders of the Made in Italy,  
one original item*

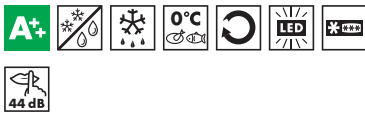


An extraordinary item for the "FIAT 500 Design collection". The Smeg500 is something more than just a fridge. It is a crossbreed of concepts for today's most exclusive spaces, from the homes of a collector to a lounge bar for fashion drinks.



## FAB50RCR

REFRIGERATOR, DOUBLE DOOR, FREE STANDING, RIGHT HAND HINGE, CREAM, 50'S STYLE



### REFRIGERATOR:

Storage volume fresh food compartment:  
315 litres  
Multiflow  
Interior light  
Extra-fresh zone  
3 adjustable glass shelves  
Glass shelf to cover fruit and vegetable container  
2 fruit and vegetables drawers

### INNERDOOR FRIDGE:

1 bottle balcony

### FREEZER:

Storage volume frozen food compartment:  
97 litres  
LED light in freezer  
Inside light  
Fast freezing compartment  
1 compartment with pull-down flap  
Manual ice-maker

Annual energy consumption: 300 KWh  
Electrical connection rating: 197 W  
Climatic class: N, T  
Freezing capacity: 5.5 Kg/h  
Thaw time: 10 hrs

Voltage: 220-240 V  
Current: 1.37 Amp  
Frequency: 50 Hz

Accessories: Cheese box, Butter dish, Egg holder

## FAB50RBL

REFRIGERATOR, DOUBLE DOOR, FREE STANDING, RIGHT HAND HINGE, BLACK, 50'S STYLE



### ALSO AVAILABLE:

**FAB50LBL**  
Black, Left hand hinges

**FAB50LCR**  
Cream, Left hand hinges

**FAB50LCRB**  
Cream and brass finishing, Left hand hinges

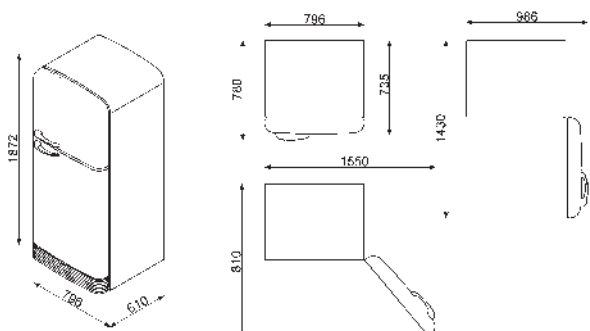
**FAB50LPB**  
Pastel blue, Left hand hinges

**FAB50LPG**  
Pastel green, Left hand hinges

**FAB50LRD**  
Red, Left hand hinges

**FAB50LSV**  
Silver, Left hand hinges

**FAB50LWH**  
White, Left hand hinges



**FAB50RWH**

REFRIGERATOR, DOUBLE DOOR, FREE  
STANDING, RIGHT HAND HINGE, WHITE,  
50'S STYLE



**FAB50RSV**

REFRIGERATOR, DOUBLE DOOR, FREE  
STANDING, RIGHT HAND HINGE, SILVER,  
50'S STYLE



**FAB50RPB**

REFRIGERATOR, DOUBLE DOOR, FREE  
STANDING, RIGHT HAND HINGE, PASTEL  
BLUE, 50'S STYLE



**FAB50RPG**

REFRIGERATOR, DOUBLE DOOR, FREE  
STANDING, RIGHT HAND HINGE, PASTEL  
GREEN, 50'S STYLE



**FAB50RRD**

REFRIGERATOR, DOUBLE DOOR, FREE  
STANDING, RIGHT HAND HINGE, RED, 50'S  
STYLE



**FAB50RCRB**

REFRIGERATOR, DOUBLE DOOR, FREE  
STANDING, RIGHT HAND HINGE, CREAM  
AND BRASS FINISHING, 50'S STYLE



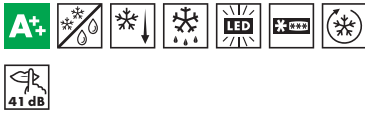
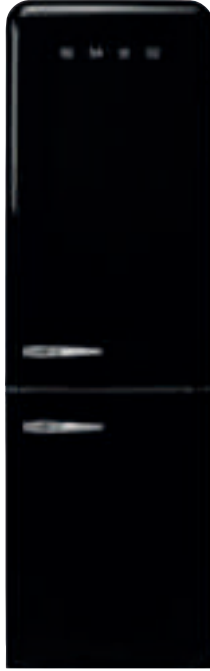
## FAB32RPN1

BOTTOM MOUNT REFRIGERATOR-FREEZER,  
FREE STANDING, RIGHT HAND HINGE,  
CREAM, 50'S STYLE



## FAB32RNN1

BOTTOM MOUNT REFRIGERATOR-FREEZER,  
FREE STANDING, RIGHT HAND HINGE,  
BLACK, 50'S STYLE



### REFRIGERATOR:

Fan assisted refrigerator, no frost freezer  
Storage volume fresh food compartment:  
228 litres  
Fan assisted cooling  
Interior light  
3 adjustable glass shelves  
Glass shelf to cover fruit and vegetable  
container  
Bottle shelf  
1 fruit and vegetables drawer

### INNERDOOR FRIDGE:

Adjustable balcony storage with metal supports  
Balcony storage with metal supports  
1 balcony shelf with transparent cover  
1 bottle balcony with metal wire

### FREEZER:

Storage volume frozen food compartment:  
76 litres  
2 drawers  
Fast freezing compartment  
1 compartment with pull-down flap

Fast freezing button

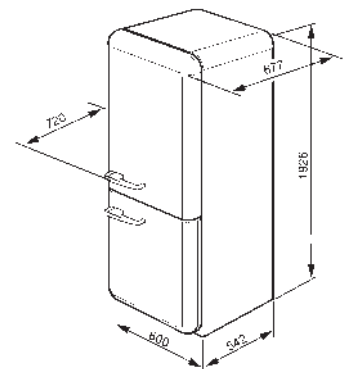
Annual energy consumption: 229 kWh  
Electrical connection rating: 100 W  
Climatic class: SN, T  
Freezing capacity: 10 Kg/h  
Thaw time: 18 hrs

Voltage: 220-240 V  
Current: 10 Amp  
Frequency: 50 Hz

Accessories: Egg holder

### ALSO AVAILABLE:

FAB32LBN1  
White, Left hand hinges  
FAB32LNEN1  
Black, Left hand hinges  
FAB32LON1  
Orange, Left hand hinges  
FAB32LPN1  
Cream, Left hand hinges  
FAB32LRN1  
Red, Left hand hinges  
FAB32LRON1  
Pink, Left hand hinges  
FAB32LVEN1  
Lime Green, Left hand hinges  
FAB32LVN1  
Pastel green, Left hand hinges  
FAB32LXN1  
Metal grey, Left hand hinges  
FAB32LBN1  
Blue, Left hand hinges  
FAB32LAZN1  
Pastel blue, Left hand hinges





**FAB32RON1**

BOTTOM MOUNT REFRIGERATOR-FREEZER,  
FREE STANDING, RIGHT HAND HINGE,  
ORANGE, 50'S STYLE



**FAB32RRN1**

BOTTOM MOUNT REFRIGERATOR-FREEZER,  
FREE STANDING, RIGHT HAND HINGE, RED,  
50'S STYLE



**FAB32RXN1**

BOTTOM MOUNT REFRIGERATOR-FREEZER,  
FREE STANDING, RIGHT HAND HINGE ,  
METAL GREY , 50'S STYLE



**FAB32RBN1**

BOTTOM MOUNT REFRIGERATOR-FREEZER,  
FREE STANDING, RIGHT HAND HINGE,  
WHITE, 50'S STYLE



**FAB32RAZN1**

BOTTOM MOUNT REFRIGERATOR-FREEZER,  
FREE STANDING, RIGHT HAND HINGE,  
PASTEL BLUE, 50'S STYLE



**FAB32RRON1**

BOTTOM MOUNT REFRIGERATOR-FREEZER,  
FREE STANDING, RIGHT HAND HINGE,  
PINK, 50'S STYLE



**FAB32RVN1**

BOTTOM MOUNT REFRIGERATOR-FREEZER,  
FREE STANDING, RIGHT HAND HINGE,  
PASTEL GREEN, 50'S STYLE



**FAB32RVEN1**

BOTTOM MOUNT REFRIGERATOR-FREEZER,  
FREE STANDING, RIGHT HAND HINGE, LIME  
GREEN, 50'S STYLE



**FAB32RBLN1**

BOTTOM MOUNT REFRIGERATOR-FREEZER,  
FREE STANDING, RIGHT HAND HINGE,  
BLUE, 50'S STYLE



## FAB30RP1

REFRIGERATOR, DOUBLE DOOR, FREE  
STANDING, RIGHT HAND HINGE, 50'S STYLE



## FAB30RNE1

REFRIGERATOR, DOUBLE DOOR, BLACK,  
RIGHT HAND HINGE, 50'S STYLE



### REFRIGERATOR:

Fan assisted cooling  
Storage volume fresh food compartment:  
229 litres  
Fan assisted cooling  
Interior light  
3 adjustable glass shelves  
Glass shelf to cover fruit and vegetable  
container  
Bottle shelf  
1 fruit and vegetables drawer

### INNERDOOR FRIDGE:

Adjustable balcony storage with metal supports  
Balcony storage with metal supports  
1 balcony shelf with transparent cover  
1 bottle balcony with metal wire

### FREEZER:

Storage volume frozen food compartment:  
64 litres

Fast freezing button

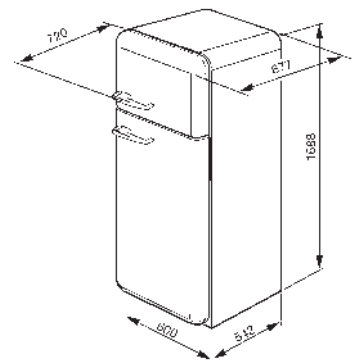
Annual energy consumption: 212 kWh  
Electrical connection rating: 100 W  
Climatic class: SN, T  
Freezing capacity: 3 Kg/h  
Thaw time: 15 hrs

Voltage: 220-240 V  
Current: 10 Amp  
Frequency: 50 Hz

Accessories: Egg holder

### ALSO AVAILABLE:

FAB30LB1  
White, Left hand hinges  
FAB30LBL1  
Blue, Left hand hinges  
FAB30LNE1  
Black, Left hand hinges  
FAB30LO1  
Orange, Left hand hinges  
FAB30LP1  
Cream, Left hand hinges  
FAB30LR1  
Red, Left hand hinges  
FAB30LRO1  
Pink, Left hand hinges  
FAB30LV1  
Pastel green, Left hand hinges  
FAB30LVE1  
Lime Green, Left hand hinges  
FAB30LX1  
Metal grey, Left hand hinges



**FAB30RO1**

REFRIGERATOR, DOUBLE DOOR, FREE STANDING, RIGHT HAND HINGE, 50'S STYLE



**FAB30RR1**

REFRIGERATOR, DOUBLE DOOR, FREE STANDING, RIGHT HAND HINGE, 50'S STYLE



**FAB30RX1**

REFRIGERATOR, DOUBLE DOOR, RIGHT HAND HINGE, METAL GREY, 50'S STYLE



**FAB30RB1**

REFRIGERATOR, DOUBLE DOOR, FREE STANDING, RIGHT HAND HINGE, WHITE, 50'S STYLE



**FAB30RAZ1**

REFRIGERATOR, DOUBLE DOOR, FREE STANDING, RIGHT HAND HINGE, PASTEL BLUE, 50'S STYLE



**FAB30RRO1**

REFRIGERATOR, DOUBLE DOOR, FREE STANDING, RIGHT HAND HINGE, 50'S STYLE



**FAB30RV1**

REFRIGERATOR, DOUBLE DOOR, FREE STANDING, RIGHT HAND HINGE, PASTEL GREEN, 50'S STYLE



**FAB30RVE1**

REFRIGERATOR, DOUBLE DOOR, FREE STANDING, RIGHT HAND HINGE, 50'S STYLE



**FAB30RBL1**

REFRIGERATOR, DOUBLE DOOR, FREE STANDING, RIGHT HAND HINGE, 50'S STYLE



## FAB28RDMC

SINGLE DOOR REFRIGERATOR, FREE STANDING, 50'S STYLE, MULTICOLOUR



## FAB28RCS1

SINGLE DOOR REFRIGERATOR, FREE STANDING, 50'S STYLE, COLOUR STRIPE



## FAB28RDG

SINGLE DOOR REFRIGERATOR, FREE STANDING, 50'S STYLE, GOLD WITH LOGO MADE WITH SWAROVSKI



### REFRIGERATOR:

Fan assisted cooling  
Storage volume fresh food compartment:  
222 litres  
Fan assisted cooling  
Interior light  
3 adjustable glass shelves  
Glass shelf to cover fruit and vegetable container  
Bottle shelf  
1 fruit and vegetables drawer

### INNERDOOR FRIDGE:

Adjustable balcony storage with metal supports  
Balcony storage with metal supports  
1 balcony shelf with transparent cover  
1 bottle balcony with metal wire

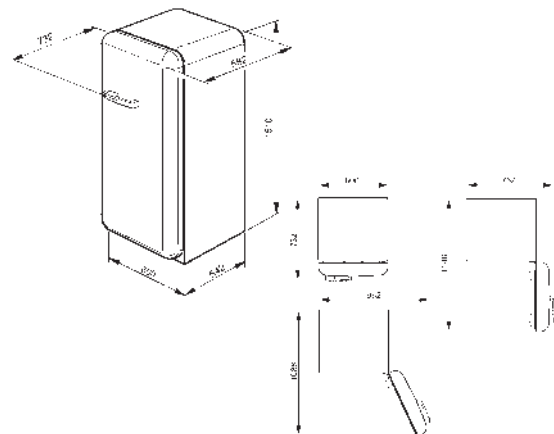
### FREEZER:

Storage volume frozen food compartment:  
26 litres  
Freezer compartment accessories : Ice tray

Annual energy consumption: 180 kWh  
Electrical connection rating: 90 W  
Climatic class: SN, T  
Freezing capacity: 2 Kg/h  
Thaw time: 12 hrs

Voltage: 220-240 V  
Current: 0.75 Amp  
Frequency: 50 Hz

Accessories: Bottle holder





## FAB28RIT1

SINGLE DOOR REFRIGERATOR, FREE STANDING, 50'S STYLE, ITALIAN FLAG



## FAB28RUJ1

SINGLE DOOR REFRIGERATOR, FREE STANDING, 50'S STYLE, UNION JACK



## FAB28RBV3

SINGLE DOOR REFRIGERATOR, FREE STANDING, 50'S STYLE, BLACK VELVET



### REFRIGERATOR:

Fan assisted cooling  
Storage volume fresh food compartment: 222 litres  
Fan assisted cooling  
Interior light  
3 adjustable glass shelves  
Glass shelf to cover fruit and vegetable container  
Bottle shelf  
1 fruit and vegetables drawer

### INNERDOOR FRIDGE:

Adjustable balcony storage with metal supports  
Balcony storage with metal supports  
1 balcony shelf with transparent cover  
1 bottle balcony with metal wire

### FREEZER:

Storage volume frozen food compartment: 26 litres  
Freezer compartment accessories : Ice tray

Annual energy consumption: 180 kWh  
Electrical connection rating: 90 W  
Climatic class: SN, T  
Freezing capacity: 2 Kg/h  
Thaw time: 12 hrs

Voltage: 220-240 V  
Current: 0.75 Amp  
Frequency: 50 Hz

### ALSO AVAILABLE:

**FAB28LAZ1**  
Pastel blue, Left hand hinges  
**FAB28LB1**  
White, Left hand hinges  
**FAB28LBL1**  
Blue, Left hand hinges

### FAB28LBV3

Black velvet , Left hand hinges

### FAB28LCG1

Chocolate, Left hand hinges

### FAB28LCS1

Colour stripe, Left hand hinges

### FAB28LG1

Yellow, Left hand hinges

### FAB28LIT1

Italian flag, Left hand hinges

### FAB28LINE1

Black, Left hand hinges

### FAB28LO1

Orange, Left hand hinges

### FAB28LP1

Cream, Left hand hinges

### FAB28LR1

Red, Left hand hinges

### FAB28LRO1

Pink, Left hand hinges

### FAB28LUJ1

Union Jack, Left hand hinges

### FAB28LV1

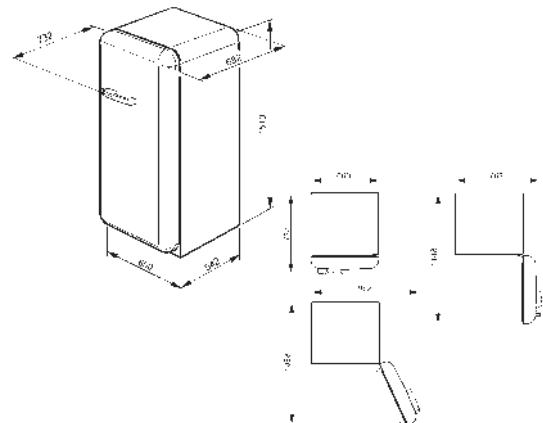
Pastel green, Left hand hinges

### FAB28LVE1

Lime Green, Left hand hinges

### FAB28LX1

Metal grey, Left hand hinges



## FAB28RDB

SINGLE DOOR REFRIGERATOR, FREE STANDING, 50'S STYLE, BLU DENIM



## FAB28RDBB

REFRIGERATOR, SINGLE DOOR REFRIGERATOR, FREE STANDING, 50'S STYLE, BLACKBOARD



## FAB28RCG1

REFRIGERATOR, SINGLE DOOR REFRIGERATOR, FREE STANDING, 50'S STYLE, CHOCOLATE



### REFRIGERATOR:

Fan assisted cooling  
Storage volume fresh food compartment:  
222 litres  
Fan assisted cooling  
Interior light  
3 adjustable glass shelves  
Glass shelf to cover fruit and vegetable container  
Bottle shelf  
1 fruit and vegetables drawer

### INNERDOOR FRIDGE:

Adjustable balcony storage with metal supports  
Balcony storage with metal supports  
1 balcony shelf with transparent cover  
1 bottle balcony with metal wire

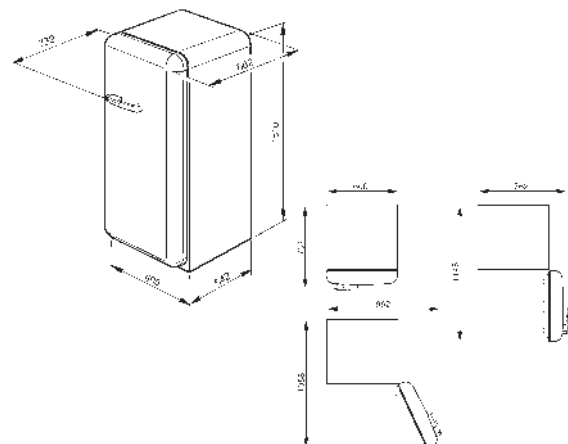
### FREEZER:

Storage volume frozen food compartment:  
26 litres  
Freezer compartment accessories : Ice tray

Annual energy consumption: 180 kWh  
Electrical connection rating: 90 W  
Climatic class: SN, T  
Freezing capacity: 2 Kg/h  
Thaw time: 12 hrs

Voltage: 220-240 V  
Current: 0.75 Amp  
Frequency: 50 Hz

Accessories: Bottle holder



**FAB28RO1**

SINGLE DOOR REFRIGERATOR, FREE STANDING, RIGHT HAND HINGE, ORANGE, 50'S STYLE



**FAB28RR1**

SINGLE DOOR REFRIGERATOR, FREE STANDING, RIGHT HAND HINGE, RED, 50'S STYLE



**FAB28RX1**

SINGLE DOOR REFRIGERATOR, FREE STANDING, RIGHT HAND HINGE, METAL GREY, 50'S STYLE



**FAB28RB1**

SINGLE DOOR REFRIGERATOR, FREE STANDING, RIGHT HAND HINGE, WHITE, 50'S STYLE



**FAB28RAZ1**

SINGLE DOOR REFRIGERATOR, FREE STANDING, RIGHT HAND HINGE, PASTEL BLUE, 50'S STYLE



**FAB28RRO1**

SINGLE DOOR REFRIGERATOR, FREE STANDING, RIGHT HAND HINGE, PINK, 50'S STYLE



**FAB28RV1**

SINGLE DOOR REFRIGERATOR, FREE STANDING, RIGHT HAND HINGE, PASTEL GREEN, 50'S STYLE



**FAB28RVE1**

SINGLE DOOR REFRIGERATOR, FREE STANDING, RIGHT HAND HINGE, LIME GREEN, 50'S STYLE



**FAB28RBL1**

SINGLE DOOR REFRIGERATOR, FREE STANDING, RIGHT HAND HINGE, BLUE, 50'S STYLE







## FAB10RO

SINGLE DOOR REFRIGERATOR, FREE  
STANDING, RIGHT HAND HINGE, ORANGE,  
50'S STYLE



### REFRIGERATOR:

Static  
Storage volume fresh food compartment:  
101 litres  
Interior light  
2 adjustable glass shelves  
Glass shelf to cover fruit and vegetable  
container  
1 fruit and vegetables drawer

### INNERDOOR FRIDGE:

1 balcony shelf with transparent cover  
1 bottle balcony

### FREEZER:

Storage volume frozen food compartment:  
13 litres  
Freezer compartment accessories : Ice tray

Annual energy consumption: 169 kWh  
Climatic class: SN  
Freezing capacity: 2 Kg/h  
Thaw time: 10 hrs

Voltage: 220-240 V  
Current: 0.22 Amp  
Frequency: 50 Hz

Accessories: Bottle holder, Egg holder

### ALSO AVAILABLE:

**FAB10LO**  
Orange, Left hand hinges

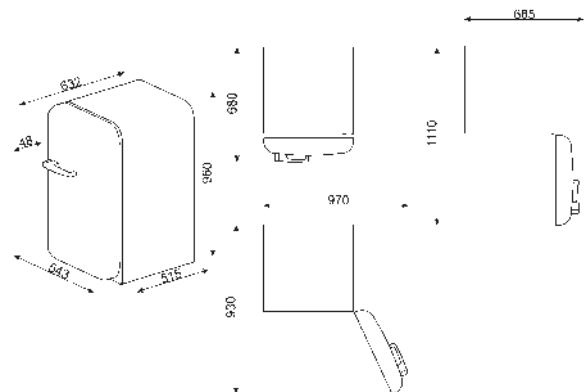
**FAB10LP**  
Cream, Left hand hinges

**FAB10LB**  
White, Left hand hinges

**FAB10LNE**  
Black, Left hand hinges

**FAB10LR**  
Red, Left hand hinges

**FAB10LUJ**  
Union Jack, Left hand hinges



**FAB10RB**

SINGLE DOOR REFRIGERATOR, FREE  
STANDING, RIGHT HAND HINGE, WHITE,  
50'S STYLE



**FAB10RNE**

SINGLE DOOR REFRIGERATOR, FREE  
STANDING, RIGHT HAND HINGE, BLACK,  
50'S STYLE



**FAB10RP**

SINGLE DOOR REFRIGERATOR, FREE  
STANDING, RIGHT HAND HINGE, CREAM,  
50'S STYLE



**FAB10RR**

SINGLE DOOR REFRIGERATOR, FREE  
STANDING, RIGHT HAND HINGE, RED, 50'S  
STYLE



**FAB10RUJ**

SINGLE DOOR REFRIGERATOR, FREE  
STANDING, 50'S STYLE, UNION JACK



## FAB 10HRIT

SINGLE DOOR REFRIGERATOR, FREE  
STANDING, RIGHT HAND HINGE,  
ITALIAN FLAG, 50'S STYLE



### REFRIGERATOR:

Static  
Storage volume fresh food compartment:  
130 litres  
Interior light  
2 adjustable glass shelves  
Bottle shelf

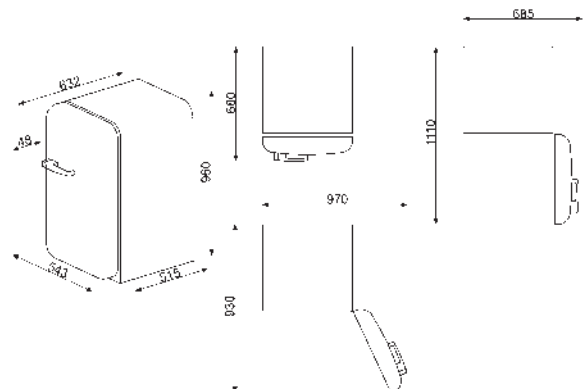
### INNERDOOR FRIDGE:

1 balcony shelf with transparent cover  
1 bottle balcony

Annual energy consumption: 116 kWh  
Climatic class: SN, T

Voltage: 220-240 V  
Current: 0.22 Amp  
Frequency: 50 Hz

Accessories: Bottle holder



**FAB10HRB**

SINGLE DOOR REFRIGERATOR, FREE  
STANDING, RIGHT HAND HINGE, WHITE,  
50'S STYLE



**FAB10HRNE**

SINGLE DOOR REFRIGERATOR, FREE  
STANDING, RIGHT HAND HINGE, BLACK,  
50'S STYLE



**FAB10HRP**

SINGLE DOOR REFRIGERATOR, FREE  
STANDING, 50'S STYLE, CREAM



**FAB10HRR**

SINGLE DOOR REFRIGERATOR, FREE  
STANDING, RIGHT HAND HINGE, RED, 50'S  
STYLE



## FAB5RCR

SINGLE DOOR REFRIGERATOR, FREE STANDING, RIGHT HAND HINGE, CREAM, 50'S STYLE



## FAB5RBL

SINGLE DOOR REFRIGERATOR, FREE STANDING, RIGHT HAND HINGE, BLACK, 50'S STYLE



### REFRIGERATOR:

Static  
Storage volume fresh food compartment:  
31 litres  
Interior light  
2 adjustable glass shelves

### INNERDOOR FRIDGE:

Adjustable balcony storage with metal supports  
Balcony storage with metal supports  
1 bottle balcony with metal wire

Annual energy consumption: 275 KWh  
Electrical connection rating: 60 W  
Climatic class: N

Voltage: 220-240 V  
Frequency: 50-60 Hz

### ALSO AVAILABLE:

FAB5LCR

Cream, Left hand hinges

FAB5LRD

Red, Left hand hinges

FAB5LBL

Black, Left hand hinges

FAB5LPB

Pastel blue, Left hand hinges

FAB5LPG

Pastel green, Left hand hinges

FAB5LPK

Pink, Left hand hinges

FAB5LSV

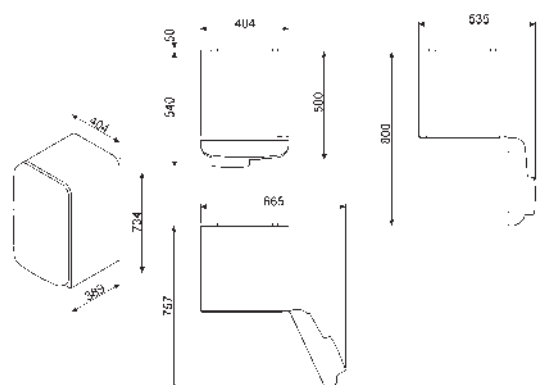
Silver, Left hand hinges

FAB5LUJ2

Union Jack, Left hand hinges

FAB5LWH

White, Left hand hinges



**FAB5ROR**

SINGLE DOOR REFRIGERATOR, FREE STANDING, RIGHT HAND HINGE, ORANGE, 50'S STYLE



**FAB5RRD**

SINGLE DOOR REFRIGERATOR, FREE STANDING, RIGHT HAND HINGE, RED, 50'S STYLE



**FAB5RSV**

SINGLE DOOR REFRIGERATOR, FREE STANDING, SILVER, 50'S STYLE



**FAB5RWH**

SINGLE DOOR REFRIGERATOR, FREE STANDING, RIGHT HAND HINGE, WHITE, 50'S STYLE



**FAB5RPK**

SINGLE DOOR REFRIGERATOR, FREE STANDING, RIGHT HAND HINGE, PINK, 50'S STYLE



**FAB5RPB**

SINGLE DOOR REFRIGERATOR, FREE STANDING, RIGHT HAND HINGE, PASTEL BLUE, 50'S STYLE



**FAB5RPG**

SINGLE DOOR REFRIGERATOR, FREE STANDING, RIGHT HAND HINGE, PASTEL GREEN, 50'S STYLE



**FAB5RGO**

SINGLE DOOR REFRIGERATOR, GOLD, FREE STANDING, GOLD, 50'S STYLE



**FAB5RUJ2**

SINGLE DOOR REFRIGERATOR, FREE STANDING, 50'S STYLE, UNION JACK



## RF396RSIX

BOTTOM MOUNT REFRIGERATOR-FREEZER,  
STAINLESS STEEL, FREE STANDING



### REFRIGERATOR:

Storage volume fresh food compartment:  
396 litres  
Multiflow  
Interior light  
Extra-fresh zone  
3 adjustable glass shelves  
Glass shelf to cover fruit and vegetable  
container  
1 fruit and vegetables drawer

### INNERDOOR FRIDGE:

Balcony storage with metal supports  
1 bottle balcony with metal wire

### FREEZER:

Storage volume frozen food compartment:  
104 litres  
LED lights  
Inside light  
2 drawers  
1 Ice tray  
Multizone

Annual energy consumption: 382 KWh  
Electrical connection rating: 367 W  
Climatic class: SN, T  
Freezing capacity: 18 Kg/h  
Thaw time: 15 hrs

Voltage: 220-240 V  
Current: 1.6 Amp  
Frequency: 50 Hz

### ALSO AVAILABLE:

RF396LSIX  
Stainless Steel, Left hand hinges

## RF376RSIX

BOTTOM MOUNT REFRIGERATOR-FREEZER,  
STAINLESS STEEL, FREE STANDING



### REFRIGERATOR:

Storage volume fresh food compartment:  
312 litres  
Multiflow  
Interior light  
Extra-fresh zone  
3 adjustable glass shelves  
Glass shelf to cover fruit and vegetable  
container  
1 fruit and vegetables drawer

### INNERDOOR FRIDGE:

Balcony storage with metal supports  
1 bottle balcony with metal wire

### FREEZER:

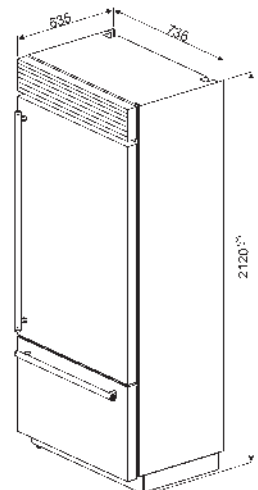
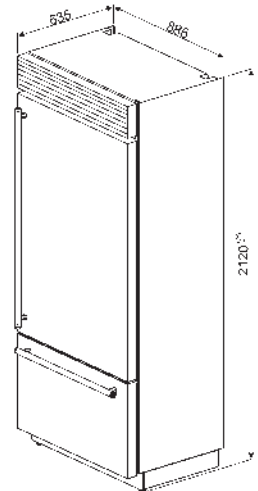
Storage volume frozen food compartment:  
81 litres  
LED lights  
Inside light  
2 drawers  
1 Ice tray  
Multizone

Annual energy consumption: 327 KWh  
Electrical connection rating: 240 W  
Climatic class: SN, T  
Freezing capacity: 15 Kg/h  
Thaw time: 12 hrs

Voltage: 220-240 V  
Current: 1.1 Amp  
Frequency: 50 Hz

### ALSO AVAILABLE:

RF376LSIX  
Stainless Steel, Left hand hinges







REFRIGERATION LUXURY COOL

RF396RSIX

## RI96RSI

BOTTOM MOUNT REFRIGERATOR-FREEZER,  
BUILT-IN, SILVER



### REFRIGERATOR:

Storage volume fresh food compartment:  
396 litres  
Multiflow  
Interior light  
Extra-fresh zone  
3 adjustable glass shelves  
Glass shelf to cover fruit and vegetable  
container  
1 fruit and vegetables drawer

### INNERDOOR FRIDGE:

Adjustable balcony storage with metal supports  
Balcony storage with metal supports  
1 bottle balcony with metal wire

### FREEZER:

Storage volume frozen food compartment:  
104 litres  
LED lights  
Inside light  
2 drawers  
1 Ice tray  
**Multizone**

Annual energy consumption: 382 KWh  
Electrical connection rating: 240 W  
Climatic class: SN, T  
Freezing capacity: 18 Kg/h  
Thaw time: 15 hrs

Voltage: 220-240 V  
Current: 16 Amp  
Frequency: 50 Hz

### ALSO AVAILABLE:

RI96LSI  
Silver, Left hand hinges

## RI76RSI

BOTTOM MOUNT REFRIGERATOR-FREEZER,  
BUILT-IN, SILVER



### REFRIGERATOR:

Storage volume fresh food compartment:  
312 litres  
Multiflow  
Interior light  
Extra-fresh zone  
3 adjustable glass shelves  
Glass shelf to cover fruit and vegetable  
container  
1 fruit and vegetables drawer

### INNERDOOR FRIDGE:

Adjustable balcony storage with metal supports  
Balcony storage with metal supports  
1 bottle balcony with metal wire

### FREEZER:

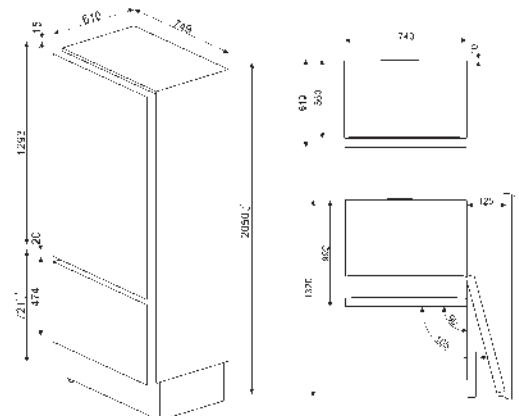
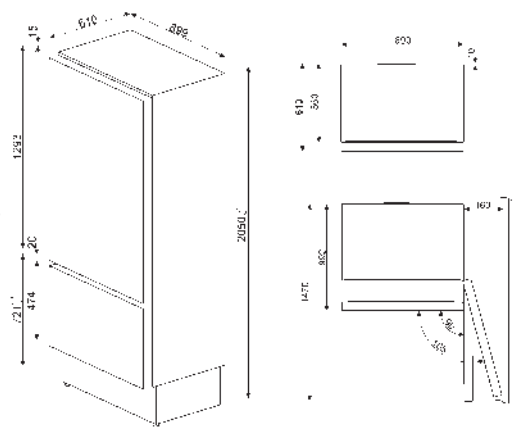
Storage volume frozen food compartment:  
81 litres  
LED lights  
Inside light  
2 drawers  
Glass shelves  
1 Ice tray  
**Multizone**

Annual energy consumption: 327 KWh  
Electrical connection rating: 240 W  
Climatic class: SN, T  
Freezing capacity: 15 Kg/h  
Thaw time: 12 hrs

Voltage: 220-240 V  
Current: 1.1 Amp  
Frequency: 50 Hz

### ALSO AVAILABLE:

RI76LSI  
Silver, Left hand hinges



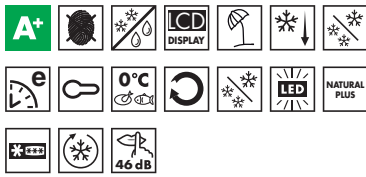


REFRIGERATION LUXURY COOL

RI96RSI

## FQ75XPED

REFRIGERATOR-FREEZER WITH 4 DOORS,  
STAINLESS STEEL, FREE STANDING



### REFRIGERATOR:

Storage volume fresh food compartment:  
435 litres  
Fan assisted cooling  
Multiflow  
Active fresh blue light  
Interior light  
Extra-fresh zone  
Glass shelf to cover fruit and vegetable  
container  
2 fruit and vegetables drawers

### INNERDOOR FRIDGE:

1 balcony shelf with transparent cover

### FREEZER:

Storage volume frozen food compartment:  
208 litres  
4 drawers  
Fast freezing compartment  
Glass shelves

Fast freezing button  
**Multizone**

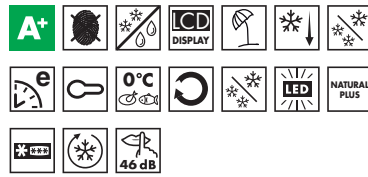
Annual energy consumption: 531 kWh  
Electrical connection rating: 200 W  
Climatic class: SN, N, ST, T  
Freezing capacity: 13 Kg/h  
Thaw time: 15 hrs

Voltage: 220-240 V  
Current: 0.95 Amp  
Frequency: 50 Hz

Accessories: Egg holder

## FQ60XPE

REFRIGERATOR-FREEZER WITH 4 DOORS,  
STAINLESS STEEL, FREE STANDING



### REFRIGERATOR:

Storage volume fresh food compartment:  
357 litres  
Fan assisted cooling  
Multiflow  
Active fresh blue light  
Interior light  
Extra-fresh zone  
Glass shelf to cover fruit and vegetable  
container  
Bottle shelf

### INNERDOOR FRIDGE:

Balcony storage with metal supports  
2 balcony shelves with transparent covers  
2 bottle balconies with metal wire

### FREEZER:

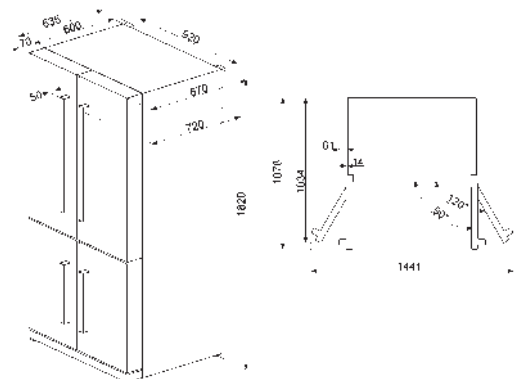
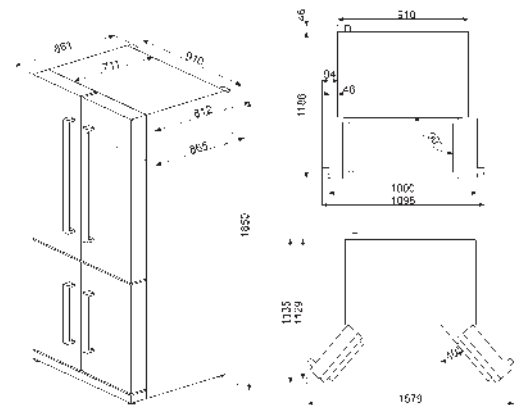
Storage volume frozen food compartment:  
157 litres  
5 drawers  
Fast freezing compartment  
Manual ice-maker

Fast freezing button  
**Multizone**

Annual energy consumption: 459 kWh  
Electrical connection rating: 200 W  
Climatic class: SN, N, ST, T  
Freezing capacity: 13 Kg/h  
Thaw time: 15 hrs

Voltage: 220-240 V  
Current: 0.95 Amp  
Frequency: 50 Hz

Accessories: Egg holder



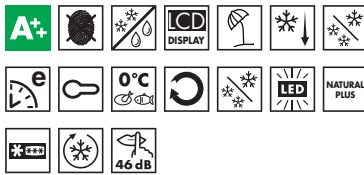


**REFRIGERATION** FREE STANDING

FQ75XPED

## FQ60X2PE

REFRIGERATOR-FREEZER WITH 4 DOORS,  
STAINLESS STEEL, FREE STANDING



### REFRIGERATOR:

Storage volume fresh food compartment:  
357 litres  
Fan assisted cooling  
Multiflow  
Active fresh blue light  
Interior light  
Extra-fresh zone  
Glass shelf to cover fruit and vegetable  
container

### INNERDOOR FRIDGE:

Balcony storage with metal supports  
2 balcony shelves with transparent covers  
2 bottle balconies with metal wire

### FREEZER:

Storage volume frozen food compartment:  
157 litres  
4 drawers  
Fast freezing compartment  
Glass shelves  
Manual ice-maker

Fast freezing button

### Multizone

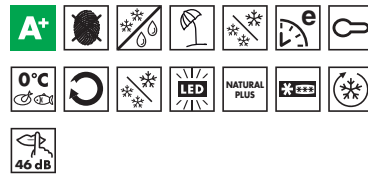
Annual energy consumption: 357 kWh  
Electrical connection rating: 145 W  
Climatic class: SN, N, ST, T  
Freezing capacity: 13 Kg/h  
Thaw time: 15 hrs

Voltage: 220-240 V  
Current: 0.63 Amp  
Frequency: 50 Hz

Accessories: Egg holder

## FQ60XP

REFRIGERATOR-FREEZER WITH 4 DOORS,  
STAINLESS STEEL, FREE STANDING



### REFRIGERATOR:

Storage volume fresh food compartment:  
357 litres  
Fan assisted cooling  
Multiflow  
Active fresh blue light  
Interior light  
Extra-fresh zone  
Glass shelf to cover fruit and vegetable  
container  
Bottle shelf

### INNERDOOR FRIDGE:

Balcony storage with metal supports  
2 balcony shelves with transparent covers  
2 bottle balconies with metal wire

### FREEZER:

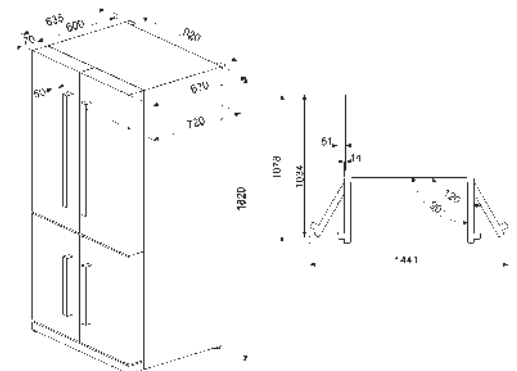
Storage volume frozen food compartment:  
157 litres  
5 drawers  
Glass shelves  
Manual ice-maker

### Multizone

Annual energy consumption: 459 kWh  
Electrical connection rating: 200 W  
Climatic class: SN, N, ST, T  
Freezing capacity: 13 Kg/h  
Thaw time: 15 hrs

Voltage: 220-240 V  
Current: 0.95 Amp  
Frequency: 50 Hz

Accessories: Egg holder





REFRIGERATION FREE STANDING

FQ60X2PE

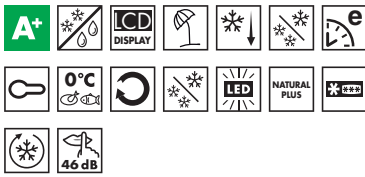
## FQ60NPE

REFRIGERATOR-FREEZER WITH 4 DOORS, FREE STANDING, RIGHT HAND HINGE, BLACK



## FQ60BPE

REFRIGERATOR-FREEZER WITH 4 DOORS, FREE STANDING, RIGHT HAND HINGE, WHITE



### REFRIGERATOR:

Storage volume fresh food compartment:  
357 litres  
Fan assisted cooling  
Multiflow  
Active fresh blue light  
Interior light  
Extra-fresh zone  
Glass shelf to cover fruit and vegetable container  
Bottle shelf

### INNERDOOR FRIDGE:

Balcony storage with metal supports  
2 balcony shelves with transparent covers  
2 bottle balconies with metal wire

### FREEZER:

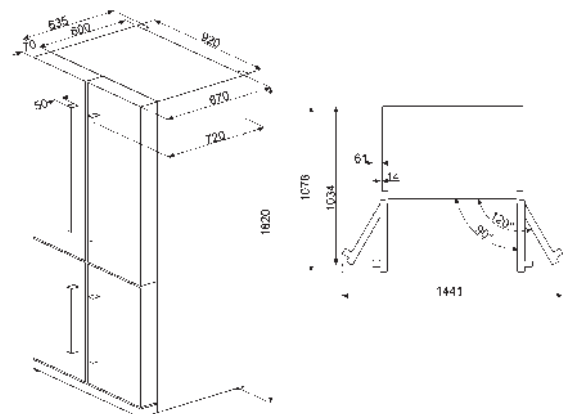
Storage volume frozen food compartment:  
157 litres  
5 drawers  
Fast freezing compartment  
Manual ice-maker

Fast freezing button  
**Multizone**

Annual energy consumption: 459 kWh  
Electrical connection rating: 200 W  
Climatic class: SN, N, ST, T  
Freezing capacity: 13 Kg/h  
Thaw time: 15 hrs

Voltage: 220-240 V  
Current: 0.95 Amp  
Frequency: 50 Hz

Accessories: Egg holder





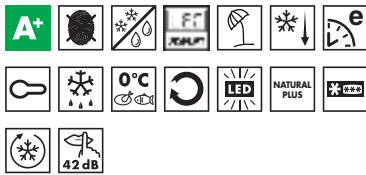


REFRIGERATION FREE STANDING

FQ60NPE

## FQ55FXE1

REFRIGERATOR-FREEZER WITH 2 DOORS & 2 DRAWERS, STAINLESS STEEL, FREE STANDING



### REFRIGERATOR:

Storage volume fresh food compartment: 387 litres  
 Fan assisted cooling  
 Multiflow  
 Active fresh blue light  
 Interior light  
 Extra-fresh zone  
 Glass shelf to cover fruit and vegetable container

### INNERDOOR FRIDGE:

Adjustable balcony storage with metal supports  
 Balcony storage with metal supports  
 2 balcony shelves with transparent covers  
 2 bottle balconies with metal wire

### FREEZER:

Storage volume frozen food compartment: 152 litres  
 2 drawers  
 Fast freezing compartment

Fast freezing button

Annual energy consumption: 456 KWh  
 Electrical connection rating: 160 W  
 Climatic class: SN, N, ST, T  
 Freezing capacity: 10 Kg/h  
 Thaw time: 22 hrs

Voltage: 220-240 V  
 Current: 0.9 Amp  
 Frequency: 50 Hz

Accessories: Egg holder

## FQ55FX1

REFRIGERATOR-FREEZER WITH 2 DOORS & 2 DRAWERS, STAINLESS STEEL, FREE STANDING



### REFRIGERATOR:

Storage volume fresh food compartment: 387 litres  
 Fan assisted cooling  
 Multiflow  
 Active fresh blue light  
 Interior light  
 Extra-fresh zone  
 Glass shelf to cover fruit and vegetable container

### INNERDOOR FRIDGE:

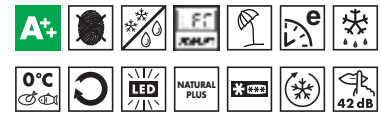
Balcony storage with metal supports  
 2 balcony shelves with transparent covers  
 2 bottle balconies with metal wire

### FREEZER:

Storage volume frozen food compartment: 152 litres  
 2 drawers  
 Annual energy consumption: 456 KWh  
 Electrical connection rating: 160 W  
 Climatic class: SN, N, ST, T  
 Freezing capacity: 10 Kg/h  
 Thaw time: 22 hrs  
 Voltage: 220-240 V  
 Current: 0.9 Amp  
 Frequency: 50 Hz  
 Accessories: Egg holder

## FQ55FX2PE

REFRIGERATOR-FREEZER WITH 2 DOORS & 2 DRAWERS, STAINLESS STEEL, FREE STANDING



### REFRIGERATOR:

Storage volume fresh food compartment: 387 litres  
 Fan assisted cooling  
 Multiflow  
 Active fresh blue light  
 Interior light  
 Extra-fresh zone with manual control  
 Glass shelf to cover fruit and vegetable container

### INNERDOOR FRIDGE:

Adjustable balcony storage with metal supports  
 Balcony storage with metal supports  
 2 balcony shelves with transparent covers  
 2 bottle balconies with metal wire

### FREEZER:

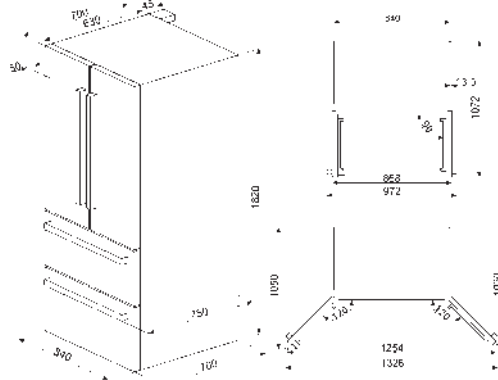
Storage volume frozen food compartment: 152 litres  
 2 drawers  
 Fast freezing compartment

Fast freezing button

Annual energy consumption: 358 KWh  
 Electrical connection rating: 160 W  
 Climatic class: SN, N, ST, T  
 Freezing capacity: 10 Kg/h  
 Thaw time: 22 hrs

Voltage: 230 V  
 Current: 0.9 Amp  
 Frequency: 50 Hz

Accessories: Egg holder



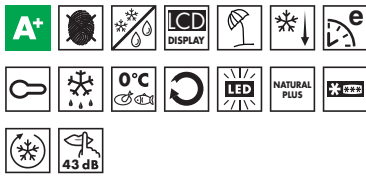


REFRIGERATION FREE STANDING

FQ55FXE1

## SBS63XEDH

SIDE-BY-SIDE REFRIGERATOR-FREEZER,  
STAINLESS STEEL, FREE STANDING



### REFRIGERATOR:

Storage volume fresh food compartment:  
368 litres  
Fan assisted cooling  
Multiflow  
Active fresh blue light  
Interior light  
Extra-fresh zone  
3 adjustable glass shelves  
Glass shelf to cover fruit and vegetable  
container  
2 fruit and vegetables drawers

### INNERDOOR FRIDGE:

Adjustable balcony storage with metal supports  
Balcony storage with metal supports  
2 bottle balconies with metal wire

### FREEZER:

Storage volume frozen food compartment:  
176 litres  
LED lights  
Inside light  
2 drawers  
Fast freezing compartment  
Glass shelves

Fast freezing button

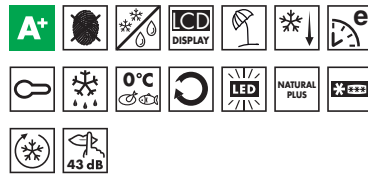
Annual energy consumption: 471 kWh  
Electrical connection rating: 165 W  
Climatic class: SN, N, ST, T  
Freezing capacity: 13 Kg/h  
Thaw time: 8 hrs

Voltage: 220-240 V  
Current: 0.75 Amp  
Frequency: 50 Hz

Accessories: Egg holder

## SBS63XE

SIDE-BY-SIDE REFRIGERATOR-FREEZER,  
STAINLESS STEEL, FREE STANDING



### REFRIGERATOR:

Storage volume fresh food compartment:  
368 litres  
Fan assisted cooling  
Multiflow  
Active fresh blue light  
Interior light  
Extra-fresh zone  
3 adjustable glass shelves  
Glass shelf to cover fruit and vegetable  
container

### INNERDOOR FRIDGE:

Adjustable balcony storage with metal supports  
Balcony storage with metal supports  
1 bottle balcony with metal wire

### FREEZER:

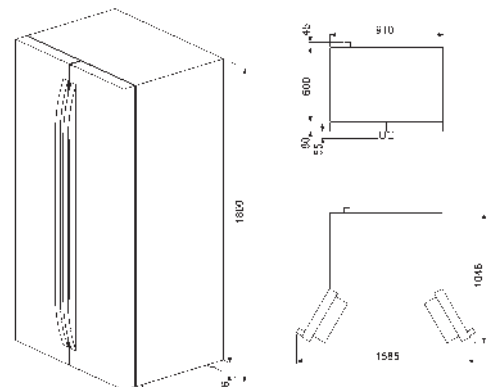
Storage volume frozen food compartment:  
190 litres  
LED lights  
Inside light  
2 drawers  
Fast freezing compartment  
Glass shelves

Fast freezing button

Annual energy consumption: 485 kWh  
Electrical connection rating: 165 W  
Climatic class: SN, N, ST, T  
Freezing capacity: 13 Kg/h  
Thaw time: 8 hrs

Voltage: 220-240 V  
Current: 0.75 Amp  
Frequency: 50 Hz

Accessories: Egg holder



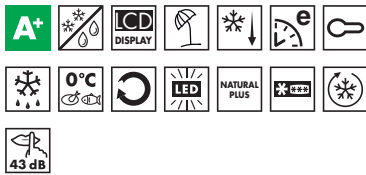
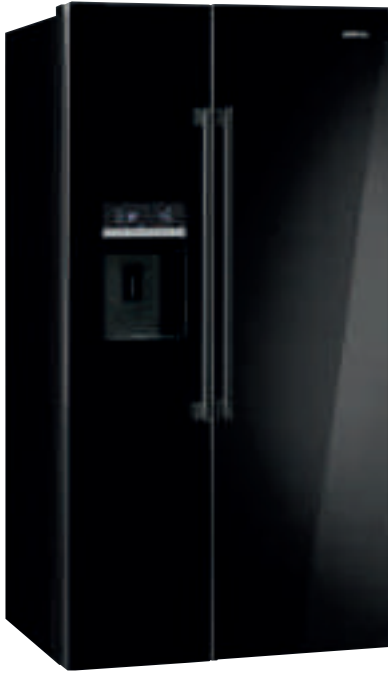


**REFRIGERATION** FREE STANDING

SBS63XEDH

## SBS63NED

SIDE-BY-SIDE REFRIGERATOR-FREEZER, FREE STANDING, RIGHT HAND HINGE, BLACK



### REFRIGERATOR:

Storage volume fresh food compartment:  
368 litres  
Fan assisted cooling  
Multiflow  
Active fresh blue light  
Interior light  
Extra-fresh zone  
3 adjustable glass shelves  
Glass shelf to cover fruit and vegetable container

### INNERDOOR FRIDGE:

Adjustable balcony storage with metal supports  
Balcony storage with metal supports  
1 bottle balcony with metal wire

### FREEZER:

Storage volume frozen food compartment:  
176 litres  
LED lights  
Inside light  
2 drawers  
Fast freezing compartment  
Glass shelves

Fast freezing button

Annual energy consumption: 471 KWh  
Electrical connection rating: 165 W  
Climatic class: SN, N, ST, T  
Freezing capacity: 13 Kg/h  
Thaw time: 8 hrs

Voltage: 220-240 V  
Current: 0.75 Amp  
Frequency: 50 Hz

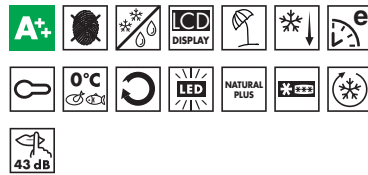
Accessories: Egg holder

### ALSO AVAILABLE:

SBS63XED  
Stainless steel

## SBS63X2PEDH

SIDE-BY-SIDE REFRIGERATOR-FREEZER, STAINLESS STEEL, FREE STANDING



### REFRIGERATOR:

Storage volume fresh food compartment:  
368 litres  
Fan assisted cooling  
Multiflow  
Active fresh blue light  
Interior light  
Extra-fresh zone  
3 adjustable glass shelves  
Glass shelf to cover fruit and vegetable container  
2 fruit and vegetables drawers

### INNERDOOR FRIDGE:

Adjustable balcony storage with metal supports  
Balcony storage with metal supports  
2 bottle balconies with metal wire

### FREEZER:

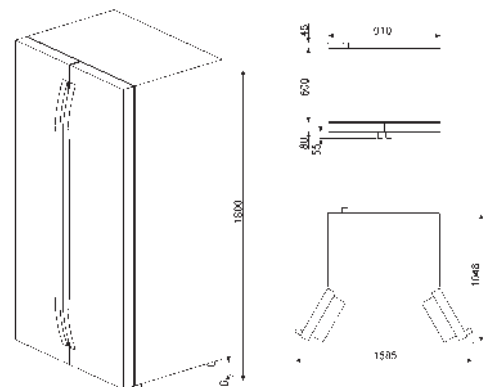
Storage volume frozen food compartment:  
176 litres  
LED lights  
Inside light  
2 drawers  
Fast freezing compartment  
Glass shelves

Fast freezing button

Annual energy consumption: 370 KWh  
Electrical connection rating: 150 W  
Climatic class: SN, N, ST, T  
Freezing capacity: 13 Kg/h  
Thaw time: 9 hrs

Voltage: 220-240 V  
Current: 0.85 Amp  
Frequency: 50 Hz

Accessories: Egg holder





**REFRIGERATION** FREE STANDING

SBS63NED

## FA63XBI

SIDE-BY-SIDE REFRIGERATOR-FREEZER,  
STAINLESS STEEL, FREE STANDING, STAINLESS  
STEEL, CLASSICA



### REFRIGERATOR:

Storage volume fresh food compartment:  
357 litres  
Fan assisted cooling  
Multiflow  
Active fresh blue light  
Interior light  
Extra-fresh zone  
3 adjustable glass shelves  
Glass shelf to cover fruit and vegetable  
container  
2 fruit and vegetables drawers

### INNERDOOR FRIDGE:

Adjustable balcony storage with metal supports  
Balcony storage with metal supports  
1 bottle balcony with metal wire

### FREEZER:

Storage volume frozen food compartment:  
155 litres  
LED lights  
Inside light  
2 drawers  
Fast freezing compartment  
Glass shelves

Fast freezing button

Annual energy consumption: 451 kWh  
Electrical connection rating: 150 W  
Climatic class: SN, T  
Freezing capacity: 13 Kg/h  
Thaw time: 8 hrs

Voltage: 220-240 V  
Current: 0.85 Amp  
Frequency: 50 Hz

Accessories: Egg holder

## FA63X

SIDE-BY-SIDE REFRIGERATOR-FREEZER,  
STAINLESS STEEL, FREE STANDING, STAINLESS  
STEEL, CLASSICA



### REFRIGERATOR:

Fan assisted refrigerator, no frost freezer  
Storage volume fresh food compartment:  
357 litres  
Fan assisted cooling  
Multiflow  
Active fresh blue light  
Interior light  
Extra-fresh zone  
3 adjustable glass shelves  
Glass shelf to cover fruit and vegetable  
container  
2 fruit and vegetables drawers

### INNERDOOR FRIDGE:

Adjustable balcony storage with metal supports  
Balcony storage with metal supports  
1 bottle balcony with metal wire

### FREEZER:

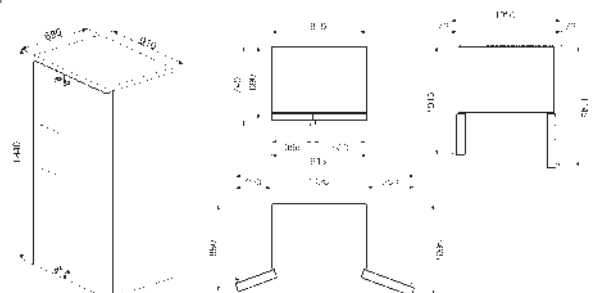
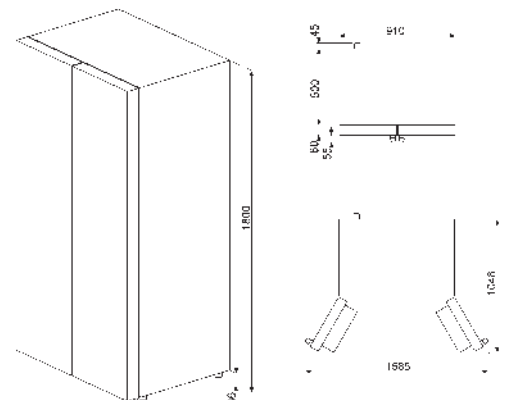
Storage volume frozen food compartment:  
155 litres  
LED lights  
Inside light  
2 drawers  
Fast freezing compartment  
Glass shelves

Fast freezing button

Annual energy consumption: 451 kWh  
Electrical connection rating: 150 W  
Climatic class: SN, T  
Freezing capacity: 13 Kg/h  
Thaw time: 8 hrs

Voltage: 220-240 V  
Current: 0.85 Amp  
Frequency: 50 Hz

Accessories: Egg holder







**REFRIGERATION** FREE STANDING

FA63XB1

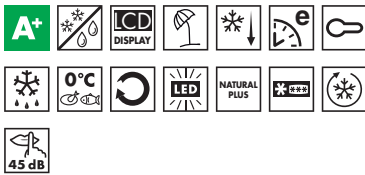
## SBS963N

SIDE-BY-SIDE REFRIGERATOR-FREEZER, BLACK, RIGHT HAND HINGE, GLOSSY BLACK, VICTORIA



## SBS963P

SIDE-BY-SIDE REFRIGERATOR-FREEZER, FREE STANDING, RIGHT HAND HINGE, CREAM, VICTORIA



### REFRIGERATOR:

Storage volume fresh food compartment:  
357 litres  
Fan assisted cooling  
Multiflow  
Active fresh blue light  
Interior light  
Extra-fresh zone  
3 adjustable glass shelves  
Glass shelf to cover fruit and vegetable container  
2 fruit and vegetables drawers

### INNERDOOR FRIDGE:

Adjustable balcony storage with metal supports  
Balcony storage with metal supports  
1 bottle balcony with metal wire

### FREEZER:

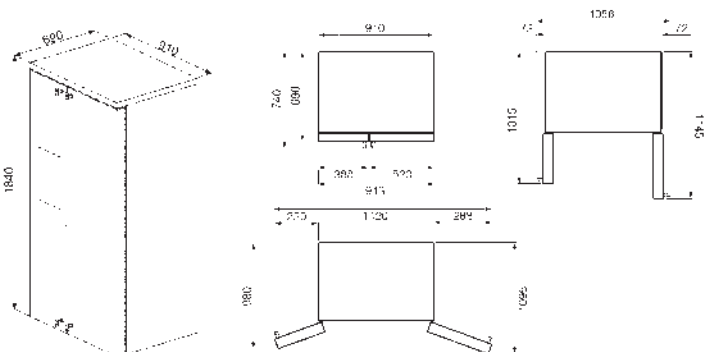
Storage volume frozen food compartment:  
155 litres  
LED lights  
Inside light  
2 drawers  
Fast freezing compartment  
Glass shelves

Fast freezing button

Annual energy consumption: 451 kWh  
Electrical connection rating: 165 W  
Climatic class: SN, T  
Freezing capacity: 13 Kg/h  
Thaw time: 8 hrs

Voltage: 220-240 V  
Current: 0.75 Amp  
Frequency: 50 Hz

Accessories: Egg holder





## FQ960N

REFRIGERATOR-FREEZER WITH 4 DOORS, BLACK, RIGHT HAND HINGE, GLOSSY BLACK, VICTORIA



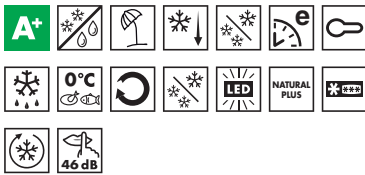
## FQ960P

REFRIGERATOR-FREEZER WITH 4 DOORS, FREE STANDING, RIGHT HAND HINGE, CREAM, VICTORIA



## FQ960PB

REFRIGERATOR-FREEZER WITH 4 DOORS, FREE STANDING, RIGHT HAND HINGE, PASTEL BLUE, VICTORIA



### REFRIGERATOR:

Storage volume fresh food compartment:  
357 litres  
Fan assisted cooling  
Multiflow  
Active fresh blue light  
Interior light  
Extra-fresh zone  
Glass shelf to cover fruit and vegetable container  
Bottle shelf

### INNERDOOR FRIDGE:

Balcony storage with metal supports  
2 balcony shelves with transparent covers  
2 bottle balconies with metal wire

### FREEZER:

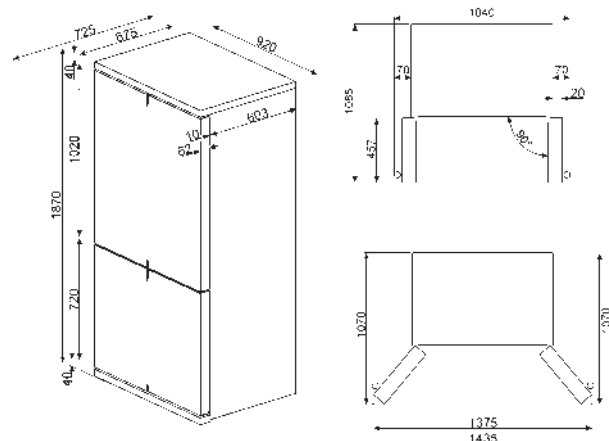
Storage volume frozen food compartment:  
157 litres  
5 drawers  
Fast freezing compartment  
Manual ice-maker

Fast freezing button  
Multizone

Annual energy consumption: 459 kWh  
Electrical connection rating: 190 W  
Climatic class: SN, T  
Freezing capacity: 13 Kg/h  
Thaw time: 15 hrs

Voltage: 220-240 V  
Current: 0.95 Amp  
Frequency: 50 Hz

Accessories: Egg holder



## SBS8004AO

SIDE-BY-SIDE REFRIGERATOR-FREEZER, ANTHRACITE, FREE STANDING, ANTHRACITE, COLONIALE



## SBS8004P

SIDE-BY-SIDE REFRIGERATOR-FREEZER, FREE STANDING, RIGHT HAND HINGE, CREAM, COLONIALE



## SBS8004PO

SIDE-BY-SIDE REFRIGERATOR-FREEZER, FREE STANDING, RIGHT HAND HINGE, CREAM, COLONIALE



### REFRIGERATOR:

Storage volume fresh food compartment:  
357 litres  
Fan assisted cooling  
Multiflow  
Active fresh blue light  
Interior light  
Extra-fresh zone  
3 adjustable glass shelves  
Glass shelf to cover fruit and vegetable container  
2 fruit and vegetables drawers

### INNERDOOR FRIDGE:

Adjustable balcony storage with metal supports  
Balcony storage with metal supports  
1 bottle balcony with metal wire

### FREEZER:

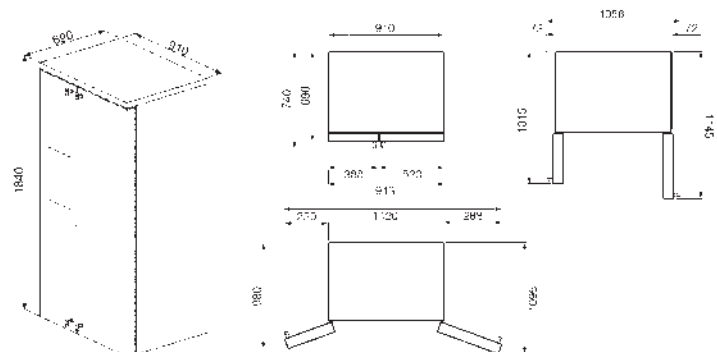
Storage volume frozen food compartment:  
155 litres  
LED lights  
Inside light  
2 drawers  
Fast freezing compartment  
Glass shelves

Fast freezing button

Annual energy consumption: 451 kWh  
Electrical connection rating: 165 W  
Climatic class: SN, T  
Freezing capacity: 13 Kg/h  
Thaw time: 8 hrs

Voltage: 220-240 V  
Current: 0.75 Amp  
Frequency: 50 Hz

Accessories: Egg holder



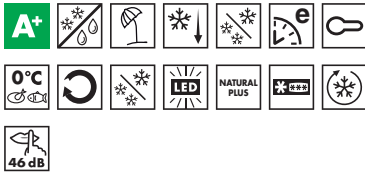
## FQ60CAO

REFRIGERATOR-FREEZER WITH 4 DOORS,  
ANTHRACITE, FREE STANDING, ANTHRACITE,  
COLONIALE



## FQ60CPO

REFRIGERATOR-FREEZER WITH 4 DOORS, FREE  
STANDING, RIGHT HAND HINGE, CREAM,  
COLONIALE



### REFRIGERATOR:

Storage volume fresh food compartment:  
357 litres  
Fan assisted cooling  
Multiflow  
Active fresh blue light  
Interior light  
Extra-fresh zone  
Glass shelf to cover fruit and vegetable  
container  
Bottle shelf

### INNERDOOR FRIDGE:

Balcony storage with metal supports  
2 balcony shelves with transparent covers  
2 bottle balconies with metal wire

### FREEZER:

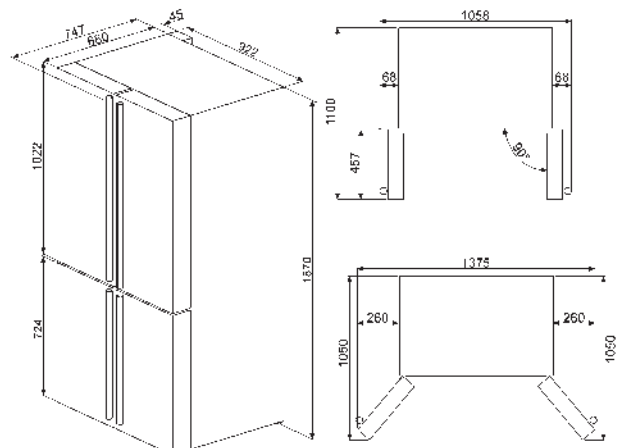
Storage volume frozen food compartment:  
157 litres  
5 drawers  
Fast freezing compartment  
Manual ice-maker

Fast freezing button  
**Multizone**

Annual energy consumption: 459 kWh  
Electrical connection rating: 190 W  
Climatic class: SN, T  
Freezing capacity: 13 Kg/h  
Thaw time: 15 hrs

Voltage: 220-240 V  
Current: 0.95 Amp  
Frequency: 50 Hz

Accessories: Egg holder





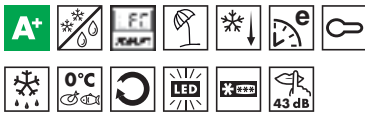
## FD541MNED4

REFRIGERATOR, DOUBLE DOOR, MARBLE EFFECT, FREE STANDING, MARBLE EFFECT



## FD54PXNE4

REFRIGERATOR, DOUBLE DOOR, STAINLESS STEEL, FREE STANDING, STAINLESS STEEL



### REFRIGERATOR:

Storage volume fresh food compartment:  
394 litres  
Multiflow  
Interior light  
Extra-fresh zone with manual control  
3 adjustable glass shelves  
Glass shelf to cover fruit and vegetable container  
2 fruit and vegetables drawers

### INNERDOOR FRIDGE:

1 bottle balcony

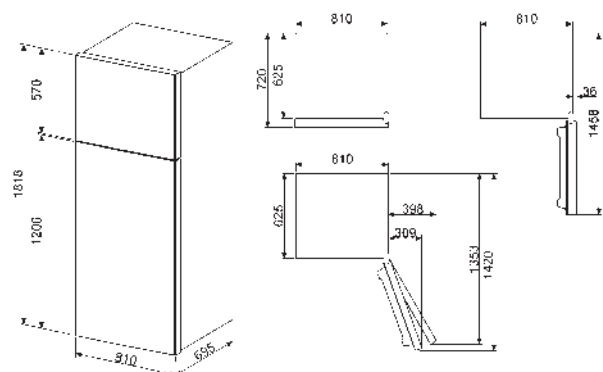
### FREEZER:

Storage volume frozen food compartment:  
104 litres  
LED lights  
Inside light  
Fast freezing compartment  
1 compartment with pull-down flap  
Manual ice-maker

Annual energy consumption: 409 kWh  
Electrical connection rating: 266 W  
Climatic class: N, T  
Freezing capacity: 6 Kg/h  
Thaw time: 12 hrs

Voltage: 220-240 V  
Current: 1.29 Amp  
Frequency: 50 Hz

Accessories: Egg holder







REFRIGERATION FREE STANDING

FD541MNED4

## FD48PXNF4

REFRIGERATOR, DOUBLE DOOR, STAINLESS STEEL, FREE STANDING, STAINLESS STEEL



## FD481MN4

REFRIGERATOR, DOUBLE DOOR, MARBLE EFFECT, FREE STANDING, MARBLE EFFECT



### REFRIGERATOR:

Storage volume fresh food compartment:  
362 litres  
Multiflow  
Interior light  
Extra-fresh zone with manual control  
3 adjustable glass shelves  
Glass shelf to cover fruit and vegetable container  
2 fruit and vegetables drawers

### INNERDOOR FRIDGE:

1 bottle balcony

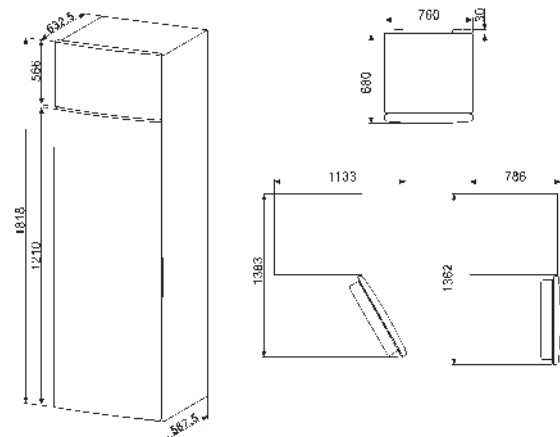
### FREEZER:

Storage volume frozen food compartment:  
95 litres  
LED lights  
Inside light  
Fast freezing compartment  
1 compartment with pull-down flap  
Manual ice-maker

Annual energy consumption: 388 kWh  
Electrical connection rating: 228 W  
Climatic class: N, T  
Freezing capacity: 5 Kg/h  
Thaw time: 10 hrs

Voltage: 220-240 V  
Current: 1.37 Amp  
Frequency: 50 Hz

Accessories: Egg holder



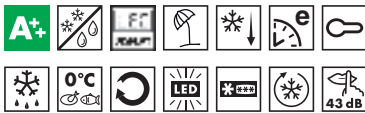


**REFRIGERATION** FREE STANDING

FD48PXNF4

## FD432PMNFE4

REFRIGERATOR, DOUBLE DOOR, MARBLE EFFECT, FREE STANDING



### REFRIGERATOR:

Storage volume fresh food compartment: 335 litres  
 Fan assisted cooling  
 Multiflow  
 Interior light  
 Extra-fresh zone with manual control  
 2 adjustable glass shelves  
 Glass shelf to cover fruit and vegetable container  
 2 fruit and vegetables drawers

### INNERDOOR FRIDGE:

1 bottle balcony

### FREEZER:

Storage volume frozen food compartment: 97 litres  
 LED lights  
 Inside light  
 Glass shelves  
 Manual ice-maker

Annual energy consumption: 298 KWh  
 Electrical connection rating: 192 W  
 Climatic class: SN, T  
 Freezing capacity: 5 Kg/h  
 Thaw time: 16 hrs

Voltage: 220-240 V  
 Current: 0.86 Amp  
 Frequency: 50 Hz

Accessories: Cheese box, Egg holder

## FD432PXNFE4

REFRIGERATOR, DOUBLE DOOR, STAINLESS STEEL, FREE STANDING



### REFRIGERATOR:

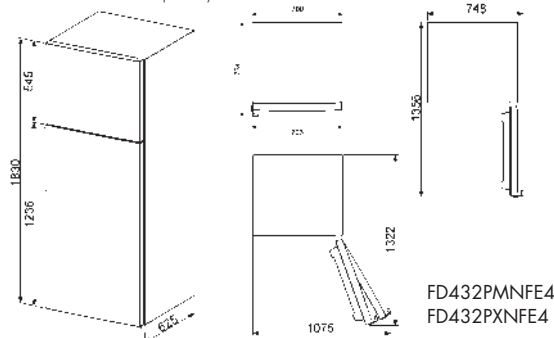
Storage volume fresh food compartment: 335 litres  
 Fan assisted cooling  
 Multiflow  
 Interior light  
 Extra-fresh zone with manual control  
 2 adjustable glass shelves  
 Glass shelf to cover fruit and vegetable container  
 2 fruit and vegetables drawers

### FREEZER:

Storage volume frozen food compartment: 97 litres  
 LED lights  
 Inside light  
 Glass shelves  
 Manual ice-maker

Annual energy consumption: 298 KWh  
 Electrical connection rating: 192 W  
 Climatic class: SN, T  
 Freezing capacity: 5 Kg/h  
 Thaw time: 16 hrs

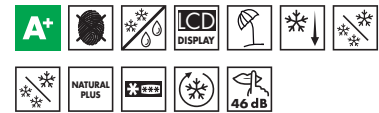
Voltage: 220-240 V  
 Current: 0.86 Amp  
 Frequency: 50 Hz



FD432PMNFE4  
 FD432PXNFE4

## FT41BXE

REFRIGERATOR-FREEZER WITH 2 DOORS & 2 DRAWERS, STAINLESS STEEL, FREE STANDING



### REFRIGERATOR:

Storage volume fresh food compartment: 268 litres  
 Fan assisted cooling  
 Active fresh blue light  
 Glass shelf to cover fruit and vegetable container  
 Bottle shelf

### INNERDOOR FRIDGE:

1 bottle balcony

### FREEZER:

Storage volume frozen food compartment: 150 litres  
 3 drawers  
 Fast freezing compartment

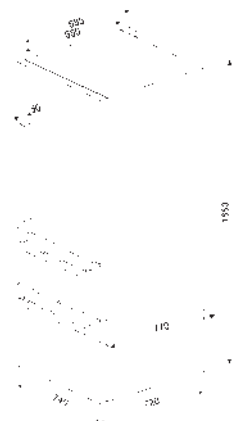
Fast freezing button

### Multizone

Annual energy consumption: 448 KWh  
 Electrical connection rating: 250 W  
 Climatic class: SN, N, ST, T  
 Freezing capacity: 7 Kg/h  
 Thaw time: 20 hrs

Voltage: 220-240 V  
 Current: 1 Amp  
 Frequency: 50 Hz

Accessories: Egg holder



## FD43PMNF4

REFRIGERATOR, DOUBLE DOOR, MARBLE EFFECT, FREE STANDING



## FD43PSNF4

REFRIGERATOR, DOUBLE DOOR, FREE STANDING, SILVER



## FD43PXNF4

REFRIGERATOR, DOUBLE DOOR, STAINLESS STEEL, FREE STANDING



### REFRIGERATOR:

Storage volume fresh food compartment:  
335 litres  
Fan assisted cooling  
Multiflow  
Interior light  
Extra-fresh zone with manual control  
2 adjustable glass shelves  
Glass shelf to cover fruit and vegetable container  
2 fruit and vegetables drawers

### INNERDOOR FRIDGE:

1 bottle balcony

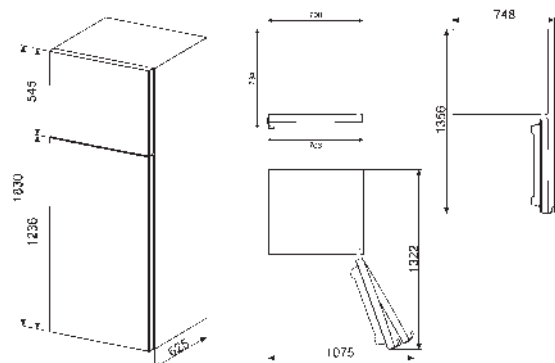
### FREEZER:

Storage volume frozen food compartment:  
97 litres  
Glass shelves  
Manual ice-maker

Annual energy consumption: 379 kWh  
Electrical connection rating: 192 W  
Climatic class: SN, T  
Freezing capacity: 5 Kg/h  
Thaw time: 16 hrs

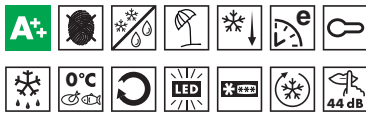
Voltage: 220-240 V  
Current: 0.86 Amp  
Frequency: 50 Hz

Accessories: Cheese box, Egg holder



## FC450X2PE

BOTTOM MOUNT REFRIGERATOR-FREEZER,  
STAINLESS STEEL, FREE STANDING



### REFRIGERATOR:

Storage volume fresh food compartment:  
310 litres  
Fan assisted cooling  
Multiflow  
Interior light  
Extra-fresh zone  
2 adjustable glass shelves  
Glass shelf to cover fruit and vegetable  
container  
Bottle shelf  
1 fruit and vegetables drawer

### INNERDOOR FRIDGE:

1 bottle balcony

### FREEZER:

Storage volume frozen food compartment:  
124 litres  
3 drawers  
Fast freezing compartment

Fast freezing button

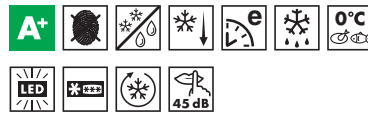
Annual energy consumption: 317 kWh  
Electrical connection rating: 160 W  
Climatic class: SN, T  
Freezing capacity: 6 Kg/h  
Thaw time: 33 hrs

Voltage: 220-240 V  
Current: 0.45 Amp  
Frequency: 50 Hz

Accessories: Egg holder

## FC40PXNF4

BOTTOM MOUNT REFRIGERATOR-FREEZER,  
STAINLESS STEEL, FREE STANDING



### REFRIGERATOR:

Storage volume fresh food compartment:  
229 litres  
Fan assisted cooling  
Interior light  
Extra-fresh zone with manual control  
3 adjustable glass shelves  
Glass shelf to cover fruit and vegetable  
container  
2 fruit and vegetables drawers

### INNERDOOR FRIDGE:

1 bottle balcony

### FREEZER:

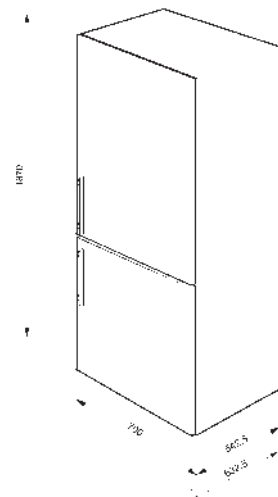
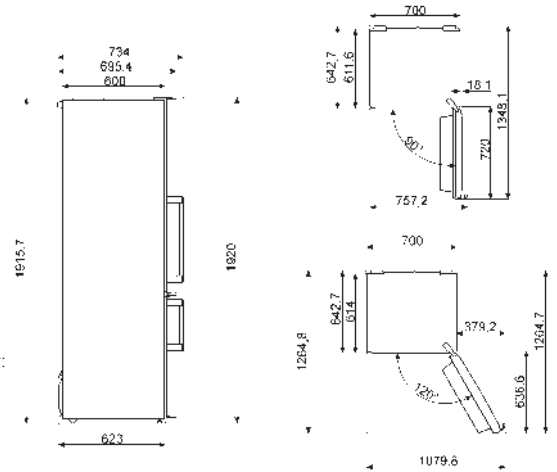
Storage volume frozen food compartment:  
97 litres  
2 drawers  
1 compartment with pull-down flap

Fast freezing button

Annual energy consumption: 350 kWh  
Electrical connection rating: 199 W  
Climatic class: SN, T  
Freezing capacity: 12 Kg/h  
Thaw time: 8 hrs

Voltage: 230 V  
Current: 1.4 Amp  
Frequency: 50 Hz

Accessories: Egg holder



FREE STANDING REFRIGERATION

## FA390X4

BOTTOM MOUNT REFRIGERATOR-FREEZER,  
STAINLESS STEEL, FREE STANDING, CLASSICA



### REFRIGERATOR:

Fan assisted refrigerator, no frost freezer  
Storage volume fresh food compartment:  
264 litres  
Fan assisted cooling  
Multiflow  
Interior light  
Extra-fresh zone with manual control  
2 adjustable glass shelves  
Glass shelf to cover fruit and vegetable  
container  
Bottle shelf

### INNERDOOR FRIDGE:

2 balcony shelves with transparent covers  
1 bottle balcony

### FREEZER:

Storage volume frozen food compartment:  
92 litres  
3 drawers

Fast freezing button

Annual energy consumption: 325 KWh  
Electrical connection rating: 280 W  
Climatic class: SN, T  
Freezing capacity: 18 Kg/h  
Thaw time: 16 hrs

Voltage: 220-240 V  
Current: 1.6 Amp  
Frequency: 50 Hz

Accessories: Cheese box, Egg holder

## FA390XS4

BOTTOM MOUNT REFRIGERATOR-FREEZER,  
STAINLESS STEEL, FREE STANDING, CLASSICA



### REFRIGERATOR:

Storage volume fresh food compartment:  
264 litres  
Fan assisted cooling  
Interior light  
Extra-fresh zone with manual control  
2 adjustable glass shelves  
Glass shelf to cover fruit and vegetable  
container  
Bottle shelf

### INNERDOOR FRIDGE:

2 balcony shelves with transparent covers  
1 bottle balcony

### FREEZER:

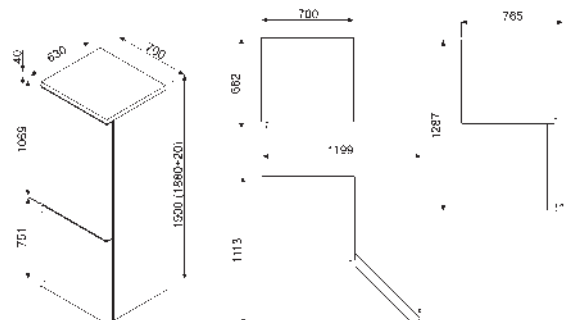
Storage volume frozen food compartment:  
92 litres  
3 drawers

Fast freezing button

Annual energy consumption: 325 KWh  
Electrical connection rating: 280 W  
Climatic class: SN, T  
Freezing capacity: 18 Kg/h  
Thaw time: 16 hrs

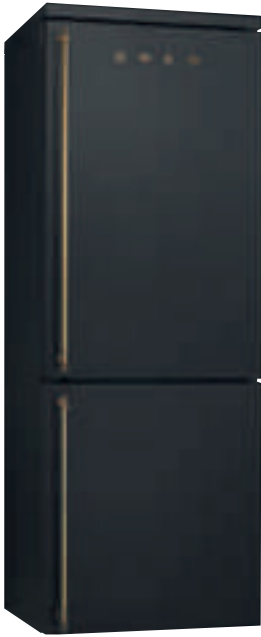
Voltage: 220-240 V  
Current: 1.6 Amp  
Frequency: 50 Hz

Accessories: Cheese box, Egg holder



## FA8003AO

BOTTOM MOUNT REFRIGERATOR-FREEZER, ANTHRACITE, FREE STANDING, ANTHRACITE, COLONIALE



## FA8003PO

BOTTOM MOUNT REFRIGERATOR-FREEZER, FREE STANDING, RIGHT HAND HINGE, CREAM, ANTIQUE BRASS HANDLE, COLONIALE



## FA8003P

BOTTOM MOUNT REFRIGERATOR-FREEZER, FREE STANDING, RIGHT HAND HINGE, CREAM, GOLD HANDLE, COLONIALE



### REFRIGERATOR:

Storage volume fresh food compartment: 264 litres  
 Fan assisted cooling  
 Interior light  
 Extra-fresh zone with manual control  
 2 adjustable glass shelves  
 Glass shelf to cover fruit and vegetable container  
 Bottle shelf

### INNERDOOR FRIDGE:

2 balcony shelves with transparent covers  
 1 bottle balcony

### FREEZER:

Storage volume frozen food compartment: 92 litres  
 3 drawers

Fast freezing button

Annual energy consumption: 325 kWh  
 Electrical connection rating: 280 W  
 Climatic class: SN, T  
 Freezing capacity: 18 Kg/h  
 Thaw time: 16 hrs

Voltage: 220-240 V  
 Current: 1.6 Amp  
 Frequency: 50 Hz

Accessories: Cheese box, Egg holder

### ALSO AVAILABLE:

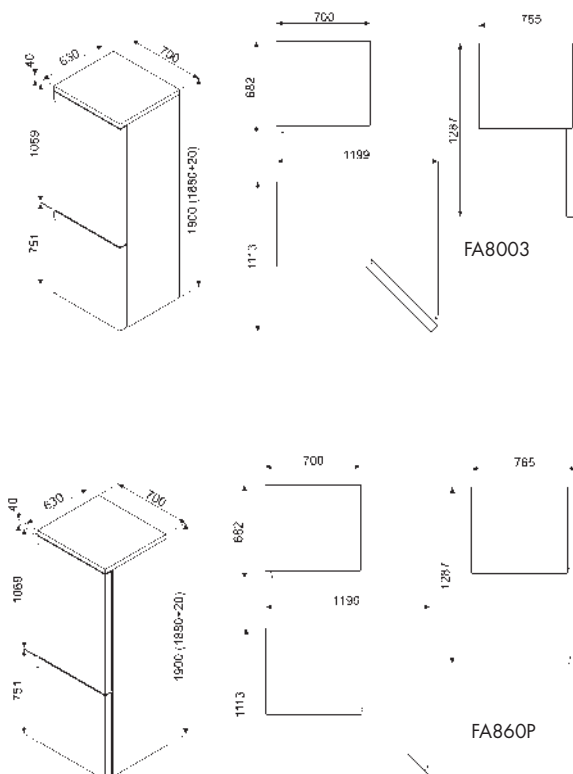
FA8003AOS  
 Anthracite, Left hand hinges

### ALSO AVAILABLE:

FA8003POS  
 Cream, Left hand hinges

### ALSO AVAILABLE:

FA8003PS  
 Cream, Left hand hinges





## FA8003PO

BOTTOM MOUNT REFRIGERATOR-FREEZER,  
FREE STANDING, RIGHT HAND HINGE,  
CREAM, ANTIQUE BRASS HANDLE,  
COLONIALE



### REFRIGERATOR:

Storage volume fresh food compartment:  
264 litres  
Fan assisted cooling  
Interior light  
Extra-fresh zone with manual control  
2 adjustable glass shelves  
Glass shelf to cover fruit and vegetable  
container  
Bottle shelf

### INNERDOOR FRIDGE:

2 balcony shelves with transparent covers  
1 bottle balcony

### FREEZER:

Storage volume frozen food compartment:  
92 litres  
3 drawers

Fast freezing button

Annual energy consumption: 325 KWh  
Electrical connection rating: 280 W  
Climatic class: SN, T  
Freezing capacity: 18 Kg/h  
Thaw time: 16 hrs

Voltage: 220-240 V  
Current: 1.6 Amp  
Frequency: 50 Hz

Accessories: Cheese box, Egg holder

### ALSO AVAILABLE:

FA8003POS

Cream, left hand hinges

## FA8003PS

BOTTOM MOUNT REFRIGERATOR-FREEZER,  
FREE STANDING, RIGHT HAND HINGE,  
CREAM, COLONIALE



### REFRIGERATOR:

Storage volume fresh food compartment:  
264 litres  
Fan assisted cooling  
Interior light  
Extra-fresh zone with manual control  
2 adjustable glass shelves  
Glass shelf to cover fruit and vegetable  
container  
Bottle shelf

### INNERDOOR FRIDGE:

2 balcony shelves with transparent covers  
1 bottle balcony

### FREEZER:

Storage volume frozen food compartment:  
92 litres  
3 drawers

Fast freezing button

Annual energy consumption: 325 KWh  
Electrical connection rating: 280 W  
Climatic class: SN, T  
Freezing capacity: 18 Kg/h  
Thaw time: 16 hrs

Voltage: 220-240 V  
Current: 1.6 Amp  
Frequency: 50 Hz

Accessories: Cheese box, Egg holder

## FA860P

BOTTOM MOUNT REFRIGERATOR-FREEZER,  
FREE STANDING, RIGHT HAND HINGE,  
CREAM, COLONIALE



### REFRIGERATOR:

Fan assisted refrigerator, no frost freezer  
Storage volume fresh food compartment:  
229 litres  
Fan assisted cooling  
Interior light  
3 adjustable glass shelves  
Glass shelf to cover fruit and vegetable  
container  
Bottle shelf

### INNERDOOR FRIDGE:

1 balcony shelf with transparent cover  
1 bottle balcony

### FREEZER:

Storage volume frozen food compartment:  
75 litres  
3 drawers

Fast freezing button

Annual energy consumption: 291 KWh  
Electrical connection rating: 10 W  
Climatic class: N, ST  
Freezing capacity: 4 Kg/h  
Thaw time: 18 hrs

Voltage: 220 V  
Current: 10 Amp  
Frequency: 50 Hz

Accessories: Bottle holder, Egg holder

## FC202PMNE

BOTTOM MOUNT REFRIGERATOR-FREEZER,  
MARBLE EFFECT, FREE STANDING



### REFRIGERATOR:

Storage volume fresh food compartment:  
266 litres  
Fan assisted cooling  
Multiflow  
Interior light  
Extra-fresh zone  
2 adjustable glass shelves  
Glass shelf to cover fruit and vegetable  
container  
1 fruit and vegetables drawer

### INNERDOOR FRIDGE:

1 bottle balcony

### FREEZER:

Storage volume frozen food compartment:  
94 litres  
3 drawers

Annual energy consumption: 274 kWh  
Electrical connection rating: 166 W  
Climatic class: SN, T  
Freezing capacity: 12 Kg/h  
Thaw time: 18 hrs

Voltage: 220-240 V  
Current: 0.74 Amp  
Frequency: 50 Hz

Accessories: Egg holder

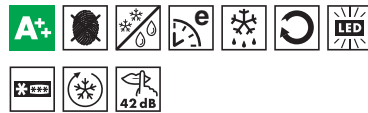


### FC202PXNE

Stainless Steel,  
Reversible door with  
right hand hinges

## FC202PXN

BOTTOM MOUNT REFRIGERATOR-FREEZER,  
STAINLESS STEEL, FREE STANDING



### REFRIGERATOR:

Storage volume fresh food compartment:  
266 litres  
Fan assisted cooling  
Multiflow  
Interior light  
2 adjustable glass shelves  
Glass shelf to cover fruit and vegetable  
container  
1 fruit and vegetables drawer

### INNERDOOR FRIDGE:

1 bottle balcony

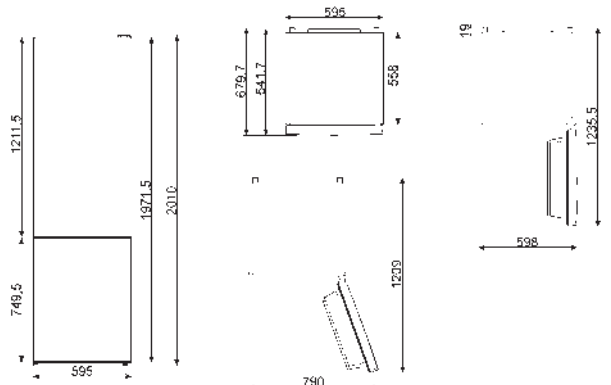
### FREEZER:

Storage volume frozen food compartment:  
94 litres  
3 drawers

Annual energy consumption: 274 kWh  
Electrical connection rating: 166 W  
Climatic class: SN, T  
Freezing capacity: 12 Kg/h  
Thaw time: 18 hrs

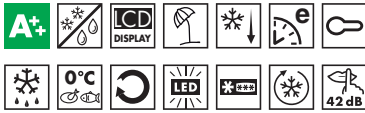
Voltage: 220-240 V  
Current: 0.74 Amp  
Frequency: 50 Hz

Accessories: Egg holder



## FC182PMNE

BOTTOM MOUNT REFRIGERATOR-FREEZER,  
MARBLE EFFECT, FREE STANDING



### REFRIGERATOR:

Storage volume fresh food compartment:  
230 litres  
Fan assisted cooling  
Multiflow  
Interior light  
Extra-fresh zone  
2 adjustable glass shelves  
Glass shelf to cover fruit and vegetable  
container  
1 fruit and vegetables drawer

### INNERDOOR FRIDGE:

1 bottle balcony

### FREEZER:

Storage volume frozen food compartment:  
94 litres  
3 drawers

Annual energy consumption: 263 kWh  
Electrical connection rating: 166 W  
Climatic class: SN, T  
Freezing capacity: 12 Kg/h  
Thaw time: 18 hrs

Voltage: 220-240 V  
Current: 0.74 Amp  
Frequency: 50 Hz

Accessories: Egg holder

## FC182PMN

BOTTOM MOUNT REFRIGERATOR-FREEZER,  
FREE STANDING, RIGHT HAND HINGE,  
WHITE



### REFRIGERATOR:

Storage volume fresh food compartment:  
230 litres  
Fan assisted cooling  
Multiflow  
Interior light  
2 adjustable glass shelves  
Glass shelf to cover fruit and vegetable  
container  
1 fruit and vegetables drawer

### INNERDOOR FRIDGE:

1 bottle balcony

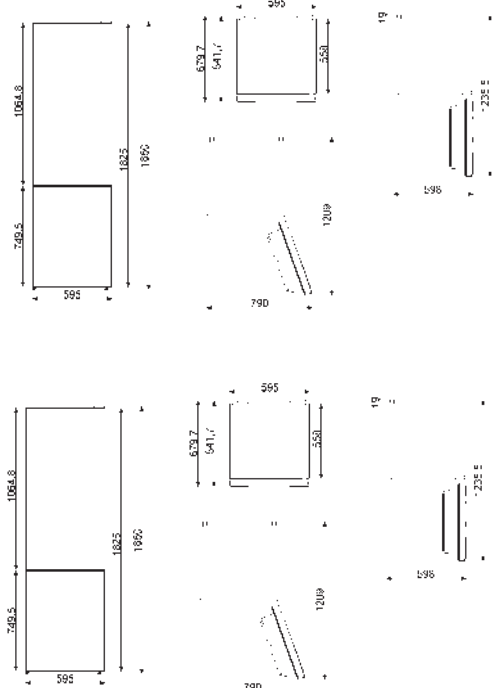
### FREEZER:

Storage volume frozen food compartment:  
94 litres  
3 drawers

Annual energy consumption: 263 kWh  
Electrical connection rating: 166 W  
Climatic class: SN, T  
Freezing capacity: 12 Kg/h  
Thaw time: 18 hrs

Voltage: 220-240 V  
Current: 0.74 Amp  
Frequency: 50 Hz

Accessories: Egg holder



## FC400B2PE

BOTTOM MOUNT REFRIGERATOR-FREEZER,  
FREE STANDING, RIGHT HAND HINGE,  
WHITE



## FC400X2PE

BOTTOM MOUNT REFRIGERATOR-FREEZER,  
STAINLESS STEEL, FREE STANDING



### REFRIGERATOR:

Storage volume fresh food compartment:  
257 litres  
Fan assisted cooling  
Multiflow  
Interior light  
Extra-fresh zone  
3 adjustable glass shelves  
Glass shelf to cover fruit and vegetable  
container  
Bottle shelf  
1 fruit and vegetables drawer

### INNERDOOR FRIDGE:

Adjustable balcony storage with metal supports  
Balcony storage with metal supports  
1 balcony shelf with transparent cover  
1 bottle balcony with metal wire

### FREEZER:

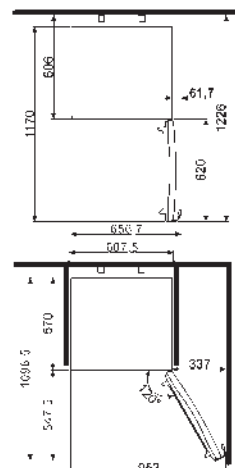
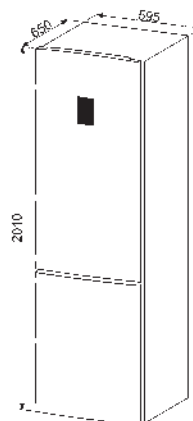
Storage volume frozen food compartment:  
99 litres  
2 drawers  
Fast freezing compartment  
1 Ice tray

Fast freezing button

Annual energy consumption: 275 kWh  
Electrical connection rating: 100 W  
Climatic class: SN, N, ST, T  
Freezing capacity: 5 Kg/h  
Thaw time: 33 hrs

Voltage: 220-240 V  
Current: 0.45 Amp  
Frequency: 50 Hz

Accessories: Egg holder



## FC400BP

BOTTOM MOUNT REFRIGERATOR-FREEZER,  
FREE STANDING, RIGHT HAND HINGE,  
WHITE



## FC400XP

BOTTOM MOUNT REFRIGERATOR-FREEZER,  
STAINLESS STEEL, FREE STANDING



### REFRIGERATOR:

Storage volume fresh food compartment:  
257 litres  
Fan assisted cooling  
Multiflow  
Interior light  
Extra-fresh zone  
3 adjustable glass shelves  
Glass shelf to cover fruit and vegetable  
container  
Bottle shelf  
1 fruit and vegetables drawer

### INNERDOOR FRIDGE:

Adjustable balcony storage with metal supports  
Balcony storage with metal supports  
1 balcony shelf with transparent cover  
1 bottle balcony with metal wire

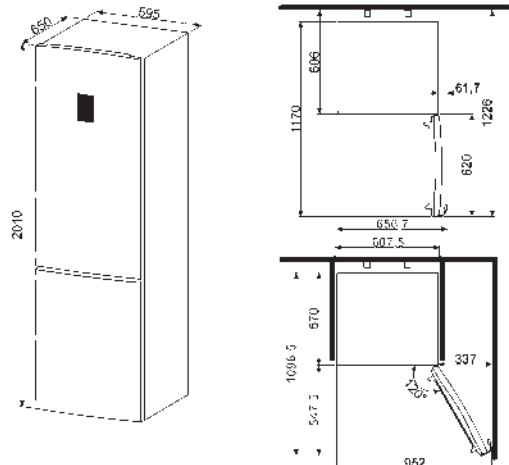
### FREEZER:

Storage volume frozen food compartment:  
99 litres  
3 drawers  
Fast freezing compartment  
1 Ice tray

Annual energy consumption: 351 kWh  
Electrical connection rating: 100 W  
Climatic class: SN, N, ST, T  
Freezing capacity: 5 Kg/h  
Thaw time: 25 hrs

Voltage: 220-240 V  
Current: 0.45 Amp  
Frequency: 50 Hz

Accessories: Egg holder



## FC40PXNE4

BOTTOM MOUNT REFRIGERATOR-FREEZER,  
STAINLESS STEEL, FREE STANDING



## FC40MNE4

BOTTOM MOUNT REFRIGERATOR-FREEZER,  
MARBLE EFFECT, FREE STANDING



### REFRIGERATOR:

Storage volume fresh food compartment:  
229 litres  
Fan assisted cooling  
Interior light  
Extra-fresh zone with manual control  
2 adjustable glass shelves  
Glass shelf to cover fruit and vegetable  
container  
2 fruit and vegetables drawers

### INNERDOOR FRIDGE:

Adjustable balcony storage with metal supports  
Balcony storage with metal supports  
1 bottle balcony with metal wire

### FREEZER:

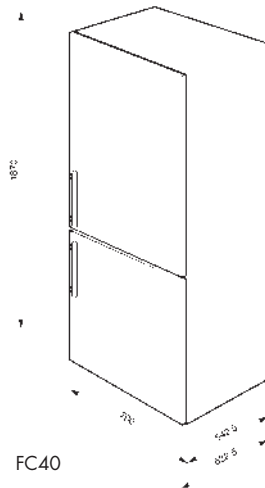
Storage volume frozen food compartment:  
97 litres  
2 drawers  
Fast freezing compartment  
1 compartment with pull-down flap

Fast freezing button

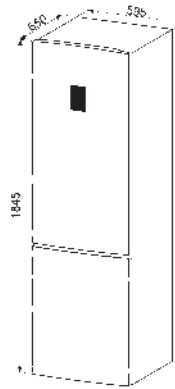
Annual energy consumption: 368 kWh  
Electrical connection rating: 199 W  
Climatic class: SN, N, ST, T  
Freezing capacity: 12 Kg/h  
Thaw time: 8 hrs

Voltage: 230 V  
Current: 1.4 Amp  
Frequency: 50 Hz

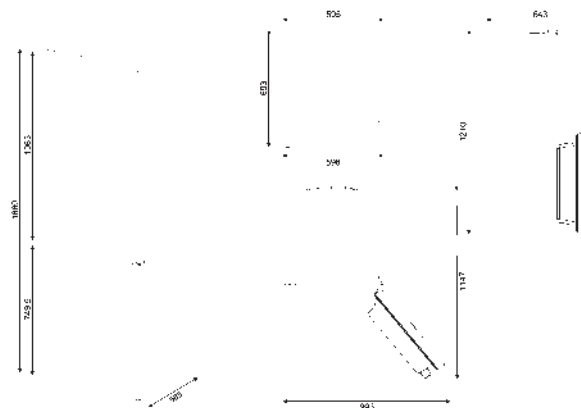
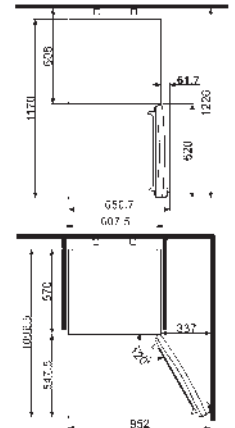
Accessories: Egg holder



FC40



FC370



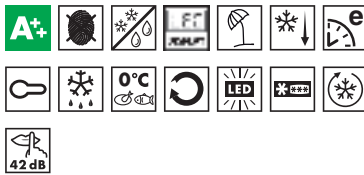
FC3732PXNFE

FREE STANDING

REFRIGERATION

## FC3732PXNFE

BOTTOM MOUNT REFRIGERATOR-FREEZER, STAINLESS STEEL, FREE STANDING, STAINLESS STEEL



### REFRIGERATOR:

Storage volume fresh food compartment: 230 litres  
Fan assisted cooling  
Multiflow  
Interior light  
Extra-fresh zone  
2 adjustable glass shelves  
Glass shelf to cover fruit and vegetable container  
1 fruit and vegetables drawer

### INNERDOOR FRIDGE:

1 bottle balcony

### FREEZER:

Storage volume frozen food compartment: 94 litres  
LED lights  
Inside light  
3 drawers

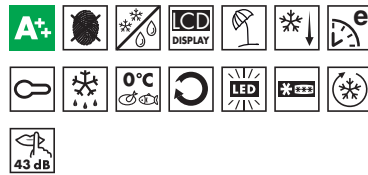
Annual energy consumption: 263 kWh  
Electrical connection rating: 166 W  
Climatic class: SN, T  
Freezing capacity: 12 Kg/h  
Thaw time: 18 hrs

Voltage: 220-240 V  
Current: 0.74 Amp  
Frequency: 50 Hz

Accessories: Egg holder

## FC370X2PE

BOTTOM MOUNT REFRIGERATOR-FREEZER, STAINLESS STEEL, FREE STANDING



### REFRIGERATOR:

Storage volume fresh food compartment: 219 litres  
Fan assisted cooling  
Multiflow  
Interior light  
Extra-fresh zone  
2 adjustable glass shelves  
Glass shelf to cover fruit and vegetable container  
Bottle shelf  
1 fruit and vegetables drawer

### INNERDOOR FRIDGE:

Adjustable balcony storage with metal supports  
Balcony storage with metal supports  
1 balcony shelf with transparent cover  
1 bottle balcony with metal wire

### FREEZER:

Storage volume frozen food compartment: 99 litres  
2 drawers  
Fast freezing compartment  
1 ice tray

Fast freezing button

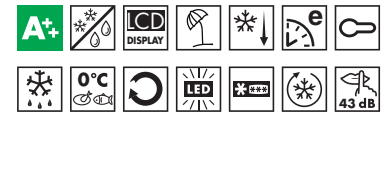
Annual energy consumption: 264 kWh  
Electrical connection rating: 90 W  
Climatic class: SN, N, ST, T  
Freezing capacity: 5 Kg/h  
Thaw time: 21 hrs

Voltage: 220-240 V  
Current: 0.4 Amp  
Frequency: 50 Hz

Accessories: Egg holder

## FC370B2PE

BOTTOM MOUNT REFRIGERATOR-FREEZER, FREE STANDING, RIGHT HAND HINGE, WHITE



### REFRIGERATOR:

Storage volume fresh food compartment: 219 litres  
Fan assisted cooling  
Multiflow  
Interior light  
Extra-fresh zone  
2 adjustable glass shelves  
Glass shelf to cover fruit and vegetable container  
Bottle shelf  
1 fruit and vegetables drawer

### INNERDOOR FRIDGE:

Adjustable balcony storage with metal supports  
Balcony storage with metal supports  
1 balcony shelf with transparent cover  
1 bottle balcony with metal wire

### FREEZER:

Storage volume frozen food compartment: 99 litres  
2 drawers  
Fast freezing compartment  
1 ice tray

Fast freezing button

Annual energy consumption: 264 kWh  
Electrical connection rating: 90 W  
Climatic class: SN, N, ST, T  
Freezing capacity: 5 Kg/h  
Thaw time: 21 hrs

Voltage: 220-240 V  
Current: 0.4 Amp  
Frequency: 50 Hz

Accessories: Egg holder

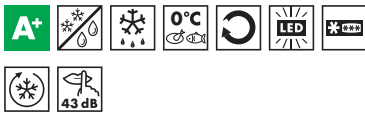
## FC370BP

BOTTOM MOUNT REFRIGERATOR-FREEZER,  
FREE STANDING, RIGHT HAND HINGE,  
WHITE



## FC370XP

BOTTOM MOUNT REFRIGERATOR-FREEZER,  
STAINLESS STEEL, FREE STANDING



### REFRIGERATOR:

Storage volume fresh food compartment:  
219 litres  
Fan assisted cooling  
Multiflow  
Interior light  
Extra-fresh zone  
2 adjustable glass shelves  
Glass shelf to cover fruit and vegetable  
container  
Bottle shelf  
1 fruit and vegetables drawer

### INNERDOOR FRIDGE:

Adjustable balcony storage with metal supports  
Balcony storage with metal supports  
1 balcony shelf with transparent cover  
1 bottle balcony with metal wire

### FREEZER:

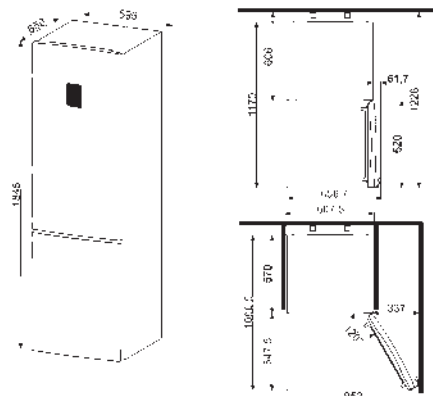
Storage volume frozen food compartment:  
99 litres  
3 drawers  
Fast freezing compartment  
1 Ice tray

Fast freezing button

Annual energy consumption: 264 kWh  
Electrical connection rating: 90 W  
Climatic class: SN, N, ST, T  
Freezing capacity: 5 Kg/h  
Thaw time: 21 hrs

Voltage: 220-240 V  
Current: 0.4 Amp  
Frequency: 50 Hz

Accessories: Egg holder





## FD32AP1

REFRIGERATOR, DOUBLE DOOR, FREE STANDING, RIGHT HAND HINGE, WHITE



### REFRIGERATOR:

Static  
Storage volume fresh food compartment:  
237 litres  
Interior light  
3 adjustable glass shelves  
Glass shelf to cover fruit and vegetable  
container  
1 fruit and vegetables drawer

### INNERDOOR FRIDGE:

1 bottle balcony

### FREEZER:

Storage volume frozen food compartment:  
69 litres

Annual energy consumption: 265 KWh  
Electrical connection rating: 120 W  
Climatic class: SN, ST  
Freezing capacity: 4 Kg/h  
Thaw time: 19 hrs

Voltage: 220-240 V  
Current: 0.6 Amp  
Frequency: 50 Hz

## FD268AP2

REFRIGERATOR, DOUBLE DOOR, FREE STANDING, RIGHT HAND HINGE, WHITE



### REFRIGERATOR:

Static  
Storage volume fresh food compartment:  
211 litres  
Interior light  
3 adjustable glass shelves  
Glass shelf to cover fruit and vegetable  
container

### INNERDOOR FRIDGE:

1 bottle balcony

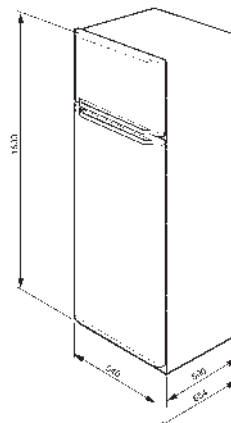
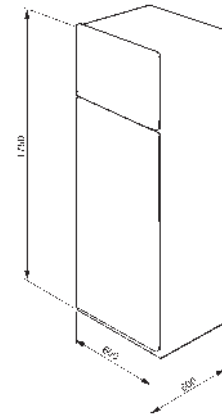
### FREEZER:

Storage volume frozen food compartment:  
42 litres

Annual energy consumption: 236 KWh  
Electrical connection rating: 129 W  
Climatic class: N  
Freezing capacity: 2 Kg/h  
Thaw time: 21 hrs

Voltage: 220-240 V  
Current: 0.5 Amp  
Frequency: 50 Hz

Accessories: Bottle holder, Egg holder



## FD239APS

REFRIGERATOR, DOUBLE DOOR, FREE STANDING, SILVER



### REFRIGERATOR:

Static  
Storage volume fresh food compartment:  
187 litres  
3 adjustable glass shelves  
Glass shelf to cover fruit and vegetable  
container

### INNERDOOR FRIDGE:

1 bottle balcony

Annual energy consumption: 226 KWh  
Electrical connection rating: 98 W  
Climatic class: N  
Freezing capacity: 2 Kg/h  
Thaw time: 14 hrs

Voltage: 220-240 V  
Current: 0.4 Amp  
Frequency: 50 Hz

## FD238AP2

REFRIGERATOR, DOUBLE DOOR, FREE STANDING, RIGHT HAND HINGE, WHITE



### REFRIGERATOR:

Static  
Storage volume fresh food compartment:  
187 litres  
Interior light  
3 adjustable glass shelves  
Glass shelf to cover fruit and vegetable  
container

### INNERDOOR FRIDGE:

1 bottle balcony

### FREEZER:

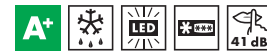
Storage volume frozen food compartment:  
40 litres

Annual energy consumption: 226 KWh  
Climatic class: N  
Freezing capacity: 2 Kg/h  
Thaw time: 14 hrs

Voltage: 220-240 V  
Current: 0.86 Amp  
Frequency: 50 Hz

## FD238APF2

REFRIGERATOR, DOUBLE DOOR, FREE STANDING, RIGHT HAND HINGE, WHITE



### REFRIGERATOR:

Static  
Storage volume fresh food compartment:  
187 litres  
Interior light  
3 adjustable glass shelves  
Glass shelf to cover fruit and vegetable  
container  
1 fruit and vegetables drawer

### INNERDOOR FRIDGE:

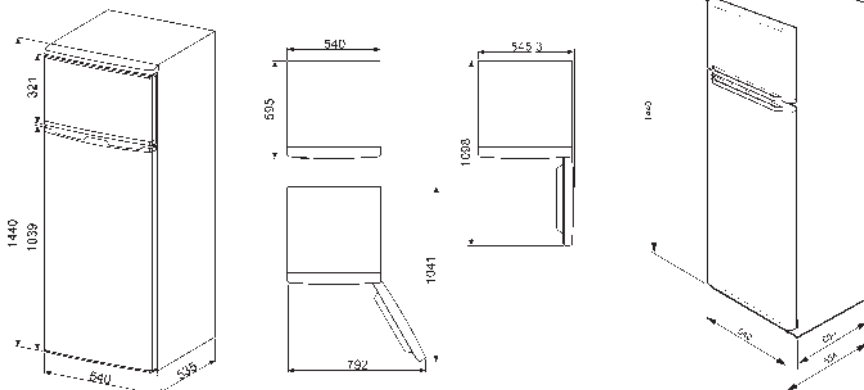
1 bottle balcony

### FREEZER:

Storage volume frozen food compartment:  
40 litres

Annual energy consumption: 226 KWh  
Climatic class: N  
Freezing capacity: 2 Kg/h

Voltage: 220-240 V  
Current: 0.86 Amp  
Frequency: 50 Hz



FD238AP2  
FD238APF2

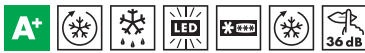


REFRIGERATION FREE STANDING

FD239APS

### C3180FP

BOTTOM MOUNT REFRIGERATOR-FREEZER,  
BUILT-IN, WHITE



**REFRIGERATOR:**

Fan assisted cooling  
Storage volume fresh food compartment:  
228 litres  
Fan assisted cooling  
Interior light  
4 adjustable glass shelves  
Glass shelf to cover fruit and vegetable  
container  
1 fruit and vegetables drawer

**INNERDOOR FRIDGE:**

Adjustable balcony storage with metal supports  
Balcony storage with metal supports  
2 balcony shelves with transparent covers  
1 bottle balcony with metal wire

**FREEZER:**

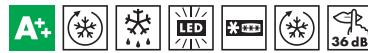
Storage volume frozen food compartment:  
75 litres  
3 drawers  
Fast freezing compartment  
Glass shelves

Annual energy consumption: 309 KWh  
Electrical connection rating: 140 W  
Climatic class: SN, N, ST, T  
Freezing capacity: 4 Kg/h  
Thaw time: 20 hrs  
Current: 0.8 Amp  
Frequency: 50 Hz

Accessories: Egg holder

### C3170F2P1

BOTTOM MOUNT REFRIGERATOR-FREEZER,  
BUILT-IN, WHITE



**REFRIGERATOR:**

Fan assisted cooling  
Storage volume fresh food compartment:  
202 litres  
Fan assisted cooling  
Interior light  
4 adjustable glass shelves  
Glass shelf to cover fruit and vegetable  
container  
2 fruit and vegetables drawers

**INNERDOOR FRIDGE:**

1 balcony shelf with transparent cover  
1 bottle balcony

**FREEZER:**

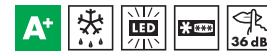
Storage volume frozen food compartment:  
75 litres  
3 drawers

Annual energy consumption: 233 KWh  
Electrical connection rating: 140 W  
Climatic class: SN, N, ST, T  
Freezing capacity: 4 Kg/h  
Thaw time: 22 hrs  
Current: 1.1 Amp  
Frequency: 50 Hz

Accessories: Egg holder

### C3170P1

BOTTOM MOUNT REFRIGERATOR-FREEZER,  
BUILT-IN, WHITE



**REFRIGERATOR:**

Static  
Storage volume fresh food compartment:  
202 litres  
Interior light  
4 adjustable glass shelves  
Glass shelf to cover fruit and vegetable  
container  
2 fruit and vegetables drawers

**INNERDOOR FRIDGE:**

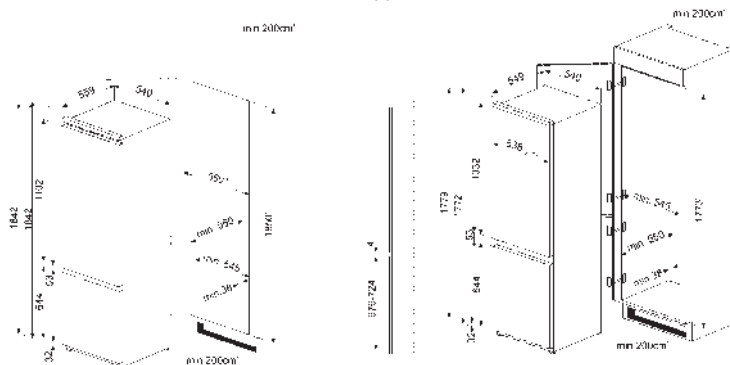
1 balcony shelf with transparent cover  
1 bottle balcony

**FREEZER:**

Storage volume frozen food compartment:  
75 litres  
3 drawers

Annual energy consumption: 297 KWh  
Electrical connection rating: 140 W  
Climatic class: SN, N, ST, T  
Freezing capacity: 4 Kg/h  
Thaw time: 22 hrs  
Current: 1.1 Amp  
Frequency: 50 Hz

Accessories: Egg holder



C3170F2P1  
C3170P1

## C7280F2P1

BOTTOM MOUNT REFRIGERATOR-FREEZER,  
BUILT-IN, WHITE



### REFRIGERATOR:

Fan assisted cooling  
Storage volume fresh food compartment:  
202 litres  
Fan assisted cooling  
Interior light  
4 adjustable glass shelves  
Glass shelf to cover fruit and vegetable  
container  
2 fruit and vegetables drawers

### INNERDOOR FRIDGE:

1 balcony shelf with transparent cover  
1 bottle balcony

### FREEZER:

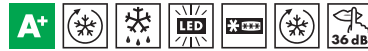
Storage volume frozen food compartment:  
75 litres  
3 drawers

Annual energy consumption: 233 kWh  
Electrical connection rating: 140 W  
Climatic class: SN, N, ST, T  
Freezing capacity: 4 Kg/h  
Thaw time: 22 hrs  
Current: 1.1 Amp  
Frequency: 50 Hz

Accessories: Egg holder

## C7280FP1

BOTTOM MOUNT REFRIGERATOR-FREEZER,  
BUILT-IN, WHITE



### REFRIGERATOR:

Fan assisted cooling  
Storage volume fresh food compartment:  
202 litres  
Fan assisted cooling  
Interior light  
4 adjustable glass shelves  
Glass shelf to cover fruit and vegetable  
container  
2 fruit and vegetables drawers

### INNERDOOR FRIDGE:

1 balcony shelf with transparent cover  
1 bottle balcony

### FREEZER:

Storage volume frozen food compartment:  
75 litres  
3 drawers

Annual energy consumption: 297 kWh  
Electrical connection rating: 140 W  
Climatic class: SN, N, ST, T  
Freezing capacity: 4 Kg/h  
Thaw time: 22 hrs  
Current: 1.1 Amp  
Frequency: 50 Hz

Accessories: Egg holder

## C7280NEP1

BOTTOM MOUNT REFRIGERATOR-FREEZER,  
BUILT-IN, WHITE



### REFRIGERATOR:

Fan assisted refrigerator, no frost freezer  
Storage volume fresh food compartment:  
200 litres  
Fan assisted cooling  
Interior light  
4 adjustable glass shelves  
Glass shelf to cover fruit and vegetable  
container  
2 fruit and vegetables drawers

### INNERDOOR FRIDGE:

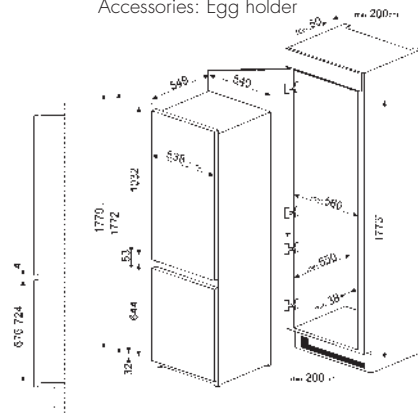
1 balcony shelf with transparent cover  
1 bottle balcony

### FREEZER:

Storage volume frozen food compartment:  
63 litres  
3 drawers

Annual energy consumption: 297 kWh  
Electrical connection rating: 100 W  
Climatic class: SN, N, ST, T  
Freezing capacity: 4 Kg/h  
Thaw time: 20 hrs  
Current: 1.1 Amp  
Frequency: 50 Hz

Accessories: Egg holder



## C3174N2P1

BOTTOM MOUNT REFRIGERATOR-FREEZER,  
BUILT-IN, WHITE



### REFRIGERATOR:

Fan assisted refrigerator, no frost freezer  
Storage volume fresh food compartment:  
200 litres  
Fan assisted cooling  
Interior light  
4 adjustable glass shelves  
Glass shelf to cover fruit and vegetable  
container  
2 fruit and vegetables drawers

### INNERDOOR FRIDGE:

1 balcony shelf with transparent cover  
1 bottle balcony

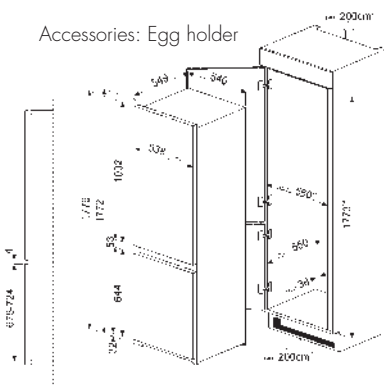
### FREEZER:

Storage volume frozen food compartment:  
63 litres  
3 drawers

Fast freezing button

Annual energy consumption: 233 KWh  
Electrical connection rating: 140 W  
Climatic class: SN, N, ST, T  
Freezing capacity: 10 Kg/h  
Thaw time: 21 hrs  
Current: 1.1 Amp  
Frequency: 50 Hz

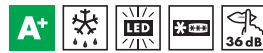
Accessories: Egg holder



C3174N2P1  
C3172NP1

## C3170PL1

BOTTOM MOUNT REFRIGERATOR-FREEZER,  
BUILT-IN, WHITE



### REFRIGERATOR:

Static  
Storage volume fresh food compartment:  
202 litres  
Interior light  
4 adjustable glass shelves  
Glass shelf to cover fruit and vegetable  
container  
2 fruit and vegetables drawers

### INNERDOOR FRIDGE:

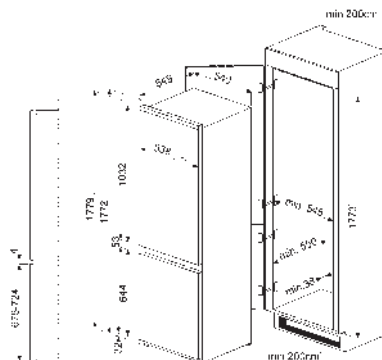
1 balcony shelf with transparent cover  
1 bottle balcony

### FREEZER:

Storage volume frozen food compartment:  
75 litres  
3 drawers

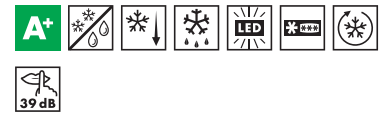
Annual energy consumption: 297 KWh  
Electrical connection rating: 140 W  
Climatic class: SN, N, ST, T  
Freezing capacity: 4 Kg/h  
Thaw time: 22 hrs  
Current: 1.1 Amp  
Frequency: 50 Hz

Accessories: Egg holder



## C3172NP1

BOTTOM MOUNT REFRIGERATOR-FREEZER,  
BUILT-IN, WHITE



### REFRIGERATOR:

Fan assisted refrigerator, no frost freezer  
Storage volume fresh food compartment:  
200 litres  
Fan assisted cooling  
Interior light  
4 adjustable glass shelves  
Glass shelf to cover fruit and vegetable  
container  
2 fruit and vegetables drawers

### INNERDOOR FRIDGE:

1 balcony shelf with transparent cover  
1 bottle balcony

### FREEZER:

Storage volume frozen food compartment:  
63 litres  
3 drawers

Annual energy consumption: 297 KWh  
Electrical connection rating: 100 W  
Climatic class: SN, N, ST, T  
Freezing capacity: 4 Kg/h  
Thaw time: 20 hrs  
Current: 0.7 Amp  
Frequency: 50 Hz

Accessories: Egg holder

## C7280NLD2P1

BOTTOM MOUNT REFRIGERATOR-FREEZER,  
BUILT-IN, WHITE



### REFRIGERATOR:

Fan assisted refrigerator, no frost freezer  
Storage volume fresh food compartment:  
200 litres  
Fan assisted cooling  
Interior light  
3 adjustable glass shelves  
Glass shelf to cover fruit and vegetable  
container  
2 fruit and vegetables drawers

### INNERDOOR FRIDGE:

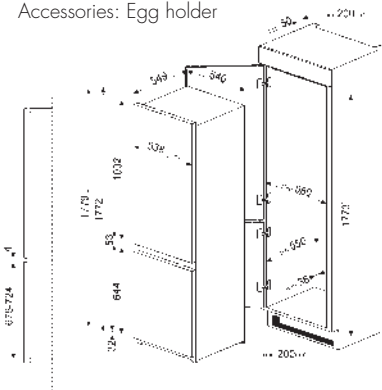
1 balcony shelf with transparent cover  
1 bottle balcony

### FREEZER:

Storage volume frozen food compartment:  
63 litres  
3 drawers

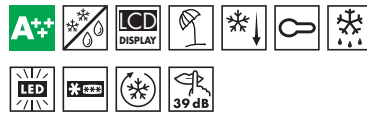
Annual energy consumption: 233 KWh  
Electrical connection rating: 140 W  
Climatic class: SN, N, ST, T  
Freezing capacity: 10 Kg/h  
Thaw time: 21 hrs  
Current: 1.1 Amp  
Frequency: 50 Hz

Accessories: Egg holder



## C7280NLD3P1

BOTTOM MOUNT REFRIGERATOR-FREEZER,  
BUILT-IN, WHITE



### REFRIGERATOR:

Fan assisted refrigerator, no frost freezer  
Storage volume fresh food compartment:  
192 litres  
Fan assisted cooling  
Interior light  
3 adjustable glass shelves  
Glass shelf to cover fruit and vegetable  
container  
2 fruit and vegetables drawers

### INNERDOOR FRIDGE:

1 balcony shelf with transparent cover  
1 bottle balcony

### FREEZER:

Storage volume frozen food compartment:  
61 litres  
3 drawers

Annual energy consumption: 228 KWh  
Electrical connection rating: 140 W  
Climatic class: SN, N, ST, T  
Freezing capacity: 10 Kg/h  
Thaw time: 21 hrs

Voltage: 220-240 V  
Current: 1.1 Amp  
Frequency: 50 Hz

Accessories: Egg holder

## CD7276NLD2P1

BOTTOM MOUNT REFRIGERATOR-FREEZER,  
BUILT-IN, WHITE



### REFRIGERATOR:

Fan assisted refrigerator, no frost freezer  
Storage volume fresh food compartment:  
192 litres  
Fan assisted cooling  
Interior light  
3 adjustable glass shelves  
Glass shelf to cover fruit and vegetable  
container  
2 fruit and vegetables drawers

### INNERDOOR FRIDGE:

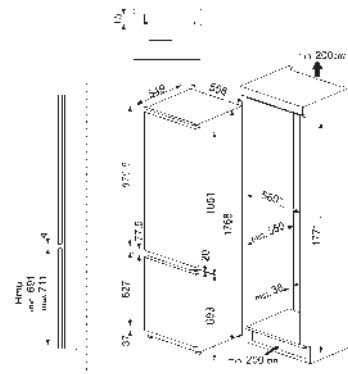
1 balcony shelf with transparent cover  
1 bottle balcony

### FREEZER:

Storage volume frozen food compartment:  
63 litres  
3 drawers

Annual energy consumption: 230 KWh  
Electrical connection rating: 140 W  
Climatic class: SN, N, ST, T  
Freezing capacity: 10 Kg/h  
Thaw time: 23 hrs  
Current: 1.1 Amp  
Frequency: 50 Hz

Accessories: Egg holder



## S7323LFLD2P1

SINGLE DOOR REFRIGERATOR, BUILT-IN,  
WHITE



### REFRIGERATOR:

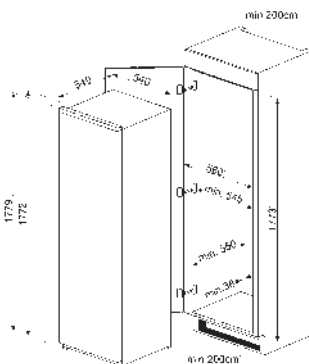
Fan assisted cooling  
Storage volume fresh food compartment:  
319 litres  
Fan assisted cooling  
Interior light  
5 adjustable glass shelves  
Glass shelf to cover fruit and vegetable  
container  
1 fruit and vegetables drawer

### INNERDOOR FRIDGE:

1 balcony shelf with transparent cover  
1 bottle balcony

Annual energy consumption: 113 KWh  
Electrical connection rating: 100 W  
Climatic class: SN, N, ST  
Current: 0.6 Amp  
Frequency: 50 Hz

Accessories: Egg holder



## S7323LFEP1

SINGLE DOOR REFRIGERATOR, BUILT-IN,  
WHITE



### REFRIGERATOR:

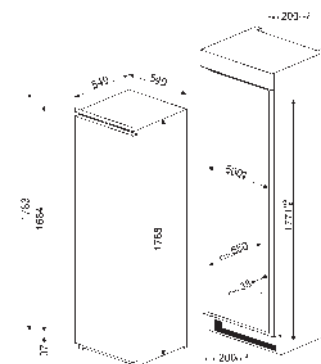
Fan assisted cooling  
Storage volume fresh food compartment:  
319 litres  
Fan assisted cooling  
Interior light  
5 adjustable glass shelves  
Glass shelf to cover fruit and vegetable  
container  
1 fruit and vegetables drawer

### INNERDOOR FRIDGE:

1 balcony shelf with transparent cover  
1 bottle balcony

Annual energy consumption: 143 KWh  
Electrical connection rating: 100 W  
Climatic class: SN, N, ST  
Current: 0.6 Amp  
Frequency: 50 Hz

Accessories: Egg holder



## S7298CFD2P1

SINGLE DOOR REFRIGERATOR, BUILT-IN,  
WHITE



### REFRIGERATOR:

Fan assisted cooling  
Storage volume fresh food compartment:  
268 litres  
Fan assisted cooling  
Interior light  
4 adjustable glass shelves  
Glass shelf to cover fruit and vegetable  
container  
1 fruit and vegetables drawer

### INNERDOOR FRIDGE:

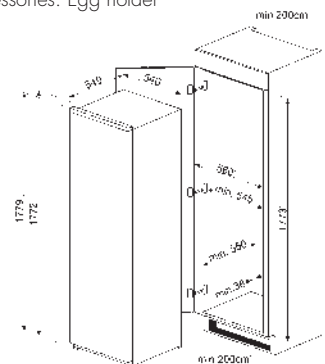
1 balcony shelf with transparent cover  
1 bottle balcony

### FREEZER:

Storage volume frozen food compartment:  
26 litres  
Freezer compartment accessories : Ice tray

Annual energy consumption: 219 KWh  
Electrical connection rating: 130 W  
Climatic class: SN, N, ST, T  
Freezing capacity: 3 Kg/h  
Thaw time: 20 hrs  
Current: 1 Amp  
Frequency: 50 Hz

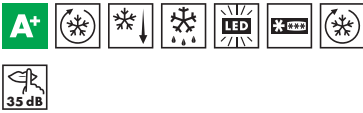
Accessories: Egg holder





## S7298CFEP1

SINGLE DOOR REFRIGERATOR, BUILT-IN, WHITE



### REFRIGERATOR:

Fan assisted cooling  
Storage volume fresh food compartment: 268 litres  
Fan assisted cooling  
Interior light  
4 adjustable glass shelves  
Glass shelf to cover fruit and vegetable container  
1 fruit and vegetables drawer

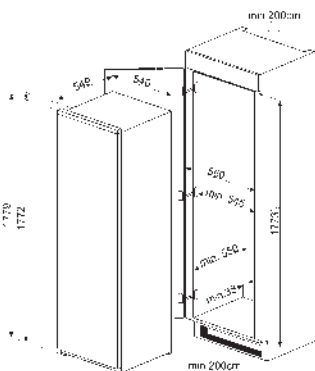
### INNERDOOR FRIDGE:

1 balcony shelf with transparent cover  
1 bottle balcony

### FREEZER:

Storage volume frozen food compartment: 26 litres

Annual energy consumption: 279 KWh  
Electrical connection rating: 130 W  
Climatic class: SN, N, ST, T  
Freezing capacity: 3 Kg/h  
Thaw time: 20 hrs  
Current: 1 Amp  
Frequency: 50 Hz



## SD7220FND2P1

SINGLE DOOR, UPRIGHT FREEZER, BUILT - IN, COMPLETELY NO-FROST, 178 CM, WHITE



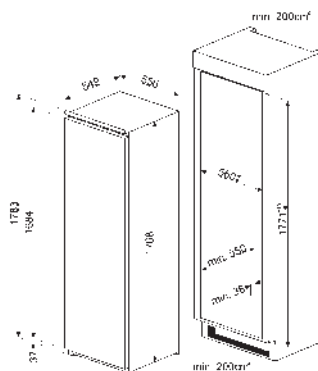
### PLUS:



Net freezing capacity: 204 litres  
Fast freezing button  
5 drawers  
2 shelves with flap  
Hinge door to door  
Reversible door with right hand hinge

Freezing capacity: 20 Kg/24h  
Climatic class: SN, N, ST, T  
Annual energy consumption: 238 KWh  
Electrical connection rating: 140 W

Frequency: 50 Hz  
Current: 1 Amp



## S7220FNDP1

SINGLE DOOR, UPRIGHT FREEZER, BUILT - IN, COMPLETELY NO-FROST, 178 CM, WHITE



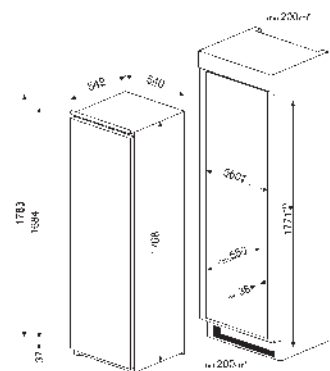
### PLUS:



Net freezing capacity: 208 litres  
Fast freezing button  
5 drawers  
2 shelves with flap  
Hinge sliding  
Reversible door with right hand hinge

Freezing capacity: 20 Kg/24h  
Climatic class: SN, N, ST, T  
Annual energy consumption: 306 KWh  
Electrical connection rating: 150 W

Frequency: 50 Hz  
Current: 1 Amp



## SD7323LFLD2P1

SINGLE DOOR REFRIGERATOR, BUILT-IN,  
WHITE



### REFRIGERATOR:

Fan assisted cooling  
Storage volume fresh food compartment:  
310 litres  
Fan assisted cooling  
Interior light  
5 adjustable glass shelves  
Glass shelf to cover fruit and vegetable  
container  
1 fruit and vegetables drawer

### INNERDOOR FRIDGE:

1 balcony shelf with transparent cover  
1 bottle balcony

Annual energy consumption: 114 kWh  
Electrical connection rating: 100 W  
Climatic class: SN, N, ST, T  
Current: 0.6 Amp  
Frequency: 50 Hz

Accessories: Egg holder

## SD7205SLD2P1

SINGLE DOOR REFRIGERATOR, BUILT-IN,  
WHITE



### REFRIGERATOR:

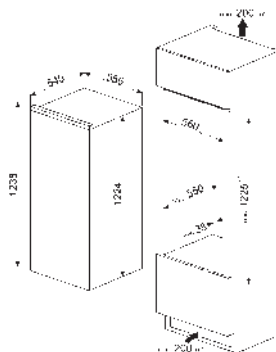
Static  
Storage volume fresh food compartment:  
202 litres  
Interior light  
4 adjustable glass shelves  
Glass shelf to cover fruit and vegetable  
container  
2 fruit and vegetables drawers

### INNERDOOR FRIDGE:

1 balcony shelf with transparent cover  
1 bottle balcony

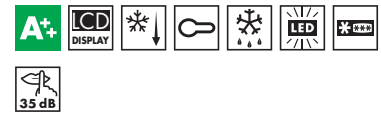
Annual energy consumption: 103 kWh  
Electrical connection rating: 130 W  
Climatic class: SN, N, ST, T  
Current: 1 Amp  
Frequency: 50 Hz

Accessories: Egg holder



## SD7185CSD2P1

SINGLE DOOR REFRIGERATOR, BUILT-IN,  
WHITE



### REFRIGERATOR:

Static  
Storage volume fresh food compartment:  
166 litres  
Interior light  
3 adjustable glass shelves  
Glass shelf to cover fruit and vegetable  
container  
2 fruit and vegetables drawers

### INNERDOOR FRIDGE:

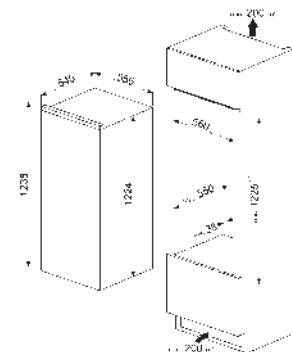
1 balcony shelf with transparent cover  
1 bottle balcony

### FREEZER:

Storage volume frozen food compartment:  
15 litres  
Freezer compartment accessories : Ice tray

Annual energy consumption: 172 kWh  
Electrical connection rating: 130 W  
Climatic class: SN, N, ST, T  
Freezing capacity: 2 Kg/h  
Thaw time: 12 hrs  
Current: 1 Amp  
Frequency: 50 Hz

Accessories: Egg holder



## FR232P

REFRIGERATOR, DOUBLE DOOR, BUILT-IN,  
WHITE



### REFRIGERATOR:

Static  
Storage volume fresh food compartment:  
176 litres  
Interior light  
3 adjustable glass shelves  
Glass shelf to cover fruit and vegetable  
container  
1 fruit and vegetables drawer

### INNERDOOR FRIDGE:

1 bottle balcony

### FREEZER:

Storage volume frozen food compartment:  
38 litres

Annual energy consumption: 238 KWh  
Climatic class: N  
Freezing capacity: 2 Kg/h  
Thaw time: 10 hrs

Voltage: 220-240 V  
Current: 0.51 Amp  
Frequency: 50 Hz

## FR232PSX

REFRIGERATOR, DOUBLE DOOR, BUILT-IN,  
WHITE



### REFRIGERATOR:

Static  
Storage volume fresh food compartment:  
176 litres  
Interior light  
3 adjustable glass shelves  
Glass shelf to cover fruit and vegetable  
container  
2 fruit and vegetables drawers

### INNERDOOR FRIDGE:

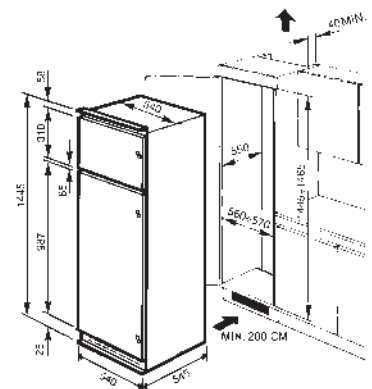
1 bottle balcony

### FREEZER:

Storage volume frozen food compartment:  
38 litres

Annual energy consumption: 238 KWh  
Climatic class: N  
Freezing capacity: 2 Kg/h  
Thaw time: 10 hrs

Voltage: 220-240 V  
Current: 0.51 Amp  
Frequency: 50 Hz



## RI360RX

SINGLE DOOR REFRIGERATOR, BUILT-IN,  
STAINLESS STEEL



### REFRIGERATOR:

Fan assisted cooling  
Storage volume fresh food compartment:  
319 litres  
Fan assisted cooling  
Interior light  
5 adjustable glass shelves  
Glass shelf to cover fruit and vegetable  
container  
1 fruit and vegetables drawer

### INNERDOOR FRIDGE:

Adjustable balcony storage with metal supports  
Balcony storage with metal supports  
1 balcony shelf with transparent cover  
1 bottle balcony with metal wire

Annual energy consumption: 113 KWh  
Electrical connection rating: 100 W  
Climatic class: SN, N, ST  
Current: 0.6 Amp  
Frequency: 50 Hz

Accessories: Egg holder

## FI360LX

SINGLE DOOR, UPRIGHT FREEZER, BUILT - IN,  
COMPLETELY NO-FROST, STEEL



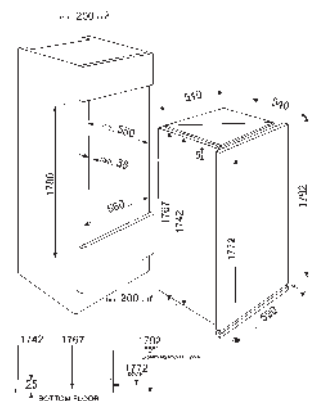
### PLUS:



Net freezing capacity: 208 litres  
Fast freezing button  
5 drawers  
2 shelves with flap  
Hinge standard  
Door with left hand hinge

Freezing capacity: 20 Kg/24h  
Climatic class: SN, N, ST, T  
Annual energy consumption: 241 KWh  
Electrical connection rating: 140 W

Frequency: 50 Hz  
Current: 1 Amp





REFRIGERATION BUILT-IN

RI360RX

## D3150P1

REFRIGERATOR, DOUBLE DOOR, BUILT-IN,  
WHITE



### REFRIGERATOR:

Static  
Storage volume fresh food compartment:  
218 litres  
Interior light  
4 adjustable glass shelves  
Glass shelf to cover fruit and vegetable  
container  
1 fruit and vegetables drawer

### INNERDOOR FRIDGE:

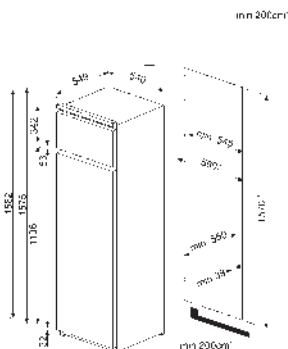
1 balcony shelf with transparent cover  
1 bottle balcony

### FREEZER:

Storage volume frozen food compartment:  
50 litres

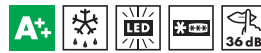
Annual energy consumption: 279 KWh  
Electrical connection rating: 200 W  
Climatic class: SN, N, ST, T  
Freezing capacity: 4 Kg/h  
Thaw time: 20 hrs  
Current: 1.5 Amp  
Frequency: 50 Hz

Accessories: Egg holder



## D72302P1

REFRIGERATOR, DOUBLE DOOR, BUILT-IN,  
WHITE



### REFRIGERATOR:

Static  
Storage volume fresh food compartment:  
184 litres  
Interior light  
3 adjustable glass shelves  
Glass shelf to cover fruit and vegetable  
container  
1 fruit and vegetables drawer

### INNERDOOR FRIDGE:

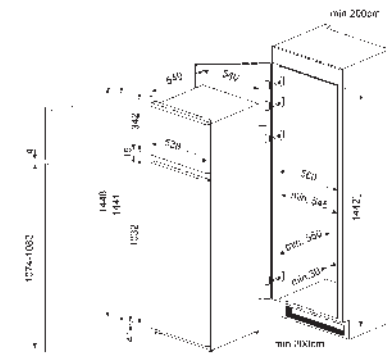
1 balcony shelf with transparent cover  
1 bottle balcony

### FREEZER:

Storage volume frozen food compartment:  
40 litres

Annual energy consumption: 199 KWh  
Electrical connection rating: 140 W  
Climatic class: SN, N, ST, T  
Freezing capacity: 4 Kg/h  
Thaw time: 20 hrs  
Current: 1 Amp  
Frequency: 50 Hz

Accessories: Egg holder



## S7L148DF2P1

SINGLE DOOR REFRIGERATOR, BUILT-IN,  
WHITE



### REFRIGERATOR:

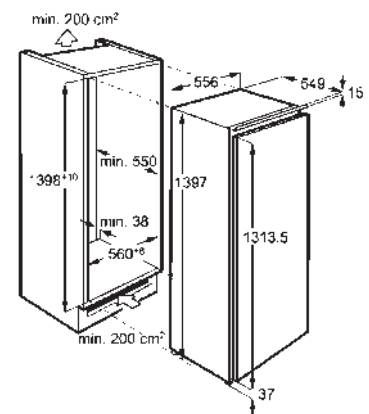
Storage volume fresh food compartment:  
153 litres  
Fan assisted cooling  
Multiflow  
Interior light  
Extra-fresh zone with electronic control  
4 adjustable glass shelves  
2 fruit and vegetables drawers

### INNERDOOR FRIDGE:

1 balcony shelf with transparent cover  
1 bottle balcony

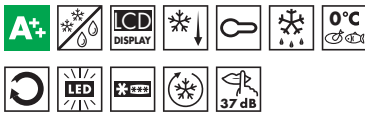
Annual energy consumption: 122 KWh  
Electrical connection rating: 80 W  
Climatic class: SN, N, ST, T  
Current: 0.5 Amp  
Frequency: 50 Hz

Accessories: Egg holder



## S7C148DF2P1

SINGLE DOOR REFRIGERATOR, BUILT-IN,  
WHITE



### REFRIGERATOR:

Storage volume fresh food compartment:  
115 litres  
Fan assisted cooling  
Multiflow  
Interior light  
Extra-fresh zone with electronic control  
2 adjustable glass shelves  
2 fruit and vegetables drawers

### INNERDOOR FRIDGE:

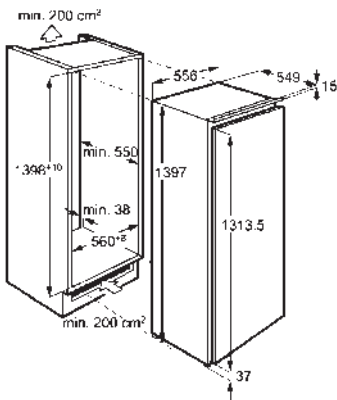
1 balcony shelf with transparent cover  
1 bottle balcony

### FREEZER:

Storage volume frozen food compartment:  
14 litres  
Freezer compartment accessories : Ice tray

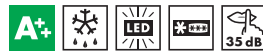
Annual energy consumption: 197 KWh  
Electrical connection rating: 80 W  
Climatic class: SN, N, ST, T  
Freezing capacity: 2 Kg/h  
Thaw time: 13 hrs  
Current: 0.5 Amp  
Frequency: 50 Hz

Accessories: Egg holder



## S7192CS2P1

SINGLE DOOR REFRIGERATOR, BUILT-IN,  
WHITE



### REFRIGERATOR:

Static  
Storage volume fresh food compartment:  
174 litres  
Interior light  
3 adjustable glass shelves  
Glass shelf to cover fruit and vegetable container  
2 fruit and vegetables drawers

### INNERDOOR FRIDGE:

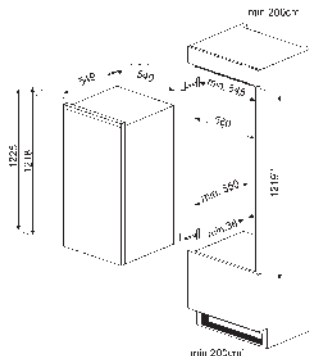
1 balcony shelf with transparent cover  
1 bottle balcony

### FREEZER:

Storage volume frozen food compartment:  
15 litres

Annual energy consumption: 175 KWh  
Electrical connection rating: 130 W  
Climatic class: SN, N, ST, T  
Freezing capacity: 2 Kg/h  
Thaw time: 12 hrs  
Current: 1 Amp  
Frequency: 50 Hz

Accessories: Egg holder



## S7212LS2P1

SINGLE DOOR REFRIGERATOR, BUILT-IN,  
WHITE



### REFRIGERATOR:

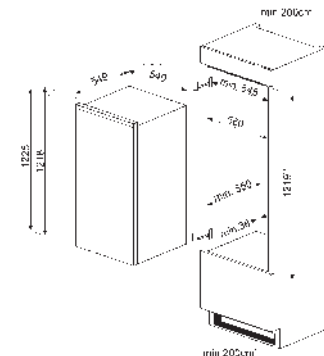
Static  
Storage volume fresh food compartment:  
208 litres  
Interior light  
4 adjustable glass shelves  
Glass shelf to cover fruit and vegetable container  
2 fruit and vegetables drawers

### INNERDOOR FRIDGE:

1 balcony shelf with transparent cover  
1 bottle balcony

Annual energy consumption: 103 KWh  
Electrical connection rating: 130 W  
Climatic class: SN, N, ST, T  
Current: 1 Amp  
Frequency: 50 Hz

Accessories: Egg holder



### S3C120P1

SINGLE DOOR REFRIGERATOR, BUILT-IN, WHITE



#### REFRIGERATOR:

Static  
Storage volume fresh food compartment: 174 litres  
Interior light  
3 adjustable glass shelves  
Glass shelf to cover fruit and vegetable container  
2 fruit and vegetables drawers

#### INNERDOOR FRIDGE:

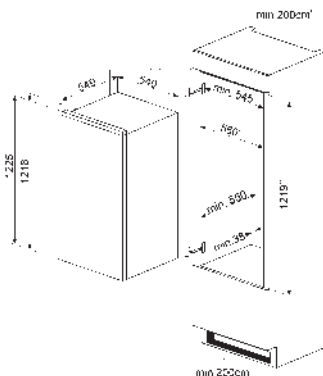
1 balcony shelf with transparent cover  
1 bottle balcony

#### FREEZER:

Storage volume frozen food compartment: 15 litres  
Freezer compartment accessories : Ice tray

Annual energy consumption: 215 KWh  
Electrical connection rating: 130 W  
Climatic class: SN, N, ST  
Freezing capacity: 2 Kg/h  
Thaw time: 12 hrs  
Current: 1 Amp  
Frequency: 50 Hz

Accessories: Egg holder



### S3C100P1

SINGLE DOOR REFRIGERATOR, BUILT-IN, WHITE



#### REFRIGERATOR:

Static  
Storage volume fresh food compartment: 152 litres  
Interior light  
2 adjustable glass shelves  
Glass shelf to cover fruit and vegetable container  
1 fruit and vegetables drawer

#### INNERDOOR FRIDGE:

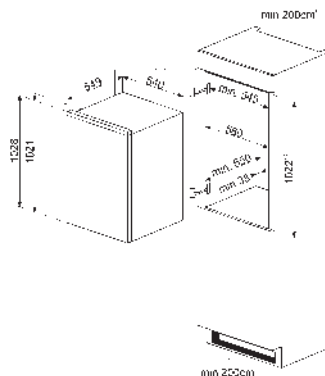
1 balcony shelf with transparent cover  
1 bottle balcony

#### FREEZER:

Storage volume frozen food compartment: 17 litres  
Freezer compartment accessories : Ice tray

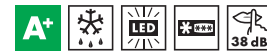
Annual energy consumption: 208 KWh  
Electrical connection rating: 100 W  
Climatic class: SN, N, ST  
Freezing capacity: 2 Kg/h  
Thaw time: 12 hrs  
Current: 0.7 Amp  
Frequency: 50 Hz

Accessories: Egg holder



### S3C090P1

SINGLE DOOR REFRIGERATOR, BUILT-IN, WHITE



#### REFRIGERATOR:

Static  
Storage volume fresh food compartment: 112 litres  
Interior light  
2 adjustable glass shelves  
Glass shelf to cover fruit and vegetable container  
1 fruit and vegetables drawer

#### INNERDOOR FRIDGE:

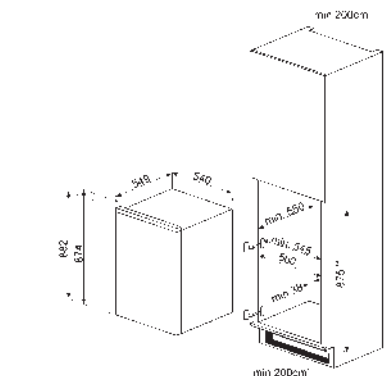
1 balcony shelf with transparent cover  
1 bottle balcony

#### FREEZER:

Storage volume frozen food compartment: 15 litres  
Freezer compartment accessories : Ice tray

Annual energy consumption: 189 KWh  
Electrical connection rating: 80 W  
Climatic class: SN, N, ST  
Freezing capacity: 2 Kg/h  
Thaw time: 12 hrs  
Current: 0.6 Amp  
Frequency: 50 Hz

Accessories: Egg holder





### S3L120P1

SINGLE DOOR REFRIGERATOR, BUILT-IN, WHITE



**REFRIGERATOR:**

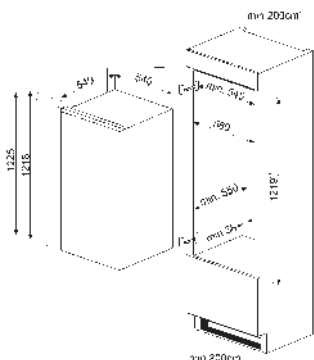
Static  
Storage volume fresh food compartment: 208 litres  
Interior light  
4 adjustable glass shelves  
Glass shelf to cover fruit and vegetable container  
2 fruit and vegetables drawers

**INNERDOOR FRIDGE:**

1 balcony shelf with transparent cover  
1 bottle balcony

Annual energy consumption: 132 KWh  
Electrical connection rating: 130 W  
Climatic class: SN, N, ST, T  
Current: 1 Amp  
Frequency: 50 Hz

Accessories: Egg holder



### S3L100P1

SINGLE DOOR REFRIGERATOR, BUILT-IN, WHITE



**REFRIGERATOR:**

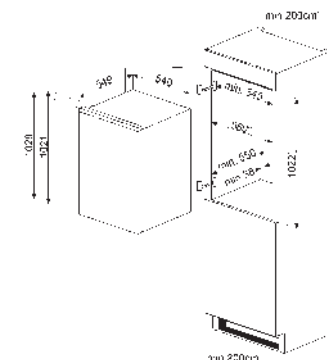
Static  
Storage volume fresh food compartment: 185 litres  
Interior light  
3 adjustable glass shelves  
Glass shelf to cover fruit and vegetable container  
1 fruit and vegetables drawer

**INNERDOOR FRIDGE:**

1 balcony shelf with transparent cover  
1 bottle balcony

Annual energy consumption: 126 KWh  
Electrical connection rating: 70 W  
Climatic class: SN, N, ST, T  
Current: 0.4 Amp  
Frequency: 50 Hz

Accessories: Egg holder



### S3L090P1

SINGLE DOOR REFRIGERATOR, BUILT-IN, WHITE



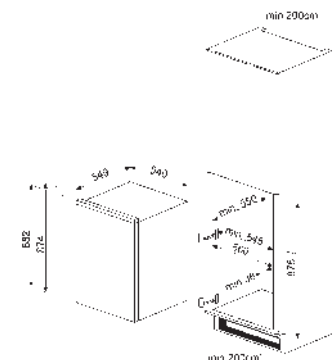
**REFRIGERATOR:**

Static  
Storage volume fresh food compartment: 146 litres  
Interior light  
3 adjustable glass shelves  
Glass shelf to cover fruit and vegetable container  
1 fruit and vegetables drawer

**INNERDOOR FRIDGE:**

Adjustable balcony storage with metal supports  
Balcony storage with metal supports  
1 balcony shelf with transparent cover  
1 bottle balcony with metal wire

Annual energy consumption: 123 KWh  
Electrical connection rating: 80 W  
Climatic class: SN, N, ST, T  
Current: 0.6 Amp  
Frequency: 50 Hz



## U3C080P1

SINGLE DOOR REFRIGERATOR/FREEZER,  
BUILT-IN, WHITE



### REFRIGERATOR:

Static  
Storage volume fresh food compartment:  
97 litres  
Interior light  
2 adjustable glass shelves  
Plastic shelf to cover fruit and vegetable  
container  
1 fruit and vegetables drawer

### INNERDOOR FRIDGE:

1 balcony shelf with transparent cover  
1 bottle balcony

### FREEZER:

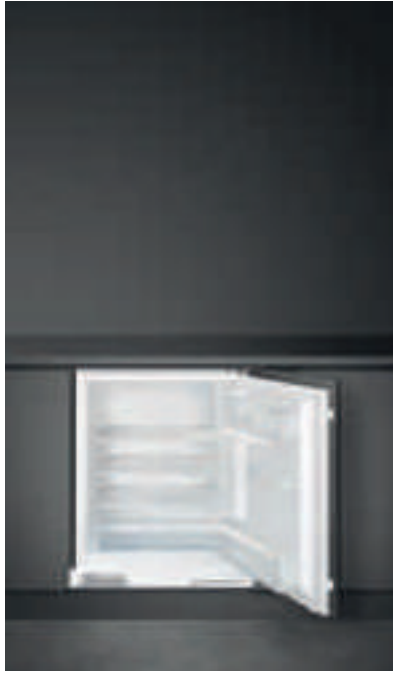
Storage volume frozen food compartment:  
17 litres  
Freezer compartment accessories : Ice tray

Annual energy consumption: 184 KWh  
Electrical connection rating: 110 W  
Climatic class: SN, N, ST  
Freezing capacity: 2 Kg/h  
Thaw time: 13 hrs  
Current: 0.9 Amp  
Frequency: 50 Hz

Accessories: Egg holder

## U3L080P1

SINGLE DOOR REFRIGERATOR/FREEZER,  
BUILT-IN, WHITE



### REFRIGERATOR:

Static  
Storage volume fresh food compartment:  
130 litres  
Interior light  
3 adjustable glass shelves  
Plastic shelf to cover fruit and vegetable  
container  
Bottle shelf  
1 fruit and vegetables drawer

### INNERDOOR FRIDGE:

1 balcony shelf with transparent cover  
1 bottle balcony

Annual energy consumption: 121 KWh  
Electrical connection rating: 110 W  
Climatic class: SN, N, ST, T  
Current: 0.8 Amp  
Frequency: 50 Hz

Accessories: Egg holder

## U3F082P

SINGLE DOOR FREEZER, UPRIGHT FREEZER,  
BUILT - IN, STATIC, WHITE



### PLUS:



Net freezing capacity: 98 litres  
Fast freezing button  
4 drawers  
Power on lamp  
Hinge sliding  
Reversible door with right hand hinge

Freezing capacity: 18 Kg/24h  
Climatic class: SN, N, ST, T  
Annual energy consumption: 200 KWh  
Electrical connection rating: 120 W

Frequency: 50 Hz  
Current: 0.8 Amp

## UD7140LSP

SINGLE DOOR REFRIGERATOR/FREEZER,  
BUILT-IN, WHITE



### REFRIGERATOR:

Static  
Storage volume fresh food compartment:  
136 litres  
Interior light  
3 adjustable glass shelves  
Glass shelf to cover fruit and vegetable  
container  
1 fruit and vegetables drawer

### INNERDOOR FRIDGE:

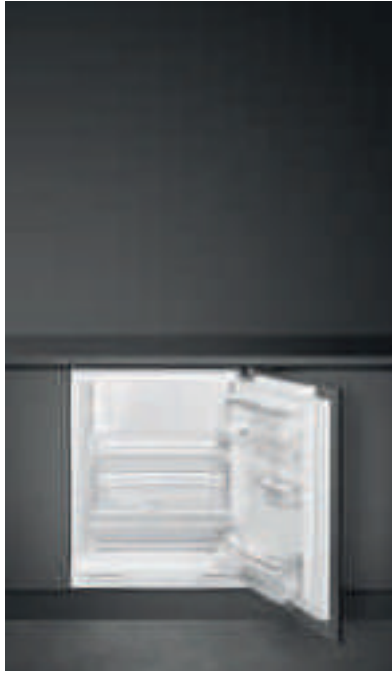
Adjustable balcony storage with metal supports  
Balcony storage with metal supports  
1 balcony shelf with transparent cover  
1 bottle balcony with metal wire

Annual energy consumption: 118 kWh  
Electrical connection rating: 110 W  
Climatic class: SN, N, ST, T  
Current: 0.8 Amp  
Frequency: 50 Hz

Accessories: Egg holder

## UD7122CSP

SINGLE DOOR REFRIGERATOR/FREEZER,  
BUILT-IN, WHITE



### REFRIGERATOR:

Static  
Storage volume fresh food compartment:  
100 litres  
Interior light  
2 adjustable glass shelves  
Glass shelf to cover fruit and vegetable  
container  
1 fruit and vegetables drawer

### INNERDOOR FRIDGE:

Adjustable balcony storage with metal supports  
Balcony storage with metal supports  
1 balcony shelf with transparent cover  
1 bottle balcony with metal wire

### FREEZER:

Storage volume frozen food compartment:  
17 litres  
Annual energy consumption: 176 kWh  
Electrical connection rating: 110 W  
Climatic class: SN, N, ST  
Freezing capacity: 2.5 Kg/h  
Thaw time: 13 hrs  
Current: 0.9 Amp  
Frequency: 50 Hz

Accessories: Egg holder

## UD7108FSEP

SINGLE DOOR FREEZER, BUILT - IN, STATIC,  
WHITE



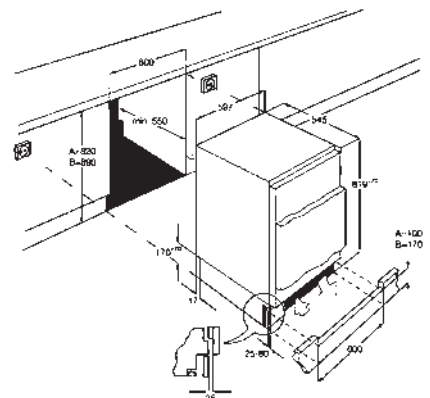
### PLUS:



Net freezing capacity: 98 litres  
Fast freezing button  
4 drawers  
Power on lamp  
Hinge door to door  
Reversible door with right hand hinge

Freezing capacity: 18 Kg/24h  
Climatic class: SN, N, ST, T  
Annual energy consumption: 189 kWh  
Electrical connection rating: 120 W

Frequency: 50 Hz  
Current: 0.8 Amp



### CV31X2PNE

SINGLE DOOR, UPRIGHT FREEZER, FREE STANDING, COMPLETELY NO-FROST, STEEL



**PLUS:**



Net freezing capacity: 280 litres  
 Fast freezing button  
 Freezer interior lighting  
 5 drawers  
 2 shelves with flap  
 Hinge standard  
 Reversible door with right hand hinge

Freezing capacity: 20 Kg/24h  
 Climatic class: SN, N, ST, T  
 Annual energy consumption: 258 KWh  
 Electrical connection rating: 75 W

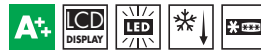
Frequency: 50 Hz  
 Voltage 220-240 V  
 Current: 0.35 Amp

### CV2902PNE

SINGLE DOOR, UPRIGHT FREEZER, FREE STANDING, COMPLETELY NO-FROST, WHITE



**PLUS:**



Net freezing capacity: 255 litres  
 Fast freezing button  
 Freezer interior lighting  
 5 drawers  
 2 shelves with flap  
 Hinge standard  
 Reversible door with right hand hinge

Freezing capacity: 20 Kg/24h  
 Climatic class: SN, T  
 Annual energy consumption: 241 KWh  
 Electrical connection rating: 80 W

Frequency: 50 Hz  
 Voltage 220-240 V  
 Current: 0.6 Amp

### CV275PNF

SINGLE DOOR, UPRIGHT FREEZER, FREE STANDING, COMPLETELY NO-FROST, WHITE



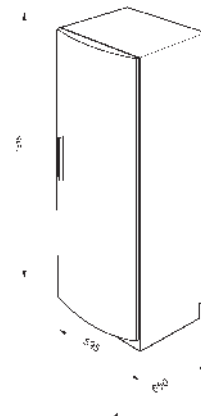
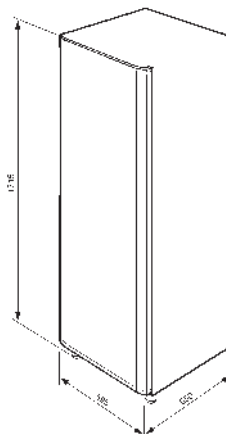
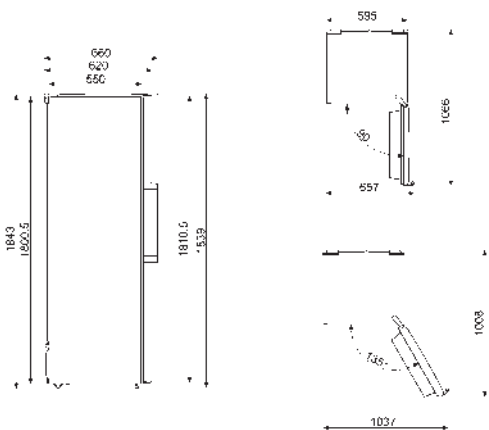
**PLUS:**



Net freezing capacity: 214 litres  
 Fast freezing button  
 4 drawers  
 2 shelves with flap  
 Power on lamp  
 Hinge standard  
 Reversible door with right hand hinge

Freezing capacity: 16 Kg/24h  
 Climatic class: SN, N, ST, T  
 Annual energy consumption: 282 KWh  
 Electrical connection rating: 85 W

Frequency: 50 Hz  
 Voltage 220-240 V  
 Current: 0.4 Amp



## CV26PXNF4

SINGLE DOOR, UPRIGHT FREEZER, FREE STANDING, COMPLETELY NO-FROST, STEEL



**PLUS:**



Net freezing capacity: 251 litres  
Fast freezing button  
5 drawers  
2 shelves with flap  
Hinge standard  
Reversible door with left hand hinge

Freezing capacity: 15 Kg/24h  
Climatic class: N, T  
Annual energy consumption: 307 KWh  
Electrical connection rating: 205 W

Frequency: 50 Hz  
Voltage 220-240 V  
Current: 0.8 Amp

## CV215PNF1

SINGLE DOOR, UPRIGHT FREEZER, FREE STANDING, COMPLETELY NO-FROST, WHITE



**PLUS:**



Net freezing capacity: 157 litres  
4 drawers  
1 shelf with flap  
Power on lamp  
Hinge standard  
Reversible door with right hand hinge

Freezing capacity: 10 Kg/24h  
Climatic class: SN, T  
Annual energy consumption: 242 KWh

Frequency: 50 Hz  
Voltage: 230 V  
Current: 0.40 Amp

## CV102AP

SINGLE DOOR FREEZER, FREE STANDING, STATIC, WHITE



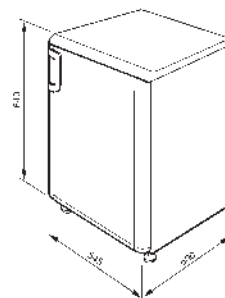
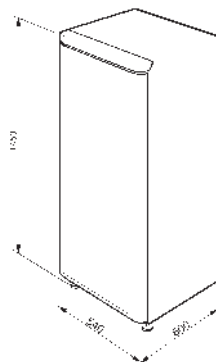
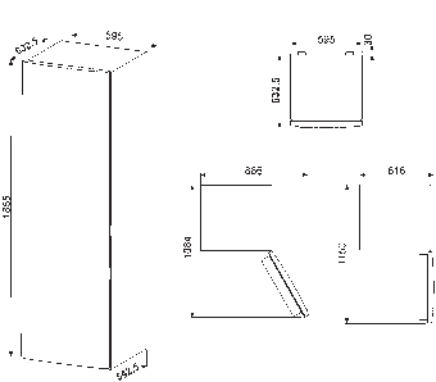
**PLUS:**



Net freezing capacity: 85 litres  
2 drawers  
1 shelf with flap  
Ice tray

Freezing capacity: 10 Kg/24h  
Climatic class: SN, T  
Annual energy consumption: 189 KWh

Frequency: 50 Hz  
Voltage: 230 V  
Current: 0.35 Amp



## CO402

CHEST FREEZER, FREE STANDING, STATIC,  
WHITE



### PLUS:



Net freezing capacity: 350 litres  
Fast freezing button  
Freezer interior lighting  
Power on lamp

Freezing capacity: 22 Kg/24h  
Climatic class: SN, T  
Annual energy consumption: 234 KWh  
Electrical connection rating: 120 W

Frequency: 50 Hz  
Voltage 220-240 V  
Current: 0.70 Amp

## CO302

CHEST FREEZER, FREE STANDING,, STATIC,  
WHITE



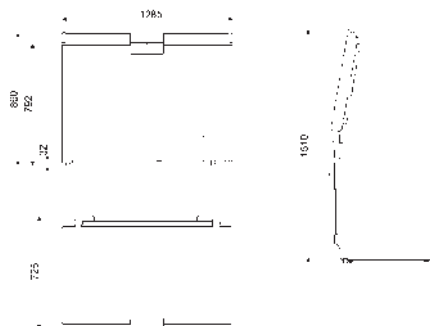
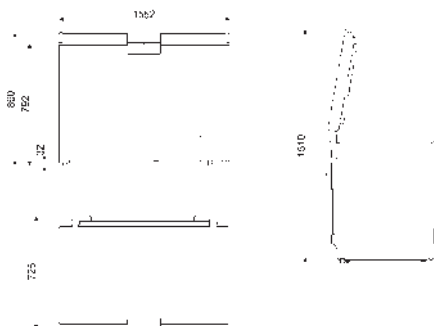
### PLUS:



Net freezing capacity: 284 litres  
Fast freezing button  
Freezer interior lighting  
Power on lamp

Freezing capacity: 17 Kg/24h  
Climatic class: SN, T  
Annual energy consumption: 208 KWh  
Electrical connection rating: 110 W

Frequency: 50 Hz  
Voltage 220-240 V  
Current: 0.65 Amp



## CO232

CHEST FREEZER, FREE STANDING, STATIC, WHITE



### PLUS:



Net freezing capacity: 230 litres  
Fast freezing button  
Freezer interior lighting  
Power on lamp

Freezing capacity: 12 Kg/24h  
Climatic class: SN, T  
Annual energy consumption: 186 KWh  
Electrical connection rating: 100 W

Frequency: 50 Hz  
Voltage 220-240 V  
Current: 0.6 Amp

## CO142

CHEST FREEZER, FREE STANDING, STATIC, WHITE



### PLUS:



Net freezing capacity: 129 litres  
Fast freezing button  
Freezer interior lighting  
Power on lamp

Freezing capacity: 7 Kg/24h  
Climatic class: SN, T  
Annual energy consumption: 146 KWh  
Electrical connection rating: 110 W

Frequency: 50 Hz  
Voltage 220-240 V  
Current: 0.6 Amp

## CO103

CHEST FREEZER, FREE STANDING, STATIC, WHITE



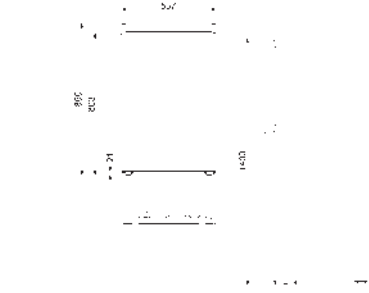
### PLUS:



Net freezing capacity: 104 litres  
Fast freezing button  
Freezer interior lighting  
Power on lamp

Freezing capacity: 4 Kg/24h  
Climatic class: SN, T  
Annual energy consumption: 173 KWh  
Electrical connection rating: 110 W

Frequency: 50 Hz  
Voltage 220-240 V  
Current: 0.6 Amp



## MFC

COLONIALE REFRIGERATORS  
ACCESSORIES



Gold set of handles

## MFCO

COLONIALE REFRIGERATORS  
ACCESSORIES



Brass set of handles

## KMOFQ7

HANDLE SET



Suitable for FQ60CAO and FQ60CPO

## KMOFQ8

HANDLE SET



Suitable for FQ60CAO and FQ60CPO

## REFLKA 1

LINKING STRIP



Linking Strip for Built-in Luxury models

## REFLKB 1

LINKING STRIP



Linking Strip for Built-in Luxury models

## REFLK6075

CONNECTING KIT



Connecting kit 60 cm + 75 cm, with grid  
and kick plate

## REFLK6090

CONNECTING KIT



Connecting kit 60 cm + 90 cm, with grid  
and kick plate

## REFLK

CONNECTING KIT

Connecting kit



## REFRIGERATOR ACCESSORIES

	MFC	MFCO	KMOFQ7	KMOFQ8	REFLKA1	REFLKB1	REFLK6075	REFLK6090	REFLK
RF396RSIX					•			•	
RF396LSIX					•			•	
RF376RSIX					•		•		
RF376LSIX					•		•		
FQ60CAO			•	•					
FQ60CPO			•	•					
FA860P	•	•							
FA35PX4									•
RI96RSI						•			
RI96LSI						•			
RI76RSI						•			
RI76LSI						•			
CV26PXNF4									•
WF36LDX					•		•	•	
WF36RDX					•		•	•	
WI66LS						•			
WI66RS						•			

# WINE COOLER

Smeg wine coolers add to your house the charm of a real wine cellar, keeping different bottles at optimal temperature, ready for your guests.



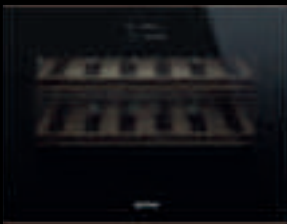
WINE COOLER

# Wine culture

*designed for connoisseurs*

Smeg wine coolers are available in various aesthetics, sizes and fittings that cater for the needs of a discerning customer.

WINE COOLER



**BUILT-IN**



**UNDERWORKTOP  
BUILT-IN**



**FREESTANDING**



**UNDERWORKTOP  
FREESTANDING**

## TAILOR-MADE PROFESSIONAL PRESERVATION

# *luxury cooling*

Alongside the refrigerators, Smeg presents wine coolers developed for preserving fine wines and impressing guests. Equipped with spacious shelves finished in natural wood they can store different shapes and sizes of bottles, from classic Bordeaux blends to Magnums (1,5 l), in two compartments.



### ADJUSTABLE TEMPERATURE

It is possible to independently adjust the temperature in order to ensure the appropriate environment for different bottles: from 4 °C to 18 °C in both compartments.

### PERFECT PRESERVATION

Finished with UV-ray resistant glass and with a special anti-vibration compressor, the wine cooler protects your bottles in a safe way for as long as you like.

### MAXIMUM CAPACITY

The top compartment can store up to 30 bottles whilst the lower compartment can hold up to 15 bottles.

### MULTIZONE COMPARTMENT AT THE BOTTOM



WINE COOLER

Luxury wine coolers can easily be combined with both freestanding and built-in refrigerators, by using a linking trim which provides a great stylistic effect.



## COLLECTION OF WINE COOLERS

# *inspired by italian wineries*

Italy is a country with an enormous variety of wines. The charm of the wine culture and the importance of preserving it in the right way to develop and include in its range these new wine cooler – technological and designer masterpieces.

### EXTERNAL CONTROL PANEL

Convenient touch screen will easily allow you to change the temperature, control the ventilation and lighting inside without the need to open the door.

**ELECTRONIC TEMPERATURE CONTROL**  
High-precision electronic control system allows you to keep a constant temperature from 5 ° to 20 ° C - thus maintaining the best quality of wine.



### FAN

Smeg wine coolers are equipped with a special ventilation function, which allows you to keep an ideal level of humidity in the atmosphere.

### GLASS WITH UV-PROTECTION

Thanks to the opaque Eclipse black glass the wine is safe from UV-rays.

### SOMMELIER DRAWER

This unique drawer is the must-have complement to keep all the sommelier tools in a refined storage compartment made by natural oak. Available in different aesthetics and finishings.

WINE COOLER



Thanks to the smart shape of the shelves, bottles of various diameters and heights can be stored inside the wine cooler: from 18 cm bottles of Bordeaux wine to heavy bottles of champagne or Magnum.

In a 45 cm high cooler, the shelves offer also the possibility of positioning a few big bottles from side to side.

UTMOST CARE FOR WINE

## *two independent zones*

Advanced technologies are used in Smeg new wine coolers to create the most favorable environment and to control the chemical and biological processes that occur in these beverages. The materials, used in their construction, are the result of thorough research, conducted in collaboration with leading sommeliers.

### **REMOVABLE OAK SHELVES**

This valuable natural wood has been used since the ancient times for the storage of wine.

### **FLEXIBILITY**

Thanks to the increased space between the shelves, bottles of various shapes can be stored in the wine cooler or up to 38 pieces of classic Bordeaux wine bottles.

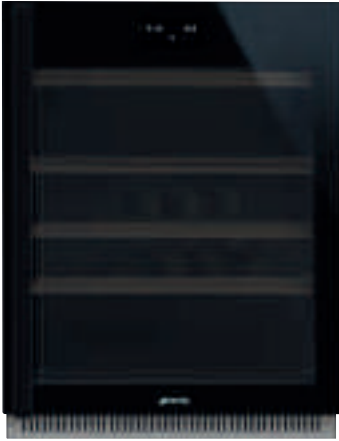
### **2 INDEPENDENT ZONES**

Smeg built-in undercounter coolers have 2 independent temperature zones, which can be adjusted by means by the display located on the outer glass of the door.



## CVI638RWN2

BUILT-IN WINE COOLER, BLACK, 60 CM,  
DOLCE STIL NOVO, FULL GLASS



Right hinge position  
Standard Hinge  
Functions display: Temperature alarm,  
Temperature value  
Touch control  
WiFi Connectivity  
Remote control via SmegConnect App

Built-in Niche: 82-87 cm

Door opening type: With handle

**Maximum storage capacity (bottles 0,75lt): 38**

Anti-UV door glass  
Internal light: Led  
Number of removable shelves: 3  
Removable shelves on telescopic guide rails  
Number of fixed shelves: 2  
2 Adjustable temperature zones  
Electronic temperature control  
**Temperature range: 5-20 °C**  
Temperature Alarm  
Door open alarm  
Control lock  
Activated charcoal filter  
Integrated heating element  
Low vibration compressor  
Adjustable feet: 2 Front + 2 Rear  
Automatic Defrost

## CVI618RWR2

BUILT-IN WINE COOLER, BLACK, 60 CM,  
DOLCE STIL NOVO, FULL GLASS



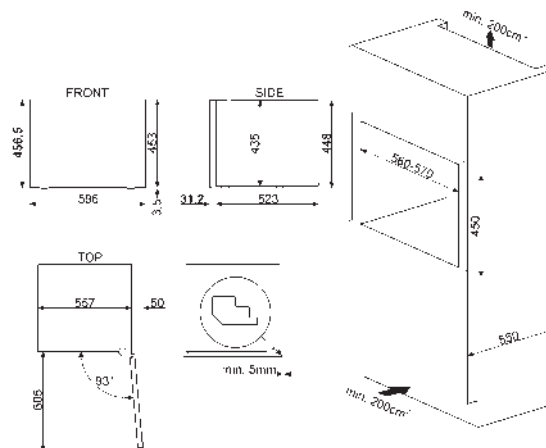
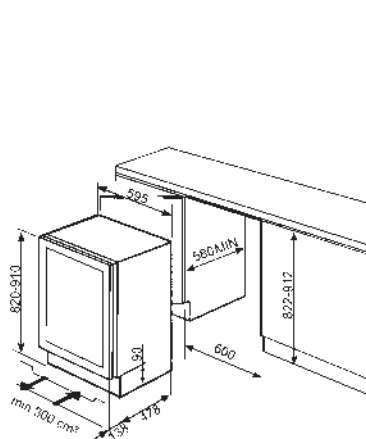
Right hinge position  
Standard Hinge  
Functions display: Temperature alarm,  
Temperature value  
Noise level 42 db  
Touch control  
WiFi Connectivity  
Remote control via SmegConnect App

45

Anti-UV door glass  
Internal light: Led  
Number of removable shelves: 2  
Removable shelves on telescopic guide rails  
Number of fixed shelves: 1  
Electronic temperature control  
**Temperature range: 5-20 °C**  
Temperature Alarm  
Door open alarm  
Control lock  
Activated charcoal filter  
Integrated heating element  
Low vibration compressor  
Automatic Defrost

### FLEXIBLE REMOVABLE OAK SHELVES

*The valuable natural wood has been used since the ancient times for the storage of wine*







DOJCE STIL  
NOVO  
**WINE COOLER**

CVI618WNR2

## CVI338RWX2

BUILT-IN WINE COOLER , STAINLESS STEEL AND GLASS , 60 CM, CLASSIC, GLASS WITH 2 HORIZONTAL STRIPS , FINGER PROOF



Storage volume fresh food compartment: 103 l  
Right hinge position  
Standard Hinge  
Functions display: Temperature alarm, Temperature value  
Touch control  
WIFI Connectivity  
Remote control via SmegConnect App

BuiltIn Niche: 82-87 cm

Door opening type: With handle

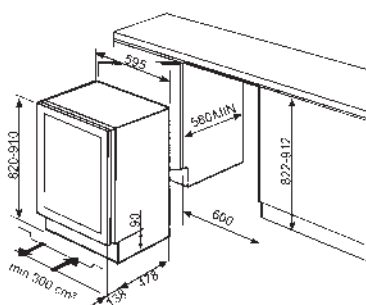
**Maximum storage capacity (bottles 0,75lt): 38**

Anti-UV door glass  
Internal light: Led  
3 removable shelves  
Removable shelves on telescopic guide rails  
2 fixed shelves  
2 Adjustable temperature zones  
Electronic temperature control  
**Temperature range: 5-20 °C**  
Temperature Alarm  
Door open alarm  
Control lock  
Activated charcoal filter  
Integrated heating element  
Low vibration compressor  
Adjustable feet: 2 Front + 2 Rear  
Automatic Defrost

### ALSO AVAILABLE:

CVI338LWX2

Left hinge



## CVI318RWX2

BUILT-IN WINE COOLER , STAINLESS STEEL AND GLASS , 60 CM, CLASSIC, GLASS WITH 2 HORIZONTAL STRIPS , FINGER PROOF



Storage volume fresh food compartment: 46 l  
Right hinge position  
Standard Hinge  
Functions display: Temperature alarm, Temperature value  
Noise level 42 db  
Touch control  
WIFI Connectivity  
Remote control via SmegConnect App

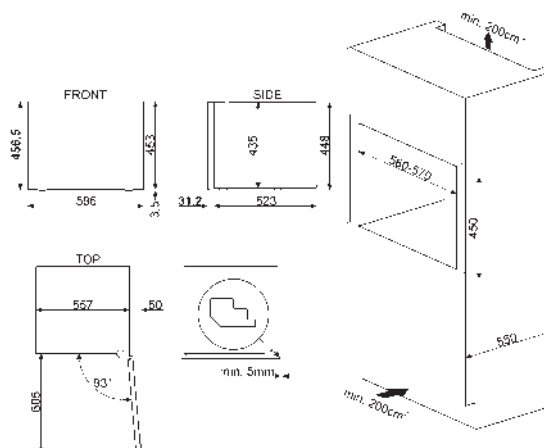
BuiltIn Niche 45 cm

Anti-UV door glass  
Internal light: Led  
Number of removable shelves: 2  
Removable shelves on telescopic guide rails  
Number of fixed shelves: 1  
Electronic temperature control  
**Temperature range: 5-20 °C**  
Temperature Alarm  
Door open alarm  
Control lock  
Activated charcoal filter  
Integrated heating element  
Low vibration compressor  
Automatic Defrost

### ALSO AVAILABLE:

CVI318LWX2

Left hinge





CLASSICA  
**WINE COOLER**

CVI338RWX2

## CVI118RWN2

BUILT-IN WINE COOLER , BLACK , 60 CM,  
LINEA, FULL GLASS



## CVI118RWS2

BUILT-IN WINE COOLER , SILVER GLASS ,  
60 CM, LINEA, FULL GLASS



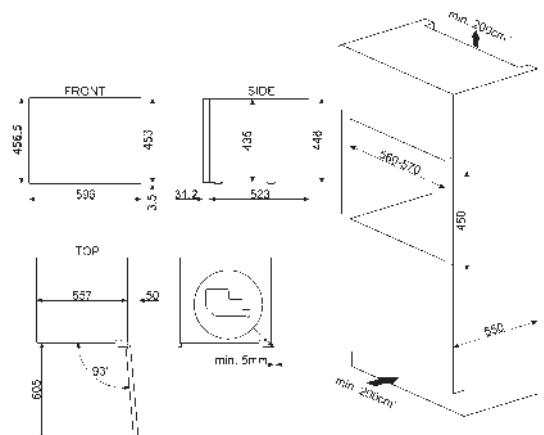
- WIFI Connectivity
- Remote control via SmegConnect App
- Storage volume fresh food compartment: 46 l
- Right hinge position
- Variable hinge
- Functions display: Temperature alarm,  
Temperature value
- Noise level 42 db
- Touch control
- Anti-UV door glass
- Internal light: Led
- Number of removable shelves: 2
- Removable shelves on telescopic guide rails
- Number of fixed shelves: 1
- Electronic temperature control
- Temperature range: 5-20 °C**
- Temperature Alarm
- Door open alarm
- Control lock
- Activated charcoal filter
- Integrated heating element
- Low vibration compressor
- Automatic Defrost



**CVI118LWN2**  
Left hinge position



**CVI118LWS2**  
Left hinge position





WINE COOLER LINEA

CVI118RWN2

## CVF338X

FREESTANDING WINE COOLER , STAINLESS STEEL AND GLASS , 60 CM, CLASSIC, GLASS WITH 2 HORIZONTAL STRIPS , FINGER PROOF



Right hinge position  
 Functions display: Temperature alarm,  
 Temperature value  
 Noise level db  
 Touch control

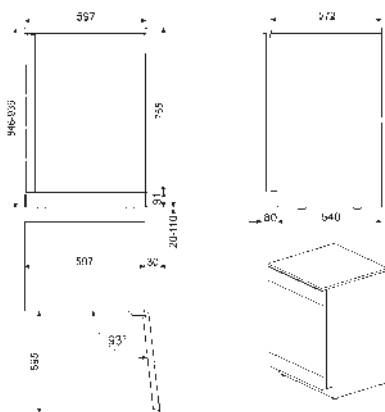
Door opening type: With handle

**Maximum storage capacity (bottles 0,75lt): 38**

Anti-UV door glass  
 Internal light: Led  
 Number of removable shelves: 3  
 Removable shelves on telescopic guide rails  
 Number of fixed shelves: 2  
 2 Adjustable temperature zones  
 Electronic temperature control  
**5-20 °C**  
 Temperature Alarm  
 Door open alarm  
 Control lock  
 Activated charcoal filter  
 Integrated heating element  
 Low vibration compressor  
 2 Front + 2 Rear  
 Automatic Defrost

### ALSO AVAILABLE:

CVF338XS  
 Left hinge



## CVF318X

FREESTANDING WINE COOLER , STAINLESS STEEL AND GLASS , 60 CM, CLASSIC, GLASS WITH 2 HORIZONTAL STRIPS , FINGER PROOF



Right hinge position  
 Functions display: Temperature alarm,  
 Temperature value  
 Touch control

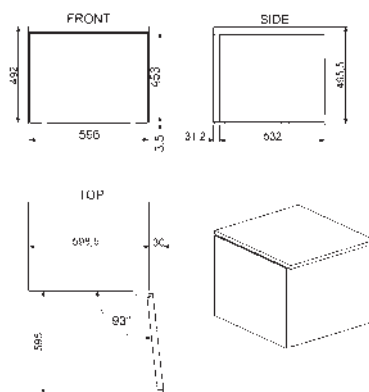
Door opening type: with push pull system

**Maximum storage capacity (bottles 0,75lt): 18**

Anti-UV door glass  
 Internal light: Led  
 2 removable shelves  
 Removable shelves on telescopic guide rails  
 1 fixed shelf  
 Electronic temperature control  
**Temperature range: 5-20 °C**  
 Temperature Alarm  
 Door open alarm  
 Control lock  
 Activated charcoal filter  
 Integrated heating element  
 Low vibration compressor  
 Automatic Defrost

### ALSO AVAILABLE:

CVF318XS  
 Left hinge





## WI66RS

BUILT-IN WINE COOLER , 60 CM, DOOR WITH GLASS , RIGHT HINGE POSITION



## WI66LS

BUILT-IN WINE COOLER , 60 CM, DOOR WITH GLASS , LEFT HINGE POSITION



Total gross volume: 312 lt  
Total storage volume: 278 lt  
Storage volume fresh food compartment: 147 lt  
Door on door  
Functions display: Temperature alarm,  
Temperature value  
Noise level 42 db  
Touch control

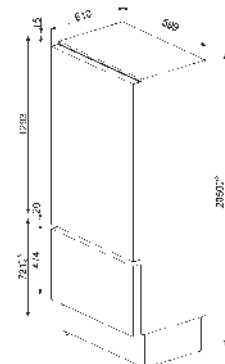
Built-In Niche: 200 cm

**Maximum storage capacity (bottles 0,75lt): 54**

Anti-UV door glass  
Internal light: Led  
9 removable shelves  
Removable shelves on telescopic guide rails  
2 Adjustable temperature zones  
Electronic temperature control  
**Temperature range: 4-18 °C**  
Humidity level setting: In the lower compartment  
Temperature Alarm  
Door open alarm  
Control lock  
Activated charcoal filter  
Adjustable feet: Yes  
Automatic Defrost

### PERFECT PRESERVATION

*Finished with UV-ray resistant glass and with the compressor designed with particular care, the wine cooler protects bottles from harmful vibrations and ensures better preservation of the drink*







WINE COOLER BUILT-IN

WI66RS

## WF366RDX

FREESTANDING WINE COOLER , 60 CM,  
CLASSIC, STAINLESS STEEL AND GLASS ,  
RIGHT HINGE POSITION



## WF366LDX

FREESTANDING WINE COOLER , 60 CM,  
CLASSIC, STAINLESS STEEL AND GLASS , LEFT  
HINGE POSITION



### ADJUSTABLE TEMPERATURE

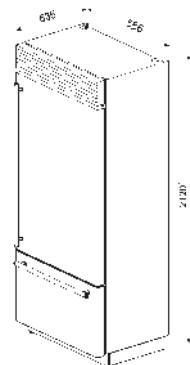
*It is possible to independently adjust the temperature in order to ensure the appropriate environment for different bottles: from 4°C to 18°C in both compartments*

Total storage volume: 59  
Variable hinge  
Functions display: Temperature alarm,  
Temperature value  
Noise level 42 db  
Touch control

Door opening type: With handle

**Maximum storage capacity (bottles 0,75lt): 54**

Anti-UV door glass  
Internal light: Led  
Number of removable shelves: 9  
Removable shelves on telescopic guide rails  
2 Adjustable temperature zones  
Electronic temperature control  
**Temperature range: 4-18 °C**  
Humidity level setting: In the lower compartment  
Temperature Alarm  
Door open alarm  
Control lock  
Activated charcoal filter  
Adjustable feet: Yes  
Automatic Defrost





WINE COOLER FREE-STANDING

WF366RDX

## SCV115A

FREESTANDING WINE COOLER , 60 CM,  
CLASSIC, STAINLESS STEEL AND GLASS ,  
FINGER PROOF , RIGHT HINGE POSITION



## SCV115AS

FREESTANDING WINE COOLER , 60 CM,  
CLASSIC, STAINLESS STEEL AND GLASS ,  
FINGER PROOF , LEFT HINGE POSITION

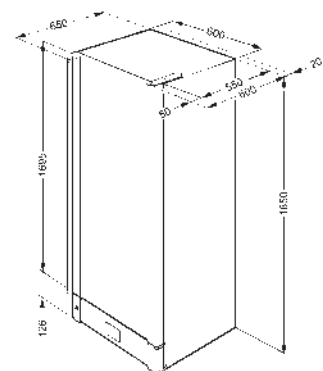


Total storage volume: 368 l  
Standard Hinge  
Noise level 42 db  
Control buttons

Door opening type: With handle

**Maximum storage capacity (bottles 0,75lt):  
197**

Anti-UV door glass  
Internal light: Led  
5 removable shelves  
Number of removable and folding shelves: 1  
Number of fixed shelves: 1  
2 Adjustable temperature zones  
Electronic temperature control  
**Temperature range: 5-22 °C**  
Temperature Alarm  
Door open alarm  
Control lock  
Activated charcoal filter  
Integrated heating element  
Low vibration compressor  
2 Front Adjustable feet  
Automatic Defrost





WINE COOLER FREE-STANDING

SCV115A

## CPS615NR

WARMING DRAWER, SOMMELIER , COPPER FINISHING, DOLCE STIL NOVO



## CPS615NX

WARMING DRAWER, SOMMELIER , STAINLESS STEEL FINISHING, DOLCE STIL NOVO



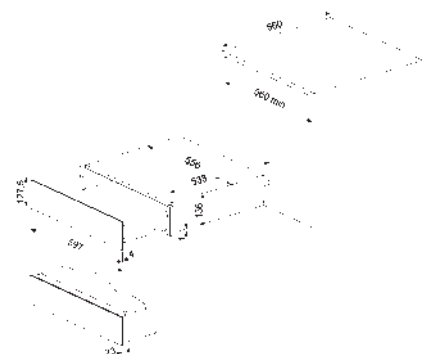
Glass type: Eclipse, with horizontal strip

**Opening mechanism: Push-pull**

Max weight allowance: 15 kg

Commercial height: 15 cm

Accessories included: Slavonia durmast wooden shelf, Wine pump, 2 corks, Sparkling wines cork, Cork to pour wine, Anti-drip cork, Solid steel cork for sparkling wines, Champagne/ sparkling wine pliers, Corkscrew sommelier, Red wines cork, Wine thermometer with slipcase, Wine funnel with wooden handle, Silicon antislip mat





DOUCE STIL  
NOVO  
**WARMING  
DRAWER**

CTPS313X

## CPS115N

WARMING DRAWER, SOMMELIER , LINEA



## CPS115S

WARMING DRAWER, SOMMELIER , LINEA , SILVER GLASS



## CPS315X

WARMING DRAWER, SOMMELIER , CLASSIC , FINGER FRIENDLY STAINLESS STEEL

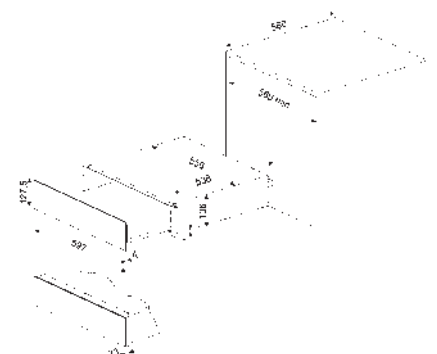


### Opening mechanism: Push-pull

Max weight allowance: 15 kg

Commercial height: 15 cm

Accessories included: Slavonia durmast wooden shelf, Wine pump, 2 corks, Sparkling wines cork, Cork to pour wine, Anti-drip cork, Solid steel cork for sparkling wines, Champagne/ sparkling wine pliers, Corkscrew sommelier, Red wines cork, Wine thermometer with slipcase, Wine funnel with wooden handle







LINEA  
WARMING  
DRAWER

CVI618NR

# DISHWASHERS

Smeg presents a range of dishwashers, designed to perform extraordinary washing results with minimum use of energy and water. Very quiet and safe, Smeg dishwashers are one of the best companion in any kitchen.



# Wide choice

*stylish, innovative and spectacular*

*freestanding*

A freestanding dishwasher can be a good choice in a kitchen or in a utility room, when you wish to be free to play with any style and change position of the appliance easily.



HIDDEN CONTROL PANEL



VISIBLE CONTROL PANEL



50'S RETRO STYLE

## *built-in*

Smeg built-in dishwashers perfectly suit to any kitchen and can be combined with other Smeg appliances. Available in 90, 60 or 45 cm width, Smeg dishwashers are incredibly versatile in terms of loading capacity.



VISIBLE CONTROL PANEL



HIDDEN CONTROL PANEL



STAINLESS STEEL DOOR



50'S RETRO STYLE

# QUALITY AND PERFORMANCE

## *smart choice*



### TOTAL GREEN

High performance and low consumption are features of all Smeg dishwashers. Special focus is placed on obtaining the highest energy efficiency class rating in order to help the environment and improve the quality of your life.



### ENERSAVE

At the end of the drying cycle a special device automatically opens the door a few centimetres to ensure perfect drying. This can save up to 20% of energy. This option is activated automatically when you select any mode (except for those cycles where drying is not provided). If you wish, you can deactivate the option before the program start.



### ORBITAL WASH SYSTEM

Orbital wash system consists of a double spray arm, with contra-rotating action, which distributes water evenly throughout the cavity, achieving excellent washing results.



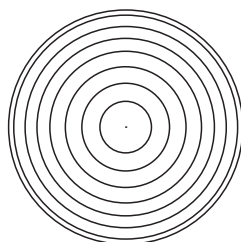
### SWING WASH SYSTEM

The Swing Wash spray system ensures complete coverage of all areas within the cavity of the washing, to deliver excellent wash results and a reduction of the water consumption.

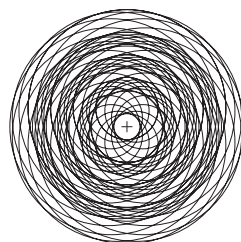


### PLANETARIUM WASH SYSTEM

Planetarium wash system provides complete coverage of the internal cavity of the dishwasher, thanks to the eccentric rotation of the spray arm on its base.



TRADITIONAL WASH SYSTEM PATTERN



PLANETARIUM WASH SYSTEM PATTERN

# MAXIMUM FLEXIBILITY

## *best performance*



### **GREAT FLEXIBILITY**

Smeg dishwashers are available in a choice of 7, 10, 12 or 14 place settings, with a great flexibility of placement in the dishwasher.



### **FLEXIDUO CUTLERY BASKET**

The new third basket for cutlery FlexiDuo allows you to place the dishes with maximum convenience and to achieve the best cleaning results. It consists of 2 separate and movable sections which can be adjusted individually or even removed entirely depending on your loading needs.

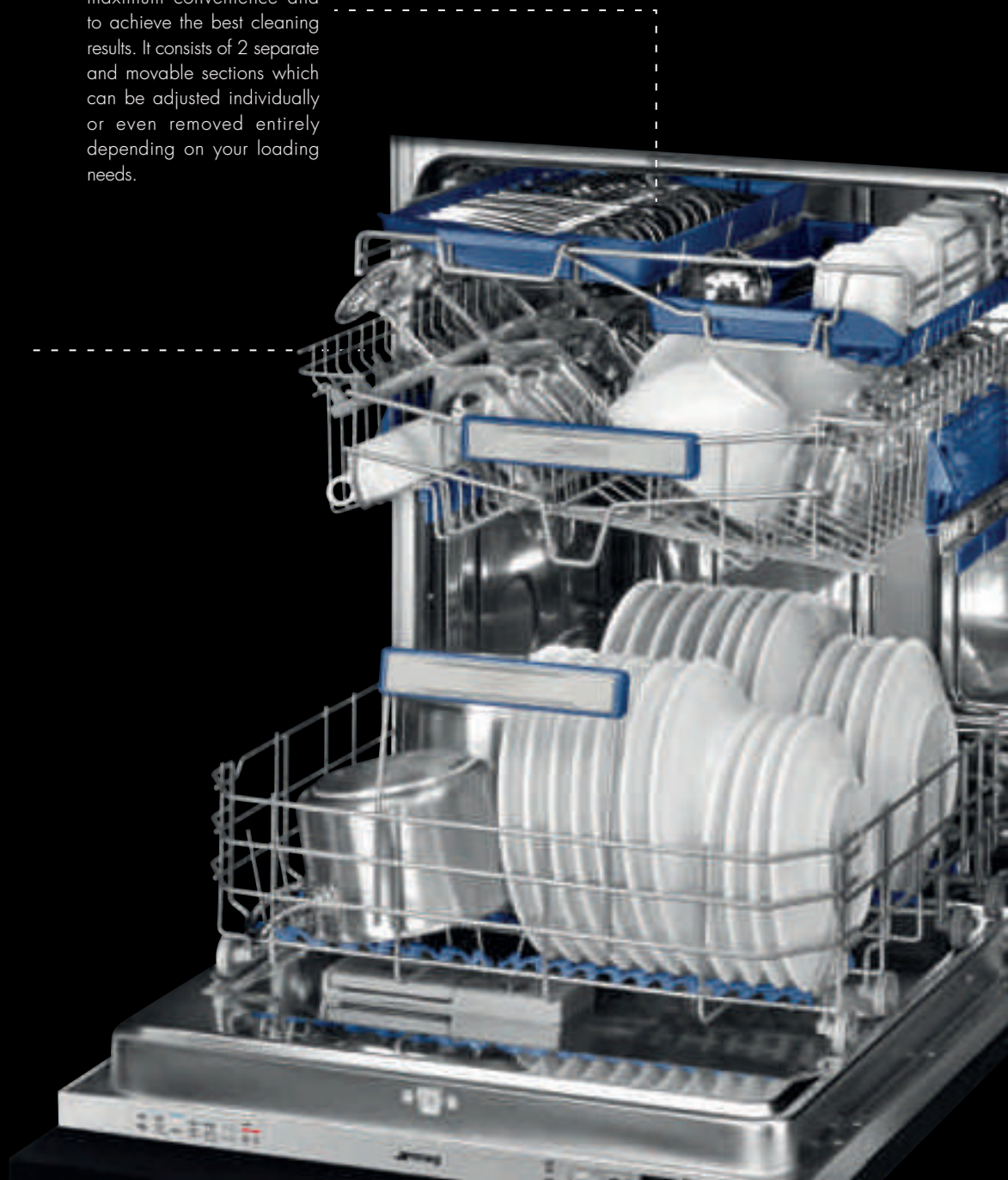
### **ADJUSTABLE SECOND BASKET**

The second basket can be settled on 3 different levels even when the basket is loaded, in order to adjust the space between the baskets according to your needs. The system allows you to load plates into the lower basket with a diameter up to 30 cm.



### **HALF LOAD FLEXIZONE**

This function gives you the freedom to wash a small amount of dishes, placing them in any baskets, saving energy, water and time.



# FUNCTIONAL SOLUTIONS

## *innovative*



### PROFESSIONAL USE

This option transforms your domestic dishwasher into a Semi-Professional machine and activates programs which significantly reduce the washing time.



### NOISE LEVEL

Smeg offers some of the most silent dishwashers on the market. Thanks to its newly designed hydraulic system, the shape of the tank and the use of high-performance motors, the top-of-the-range model reach a noise level of 39 dB(A).



### INVERTER TECHNOLOGY

The top-of-the-range models are equipped with a state-of-the-art Inverter motor which guarantees longer durability, efficiency, reduction in water consumption and the lowest noise level.



### QUICK TIME

The Quick Time option can reduce the washing cycle duration by almost 50%. With the Ultraclean option, this function allows to wash a full load in less than an hour, saving time without giving up to great washing results.



### TOTAL ACQUASTOP

Aquastop Total System helps to avoid flooding as a result of water leakages.



### SMART OPENING

Some Smeg dishwashers have an automatic door opening function and are suitable for handleless kitchen units, since no handle is needed.

The door is opened by pressing (2-3 seconds) the upper part of the facade.



## FUNCTIONAL SOLUTIONS

# *features*



**ACTIVE  
LIGHT**

### **ACTIVE LIGHT**

Some fully integrated Smeg dishwashers are equipped with Active Light: a led which projects on the floor a red light, while the appliance is running. This option allows the consumer to immediately understand to know when machine is still running, without opening the doors.

At the end, the light automatically turns off.



### **ANTI-DRIP SYSTEM**

The new blue anti-drip inserts, provided on the lower basket, improve the drying results, avoiding drips between dish and basket.





## STATE-OF THE-ART

# *priority to innovation*

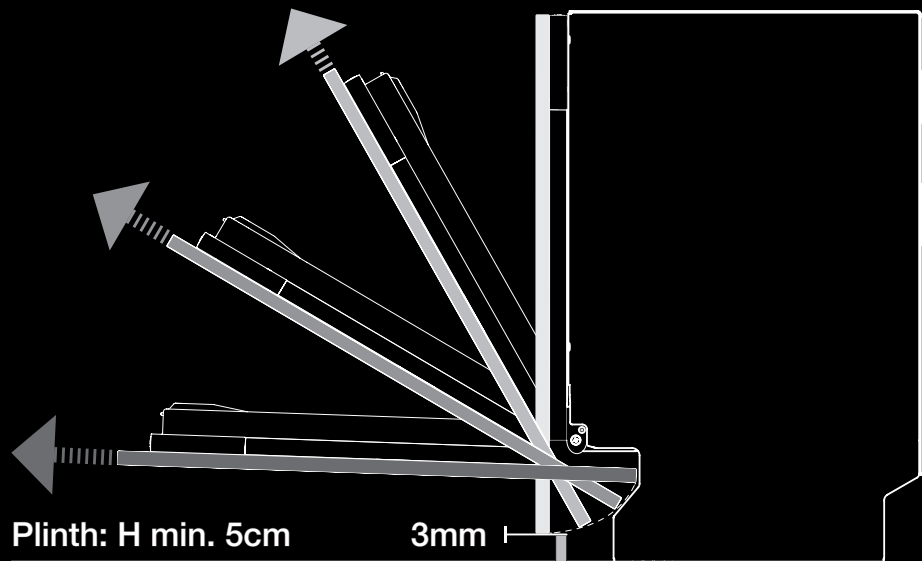
Innovation and research are the Smeg primary aims to fully satisfy the customer. To furnish the new dishwasher range, with its functional and technological features, represents the best choice to furnish the kitchen.

**FLEXI  
FIT**

### **FLEXI-FIT SYSTEM**

The new Flexifit hinge system eases the sliding of the panel on the dishwasher door. Thanks to this innovative system, the plinth can be between 5 and 21,5 cm high, and the panel can be installed just 3 mm away from the plinth.

The dishwasher will be perfectly harmonised with the furniture.



### **ADJUSTABLE FOOT**

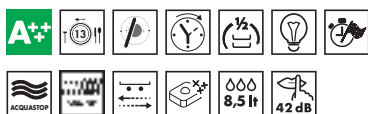
A screw on the plinth allows a quick adjustment of the rear foot to level the dishwasher even after being positioned in its slot.

## LVFABRD

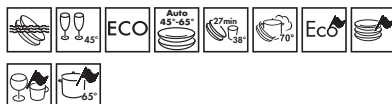
DISHWASHER, FREESTANDING, RED, 60 CM  
, 50'S STYLE



### PLUS AND OPTIONS:



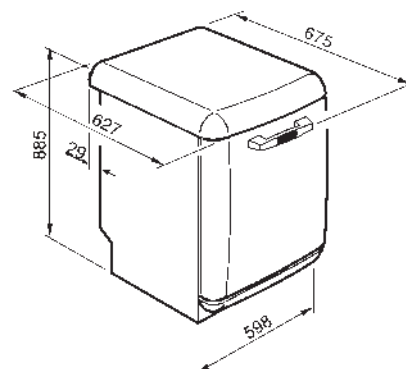
### PROGRAMS:



13 place settings  
Number of programs: 5 + 5 quick programs  
Planetarium washing system  
Energy saving option EnerSave A+++  
Buffer memory  
Display: Delayed start display  
Delay timer option up to 9 hours, with automatic soak  
Visual indicator: salt and rinse aid  
Acoustic signal of time to end  
Varied distribution 1/2 load option FlexiZone  
Stainless Steel basket with colored coordinating components  
Height adjustable upper basket on three horizontal levels  
Upper basket with central fixed racks  
Upper basket with EasyGlide System  
Lower basket with double foldable racks  
13 place setting sliding cutlery basket  
Lower basket with anti-drop insert  
Single hot/cold water max 60°C alimentation - energy save up to 35%

Annual water consumption: 2380 l/year  
Annual energy consumption: 230 kWh/year  
Noise level: 42 dB (A) RE 1 pW

Current: 10 A  
Frequency: 50 Hz  
Voltage: 220-240 V



**LVFABCR**

DISHWASHER, FREESTANDING, CREAM, 60 CM , 50'S STYLE



**LVFABPB**

DISHWASHER, FREESTANDING, PASTEL BLUE, 60 CM , 50'S STYLE



**LVFABPK**

DISHWASHER, FREESTANDING, PINK, 60 CM , 50'S STYLE



**LVFABLI**

DISHWASHER, FREESTANDING, LIME GREEN, 60 CM , 50'S STYLE



**LVFABOR**

DISHWASHER, FREESTANDING, ORANGE, 60 CM , 50'S STYLE



**LVFABBL**

DISHWASHER, FREESTANDING, BLACK, 60 CM , 50'S STYLE



**LVFABSV**

DISHWASHER, FREESTANDING, SILVER, 60 CM , 50'S STYLE

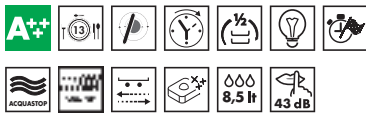


## LVS43STXIN

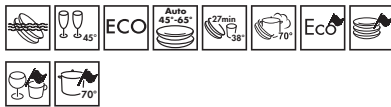
CLASSICA, FREESTANDING



### PLUS AND OPTIONS:



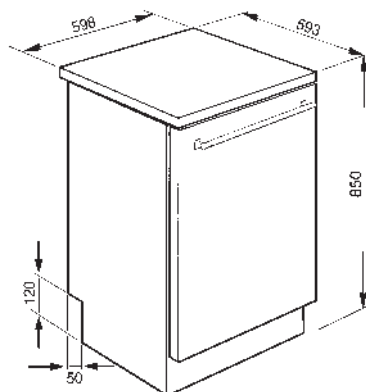
### PROGRAMS:



13 place settings  
 Number of programs: 5 + 5 quick programs  
 Planetarium washing system  
 Energy saving option EnerSave A+++  
 Buffer memory  
 Display: Delayed start display, Program duration display, Time to end display  
 Delay timer option up to 24 hours, with automatic soak  
 Visual indicator: salt and rinse aid  
 Light, with acoustic signal of time to end  
 Varied distribution 1/2 load option FlexiZone  
 Stainless Steel basket with grey components  
 Height adjustable upper basket on three horizontal levels  
 Upper basket with EasyGlide System  
 Lower basket with double foldable racks  
 13 place setting sliding cutlery basket  
 Lower basket with anti-drop insert  
 Single hot/cold water max 60°C alimentionation - energy save up to 35%

Annual water consumption: 2380 l/year  
 Annual energy consumption: 230 kWh/year  
 Noise level: 43 dB (A) RE 1 pV

Current: 10 A  
 Frequency: 50 Hz  
 Voltage: 220-240 V

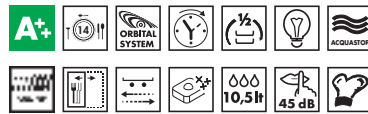


## LP364XS

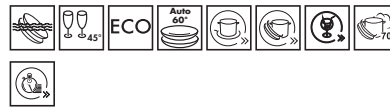
SEMI PROFESSIONAL, FREESTANDING



### PLUS AND OPTIONS:



### PROGRAMS:



14 place settings  
 Number of programs: 5 + 4 quick programs  
**Ultra rapid 16 min**  
 Orbital washing system  
 Energy saving option EnerSave A++  
 Buffer memory  
 Display: Delayed start display, Program duration display, Time to end display  
 Delay timer option up to 24 hours, with automatic soak  
 Visual indicator: salt and rinse aid  
 Indication of program duration and time to end  
 Varied distribution 1/2 load option FlexiZone  
 Grey baskets  
 Height adjustable upper basket on three horizontal levels  
 Upper basket with foldable central racks and glass holder  
 Upper basket with EasyGlide System  
 Lower basket with completely foldable racks and glass holder  
 FlexiDuo, third upper basket for cutlery  
 13 place setting sliding cutlery basket  
 Lower basket with anti-drop insert  
 Single hot/cold water max 60°C alimentionation - energy save up to 35%

Annual water consumption: 2940 l/year  
 Annual energy consumption: 261 kWh/year  
 Noise level: 45 dB (A) RE 1 pV

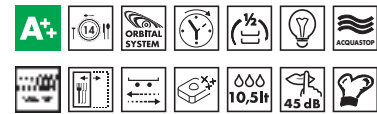
Current: 32 A  
 Frequency: 50 Hz  
 Voltage: 220-240 V

## LP364XT

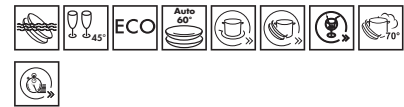
SEMI PROFESSIONAL, FREESTANDING



### PLUS AND OPTIONS:



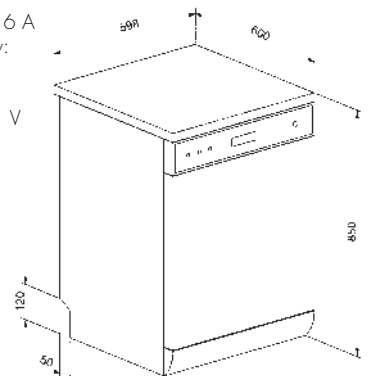
### PROGRAMS:



14 place settings  
 Number of programs: 5 + 4 quick programs  
**Ultra rapid 16 min**  
 Orbital washing system  
 Energy saving option EnerSave A++  
 Buffer memory  
 Display: Delayed start display, Program duration display, Time to end display  
 Delay timer option up to 24 hours, with automatic soak  
 Visual indicator: salt and rinse aid  
 Indication of program duration and time to end  
 Varied distribution 1/2 load option FlexiZone  
 Grey baskets  
 Height adjustable upper basket on three horizontal levels  
 Upper basket with foldable central racks and glass holder  
 Upper basket with EasyGlide System  
 Lower basket with completely foldable racks and glass holder  
 FlexiDuo, third upper basket for cutlery  
 13 place setting sliding cutlery basket  
 Lower basket with anti-drop insert  
 Single hot/cold water max 60°C alimentionation - energy save up to 35%

Annual water consumption: 2940 l/year  
 Annual energy consumption: 261 kWh/year  
 Noise level: 45 dB (A) RE 1 pV

Current: 16 A  
 Frequency: 50 Hz  
 Voltage: 400-415 V





**DISHWASHERS** FREE STANDING

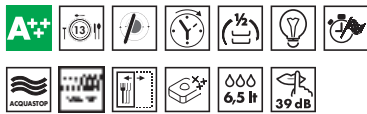
LVS43STXIN

## LVS533XIN

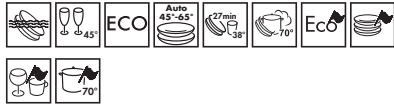
DISHWASHER, FREESTANDING,  
ANTIFINGERPRINT STAINLESS STEEL, 60 CM



### PLUS AND OPTIONS:



### PROGRAMS:



13 place settings  
Number of programs: 5 + 5 quick programs  
Planetarium washing system  
Energy saving option EnerSave A+++  
Buffer memory  
Display: Delayed start display, Program duration display, Time to end display  
Delay timer option up to 24 hours, with automatic soak  
Visual indicator: salt and rinse aid  
Acoustic signal on display of time to end  
Varied distribution 1/2 load option FlexiZone  
Grey baskets  
Height adjustable upper basket on three horizontal levels  
Lower basket with double foldable racks  
FlexiDuo, third upper basket for cutlery  
13 place setting sliding cutlery basket  
Lower basket with anti-drop insert  
Single hot/cold water max 60°C alimentation - energy save up to 35%

Annual water consumption: 1820 l/year  
Annual energy consumption: 231 kWh/year  
Noise level: 39 dB (A) RE 1 pW

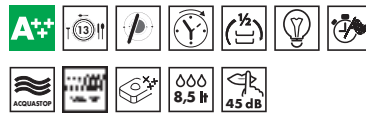
Current: 10 A  
Frequency: 50 Hz  
Voltage: 220-240 V

## LVS532XIN

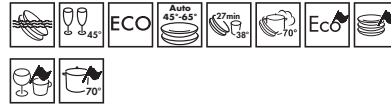
DISHWASHER, FREESTANDING,  
ANTIFINGERPRINT STAINLESS STEEL, 60 CM



### PLUS AND OPTIONS:



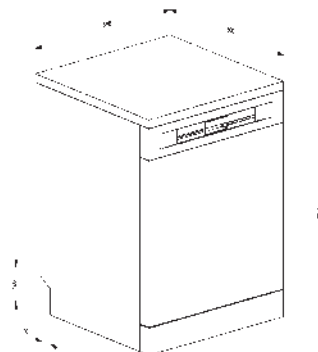
### PROGRAMS:



13 place settings  
Number of programs: 5 + 5 quick programs  
Planetarium washing system  
Energy saving option EnerSave A+++  
Buffer memory  
Display: Delayed start display, Program duration display, Time to end display  
Delay timer option up to 24 hours, with automatic soak  
Visual indicator: salt and rinse aid  
Acoustic signal on display of time to end  
Varied distribution 1/2 load option FlexiZone  
Grey baskets  
Height adjustable upper basket on three horizontal levels  
Upper basket with central fixed racks  
Lower basket with double foldable racks  
13 place setting sliding cutlery basket  
Lower basket with anti-drop insert  
Single hot/cold water max 60°C alimentation - energy save up to 35%

Annual water consumption: 2380 l/year  
Annual energy consumption: 231 kWh/year  
Noise level: 45 dB (A) RE 1 pW

Current: 10 A  
Frequency: 50 Hz  
Voltage: 220-240 V

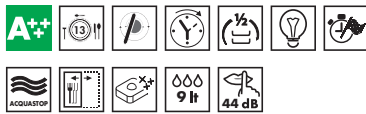


## LVS4334XIN

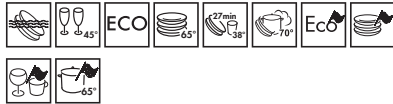
DISHWASHER, FREESTANDING,  
ANTIFINGERPRINT STAINLESS STEEL, 60 CM



### PLUS AND OPTIONS:



### PROGRAMS:



13 place settings  
Number of programs: 5 + 5 quick programs  
Planetarium washing system  
Energy saving option EnerSave A+++  
Buffer memory  
Display: Delayed start display, Program duration display, Time to end display  
Delay timer option up to 24 hours, with automatic soak  
Visual indicator: salt and rinse aid  
Indication of program duration and time to end  
Varied distribution 1/2 load option FlexiZone  
Grey baskets  
Height adjustable upper basket on three horizontal levels  
Upper basket with central fixed racks  
Lower basket with single foldable rack  
FlexiDuo, third upper basket for cutlery  
13 place setting sliding cutlery basket  
Lower basket with anti-drop insert  
Single hot/cold water max 60°C alimentation - energy save up to 35%

Annual water consumption: 2520 l/year  
Annual energy consumption: 231 kWh/year  
Noise level: 44 dB (A) RE 1 pV

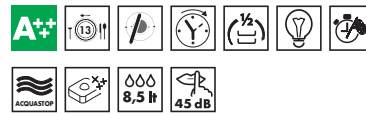
Current: 10 A  
Frequency: 50 Hz  
Voltage: 220-240 V

## LVS4322XIN

DISHWASHER, FREESTANDING,  
ANTIFINGERPRINT STAINLESS STEEL, 60 CM



### PLUS AND OPTIONS:



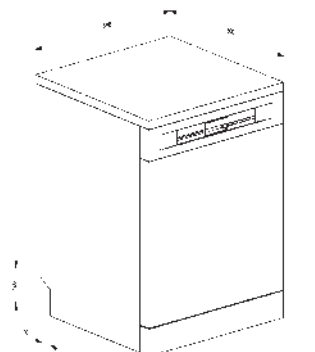
### PROGRAMS:



13 place settings  
Number of programs: 5 + 5 quick programs  
Planetarium washing system  
Energy saving option EnerSave A+++  
Buffer memory  
Display: Delayed start display, Program duration display, Time to end display  
Delay timer option up to 24 hours, with automatic soak  
Visual indicator: salt and rinse aid  
Indication of program duration and time to end  
Varied distribution 1/2 load option FlexiZone  
Grey baskets  
Height adjustable upper basket on three horizontal levels  
Upper basket with central fixed racks  
Lower basket with single foldable rack  
13 place setting sliding cutlery basket  
Lower basket with anti-drop insert  
Single hot/cold water max 60°C alimentation - energy save up to 35%

Annual water consumption: 2380 l/year  
Annual energy consumption: 231 kWh/year  
Noise level: 45 dB (A) RE 1 pV

Current: 10 A  
Frequency: 50 Hz  
Voltage: 220-240 V



## LVS4334BIN

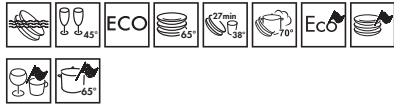
DISHWASHER, FREESTANDING, WHITE, 60 CM



### PLUS AND OPTIONS:



### PROGRAMS:



13 place settings  
 Number of programs: 5 + 5 quick programs  
 Planetarium washing system  
 Energy saving option EnerSave A+++  
 Buffer memory  
 Display: Delayed start display, Program duration display, Time to end display  
 Delay timer option up to 24 hours, with automatic soak  
 Visual indicator: salt and rinse aid  
 Indication of program duration and time to end  
 Varied distribution 1/2 load option FlexiZone  
 Grey baskets  
 Height adjustable upper basket on three horizontal levels  
 Upper basket with central fixed racks  
 Lower basket with single foldable rack  
 FlexiDuo, third upper basket for cutlery  
 13 place setting sliding cutlery basket  
 Lower basket with anti-drop insert  
 Single hot/cold water max 60°C alimentation - energy save up to 35%

Annual water consumption: 2520 l/year  
 Annual energy consumption: 231 kWh/year  
 Noise level: 44 dB (A) RE 1 pW

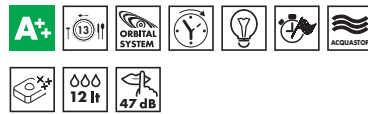
Current: 10 A  
 Frequency: 50 Hz  
 Voltage: 220-240 V

## LVS3222BIN

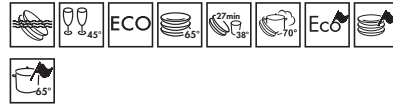
DISHWASHER, FREESTANDING, WHITE, 60 CM



### PLUS AND OPTIONS:



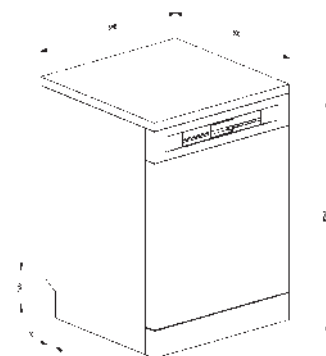
### PROGRAMS:



13 place settings  
 Number of programs: 5 + 5 quick programs  
 Orbital washing system  
 Energy saving option EnerSave A++  
 Buffer memory  
 Display: Delayed start display  
 Delay timer option 3-6-9-12 hours, with automatic soak  
 Visual indicator: salt and rinse aid  
 Indication of program duration and time to end  
 Grey baskets  
 Height adjustable upper basket on three horizontal levels  
 Upper basket with central fixed racks  
 Lower basket with single foldable rack  
 13 place setting sliding cutlery basket  
 Lower basket with anti-drop insert  
 Single hot/cold water max 60°C alimentation - energy save up to 35%

Annual water consumption: 3360 l/year  
 Noise level: 47 dB (A) RE 1 pW

Current: 10 A  
 Frequency: 50 Hz  
 Voltage: 220-240 V







**DISHWASHERS** FREE STANDING

LVS4334BIN

## LVS2122BIN

DISHWASHER, FREESTANDING, WHITE, 60 CM



## LVS2122SIN

DISHWASHER, FREESTANDING, SILVER, 60 CM



### PLUS AND OPTIONS:



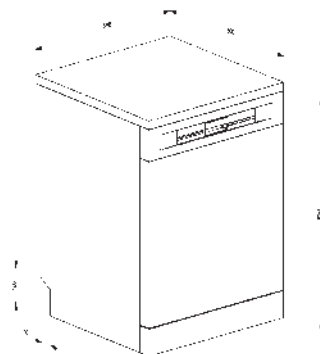
### PROGRAMS:



12 place settings  
Number of programs: 5  
Orbital washing system  
Buffer memory  
Delay timer option 3-6-9 hours, with automatic soak  
Visual indicator: salt and rinse aid  
Light, with acoustic signal of time to end  
Grey baskets  
Height adjustable upper basket on three horizontal levels  
Upper basket with central fixed racks  
Lower basket with central fixed racks  
13 place setting sliding cutlery basket  
Lower basket with anti-drop insert  
Single hot/cold water max 60°C alimentation - energy save up to 35%

Annual water consumption: 3360 l/year  
Noise level: 47 dB (A) RE 1 pW

Current: 10 A  
Frequency: 50 Hz  
Voltage: 220-240 V



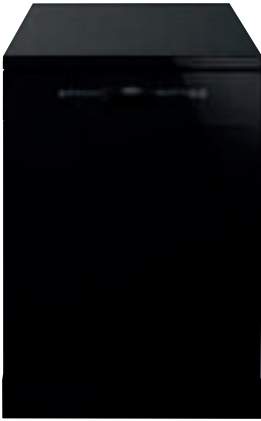


**DISHWASHERS** FREE STANDING

LVS2122SIN

## LV612BLE

DISHWASHER, FREESTANDING, BLACK, 60 CM



## LV612SVE

DISHWASHER, FREESTANDING, FINGER FRIENDLY STAINLESS STEEL, 60 CM



## LV612WE

DISHWASHER, FREESTANDING, WHITE, 60 CM, WHITE



### PLUS AND OPTIONS:



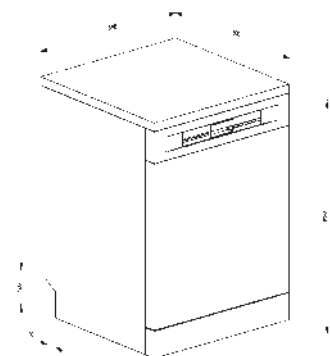
### PROGRAMS:



12 place settings  
Number of programs: 5 + 5 quick programs  
Orbital washing system  
Buffer memory  
Delay timer option 3-6-9 hours, with automatic soak  
Visual indicator: salt and rinse aid  
Light, with acoustic signal of time to end  
Grey baskets  
Height adjustable upper basket on two levels, by extraction  
Upper basket with central fixed racks  
Lower basket with central fixed racks  
13 place setting sliding cutlery basket  
Lower basket with anti-drop insert  
Single hot/cold water max 60°C alimentation - energy save up to 35%

Annual water consumption: 3360 l/year  
Noise level: 49 dB (A) RE 1 pV

Current: 13 A  
Frequency: 50 Hz  
Voltage: 220-240 V

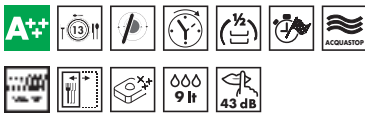


## DF613PX

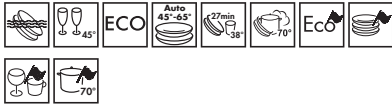
DISHWASHER, FREESTANDING,  
ANTIFINGERPRINT STAINLESS STEEL, 60 CM



### PLUS AND OPTIONS:



### PROGRAMS:



13 place settings  
Number of programs: 5 + 5 quick programs  
Planetarium washing system  
Energy saving option EnerSave A+++  
Buffer memory  
Display: Delayed start display, Program duration display, Time to end display  
Delay timer option up to 24 hours, with automatic soak  
Visual indicator: salt and rinse aid  
Indication of program duration and time to end  
Varied distribution 1/2 load option FlexiZone  
Grey baskets  
Height adjustable upper basket on three horizontal levels  
Upper basket with central fixed racks  
Lower basket with double foldable racks  
FlexiDuo, third upper basket for cutlery  
13 place setting sliding cutlery basket  
Lower basket with anti-drop insert  
Single hot/cold water max 60°C alimentation - energy save up to 35%

Annual water consumption: 2520 l/year  
Annual energy consumption: 231 kWh/year  
Noise level: 43 dB (A) RE 1 pW

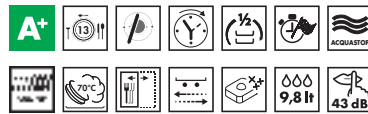
Current: 13 A  
Frequency: 50 Hz  
Voltage: 220-240 V

## DF613PW

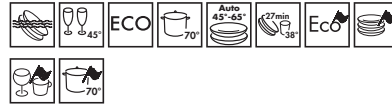
DISHWASHER, FREESTANDING, WHITE,  
60 CM



### PLUS AND OPTIONS:



### PROGRAMS:



13 place settings  
Number of programs: 5 + 5 quick programs  
Planetarium washing system  
Buffer memory  
Display: Delayed start display, Program duration display, Time to end display  
Delay timer option up to 24 hours, with automatic soak  
Visual indicator: salt and rinse aid  
Indication of program duration and time to end  
Varied distribution 1/2 load option FlexiZone  
Grey baskets  
Height adjustable upper basket on three horizontal levels  
Upper basket with central fixed racks  
Upper basket with EasyGlide System  
Lower basket with double foldable racks  
FlexiDuo, third upper basket for cutlery  
13 place setting sliding cutlery basket  
Lower basket with anti-drop insert  
Single hot/cold water max 60°C alimentation - energy save up to 35%

Annual water consumption: 2744 l/year  
Annual energy consumption: 292 kWh/year  
Noise level: 43 dB (A) RE 1 pW

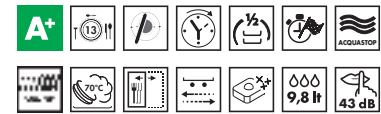
Current: 13 A  
Frequency: 50 Hz  
Voltage: 220-240 V

## DF613PBL

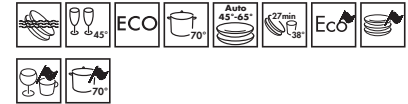
DISHWASHER, FREESTANDING, BLACK,  
60 CM



### PLUS AND OPTIONS:



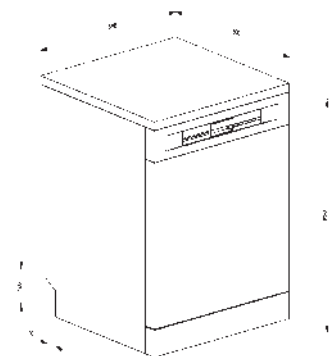
### PROGRAMS:



13 place settings  
Number of programs: 5 + 5 quick programs  
Planetarium washing system  
Buffer memory  
Display: Delayed start display, Program duration display, Time to end display  
Delay timer option up to 24 hours, with automatic soak  
Visual indicator: salt and rinse aid  
Indication of program duration and time to end  
Varied distribution 1/2 load option FlexiZone  
Grey baskets  
Height adjustable upper basket on three horizontal levels  
Upper basket with central fixed racks  
Upper basket with EasyGlide System  
Lower basket with double foldable racks  
FlexiDuo, third upper basket for cutlery  
13 place setting sliding cutlery basket  
Lower basket with anti-drop insert  
Single hot/cold water max 60°C alimentation - energy save up to 35%

Annual water consumption: 2744 l/year  
Annual energy consumption: 292 kWh/year  
Noise level: 43 dB (A) RE 1 pW

Current: 13 A  
Frequency: 50 Hz  
Voltage: 220-240 V



## DF612SVE

DISHWASHER, FREESTANDING, SILVER,  
60 CM



### PLUS AND OPTIONS:



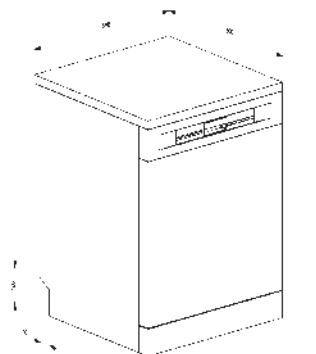
### PROGRAMS:



12 place settings  
Number of programs: 5  
Orbital washing system  
Buffer memory  
Visual indicator: salt and rinse aid  
Light, with acoustic signal of time to end  
Grey baskets  
Height adjustable upper basket on two levels,  
by extraction  
Upper basket with central fixed racks  
Lower basket with central fixed racks  
13 place setting sliding cutlery basket  
Lower basket with anti-drop insert  
Single hot/cold water max 60°C alimentation -  
energy save up to 35%

Annual water consumption: 3360 l/year  
Noise level: 49 dB (A) RE 1 pW

Current: 13 A  
Frequency: 50 Hz  
Voltage: 220-240 V

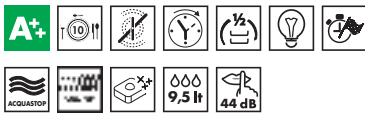


## LSA4525X

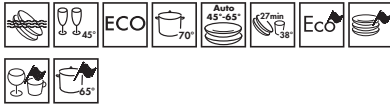
DISHWASHER, FREESTANDING, FULL STAINLESS STEEL, 45 CM



### PLUS AND OPTIONS:



### PROGRAMS:



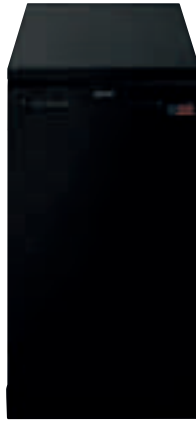
10 place settings  
 Number of programs: 5 + 5 quick programs  
 Swing wash system  
 Energy saving option EnerSave A++  
 Buffer memory  
 Display: Delayed start display, Program duration display, Time to end display  
 Delay timer option up to 24 hours, with automatic soak  
 Visual indicator: salt and rinse aid  
 Indication of program duration and acoustic signal of time to end  
 Varied distribution 1/2 load option FlexiZone  
 Grey baskets  
 Height adjustable upper basket on three horizontal levels  
 Upper basket with central fixed racks  
 Lower basket with single foldable rack  
 10 place setting sliding cutlery basket  
 Lower basket with anti-drop insert  
 Single hot/cold water max 60°C alimentation - energy save up to 35%

Annual water consumption: 2660 l/year  
 Annual energy consumption: 210 kWh/year  
 Noise level: 44 dB (A) RE 1 pW

Current: 10 A  
 Frequency: 50 Hz  
 Voltage: 220-240 V

## LSA4525N

DISHWASHER, FREESTANDING, BLACK, 45 CM



## LSA4511B

DISHWASHER, FREESTANDING, WHITE, 45 CM



### PLUS AND OPTIONS:



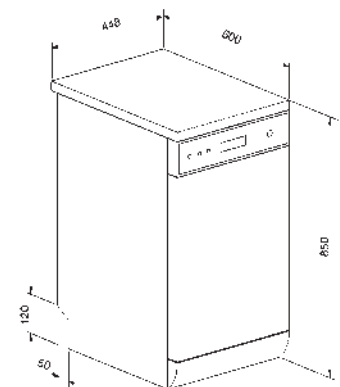
### PROGRAMS:



10 place settings  
 Number of programs: 5  
 Swing wash system  
 Buffer memory  
 Visual indicator: salt and rinse aid  
 Indication of program duration and acoustic signal of time to end  
 Grey baskets  
 Height adjustable upper basket on three horizontal levels  
 Upper basket with central fixed racks  
 Lower basket with central fixed racks  
 10 place setting sliding cutlery basket  
 Lower basket with anti-drop insert  
 Single hot/cold water max 60°C alimentation - energy save up to 35%

Annual water consumption: 2660 l/year  
 Annual energy consumption: 236 kWh/year  
 Noise level: 46 dB (A) RE 1 pW

Current: 10 A  
 Frequency: 50 Hz  
 Voltage: 220-240 V



## ST2FABRD

DISHWASHER, BUILT IN, RED, 60 CM , 50'S STYLE



## ST2FABPK

DISHWASHER, BUILT IN, PINK, 60 CM , 50'S STYLE

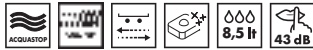


## ST2FABBL

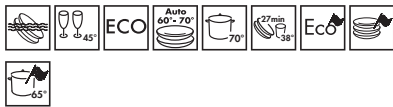
DISHWASHER, BUILT IN, BLACK, 60 CM , 50'S STYLE



### PLUS AND OPTIONS:



### PROGRAMS:



13 place settings  
 Number of programs: 5 + 4 quick programs  
 Planetarium washing system  
 Energy saving option EnerSave A+++  
 Buffer memory  
 Display: Delayed start display  
 Delay timer option up to 9 hours, with automatic soak  
 Visual indicator: salt and rinse aid  
 Acoustic signal of time to end  
 Varied distribution 1/2 load option FlexiZone  
 Stainless Steel basket with colored coordinating components  
 Height adjustable upper basket on three horizontal levels  
 Upper basket with central fixed racks  
 Upper basket with EasyGlide System  
 Lower basket with double foldable racks  
 13 place setting sliding cutlery basket  
 Lower basket with anti-drop insert  
 Single hot/cold water max 60°C alimentation - energy save up to 35%

Annual water consumption: 2380 l/year  
 Annual energy consumption: 230 kWh/year  
 Noise level: 43 dB (A) RE 1 pW

Current: 10 A  
 Frequency: 50 Hz  
 Voltage: 220-240 V

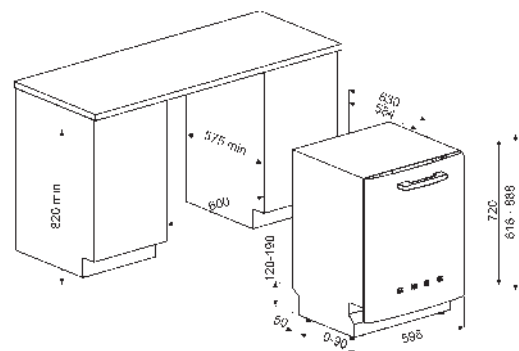
## ST2FABWH

DISHWASHER, BUILT IN, WHITE, 60 CM , 50'S STYLE



## ST2FABCR

DISHWASHER, BUILT IN, CREAM, 60 CM , 50'S STYLE







DISHWASHERS 50'S RETRO STYLE

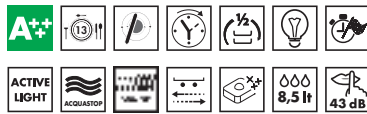
ST2FABRD

## STX130L

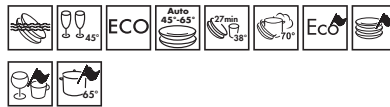
DISHWASHER, BUILT-IN FULLY INTEGRATED,  
ANTIFINGERPRINT STAINLESS STEEL, 60 CM



### PLUS AND OPTIONS:



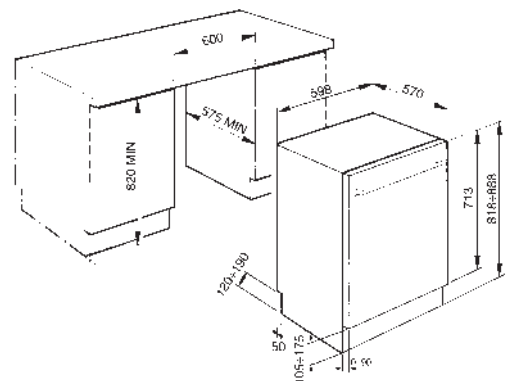
### PROGRAMS:



13 place settings  
 Number of programs: 5 + 5 quick programs  
 Planetarium washing system  
 Energy saving option EnerSave A+++  
 Buffer memory  
 Display: Delayed start display, Program duration display, Time to end display  
 Delay timer option up to 24 hours, with automatic soak  
 Visual indicator: salt and rinse aid  
 Active light  
 Varied distribution 1/2 load option FlexiZone  
 Stainless Steel basket with grey components  
 Height adjustable upper basket on three horizontal levels  
 Upper basket with central fixed racks  
 Upper basket with EasyGlide System  
 Lower basket with double foldable racks  
 13 place setting sliding cutlery basket  
 Lower basket with anti-drop insert  
 Single hot/cold water max 60°C alimentation - energy save up to 35%

Annual water consumption: 2380 l/year  
 Annual energy consumption: 230 kWh/year  
 Noise level: 43 dB (A) RE 1 pW

Current: 10 A  
 Frequency: 50 Hz  
 Voltage: 220-240 V





DISHWASHERS BUILT-IN

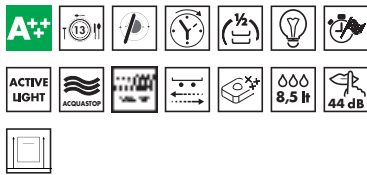
STX130L

## STE8244L

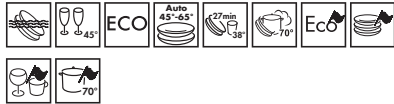
DISHWASHER, BUILT-IN FULLY INTEGRATED,  
ANTIFINGERPRINT STAINLESS STEEL, 60 CM



### PLUS AND OPTIONS:



### PROGRAMS:



13 place settings  
 Number of programs: 5 + 5 quick programs  
 Planetarium washing system  
 Energy saving option EnerSave A+++  
 Buffer memory  
 Display: Delayed start display, Program duration display, Time to end display  
 Delay timer option up to 24 hours, with automatic soak  
 Visual indicator: salt and rinse aid  
 Active light  
 Varied distribution 1/2 load option FlexiZone  
 Height adjustable upper basket on three horizontal levels  
 Upper basket with EasyGlide System  
 Lower basket with completely foldable racks and glass holder  
 13 place setting sliding cutlery basket  
 Lower basket with anti-drop insert  
 Single hot/cold water max 60°C alimentation - energy save up to 35%

Annual water consumption: 2380 l/year  
 Annual energy consumption: 230 kWh/year  
 Noise level: 44 dB (A) RE 1 pW

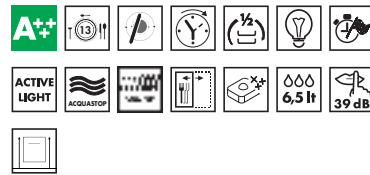
Current: 10 A  
 Frequency: 50 Hz  
 Voltage: 220-240 V

## STE8239L

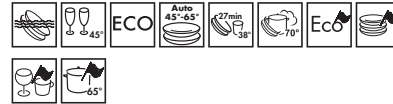
DISHWASHER, BUILT-IN FULLY INTEGRATED,  
ANTIFINGERPRINT STAINLESS STEEL, 60 CM



### PLUS AND OPTIONS:



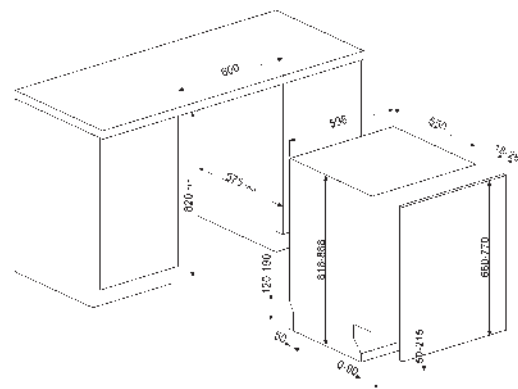
### PROGRAMS:



13 place settings  
 Number of programs: 5 + 5 quick programs  
 Planetarium washing system  
 Energy saving option EnerSave A+++  
 Buffer memory  
 Display: Delayed start display, Program duration display, Time to end display  
 Delay timer option up to 24 hours, with automatic soak  
 Visual indicator: salt and rinse aid  
 Active light  
 Varied distribution 1/2 load option FlexiZone  
 Height adjustable upper basket on three horizontal levels  
 Lower basket with completely foldable racks and glass holder  
 FlexiDuo, third upper basket for cutlery  
 13 place setting sliding cutlery basket  
 Lower basket with anti-drop insert  
 Single hot/cold water max 60°C alimentation - energy save up to 35%

Annual water consumption: 1820 l/year  
 Annual energy consumption: 231 kWh/year  
 Noise level: 39 dB (A) RE 1 pW

Current: 10 A  
 Frequency: 50 Hz  
 Voltage: 220-240 V

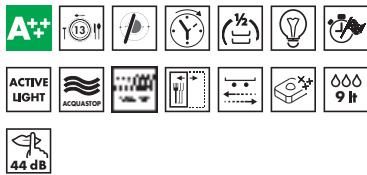


## ST868TL-2

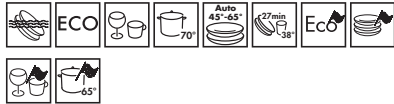
DISHWASHER, BUILT IN FULLY INTEGRATED,  
BLACK, 60 CM



### PLUS AND OPTIONS:



### PROGRAMS:



13 place settings  
 Number of programs: 6 + 4 quick programs  
 Planetarium washing system  
 Energy saving option EnerSave A+++  
 Buffer memory  
 Display: Delayed start display, Program duration display, Time to end display  
 Delay timer option up to 24 hours, with automatic soak  
 Visual indicator: salt and rinse aid  
 Active light  
 Varied distribution 1/2 load option FlexiZone  
 Grey baskets  
 Height adjustable upper basket on three horizontal levels  
 Upper basket with central fixed racks  
 Upper basket with EasyGlide System  
 Lower basket with double foldable racks  
 FlexiDuo, third upper basket for cutlery  
 13 place setting sliding cutlery basket  
 Lower basket with anti-drop insert  
 Single hot/cold water max 60°C alimentation - energy save up to 35%

Annual water consumption: 2520 l/year  
 Annual energy consumption: 230 kWh/year  
 Noise level: 44 dB (A) RE 1 pW

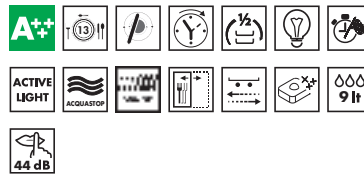
Current: 10 A  
 Frequency: 50 Hz  
 Voltage: 220-240 V

## ST733TL-2

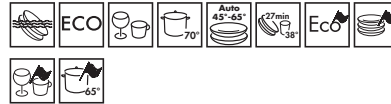
DISHWASHER, BUILT IN FULLY INTEGRATED,  
BLACK, 60 CM



### PLUS AND OPTIONS:



### PROGRAMS:



13 place settings  
 Number of programs: 6 + 4 quick programs  
 Planetarium washing system  
 Energy saving option EnerSave A+++  
 Buffer memory  
 Display: Delayed start display, Program duration display, Time to end display  
 Delay timer option up to 24 hours, with automatic soak  
 Visual indicator: salt and rinse aid  
 Active light  
 Varied distribution 1/2 load option FlexiZone  
 Grey baskets  
 Height adjustable upper basket on three horizontal levels  
 Upper basket with central fixed racks  
 Upper basket with EasyGlide System  
 Lower basket with double foldable racks  
 FlexiDuo, third upper basket for cutlery  
 13 place setting sliding cutlery basket  
 Lower basket with anti-drop insert  
 Single hot/cold water max 60°C alimentation - energy save up to 35%

Annual water consumption: 2520 l/year  
 Annual energy consumption: 230 kWh/year  
 Noise level: 44 dB (A) RE 1 pW

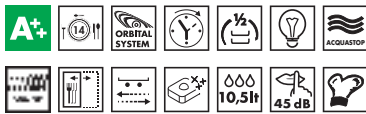
Current: 10 A  
 Frequency: 50 Hz  
 Voltage: 220-240 V

## STP364S

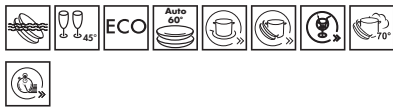
DISHWASHER, BUILT IN FULLY INTEGRATED, ANTIFINGERPRINT STAINLESS STEEL, 60 CM , SEMI PROFESSIONAL



### PLUS AND OPTIONS:



### PROGRAMS:



14 place settings  
 Number of programs: 5 + 4 quick programs  
**Ultra rapid**  
 Orbital washing system  
 Energy saving option EnerSave A++  
 Buffer memory  
 Display: Delayed start display, Program duration display, Time to end display  
 Delay timer option up to 24 hours, with automatic soak  
 Visual indicator: salt and rinse aid  
 Acoustic signal of time to end  
 Varied distribution 1/2 load option FlexiZone  
 Stainless Steel basket with grey components  
 Height adjustable upper basket on three horizontal levels  
 Upper basket with foldable central racks and glass holder  
 Upper basket with EasyGlide System  
 Lower basket with completely foldable racks and glass holder  
 FlexiDuo, third upper basket for cutlery  
 13 place setting sliding cutlery basket  
 Lower basket with anti-drop insert  
 Single hot/cold water max 60°C alimентация - energy save up to 35%

Annual water consumption: 2940 l/year  
 Annual energy consumption: 261 kWh/year  
 Noise level: 45 dB (A) RE 1 pW

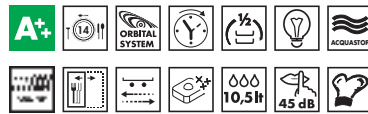
Current: 32 A  
 Frequency: 50 Hz  
 Voltage: 220-240 V

## STP364T

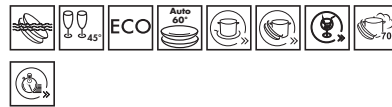
DISHWASHER, BUILT IN FULLY INTEGRATED, ANTIFINGERPRINT STAINLESS STEEL, 60 CM , SEMI PROFESSIONAL



### PLUS AND OPTIONS:



### PROGRAMS:



14 place settings  
 Number of programs: 5 + 4 quick programs  
**Ultra rapid**  
 Orbital washing system  
 Energy saving option EnerSave A++  
 Buffer memory  
 Display: Delayed start display, Program duration display, Time to end display  
 Delay timer option up to 24 hours, with automatic soak  
 Visual indicator: salt and rinse aid  
 Acoustic signal of time to end  
 Varied distribution 1/2 load option FlexiZone  
 Stainless Steel basket with grey components  
 Height adjustable upper basket on three horizontal levels  
 Upper basket with foldable central racks and glass holder  
 Upper basket with EasyGlide System  
 Lower basket with completely foldable racks and glass holder  
 FlexiDuo, third upper basket for cutlery  
 13 place setting sliding cutlery basket  
 Lower basket with anti-drop insert  
 Single hot/cold water max 60°C alimентация - energy save up to 35%

Annual water consumption: 2940 l/year  
 Annual energy consumption: 261 kWh/year  
 Noise level: 45 dB (A) RE 1 pW

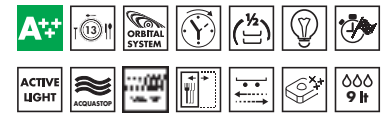
Current: 16 A  
 Frequency: 50 Hz  
 Voltage: 400-415 V

## STA6539L3

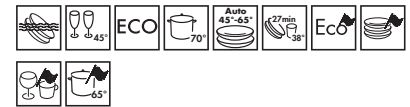
DISHWASHER, BUILT IN FULLY INTEGRATED, 60 CM , SILVER



### PLUS AND OPTIONS:



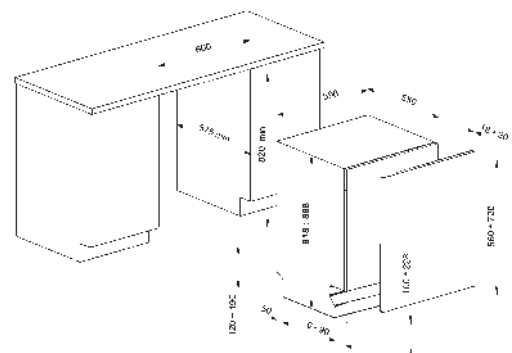
### PROGRAMS:



13 place settings  
 Number of programs: 5 + 5 quick programs  
 Orbital washing system  
 Energy saving option EnerSave A+++  
 Buffer memory  
 Display: Delayed start display, Program duration display, Time to end display  
 Delay timer option up to 24 hours, with automatic soak  
 Visual indicator: salt and rinse aid  
 Active light  
 Varied distribution 1/2 load option FlexiZone  
 Grey baskets  
 Height adjustable upper basket on three horizontal levels  
 Upper basket with central fixed racks  
 Upper basket with EasyGlide System  
 Lower basket with double foldable racks  
 FlexiDuo, third upper basket for cutlery  
 13 place setting sliding cutlery basket  
 Lower basket with anti-drop insert  
 Single hot/cold water max 60°C alimентация - energy save up to 35%

Annual water consumption: 2520 l/year  
 Annual energy consumption: 233 kWh/year  
 Noise level: 39 dB (A) RE 1 pW

Current: 10 A  
 Frequency: 50 Hz  
 Voltage: 220-240 V



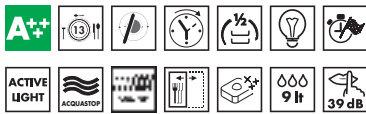


## STL7235L

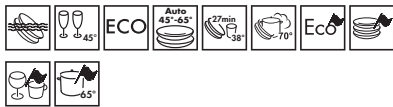
DISHWASHER, BUILT IN FULLY INTEGRATED,  
60 CM , SILVER



### PLUS AND OPTIONS:



### PROGRAMS:



13 place settings  
Number of programs: 5 + 5 quick programs  
Planetarium washing system  
Energy saving option EnerSave A+++  
Buffer memory  
Display: Delayed start display, Program duration display, Time to end display  
Delay timer option up to 24 hours, with automatic soak  
Visual indicator: salt and rinse aid  
Active light  
Varied distribution 1/2 load option FlexiZone  
Grey baskets  
Height adjustable upper basket on three horizontal levels  
Lower basket with double foldable racks  
FlexiDuo, third upper basket for cutlery  
13 place setting sliding cutlery basket  
Lower basket with anti-drop insert  
Single hot/cold water max 60°C alimentionation - energy save up to 35%

Annual water consumption: 2520 l/year  
Annual energy consumption: 230 kWh/year  
Noise level: 39 dB (A) RE 1 pW

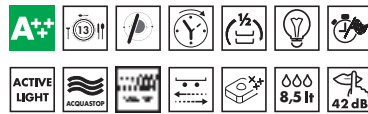
Current: 10 A  
Frequency: 50 Hz  
Voltage: 220-240 V

## STL7224L

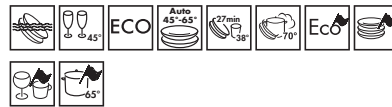
DISHWASHER, BUILT IN FULLY INTEGRATED,  
60 CM , SILVER



### PLUS AND OPTIONS:



### PROGRAMS:



13 place settings  
Number of programs: 5 + 5 quick programs  
Planetarium washing system  
Energy saving option EnerSave A+++  
Buffer memory  
Display: Delayed start display, Program duration display, Time to end display  
Delay timer option up to 24 hours, with automatic soak  
Visual indicator: salt and rinse aid  
Active light  
Varied distribution 1/2 load option FlexiZone  
Grey baskets  
Height adjustable upper basket on three horizontal levels  
Upper basket with central fixed racks  
Upper basket with EasyGlide System  
Lower basket with double foldable racks  
13 place setting sliding cutlery basket  
Lower basket with anti-drop insert  
Single hot/cold water max 60°C alimentionation - energy save up to 35%

Annual water consumption: 2380 l/year  
Annual energy consumption: 230 kWh/year  
Noise level: 42 dB (A) RE 1 pW

Current: 10 A  
Frequency: 50 Hz  
Voltage: 220-240 V

## STL7221L

DISHWASHER, BUILT IN FULLY INTEGRATED,  
60 CM , SILVER



### PLUS AND OPTIONS:



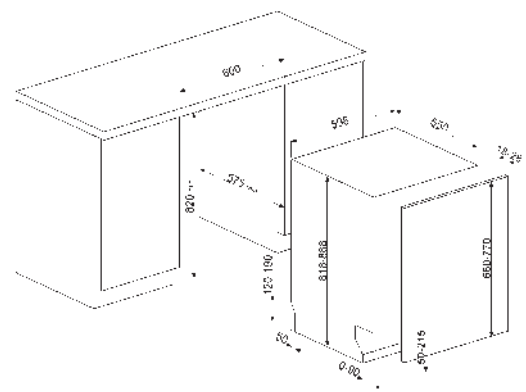
### PROGRAMS:



13 place settings  
Number of programs: 5  
Planetarium washing system  
Buffer memory  
Delay timer option 3-6-9 hours, with automatic soak  
Visual indicator: salt and rinse aid  
Active light  
Grey baskets  
Height adjustable upper basket on three horizontal levels  
Upper basket with central fixed racks  
Lower basket with single foldable rack  
13 place setting sliding cutlery basket  
Lower basket with anti-drop insert  
Single hot/cold water max 60°C alimentionation - energy save up to 35%

Annual water consumption: 3360 l/year  
Annual energy consumption: 292 kWh/year  
Noise level: 47 dB (A) RE 1 pW

Current: 10 A  
Frequency: 50 Hz  
Voltage: 220-240 V



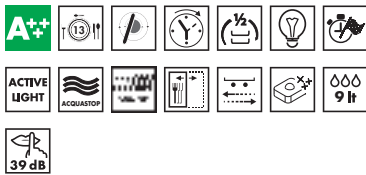


## STL66337L

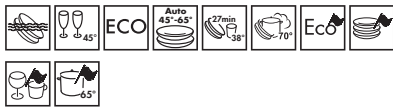
DISHWASHER, BUILT IN FULLY INTEGRATED,  
60 CM , SILVER



### PLUS AND OPTIONS:



### PROGRAMS:



13 place settings  
 Number of programs: 5 + 5 quick programs  
 Planetarium washing system  
 Energy saving option EnerSave A+++  
 Buffer memory  
 Display: Delayed start display, Program duration display, Time to end display  
 Delay timer option up to 24 hours, with automatic soak  
 Visual indicator: salt and rinse aid  
 Active light  
 Varied distribution 1/2 load option FlexiZone  
 Grey baskets  
 Height adjustable upper basket on three horizontal levels  
 Upper basket with central fixed racks  
 Upper basket with EasyGlide System  
 Lower basket with double foldable racks  
 FlexiDuo, third upper basket for cutlery  
 13 place setting sliding cutlery basket  
 Lower basket with anti-drop insert  
 Single hot/cold water max 60°C alimentation - energy save up to 35%

Annual water consumption: 2520 l/year  
 Annual energy consumption: 230 kWh/year  
 Noise level: 39 dB (A) RE 1 pW

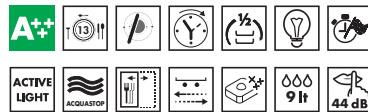
Current: 10 A  
 Frequency: 50 Hz  
 Voltage: 220-240 V

## STL62335L

DISHWASHER, BUILT IN FULLY INTEGRATED,  
60 CM , SILVER



### PLUS AND OPTIONS:



### PROGRAMS:



13 place settings  
 Number of programs: 5 + 5 quick programs  
 Planetarium washing system  
 Energy saving option EnerSave A+++  
 Buffer memory  
 Display: Delayed start display, Program duration display, Time to end display  
 Delay timer option up to 24 hours, with automatic soak  
 Visual indicator: salt and rinse aid  
 Active light  
 Varied distribution 1/2 load option FlexiZone  
 Grey baskets  
 Height adjustable upper basket on three horizontal levels  
 Upper basket with central fixed racks  
 Upper basket with EasyGlide System  
 Lower basket with double foldable racks  
 FlexiDuo, third upper basket for cutlery  
 13 place setting sliding cutlery basket  
 Lower basket with anti-drop insert  
 Single hot/cold water max 60°C alimentation - energy save up to 35%

Annual water consumption: 2520 l/year  
 Annual energy consumption: 230 kWh/year  
 Noise level: 44 dB (A) RE 1 pW

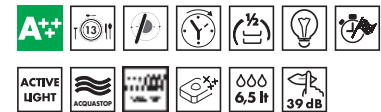
Current: 10 A  
 Frequency: 50 Hz  
 Voltage: 220-240 V

## STL62327L

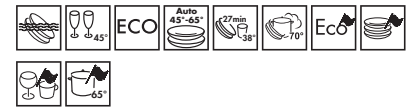
DISHWASHER, BUILT IN FULLY INTEGRATED,  
60 CM , SILVER



### PLUS AND OPTIONS:



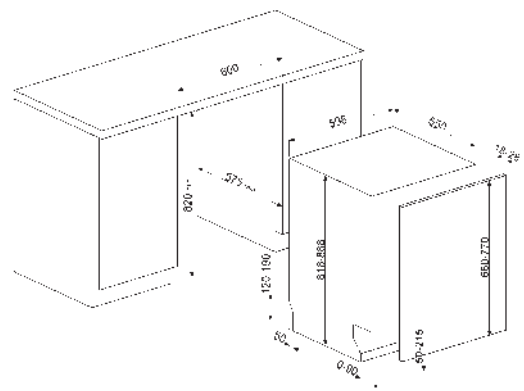
### PROGRAMS:



13 place settings  
 Number of programs: 5 + 5 quick programs  
 Planetarium washing system  
 Energy saving option EnerSave A+++  
 Buffer memory  
 Display: Delayed start display, Program duration display, Time to end display  
 Delay timer option up to 24 hours, with automatic soak  
 Visual indicator: salt and rinse aid  
 Active light  
 Varied distribution 1/2 load option FlexiZone  
 Grey baskets  
 Height adjustable upper basket on three horizontal levels  
 Upper basket with central fixed racks  
 Lower basket with double foldable racks  
 13 place setting sliding cutlery basket  
 Lower basket with anti-drop insert  
 Single hot/cold water max 60°C alimentation - energy save up to 35%

Annual water consumption: 1820 l/year  
 Annual energy consumption: 231 kWh/year  
 Noise level: 39 dB (A) RE 1 pW

Current: 10 A  
 Frequency: 50 Hz  
 Voltage: 220-240 V

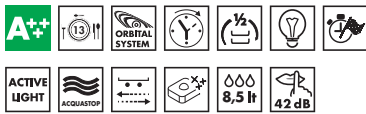


## STL66322L

DISHWASHER, BUILT IN FULLY INTEGRATED,  
60 CM , SILVER



### PLUS AND OPTIONS:



### PROGRAMS:



13 place settings  
 Number of programs: 5 + 5 quick programs  
 Orbital washing system  
 Energy saving option EnerSave A+++  
 Buffer memory  
 Display: Delayed start display, Program duration display, Time to end display  
 Delay timer option up to 24 hours, with automatic soak  
 Visual indicator: salt and rinse aid  
 Active light  
 Varied distribution 1/2 load option FlexiZone  
 Grey baskets  
 Height adjustable upper basket on three horizontal levels  
 Upper basket with central fixed racks  
 Upper basket with EasyGlide System  
 Lower basket with double foldable racks  
 13 place setting sliding cutlery basket  
 Lower basket with anti-drop insert  
 Single hot/cold water max 60°C alimentation - energy save up to 35%

Annual water consumption: 2380 l/year  
 Annual energy consumption: 230 kWh/year  
 Noise level: 42 dB (A) RE 1 pW

Current: 10 A  
 Frequency: 50 Hz  
 Voltage: 220-240 V

## STL26123

DISHWASHER, BUILT IN FULLY INTEGRATED,  
BLACK, 60 CM , BLACK



### PLUS AND OPTIONS:



### PROGRAMS:



13 place settings  
 Number of programs: 5  
 Orbital washing system  
 Buffer memory  
 Delay timer option 3-6-9 hours, with automatic soak  
 Optical indicators: salt and rinse aid  
 Acoustic signal of time to end  
 Grey baskets  
 Height adjustable upper basket on three horizontal levels  
 Upper basket with central fixed racks  
 Lower basket with single foldable rack  
 13 place setting sliding cutlery basket  
 Lower basket with anti-drop insert  
 Single hot/cold water max 60°C alimentation - energy save up to 35%

Annual water consumption: 2380 l/year  
 Annual energy consumption: 292 kWh/year  
 Noise level: 45 dB (A) RE 1 pW

Current: 10 A  
 Frequency: 50 Hz  
 Voltage: 220-240 V

## STL22124

DISHWASHER, BUILT IN FULLY INTEGRATED,  
BLACK, 60 CM , BLACK



### PLUS AND OPTIONS:



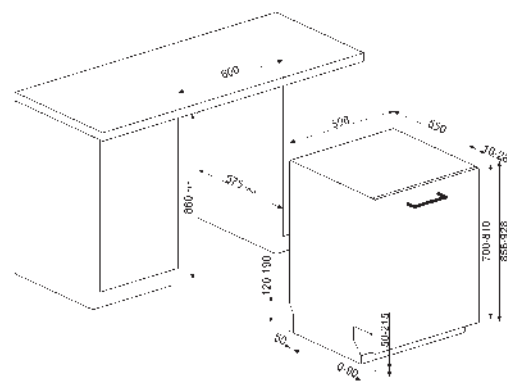
### PROGRAMS:



13 place settings  
 Number of programs: 5  
 Orbital washing system  
 Buffer memory  
 Delay timer option 3-6-9 hours, with automatic soak  
 Visual indicator: salt and rinse aid  
 Acoustic signal of time to end  
 Grey baskets  
 Height adjustable upper basket on three horizontal levels  
 Upper basket with central fixed racks  
 Lower basket with single foldable rack  
 13 place setting sliding cutlery basket  
 Lower basket with anti-drop insert  
 Single hot/cold water max 60°C alimentation - energy save up to 35%

Annual water consumption: 2380 l/year  
 Annual energy consumption: 292 kWh/year  
 Noise level: 45 dB (A) RE 1 pW

Current: 10 A  
 Frequency: 50 Hz  
 Voltage: 220-240 V



## ST22123

DISHWASHER, BUILT IN FULLY INTEGRATED,  
60 CM , BLACK



### PLUS AND OPTIONS:



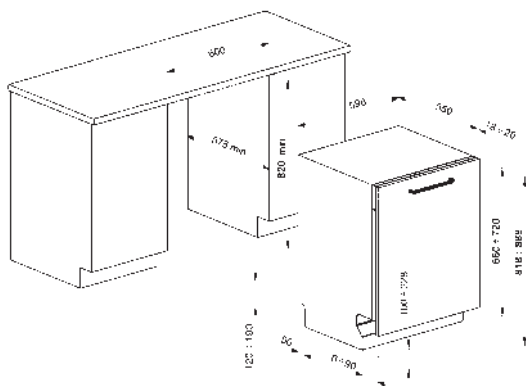
### PROGRAMS:



12 place settings  
Number of programs: 5  
Orbital washing system  
Buffer memory  
Delay timer option 3-6-9 hours, with automatic soak  
Optical indicators: salt and rinse aid  
Acoustic signal of time to end  
Grey baskets  
Height adjustable upper basket on two levels, by extraction  
Upper basket with central fixed racks  
Lower basket with central fixed racks  
13 place setting sliding cutlery basket  
Lower basket with anti-drop insert  
Single hot/cold water max 60°C alimentation - energy save up to 35%

Annual water consumption: 2380 l/year  
Annual energy consumption: 292 kWh/year  
Noise level: 47 dB (A) RE 1 pW

Current: 10 A  
Frequency: 50 Hz  
Voltage: 220-240 V

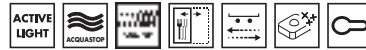


## STA7233L

DISHWASHER, BUILT IN FULLY INTEGRATED,  
60 CM , SILVER



### PLUS AND OPTIONS:



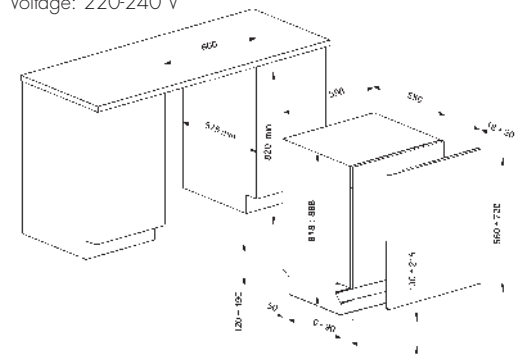
### PROGRAMS:



13 place settings  
Number of programs: 5 + 5 quick programs  
Planetarium washing system  
Energy saving option EnerSave A+++  
Buffer memory  
Display: Delayed start display, Program duration display, Time to end display  
Delay timer option up to 24 hours, with automatic soak  
Visual indicator: salt and rinse aid  
Active light  
Varied distribution 1/2 load option FlexiZone  
Grey baskets  
Height adjustable upper basket on three horizontal levels  
Upper basket with central fixed racks  
Upper basket with EasyGlide System  
Lower basket with double foldable racks  
FlexiDuo, third upper basket for cutlery  
13 place setting sliding cutlery basket  
Lower basket with anti-drop insert  
Automatic opening system without handle  
Single hot/cold water max 60°C alimentation - energy save up to 35%

Annual water consumption: 2380 l/year  
Annual energy consumption: 230 kWh/year  
Noise level: 42 dB (A) RE 1 pW

Current: 10 A  
Frequency: 50 Hz  
Voltage: 220-240 V

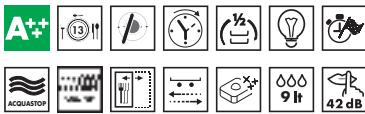


## PL7233TX

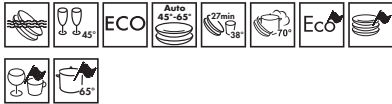
DISHWASHER, SEMI INTEGRATED,  
ANTIFINGERPRINT STAINLESS STEEL, 60 CM



### PLUS AND OPTIONS:



### PROGRAMS:



13 place settings  
Number of programs: 5 + 5 quick programs  
Planetarium washing system  
Energy saving option EnerSave A+++  
Buffer memory  
Display: Delayed start display, Program duration display, Time to end display  
Delay timer option up to 24 hours, with automatic soak  
Visual indicator: salt and rinse aid  
Acoustic signal of time to end  
Varied distribution 1/2 load option FlexiZone  
Grey baskets  
Height adjustable upper basket on three horizontal levels  
Upper basket with central fixed racks  
Upper basket with EasyGlide System  
Lower basket with double foldable racks  
FlexiDuo, third upper basket for cutlery  
13 place setting sliding cutlery basket  
Lower basket with anti-drop insert  
Single hot/cold water max 60°C alimentation - energy save up to 35%

Annual water consumption: 2520 l/year  
Annual energy consumption: 231 kWh/year  
Noise level: 42 dB (A) RE 1 pW

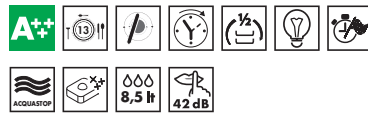
Current: 10 A  
Frequency: 50 Hz  
Voltage: 220-240 V

## PL4325XIN

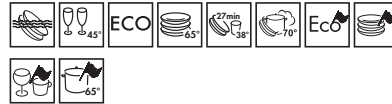
DISHWASHER, SEMI INTEGRATED,  
ANTIFINGERPRINT STAINLESS STEEL, 60 CM



### PLUS AND OPTIONS:



### PROGRAMS:



13 place settings  
Number of programs: 5 + 5 quick programs  
Planetarium washing system  
Energy saving option EnerSave A+++  
Buffer memory  
Display: Delayed start display, Program duration display, Time to end display  
Delay timer option up to 24 hours, with automatic soak  
Visual indicator: salt and rinse aid  
Indication of program duration and time to end  
Varied distribution 1/2 load option FlexiZone  
Grey baskets  
Height adjustable upper basket on three horizontal levels  
Upper basket with central fixed racks  
Lower basket with double foldable racks  
13 place setting sliding cutlery basket  
Lower basket with anti-drop insert  
Single hot/cold water max 60°C alimentation - energy save up to 35%

Annual water consumption: 2380 l/year  
Annual energy consumption: 231 kWh/year  
Noise level: 42 dB (A) RE 1 pW

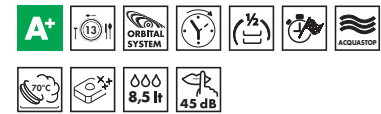
Current: 10 A  
Frequency: 50 Hz  
Voltage: 220-240 V

## PL4123XIN

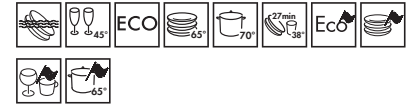
DISHWASHER, SEMI INTEGRATED,  
ANTIFINGERPRINT STAINLESS STEEL, 60 CM



### PLUS AND OPTIONS:



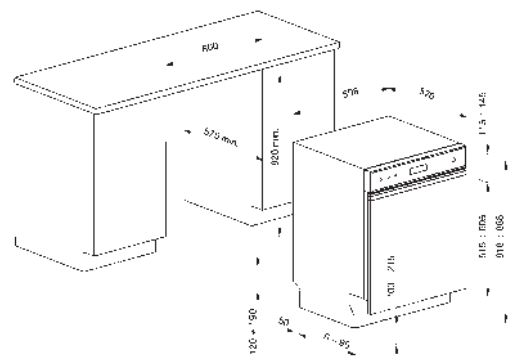
### PROGRAMS:



13 place settings  
Number of programs: 5 + 5 quick programs  
Orbital washing system  
Planetarium washing system  
Energy saving option EnerSave A+++  
Buffer memory  
Display: Delayed start display, Program duration display, Time to end display  
Delay timer option up to 24 hours, with automatic soak  
Visual indicator: salt and rinse aid  
Indication of program duration and acoustic signal of time to end  
Varied distribution 1/2 load option FlexiZone  
Grey baskets  
Height adjustable upper basket on three horizontal levels  
Upper basket with central fixed racks  
Lower basket with single foldable rack  
13 place setting sliding cutlery basket  
Lower basket with anti-drop insert  
Single hot/cold water max 60°C alimentation - energy save up to 35%

Annual water consumption: 2380 l/year  
Annual energy consumption: 292 kWh/year  
Noise level: 45 dB (A) RE 1 pW

Current: 10 A  
Frequency: 50 Hz  
Voltage: 220-240 V





**DISHWASHERS** BUILT-IN

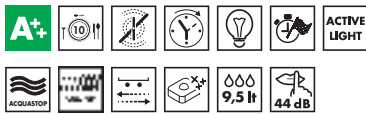
PL7233TX

## STA4526

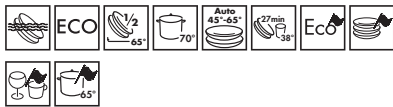
DISHWASHER, BUILT IN FULLY INTEGRATED,  
45 CM , SILVER



### PLUS AND OPTIONS:



### PROGRAMS:



10 place settings  
Number of programs: 5 + 5 quick programs  
Swing wash system  
Energy saving option EnerSave A++  
Buffer memory  
Display: Delayed start display, Program duration display, Time to end display  
Delay timer option up to 24 hours, with automatic soak  
Visual indicator: salt and rinse aid  
Active light  
Grey baskets  
Height adjustable upper basket on three horizontal levels  
Upper basket with central fixed racks  
Upper basket with EasyGlide System  
Lower basket with single foldable rack  
10 place setting sliding cutlery basket  
Lower basket with anti-drop insert  
Blue led internal lights  
Single hot/cold water max 60°C alimentionation - energy save up to 35%

Annual water consumption: 2660 l/year  
Annual energy consumption: 210 kWh/year  
Noise level: 44 dB (A) RE 1 pW

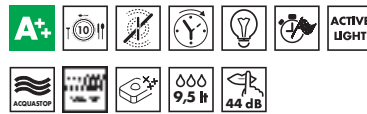
Current: 10 A  
Frequency: 50 Hz  
Voltage: 220-240 V

## STA4525

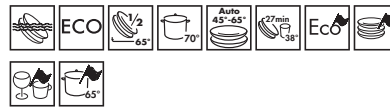
DISHWASHER, BUILT IN FULLY INTEGRATED,  
45 CM , SILVER



### PLUS AND OPTIONS:



### PROGRAMS:



10 place settings  
Number of programs: 5 + 5 quick programs  
Swing wash system  
Energy saving option EnerSave A++  
Buffer memory  
Display: Delayed start display, Program duration display, Time to end display  
Delay timer option up to 24 hours, with automatic soak  
Visual indicator: salt and rinse aid  
Active light  
Grey baskets  
Height adjustable upper basket on three horizontal levels  
Upper basket with central fixed racks  
Lower basket with single foldable rack  
10 place setting sliding cutlery basket  
Lower basket with anti-drop insert  
Single hot/cold water max 60°C alimentionation - energy save up to 35%

Annual water consumption: 2660 l/year  
Annual energy consumption: 210 kWh/year  
Noise level: 44 dB (A) RE 1 pW

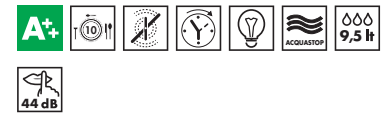
Current: 10 A  
Frequency: 50 Hz  
Voltage: 220-240 V

## STA4523

DISHWASHER, BUILT IN FULLY INTEGRATED,  
45 CM , SILVER



### PLUS AND OPTIONS:



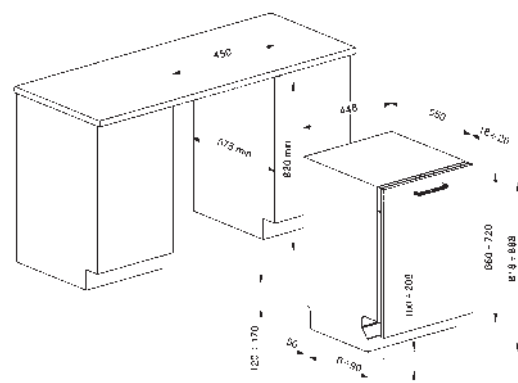
### PROGRAMS:



10 place settings  
Number of programs: 5  
Swing wash system  
Energy saving option EnerSave A++  
Buffer memory  
Delay timer option 3-6-9 hours, with automatic soak  
Visual indicator: salt and rinse aid  
Acoustic signal of time to end  
Grey baskets  
Height adjustable upper basket on three horizontal levels  
Upper basket with central fixed racks  
Lower basket with central fixed racks  
10 place setting sliding cutlery basket  
Lower basket with anti-drop insert  
Single hot/cold water max 60°C alimentionation - energy save up to 35%

Annual water consumption: 2660 l/year  
Annual energy consumption: 210 kWh/year  
Noise level: 44 dB (A) RE 1 pW

Current: 10 A  
Frequency: 50 Hz  
Voltage: 220-240 V



## DIC410

DISHWASHER, BUILT IN FULLY INTEGRATED, 45 CM, BLACK



### PLUS AND OPTIONS:



### PROGRAMS:



10 place settings  
 Number of programs: 5  
 Swing wash system  
 Buffer memory  
 Visual indicator: salt and rinse aid  
 Acoustic signal of time to end  
 Grey baskets  
 Height adjustable upper basket on two levels, by extraction  
 Upper basket with central fixed racks  
 Lower basket with central fixed racks  
 10 place setting sliding cutlery basket  
 Lower basket with anti-drop insert  
 Single hot/cold water max 60°C alimentation - energy save up to 35%

Annual water consumption: 2660 l/year  
 Annual energy consumption: 236 kWh/year  
 Noise level: 46 dB (A) RE 1 pW

Current: 10 A  
 Frequency: 50 Hz  
 Voltage: 220-240 V

## STA4505

DISHWASHER, BUILT IN FULLY INTEGRATED, 45 CM, BLACK



### PLUS AND OPTIONS:



### PROGRAMS:



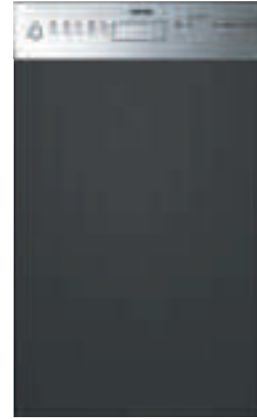
10 place settings  
 Number of programs: 5  
 Swing wash system  
 Buffer memory  
 Visual indicator: salt and rinse aid  
 Acoustic signal of time to end  
 Grey baskets  
 Height adjustable upper basket on two levels, by extraction  
 Upper basket with central fixed racks  
 Lower basket with central fixed racks  
 10 place setting sliding cutlery basket  
 Lower basket with anti-drop insert  
 Single hot/cold water max 60°C alimentation - energy save up to 35%

Annual water consumption: 2660 l/year  
 Annual energy consumption: 236 kWh/year  
 Noise level: 46 dB (A) RE 1 pW

Current: 10 A  
 Frequency: 50 Hz  
 Voltage: 220-240 V

## PLA4513X

DISHWASHER, SEMI INTEGRATED, ANTIFINGERPRINT STAINLESS STEEL, 45 CM



### PLUS AND OPTIONS:



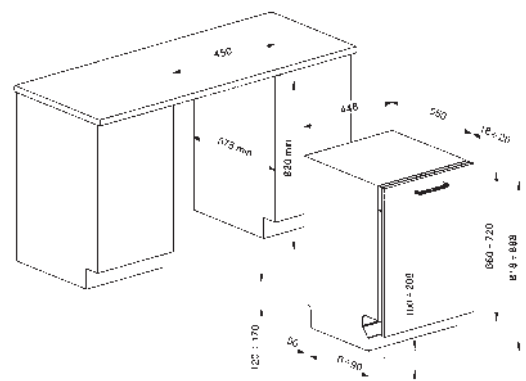
### PROGRAMS:



10 place settings  
 Number of programs: 9  
 Swing wash system  
 Buffer memory  
 Delay timer option 3-6-9 hours, with automatic soak  
 Visual indicator: salt and rinse aid  
 Indication of program duration and acoustic signal of time to end  
 Grey baskets  
 Height adjustable upper basket on three horizontal levels  
 Upper basket with central fixed racks  
 Lower basket with central fixed racks  
 10 place setting sliding cutlery basket  
 Lower basket with anti-drop insert  
 Single hot/cold water max 60°C alimentation - energy save up to 35%

Annual water consumption: 2660 l/year  
 Annual energy consumption: 236 kWh/year  
 Noise level: 45 dB (A) RE 1 pW

Current: 10 A  
 Frequency: 50 Hz  
 Voltage: 220-240 V



## STO905-1

DISHWASHER, BUILT-IN INTEGRATED, HORIZONTAL 90 CM ,  
STAINLESS STEEL



### PLUS AND OPTIONS:



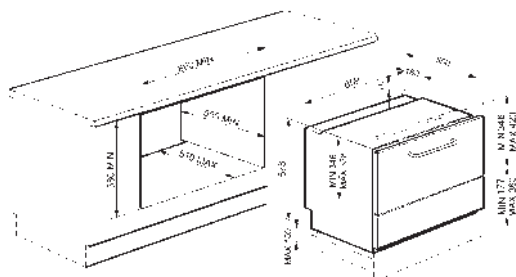
### PROGRAMS:



12 place settings  
Number of programs: 6 + 4 quick programs  
Double orbital wash system  
Buffer memory  
Display: Delayed start display  
Delay timer option up to 9 hours, with automatic soak  
Visual indicator: salt and rinse aid  
Acoustic signal of time to end  
Varied distribution 1/2 load option FlexiZone  
Stainless Steel basket with grey components  
Lower basket with completely foldable racks and glass holder  
12 place setting sliding cutlery basket  
Basket with anti-drop system  
Lower basket with anti-drop insert  
Single hot/cold water max 60°C alimentation - energy save up to 35%

Annual water consumption: 3220 l/year  
Annual energy consumption: 289 kWh/year  
Noise level: 43 dB (A) RE 1 pW

Current: 10 A  
Frequency: 50 Hz  
Voltage: 220-240 V

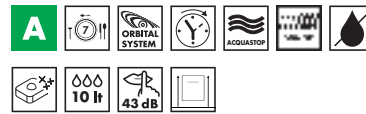


## STC75

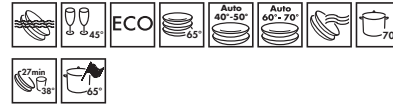
DISHWASHER, BUILT-IN INTEGRATED, 60 CM ,  
STAINLESS STEEL



### PLUS AND OPTIONS:



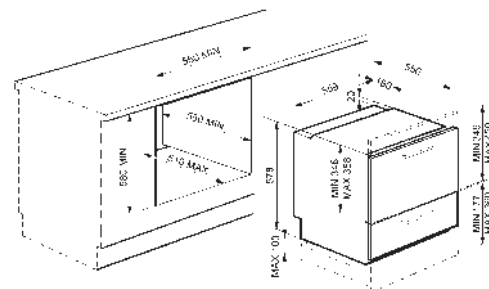
### PROGRAMS:



7 place settings  
Number of programs: 10  
Orbital washing system  
Buffer memory  
Display: Delayed start display  
Delay timer option up to 9 hours, with automatic soak  
Visual indicator: salt and rinse aid  
Light, with acoustic signal of time to end  
Stainless Steel basket with grey components  
Lower basket with completely foldable racks and glass holder  
12 place setting sliding cutlery basket  
Basket with anti-drop system  
Single hot/cold water max 60°C alimentation - energy save up to 35%

Annual water consumption: 2800 l/year  
Annual energy consumption: 208 kWh/year  
Noise level: 43 dB (A) RE 1 pW

Current: 10 A  
Frequency: 50 Hz  
Voltage: 220-240 V







DISHWASHERS BUILT-IN

STO905-1

### KIT4CX-1

45CM DOOR PANEL KIT, STAINLESS STEEL



Stainless steel door kit for fully integrated dishwashers  
Canali handle

### KIT6CX

60 CM DOOR PANEL KIT, BRUSHED ANTIFINGERPRINT STAINLESS STEEL



Brushed antifingerprint stainless steel door panel  
Dimensions WxH (cm): 60 x 72  
Canali handle

### KIT6CXF

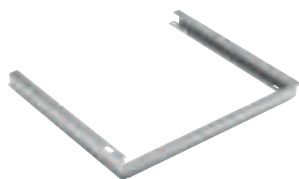
60 CM DOOR PANEL KIT BRUSHED ANTIFINGERPRINT STAINLESS STEEL



Can be fitted on the fully integrated dishwashers with Flexifit hinges  
Canali Handle

### KIT6FIL

STAINLESS STEEL PANEL



Can be fitted on the fully integrated dishwashers  
Canali handle

### KIT73624X

60 CM DOOR PANEL KIT WITH HANDLE



Antifingerprint stainless steel door with handle kit  
597x355 cm. - 597x235 cm.  
Suitable for STC75

### KIT73636X

60 CM DOOR PANEL KIT WITH HANDLE



Antifingerprint stainless steel door with handle kit  
Height: 36 cm + 36 cm  
Suitable for STC75

### KIT845PO-1

45 CM DOOR PANEL KIT, CREAM



Cream door with Colonial handle and details in brass colour, for fully integrated dishwashers

### KIT86CXF

STAINLESS STEEL PANEL



Specific for fully integrated dishwasher H86 with Flexifit hinges  
Canali handle

### KIT86VX

STAINLESS STEEL PANEL



Specific for fully integrated dishwasher H86 with no Flexifit hinges  
Victoria handle

### **KIT86X**

STAINLESS STEEL PANEL

### **KIT93624X**

90 CM DOOR PANEL KIT WITH HANDLE



Antifingerprint stainless steel door with handle kit  
Height: 36 cm + 24 cm  
Suitable for STO905-1

### **KIT93636X**

90 CM DOOR PANEL KIT WITH HANDLE



Antifingerprint stainless steel door with handle kit  
Height 36 cm + 36 cm  
Suitable for STO905-1

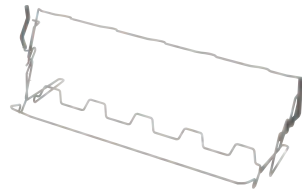
### **KITCH**

STAINLESS STEEL PANEL



### **KITGH**

KIT GLASS HOLDER



Suitable for 60 cm dishwashers with foldable rack in the first basket

### **KITOH**

STAINLESS STEEL PANEL



### **KITPL60B**

KICK PLATE, WHITE



White kick plate

### **KITPL60N**

KICK PLATE, BLACK

Black kick plate

### **KITPL60X**

KICK PLATE, STAINLESS STEEL

Kick plate in stainless steel

### **KITPL60FABB**

TOEKICK KIT



Toekick Kit in White colour with adjustable height. Can be fitted over all the fully integrated and underbench models with Fixed Fulcrum. Can be installed also on the models with variable fulcrum or flexifit hinges.

### **KITPL60FABN**

TOEKICK KIT

Toekick Kit in Black colour with adjustable height. Can be fitted over all the fully integrated and underbench models with Fixed Fulcrum. Can be installed also on the models with variable fulcrum or flexifit hinges.

### **KITPL60FABX**

TOEKICK KIT

Toekick Kit in Stainless Steel with adjustable height. Can be fitted over all the fully integrated and underbench models with Fixed Fulcrum. Can be installed also on the models with variable fulcrum or flexifit hinges.

### **KITPLV2**

CABLE EXTENSION KIT



2 m cable extension

# DISHWASHERS ACCESSORIES

	KIT4CX-1	KIT6CX	KIT6CXF	KIT6FIL	KIT845PO-1	KIT86VX	KIT86X	KIT93624X	KIT93636X	KITCH	KITGH	KITOH	KITPL60B	KITPL60FABB	KITPL60FABN	KITPL60FABX	KITPL60N	KITPL60X	KITPLV2	
DF612SVE																				•
DF613PBL											•									•
DF613PW											•									•
DF613PX											•									•
DI410T	•						•													•
LP364XS											•									•
LP364XT											•									•
LSA4511B																				•
LSA4525N																				•
LSA4525X																				•
LV612BLE																				•
LV612SVE																				•
LV612WE																				•
LVFABBL											•									•
LVFABCR											•									•
LVFABLI											•									•
LVFABOR											•									•
LVFABPB											•									•
LVFABPK											•									•
LVFABRD											•									•
LVFABSV											•									•
LVS2122BIN																				•
LVS2122SIN																				•
LVS3222BIN											•									•
LVS4322XIN											•									•
LVS4334BIN											•									•
LVS4334XIN											•									•
LVS43STXIN											•									•
LVS532XIN											•									•
LVS533XIN											•									•
PL4123XIN											•		•					•	•	•
PL4325XIN											•		•					•	•	•
PL7233TX											•		•					•	•	•
PLA4513X	•																			•
ST22123		•												•	•	•				•
ST2FABBL											•			•	•	•				•
ST2FABCR											•			•	•	•				•
ST2FABPK											•			•	•	•				•
ST2FABRD											•			•	•	•				•
ST2FABRDK											•			•	•	•				•
ST2FABWH											•			•	•	•				•
ST733TL-2		•									•							•	•	•
ST868TL-2										•	•	•	•					•	•	•
STA4505	•																			•
STA4523	•																			•
STA4525	•																			•
STA4526	•																			•
STA6539L3		•																		•
STA7233L																				•
STE8239L																				•
STE8244L																				•
STL22124																				•
STL26123																				•
STL62327L																				•
STL62335L																				•
STL66322L																				•
STL66337L																				•
STL7221L																				•
STL7224L																				•
STL7233L																				•
STL7235L																				•
STL7621L																				•
STP364S																				•
STP364T																				•
STX13OL																				•
STX3CL																				•

# WASHING AND DRYING MACHINES

Attention to details, ease of use, performance excellent and durability are the hallmarks of Smeg washing and drying machines. A wide range allows you to combine required functionalities and sought-after style.



# Laundry range

*optimum choice*

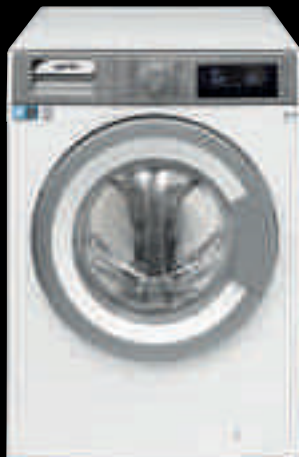
Superior durability and top performances are the core values of the laundry range. Smeg offers a wide choice of freestanding laundry products – from 50's Retro style washing machines, designed to coordinate with the iconic FAB refrigeration range, to stylish stainless/steel or white models. Smeg also offers built-in laundry products to complete the range.



**50'S RETRO STYLE**



**STAINLESS STEEL**



**WHITE**



**BUILT-IN**



# LAUNDRY TECHNOLOGIES

## *advanced technologies*



### STEAM OPTION

The steam is perfect for smoothing out creases, refreshing fabrics, neutralizing odors and releasing dirt, destroying allergens more quickly than by washing the item in water.



### DIRECT MOTION

Electronic controls ensures maximum performance at any spin speed, along with more silent operation and greater safety when washing delicate items, thanks to a significant reduction in vibration. For models with 11 kg load capacity.



### WOOLMARK LABELLED

The wool wash cycle has been approved by The Woolmark Company for the washing of wool garments labelled as "hand wash" provided that the garments are washed according to the instructions issued by the manufacturer.



### INVERTER TECHNOLOGY

The evolution of Smeg's dryers towards more intelligent and environmentally sustainable models has led to the choice of using Inverter technology with heat pumps, which significantly reduces energy consumption.



### MAXI CAPACITY

Some models allow loading up to 11 kg, thus meeting the needs of large volume washing.



### TOTAL ACQUASTOP

3 levels of anti-flood devices to ensure protection against water leakage.



### DOOR

The diameter of the door is up to 40 cm, depending on the model, and its opening is up to 180° in some cases for the maximum comfort of use.



### TOUCH DISPLAY

Easy to use touch controls allow setting the machine with a simple touch.



## DRYING MACHINES

# *practicality and technology*



Low energy consumption.



The wool drying cycle has been approved by The Woolmark Company.



### INVERTER TECHNOLOGY

The evolution of Smeg's driers towards more intelligent and environmentally sustainable models has led to the choice of using Inverter technology with heat pumps, which significantly reduces energy consumption.



Comfortable door with diameter up to 40 cm.



Drying capacity up to 8 kg.



Our tumble dryers with heat pump technology offer maximum efficiency and the lowest energy consumption on the market.



Useful internal lighting.



As illustrated here, some washing machines can be stacked with the heat pump dryer by using the stacking kit.

## SMEG LAUNDRY

# *universal features*

With its special structure, the Flexi Wash drum allows washing of various types of fabrics. Rotation speed and direction change according to requirements and guarantee the best washing results.



Maxi washing machines stand out with their energy class A++, A+++, depending on the model, allowing great energy saving.



### **AQUACARE DRUM**

The heart-shaped drum provides complete care and excellent performance for your laundry. With fewer and smaller holes than an average drum, more water is held inside the drum during the wash cycle. The clothes are cushioned by this protective layer of water and the result is reduced wear and tear of fabrics.



Thanks to the new tank and drum, Smeg washing machines allow from small to big loads, up to 11 kg, and up to 8 kg for dryers.

## LBB14CR-2

FREE-STANDING WASHING MACHINE,  
FRONT LOAD, 50'S RETRO STYLE, CREAM



## LBB14PB-2

FREE-STANDING WASHING MACHINE,  
FRONT LOAD, 50'S RETRO STYLE, LIGHT BLUE



## LBB14PK-2

FREE-STANDING WASHING MACHINE,  
FRONT LOAD, 50'S RETRO STYLE, PINK



### PLUS AND OPTIONALS:



### SPECIAL PROGRAMS:



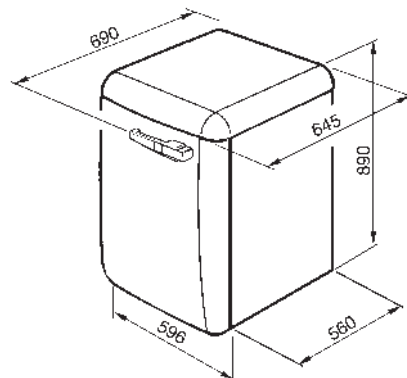
15 washing programs  
Programmes: Cotton, Cotton ECO, Quick wash, Rinse + spin, Synthetics, Sport, Night, Drain + spin, Hand wash, Shirt, Softening, Delicate, Jeans, Wool, Mix  
Normative programmes Cotton 60°C and Cotton 40°C  
Washing capacity: 7 Kg  
Display: Residual time visualization, Delay start set, Recommended load indication, Program status indication  
Electronic controls  
Program selection knob  
Display/LED for temperature regulation  
Automatic variable load  
Water protection system  
Buffer memory  
Door opening: 110°  
Polypropylene tank  
Stainless steel drum

Nominal power: 2200 W  
Total annual water consumption: 10340 litres  
Washing efficiency: class A  
Noise level washing: 59 dB(A) re 1pW  
Spin efficiency: class B  
Noise level spinning: 78 dB(A) re 1pW  
Max spin speed 1400 rpm

Current: 10 A  
Frequency: 50 Hz  
Voltage: 220-240 V

## LBB14WH-2

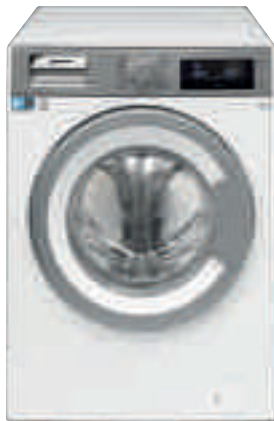
FREE-STANDING WASHING MACHINE,  
FRONT LOAD, 50'S RETRO STYLE, WHITE



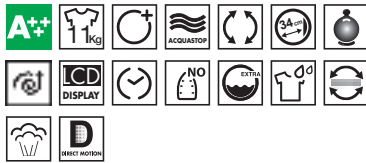


## WHT114LSIN

FREE-STANDING WASHING MACHINE,  
FRONT LOAD, WHITE



### PLUS AND OPTIONAL:



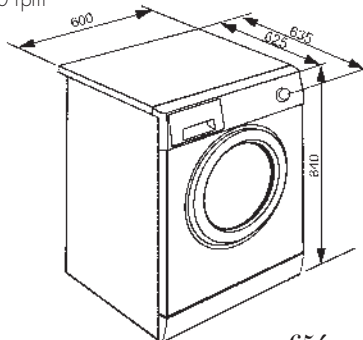
### SPECIAL PROGRAMS:



16 washing programs  
 Programmes: Cotton, Cotton ECO, Drain + spin, Refresh, Silk, Synthetics, Ultra delicate, Sport, Quick wash 14 min, Mix, Shirt, Hygiene care, Dark wash, Woolmark Hand Wash Safe, Hand wash, Duvet  
 Normative programmes Cotton 60°C and Cotton 40°C  
 Washing capacity: 11 Kg  
 Display: Residual time visualization, Delay start set, Program status indication, Spin regulation, Temperature regulation  
 Steam option  
 Electronic controls  
 Program selection knob  
 Display/LED for temperature regulation  
 Automatic variable load  
 Water protection system  
 Buffer memory  
 Door opening: 170°  
 Polypropylene tank  
 Stainless steel drum  
 Direct motion  
 Wool cycle has been approved by 'The Woolmark company': M14104

Nominal power: 2200 W  
 Total annual water consumption: 13200 litres  
 Washing efficiency: class A  
 Noise level washing: 59 dB(A) re 1pW  
 Spin efficiency: class B  
 Noise level spinning: 76 dB(A) re 1pW  
 Max spin speed 1400 rpm

Current: 10 A  
 Frequency: 50 Hz  
 Voltage: 230 V

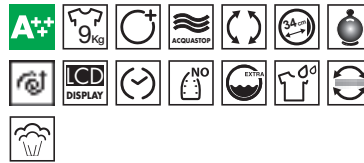


## WHT914LSIN

FREE-STANDING WASHING MACHINE,  
FRONT LOAD, WHITE



### PLUS AND OPTIONAL:



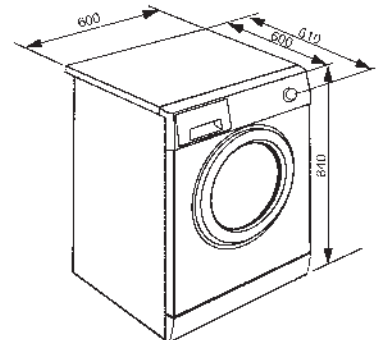
### SPECIAL PROGRAMS:



16 washing programs  
 Programmes: Cotton, Cotton ECO, Refresh, Quick wash 14 min, Drain + spin, Synthetics, Curtain, Sport, Duvet, Hand wash, Shirt, Hygiene care, Dark wash, Delicate, Woolmark Apparel Care, Mix  
 Normative programmes Cotton 60°C and Cotton 40°C  
 Washing capacity: 9 Kg  
 Display: Residual time visualization, Delay start set, Program status indication, Spin regulation, Temperature regulation  
 Steam option  
 Electronic controls  
 Program selection knob  
 Display/LED for temperature regulation  
 Automatic variable load  
 Water protection system  
 Buffer memory  
 Door opening: 170°  
 Polypropylene tank  
 Stainless steel drum  
 Wool cycle has been approved by 'The Woolmark company': M13985

Nominal power: 2200 W  
 Total annual water consumption: 10560 litres  
 Washing efficiency: class A  
 Noise level washing: 53 dB(A) re 1pW  
 Spin efficiency: class B  
 Noise level spinning: 76 dB(A) re 1pW  
 Max spin speed 1400 rpm

Current: 10 A  
 Frequency: 50 Hz  
 Voltage: 230 V





LAUNDRY  
FREE STANDING

WHT114LSIN

## WHT814EIN

FREE-STANDING WASHING MACHINE,  
FRONT LOAD, WHITE



### PLUS AND OPTIONALS:



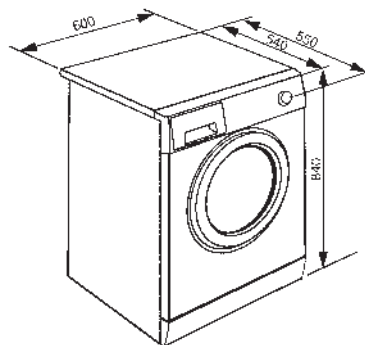
### SPECIAL PROGRAMS:



16 washing programs  
Cotton, Cotton ECO, Hygiene care, Shirt,  
Dark wash, Delicate 20°, Quick wash 14 min,  
Jeans, Woolmark Apparel Care, Hand wash,  
Lingerie, Mix, Drain + spin, Synthetics, Sport,  
Curtain  
Normative programmes Cotton 60°C and  
Cotton 40°C  
Washing capacity: 8 Kg  
Display: Residual time visualization, Delay start  
set, Program status indication, Spin regulation,  
Temperature regulation  
Electronic controls  
Program selection knob  
Display/LED for temperature regulation  
Automatic variable load  
Water protection system  
Buffer memory  
Door opening: 170°  
Polypropylene tank  
Stainless steel drum  
Wool cycle has been approved by 'The  
Woolmark company': M1325

Nominal power: 2200 W  
Total annual water consumption: 10560 litres  
Washing efficiency: class A  
Noise level washing: 53 dB(A) re 1pW  
Spin efficiency: class B  
Noise level spinning: 76 dB(A) re 1pW  
Max spin speed 1400 rpm

Current: 10 A  
Frequency: 50 Hz  
Voltage: 230 V

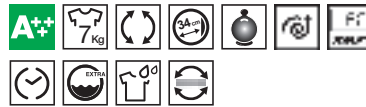


## WHT712EIN

FREE-STANDING WASHING MACHINE,  
FRONT LOAD, WHITE



### PLUS AND OPTIONALS:



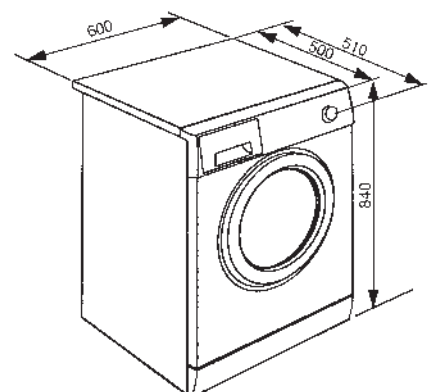
### SPECIAL PROGRAMS:



16 washing programs  
Programmes: Cotton ECO, Cotton, Quick  
wash 14 min, Mix, Drain + spin, Synthetics,  
Curtain, Sport, Lingerie, Woolmark Apparel  
Care, Shirt, Hygiene care, Dark wash,  
Delicate, Jeans, Delicate 20°, Hand wash  
Normative programmes Cotton 60°C and  
Cotton 40°C  
Washing capacity: 7 Kg  
Display: Residual time visualization, Delay start  
set, Program status indication, Spin regulation,  
Temperature regulation  
Electronic controls  
Program selection knob  
Display/LED for temperature regulation  
Automatic variable load  
Water protection system  
Buffer memory  
Door opening: 170°  
Polypropylene tank  
Stainless steel drum  
Wool cycle has been approved by 'The  
Woolmark company': M1325

Nominal power: 2200 W  
Total annual water consumption: 9460 litres  
Washing efficiency: class A  
Noise level washing: 55 dB(A) re 1pW  
Spin efficiency: class B  
Noise level spinning: 76 dB(A) re 1pW  
Max spin speed 1200 rpm

Current: 10 A  
Frequency: 50 Hz  
Voltage: 230 V





## LSE147

FREE-STANDING WASHING MACHINE,  
FRONT LOAD, WHITE



### PLUS AND OPTIONALS:



### SPECIAL PROGRAMS:



15 washing programs  
 Programmes: Cotton, Cotton ECO, Quick wash, Rinse + spin, Synthetics, Sport, Clean, Drain + spin, Mix, drying intensive, Dryin gentle, Shirt, Delicate, Wool, Night  
 Drying programs  
 Drying capacity: 4 Kg  
 Display: Residual time visualization, Delay start set, Recommended load indication, Program status indication  
 Electronic controls  
 Program selection knob  
 Display/LED for temperature regulation  
 Automatic variable load  
 Water protection system  
 Buffer memory  
 Door opening: 180°  
 Polypropylene tank  
 Stainless steel drum  
 Single, cold water alimentation

Nominal power: 2000 W  
 Energy consumption (washing + drying): 4.76 KWh  
 Noise level drying: 61 dB(A) re 1pW

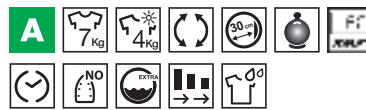
Current: 10 A  
 Frequency: 50 Hz  
 Voltage: 220-240 V

## WDF6127-1

FREE-STANDING WASHING MACHINE,  
FRONT LOAD, WHITE



### PLUS AND OPTIONALS:



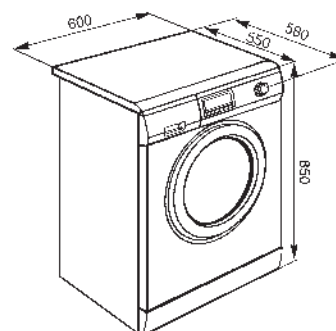
### SPECIAL PROGRAMS:



15 washing programs  
 Programmes: Cotton, Cotton ECO, Super fast 15 min, Rinse + spin, Synthetics, Sport, Clean, Drain + spin, Mix, drying intensive, Dryin gentle, Shirt, Delicate, Wool, Night  
 Drying programs  
 Drying capacity: 4 Kg  
 Display: Residual time visualization, Delay start set, Recommended load indication, Program status indication  
 Electronic controls  
 Program selection knob  
 Display/LED for temperature regulation  
 Automatic variable load  
 Water protection system  
 Buffer memory  
 Door opening: 180°  
 Polypropylene tank  
 Stainless steel drum  
 Single, cold water alimentation

Nominal power: 2000 W  
 Energy consumption (washing + drying): 5.44 KWh  
 Noise level drying: 60 dB(A) re 1pW

Current: 10 A  
 Frequency: 60 Hz  
 Voltage: 220-240 V



## SLB147X-2

FREE-STANDING WASHING MACHINE,  
FRONT LOAD, STAINLESS STEEL



### PLUS AND OPTIONALS:



### SPECIAL PROGRAMS:



15 washing programs  
 Programmes: Cotton, Cotton ECO, Quick wash, Rinse + spin, Synthetics, Sport, Night, Drain + spin, Hand wash, Shirt, Softening, Delicate, Jeans, Wool, Mix  
 Normative programmes Cotton 60°C and Cotton 40°C  
 Washing capacity: 7 Kg  
 Display: Residual time visualization, Delay start set, Recommended load indication, Program status indication  
 Electronic controls  
 Program selection knob  
 Display/LED for temperature regulation  
 Automatic variable load  
 Water protection system  
 Buffer memory  
 Door opening: 180°  
 Polypropylene tank  
 Stainless steel drum

Nominal power: 2200 W  
 Total annual water consumption: 10340 litres  
 Washing efficiency: class A  
 Noise level washing: 59 dB(A) re 1pW  
 Spin efficiency: class B  
 Noise level spinning: 78 dB(A) re 1pW  
 Max spin speed 1400 rpm

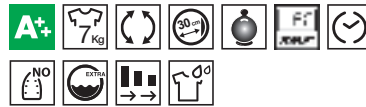
Current: 10 A  
 Frequency: 50 Hz  
 Voltage: 220-240 V

## SLB127-2

FREE-STANDING WASHING MACHINE,  
FRONT LOAD, WHITE



### PLUS AND OPTIONALS:



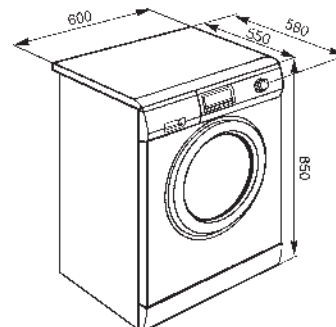
### SPECIAL PROGRAMS:



15 washing programs  
 Programmes: Cotton, Cotton ECO, Quick wash, Rinse + spin, Synthetics, Sport, Night, Drain + spin, Hand wash, Shirt, Softening, Delicate, Jeans, Wool, Mix  
 Normative programmes Cotton 60°C and Cotton 40°C  
 Washing capacity: 7 Kg  
 Display: Residual time visualization, Delay start set, Recommended load indication, Program status indication  
 Electronic controls  
 Program selection knob  
 Display/LED for temperature regulation  
 Automatic variable load  
 Water protection system  
 Buffer memory  
 Door opening: 180°  
 Polypropylene tank  
 Stainless steel drum

Nominal power: 2200 W  
 Total annual water consumption: 10340 litres  
 Washing efficiency: class A  
 Noise level washing: 59 dB(A) re 1pW  
 Spin efficiency: class C  
 Noise level spinning: 73 dB(A) re 1pW  
 Max spin speed 1200 rpm

Current: 10 A  
 Frequency: 50 Hz  
 Voltage: 220-240 V





LAUNDRY  
FREE STANDING

SLB147X-2

## LST147-2

FULLY INTEGRATED WASHING MACHINE,  
FRONT LOAD, WHITE



### PLUS AND OPTIONALS:



### SPECIAL PROGRAMS:



15 washing programs  
 Programmes: Cotton, Cotton ECO, Quick wash, Rinse + spin, Synthetics, Sport, Night, Drain + spin, Hand wash, Shirt, Softening, Delicate, Jeans, Wool, Mix  
 Normative programmes Cotton 60°C and Cotton 40°C  
 Washing capacity: 7 Kg  
 Display: Residual time visualization, Delay start set, Program status indication, Spin regulation, Temperature regulation  
 Electronic controls  
 Automatic variable load  
 Water protection system  
 Buffer memory  
 Door opening: 110°  
 Polypropylene tank  
 Stainless steel drum

Nominal power: 2200 W  
 Total annual water consumption: 10340 litres  
 Washing efficiency: class A  
 Noise level washing: 56 dB(A) re 1pW  
 Spin efficiency: class B  
 Noise level spinning: 72 dB(A) re 1pW  
 Max spin speed 1400 rpm

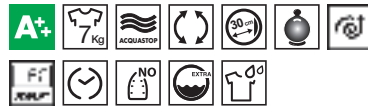
Current: 10 A  
 Frequency: 50 Hz  
 Voltage: 220-240 V

## LST127-2

FULLY INTEGRATED WASHING MACHINE,  
FRONT LOAD, WHITE



### PLUS AND OPTIONALS:



### SPECIAL PROGRAMS:



15 washing programs  
 Programmes: Cotton, Cotton ECO, Quick wash, Rinse + spin, Synthetics, Sport, Night, Drain + spin, Hand wash, Shirt, Softening, Delicate, Jeans, Wool, Mix  
 Normative programmes Cotton 60°C and Cotton 40°C  
 Washing capacity: 7 Kg  
 Display: Residual time visualization, Delay start set, Program status indication, Spin regulation, Temperature regulation  
 Electronic controls  
 Automatic variable load  
 Water protection system  
 Buffer memory  
 Door opening: 110°  
 Polypropylene tank  
 Stainless steel drum

Nominal power: 2200 W  
 Total annual water consumption: 10340 litres  
 Washing efficiency: class A  
 Noise level washing: 56 dB(A) re 1pW  
 Spin efficiency: class C  
 Noise level spinning: 70 dB(A) re 1pW  
 Max spin speed 1200 rpm

Current: 10 A  
 Frequency: 50 Hz  
 Voltage: 220-240 V

## LST107-2

FULLY INTEGRATED WASHING MACHINE,  
FRONT LOAD, WHITE



### PLUS AND OPTIONALS:



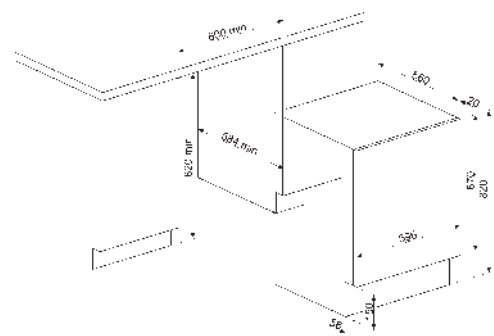
### SPECIAL PROGRAMS:



15 washing programs  
 Programmes: Cotton 40°, Cotton cold, Cotton 90°, Cotton 60°, Drain + spin, Synthetics 30°, Synthetics cold, Rinse + spin, Synthetics 40°, Woll cold, Shirt, Delicate 30°, Woll 30°, Mix 30°, Quick wash 30°  
 Normative programmes Cotton 60°C and Cotton 40°C  
 Washing capacity: 7 Kg  
 Display: Residual time visualization, Delay start set, Program status indication, Spin regulation  
 Electronic controls  
 Automatic variable load  
 Water protection system  
 Buffer memory  
 Door opening: 110°  
 Polypropylene tank  
 Stainless steel drum

Nominal power: 2200 W  
 Total annual water consumption: 10340 litres  
 Washing efficiency: class A  
 Noise level washing: 56 dB(A) re 1pW  
 Spin efficiency: class C  
 Noise level spinning: 68 dB(A) re 1pW  
 Max spin speed 1000 rpm

Current: 10 A  
 Frequency: 50 Hz  
 Voltage: 220-240 V



## WDI12C7K

FULLY INTEGRATED WASHING MACHINE,  
FRONT LOAD, WHITE



### PLUS AND OPTIONALS:



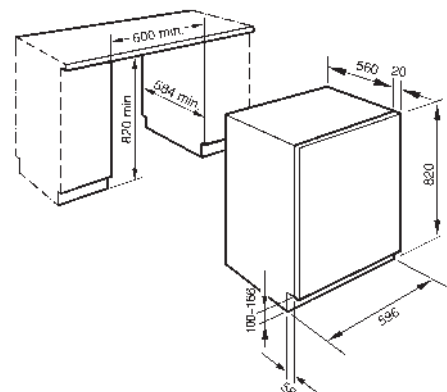
### SPECIAL PROGRAMS:



15 washing programs  
Programmes: Cotton 40°, Cotton cold, Cotton 90°, Cotton 60°, Rinse + spin, Drain + spin, Synthetics 40°, Quick wash 30°, Synthetics 30°, Delicate 30°, Dryin gentle, drying intensive, Clean, Delicates cold, Mix 30°  
Drying programs  
Drying capacity: 4 Kg  
Display: Residual time visualization, Delay start set, Recommended load indication, Program status indication, Spin regulation  
Electronic controls  
Automatic variable load  
Water protection system  
Buffer memory  
Door opening: 180°  
Polypropylene tank  
Stainless steel drum  
Single, cold water alimentation

Nominal power: 2000 W  
Energy consumption (washing + drying):  
5.44 KWh  
Noise level drying: 58 dB(A) re 1pW

Current: 10 A  
Frequency: 60 Hz  
Voltage: 220-240 V



## LSTA147

FULLY INTEGRATED WASHING MACHINE,  
FRONT LOAD, WHITE



### PLUS AND OPTIONALS:



### SPECIAL PROGRAMS:



15 washing programs  
Programmes: Cotton, Cotton ECO, Quick wash, Rinse + spin, Synthetics, Sport, Clean, Drain + spin, Mix, drying intensive, Dryin gentle, Shirt, Delicate, Wool, Night  
Drying programs  
Drying capacity: 4 Kg  
Display: Residual time visualization, Delay start set, Recommended load indication  
Electronic controls  
Program selection knob  
Display/LED for temperature regulation  
Automatic variable load  
Water protection system  
Buffer memory  
Door opening: 110°  
Polypropylene tank  
Stainless steel drum  
Single, cold water alimentation

Nominal power: 2200 W  
Energy consumption (washing + drying): 4.76 KWh  
Noise level drying: 58 dB(A) re 1pW

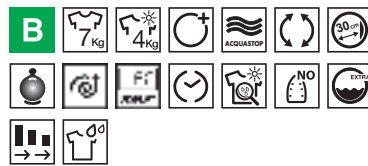
Current: 10 A  
Frequency: 50 Hz  
Voltage: 220-240 V

## LSTA147S

FULLY INTEGRATED WASHING MACHINE,  
FRONT LOAD, WHITE



### PLUS AND OPTIONALS:



### SPECIAL PROGRAMS:



15 washing programs  
Programmes: Cotton, Cotton ECO, Quick wash, Rinse + spin, Synthetics, Sport, Clean, Drain + spin, Mix, drying intensive, Dryin gentle, Shirt, Delicate, Wool, Night  
Drying programs  
Drying capacity: 4 Kg  
Display: Residual time visualization, Delay start set, Recommended load indication, Program status indication, Spin regulation, Temperature regulation  
Electronic controls  
Program selection knob  
Display/LED for temperature regulation  
Automatic variable load  
Water protection system  
Humidity sensor  
Buffer memory  
Door opening: 110°  
Polypropylene tank  
Stainless steel drum  
Single, cold water alimentation

Nominal power: 2200 W  
Energy consumption (washing + drying): 4.76 KWh  
Noise level drying: 58 dB(A) re 1pW

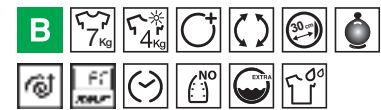
Current: 10 A  
Frequency: 50 Hz  
Voltage: 220-240 V

## LSTA127

FULLY INTEGRATED WASHING MACHINE,  
FRONT LOAD, WHITE



### PLUS AND OPTIONALS:



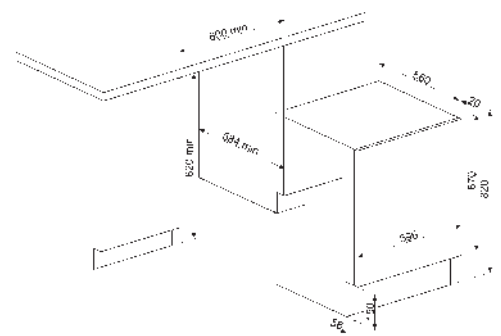
### SPECIAL PROGRAMS:



15 washing programs  
Programmes: Cotton 40°, Cotton cold, Cotton 90°, Cotton 60°, Rinse + spin, Drain + spin, Synthetics 40°, Quick wash 30°, Synthetics 30°, Wall cold, Dryin gentle, drying intensive, Delicate 30°, Mix 30°, Clean  
Drying programs  
Drying capacity: 4 Kg  
Display: Residual time visualization, Delay start set, Recommended load indication, Program status indication, Spin regulation  
Electronic controls  
Program selection knob  
Display/LED for temperature regulation  
Automatic variable load  
Water protection system  
Buffer memory  
Door opening: 110°  
Polypropylene tank  
Stainless steel drum  
Single, cold water alimentation

Nominal power: 2200 W  
Energy consumption (washing + drying): 5.44 KWh  
Noise level drying: 58 dB(A) re 1pW

Current: 10 A  
Frequency: 50 Hz  
Voltage: 220-240 V





LAUNDRY BUILT-IN

LSTA147

## DHT83LIN

TUMBLE DRYER, FREE-STANDING, WHITE



### PLUS:



### SPECIAL PROGRAMS:



Condensing with heat pump drying  
16 program  
Dimensions of the product HxWxD (mm):  
846x595x609  
Load capacity (cotton): 8 kg  
Electronics controls  
Display: Delay timer, Rest time indication,  
Visualisation of the selected options  
Drum volume: 118 lt  
Stainless steel drum  
Time drying selection from 10 up to 160 min  
Dying temperature regulation  
Delay timer option 24 hours  
End cycle acoustic signal function  
Woolmark code: M14029  
Cooling down phase  
Indicator condense container full  
Clean filter indicator  
Condenser filter  
Fluffy filter  
Installation with or without draining pipe

Current: 10 A  
Frequency: 50 Hz  
230-240 V

## DHT82EIN

TUMBLE DRYER, FREE-STANDING, WHITE



### PLUS:



### SPECIAL PROGRAMS:



Condensing with heat pump drying  
16 program  
Dimensions of the product HxWxD (mm):  
846x595x609  
Load capacity (cotton): 8 kg  
Electronics controls  
Display: Delay timer, Rest time indication,  
Visualisation of the selected options  
Drum volume: 118 lt  
Stainless steel drum  
Dying temperature regulation with programme  
selection  
Delay timer option 24 hours  
End cycle acoustic signal function  
Cooling down phase  
Indicator condense container full  
Clean filter indicator  
Condenser filter  
Fluffy filter  
Installation with or without draining pipe  
Nominal power: 0.90 kW

Current: 10 A  
Frequency: 50 Hz  
230-240 V

## DHT71EIN

TUMBLE DRYER, FREE-STANDING, WHITE



### PLUS:

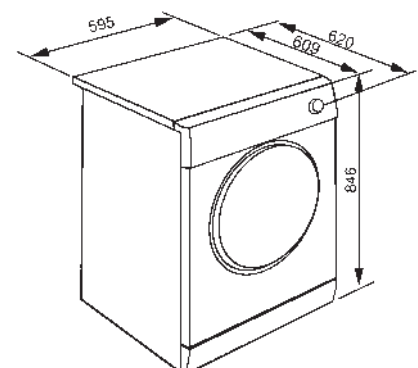


### SPECIAL PROGRAMS:



Condensing with heat pump drying  
16 program  
Dimensions of the product HxWxD (mm):  
846x595x540  
Load capacity (cotton): 7 kg  
Electronics controls  
Display: Delay timer, Rest time indication,  
Visualisation of the selected options  
Drum volume: 102 lt  
Stainless steel drum  
Dying temperature regulation with programme  
selection  
Delay timer option 24 hours  
End cycle acoustic signal function  
Cooling down phase  
Indicator condense container full  
Clean filter indicator  
Condenser filter  
Fluffy filter  
Installation with or without draining pipe  
Nominal power: 0.90 kW

Current: 10 A  
Frequency: 50 Hz  
230-240 V





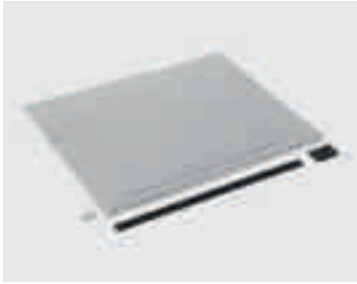


LAUNDRY FREE STANDING

DHT83LIN

## KIT60TOP

STEEL PANEL



Steel panel to be fitted on the top in case the original top panel is removed due to an undertop fitting.

## KITPLV2

CABLE EXTENSION KIT



2 m cable extension

## KITSPF-1

STACKING KIT



Stacking kit for washing machine and dryer deep 54 cm.

## KITWDHE1

RISING KIT



Rising kit for built-in washing machines and washer-dryers  
It allows to increase the machine's height by 50 mm

## KITSPXL

STACKING KIT



Stacking kit available for washing machines and dryers 60 cm deep  
Not suitable for SLB models

## KITSPXLS

SILVER STACKING KIT



Stacking kit available for 60 cm depth dryers.

## WASHING MACHINES ACCESSORIES

	KIT60TOP	KITPLV2	KITWDHE1
LBB14CR-2	•	•	
LBB14PB-2	•		
LBB14PK-2	•	•	
LBB14WH-2	•	•	
LST107-2		•	•
LST127-2		•	•
LST147-2		•	•
LSTA127			•
LSTA147			•
LSTA147S			•
SLB127-2	•	•	
SLB147X-2	•	•	
WDF6127-1	•		
WDI12C7K			•
WHT712EIN		•	
WHT814EIN		•	
WHT914LSIN		•	
WHT1114LSIN		•	

## DRYERS ACCESSORIES

	KITSPF-1	KITSPXL
DHT71EIN	•	
DHT82EIN		•
DHT83LIN		•

# SINKS AND TAPS

Smeg sinks and taps are high quality products with captivating designs and aesthetics. Choice of materials and components is oriented at the perfect matching with the working surface.



# Well designed sinks

## *a finishing touch*

Our new sinks combine the most recent trends for models with minimalist style and a strong focus on ease of use, achieved through in-depth design studies. This range is characterised above all by its elegance and comfort of use.



**STAINLESS STEEL WITH GLASS BOARDS**



**PVD COVERED**



**STAINLESS STEEL**



**COMPOSITE**

## MAXIMUM VARIETY

# *types of installation*

Available with different fittings, Smeg sinks are designed to best suit the layout of your working surface. Presence of two bowls in the same sink makes possible to organize more ergonomically the kitchen space.



### **STANDARD**

Traditional installation of sink on tabletop, suitable for any kitchen.



### **FLAT FITTED**

Installation of sink with 1mm edge. Suitable for sinks with flat edge.



### **FLUSH FITTED**

Models of sink which are flush integrated with tabletop.



### **UNDERMOUNT**

Installation of sink under tabletop to extend the work surface and the depth of the sink.



### **LOW**

Installation of sink with 3 mm edge.



The majority of Smeg sinks are 245 mm deep or more, approximately 40% deeper than most other sinks on the market, offering a greater capacity and versatility of use.

## *accessories*



Smeg sinks can be personalized using different accessories such as drainer baskets, colanders and glass or hardwood chopping boards that fit perfectly over the sink, maximizing the space.

## FUNCTIONALITY & DESIGN

# *practical solution*

### **FLAT PLUG**

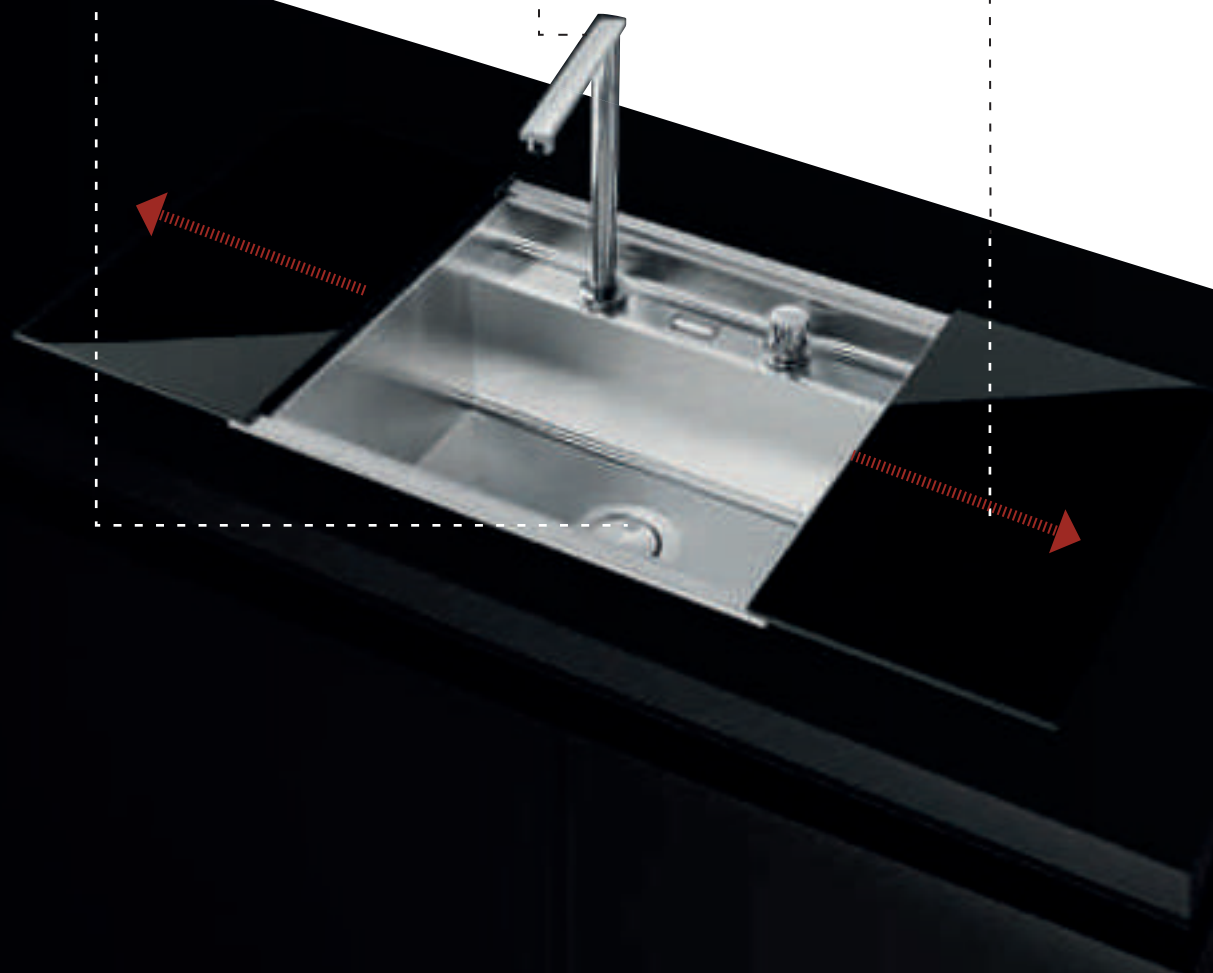
Special flat stainless-steel plug allows the base of the sink to be kept completely flat.

### **RETRACTABLE MIXER**

Intelligent solution for kitchen with window behind the sink: the tap can be hidden below glass chopping desks.

### **SLIDING CHOPPING BOARDS**

Two glass boards on a stainless steel base close the sink, creating an attractive, practical and minimalist kitchen design element with a completely flat surface.





## TAPS

# *perfect combination*

To coordinate perfectly with your Smeg sink, why not choose a stylish Smeg tap? Select from either brushed or polished stainless steel, composite or chrome finishes, as well as taps with single or twin levers, or taps with pull-out spout-sprays



# *respect for the environment*

Some models of taps are designed in a special way to contribute to energy and water savings



### **WATER SAVING CARTRIDGE**

With WSC system the mixer lever stops halfway, providing just 50% of the normal water flow, which is sufficient for standard washing and cooking and helps to reduce water consumption.

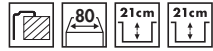


### **ENERGY SAVING CARTRIDGE**

The mixer lever, set in a central position, supplies only cold water instead of 50% + 50% of hot and cold. For hot water, turn the lever to the left. This reduces the useless flow of hot water.

## LPD116D

STANDARD SINK, PIANO DESIGN, STAINLESS STEEL



Minimum base unit: 80 cm

Traditional bowl

Radius corner right bowl: 80 mm

Strainer dimension right bowl: 3.5"

Traditional overflow

Traditional bowl

Radius corner left bowl: 80 mm

Strainer dimension left bowl: 3.5"

Standard sink

Right drainer

Drainer inclination: 2 °

Frame depth (mm): 5

Frame thickness: 0.7 mm

Polished stainless steel

Polished aisi304 stainless steel

1 tap hole

Right bowl dimensions WxLxD (mm): 340 x 400 x 210

Left bowl dimensions WxLxD (mm): 340 x 400 x 210

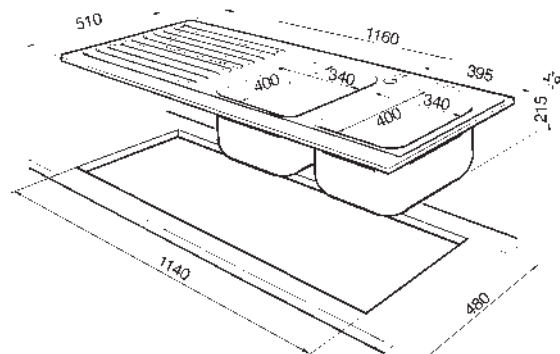
Accessories for installation: Strainer, Siphon with dishwasher outlet connection, Fixing clips, Gasket

### ALSO AVAILABLE

LPD116S

Left drainer

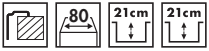
Sink





## LPD862

STANDARD SINK, PIANO DESIGN, STAINLESS STEEL



Minimum base unit: 80 cm  
 Traditional bowl  
 Radius corner right bowl: 80 mm  
 Strainer dimension right bowl: 3.5"  
 Traditional overflow  
 Traditional bowl  
 Radius corner left bowl: 80 mm  
 Strainer dimension left bowl: 3.5"  
 Standard sink  
 Frame depth (mm): 5  
 Frame thickness: 0.7 mm  
 Polished stainless steel  
 Polished aisi304 stainless steel  
 1 tap hole  
 Right bowl dimensions WxLxD (mm): 340 x 400 x 210  
 Left bowl dimensions WxLxD (mm): 340 x 400 x 210

Accessories for installation: Strainer, Siphon with dishwasher outlet connection, Fixing clips, Gasket

## LPD861D

STANDARD SINK, PIANO DESIGN, STAINLESS STEEL

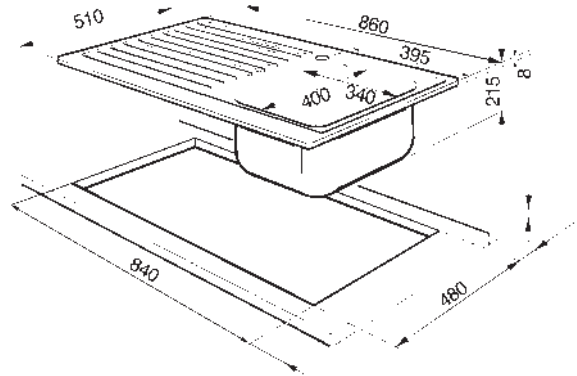
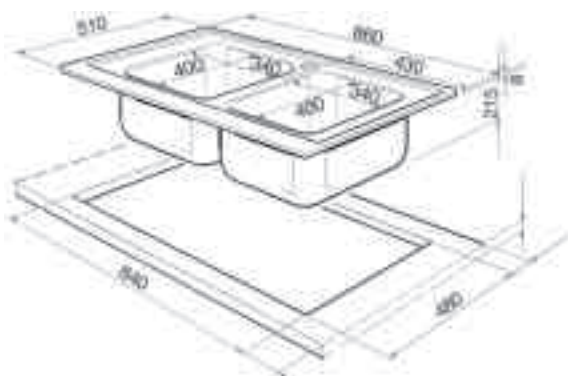


Minimum base unit: 45 cm  
 Traditional bowl  
 Radius corner: 80 mm  
 Strainer dimension: 3.5"  
 Traditional overflow  
 Standard sink  
 Right drainer  
 Drainer inclination: 2 °  
 Frame depth (mm): 5  
 Frame thickness: 0.7 mm  
 Polished stainless steel  
 Polished aisi304 stainless steel  
 1 tap hole  
 Bowl dimensions WxLxD (mm): 340 x 400 x 210

Accessories for installation: Strainer, Siphon with dishwasher outlet connection, Fixing clips, Gasket

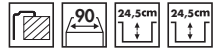
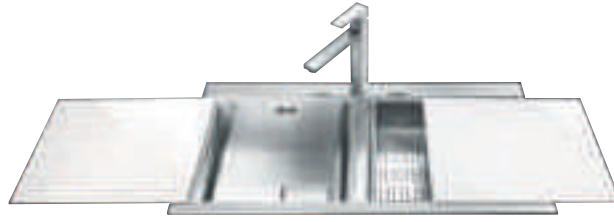
### ALSO AVAILABLE

LPD861S  
 Left drainer



## LQVB8622

STANDARD SINK, LINEA, STAINLESS STEEL



Minimum base unit: 90 cm

Double squared pop-up commands

Squared bowl

Strainer dimension right bowl: 3.5"

Squared bowl

Strainer dimension left bowl: 3.5"

Traditional overflow

Standard sink

Frame thickness: 1 mm

White glass

Glass thickness: 4 mm

White tempered glass

Double pop-up commands

Brushed stainless steel

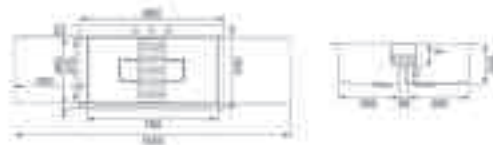
Brushed aisi304 stainless steel

1 tap hole

Right bowl dimensions WxLxD (mm): 360 x 375 x 245

Left bowl dimensions WxLxD (mm): 360 x 375 x 245

Accessories for installation: Strainer, Siphon with dishwasher outlet connection, Fixing clips, Gasket



## VQMX60N2

STANDARD SINK, LINEA, STAINLESS STEEL



Minimum base unit: 60 cm  
 Squared bowl  
 Strainer dimension: 3.5"  
 Flush fitted overflow  
 Standard sink  
 Black tempered glass  
 Brushed stainless steel  
 Brushed aisi304 stainless steel  
 2 tap holes  
 Auxiliary bowl dimensions WxLxD (mm): 510 x 430 x 245

Accessories for installation: Strainer, Siphon with dishwasher outlet connection, Fixing clips, Gasket

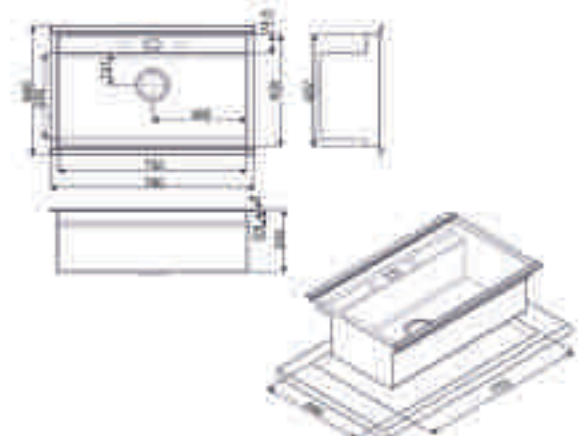
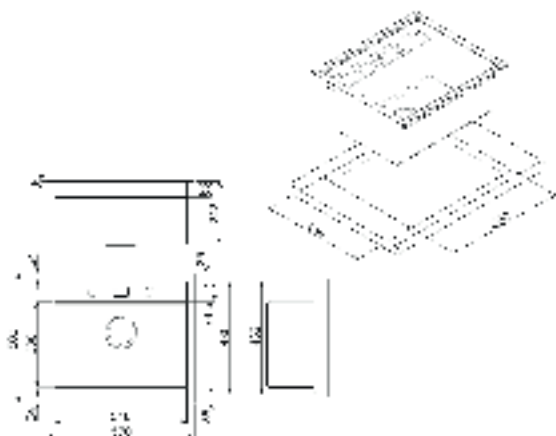
## VQMX79N2

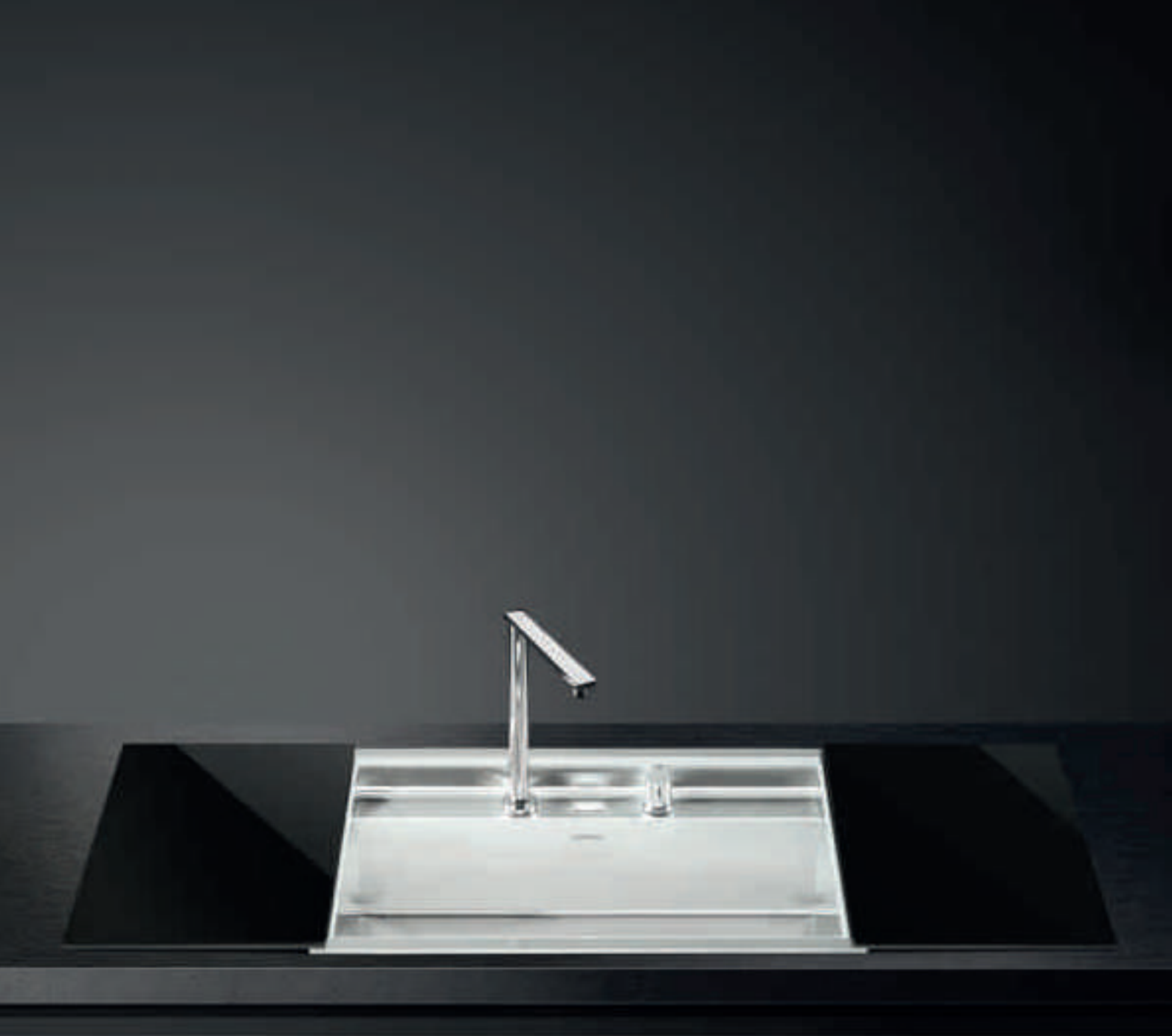
STANDARD SINK, LINEA, STAINLESS STEEL



Minimum base unit: 90 cm  
 Squared bowl  
 Strainer dimension: 3.5"  
 Flush fitted overflow  
 Standard sink  
 Black tempered glass  
 Brushed stainless steel  
 Brushed aisi304 stainless steel  
 2 tap holes  
 Auxiliary bowl dimensions WxLxD (mm): 730 x 430 x 245

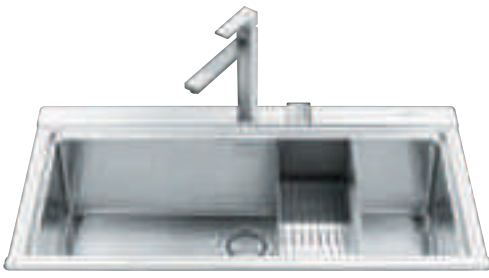
Accessories for installation: Strainer, Siphon with dishwasher outlet connection, Fixing clips, Gasket





## VR78

STANDARD SINK, LINEA, STAINLESS STEEL

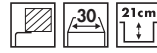


Minimum base unit: 90 cm  
Squared single pop-up command  
Minimum radius  
Radius corner: 10 mm  
Traditional overflow  
Standard sink  
Single pop-up command  
Brushed stainless steel  
Brushed aisi304 stainless steel  
1 tap hole  
Auxiliary bowl dimensions WxLxD (mm): 780 x 350 x 200

Accessories for installation: Strainer, Siphon with dishwasher outlet connection, Fixing clips, Gasket

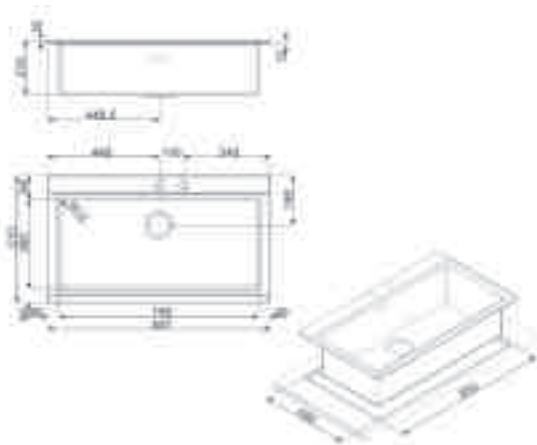
## VSTQ20

UNDERMOUNT SINK, QUADRA, STAINLESS STEEL



Minimum base unit 30 cm  
Squared bowl  
Strainer dimension: 3.5"  
Traditional overflow  
Undermount sink

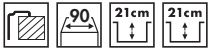
Accessories for installation: Strainer, Siphon with dishwasher outlet connection, Fixing clips





## LI92

STANDARD SINK, LINEA, STAINLESS STEEL



Minimum base unit: 90 cm  
 Traditional bowl  
 Radius corner right bowl: 80 mm  
 Strainer dimension right bowl: 3.5"  
 Traditional overflow  
 Traditional bowl  
 Radius corner left bowl: 80 mm  
 Strainer dimension left bowl: 3.5"  
 Standard sink  
 Frame depth (mm): 9  
 Frame thickness: 0.7 mm  
 Glass thickness: 4 mm  
 Brushed stainless steel  
 Brushed aisi304 stainless steel  
 1 tap hole  
 Right bowl dimensions WxLxD (mm): 400 x 340 x 210  
 Left bowl dimensions WxLxD (mm): 400 x 340 x 210

Accessories for installation: Strainer, Siphon with dishwasher outlet connection, Fixing clips, Gasket

## LI915D

STANDARD SINK, LINEA, STAINLESS STEEL



Minimum base unit: 60 cm  
 Half bowl  
 Radius corner right bowl: 50 mm  
 Strainer dimension right bowl: 3.5"  
 Traditional bowl  
 Radius corner left bowl: 80 mm  
 Strainer dimension left bowl: 3.5"  
 Traditional overflow  
 Standard sink  
 Right drainer  
 Drainer inclination: 2 °  
 Frame depth (mm): 9  
 Frame thickness: 0.7 mm  
 Glass thickness: 4 mm  
 Brushed stainless steel  
 Brushed aisi304 stainless steel  
 1 tap hole  
 Right bowl dimensions WxLxD (mm): 147 x 296 x 150  
 Left bowl dimensions WxLxD (mm): 400 x 340 x 210

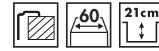
Accessories for installation: Strainer, Siphon with dishwasher outlet connection, Fixing clips, Gasket

### ALSO AVAILABLE:

LI915S  
 Left drainer

## LI91D

STANDARD SINK, LINEA, STAINLESS STEEL

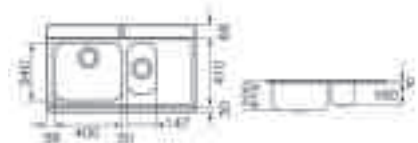
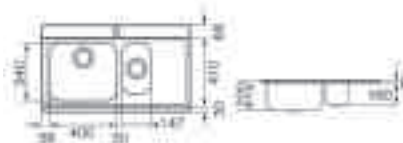
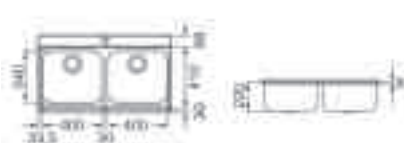


Minimum base unit: 60 cm  
 Traditional bowl  
 Radius corner left bowl: 80 mm  
 Strainer dimension left bowl: 3.5"  
 Traditional overflow  
 Standard sink  
 Right drainer  
 Drainer inclination: 2 °  
 Frame depth (mm): 9  
 Frame thickness: 0.7 mm  
 Glass thickness: 4 mm  
 Brushed stainless steel  
 Brushed aisi304 stainless steel  
 1 tap hole  
 Left bowl dimensions WxLxD (mm): 400 x 340 x 210

Accessories for installation: Strainer, Siphon with dishwasher outlet connection, Fixing clips, Gasket

### ALSO AVAILABLE:

LI91S  
 Left drainer



### VSTQ72-2

UNDERMOUNT SINK, QUADRA, STAINLESS STEEL



Minimum base unit: 80 cm  
 Squared bowl  
 Strainer dimension: 3.5"  
 Traditional overflow  
 Undermount sink  
 Bowl dimensions WxLxD (mm): 720 x 400 x 210

Accessories for installation: Strainer, Siphon with dishwasher outlet connection, Fixing clips

### VSTQ50-2

UNDERMOUNT SINK, QUADRA, STAINLESS STEEL

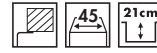


Minimum base unit: 60 cm  
 Squared bowl  
 Strainer dimension: 3.5"  
 Traditional overflow  
 Undermount sink  
 Bowl dimensions WxLxD (mm): 500 x 400 x 210

Accessories for installation: Strainer, Siphon with dishwasher outlet connection, Fixing clips

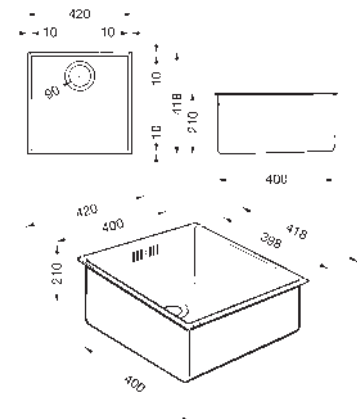
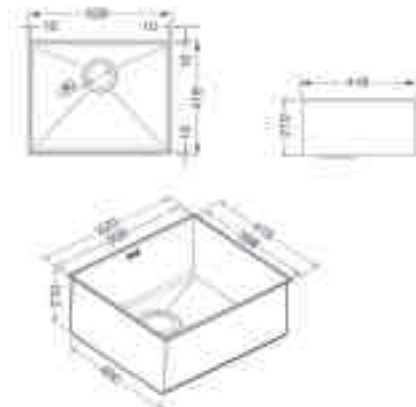
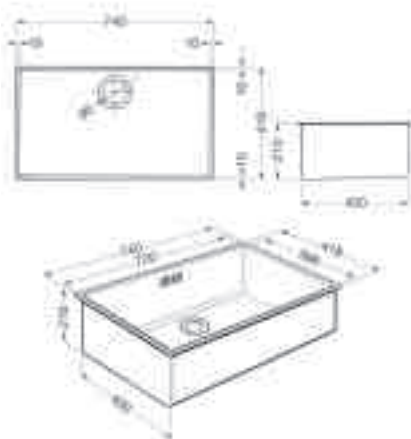
### VSTQ40-2

UNDERMOUNT SINK, QUADRA, STAINLESS STEEL



Minimum base unit: 45 cm  
 Squared bowl  
 Strainer dimension: 3.5"  
 Traditional overflow  
 Undermount sink  
 Bowl dimensions WxLxD (mm): 400 x 400 x 210

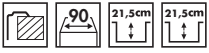
Accessories for installation: Strainer, Siphon with dishwasher outlet connection, Fixing clips





## LQR116-2

LOW PROFILE SINK, QUADRA, STAINLESS STEEL

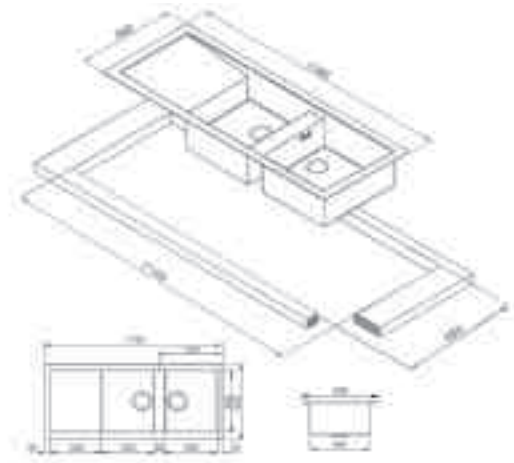


Minimum base unit: 90 cm  
Double squared pop-up commands  
Squared bowl  
Strainer dimension right bowl: 3.5"  
Traditional overflow  
Squared bowl  
Strainer dimension left bowl: 3.5"  
Low profile sink  
Reversible drainer  
Drainer inclination: 2 °  
Frame depth (mm): 15  
Frame thickness: 1 mm  
Double pop-up commands  
2 tap holes  
Bowl dimensions WxLxD (mm): 1170 x 510 x 220  
Left bowl dimensions WxLxD (mm): 350 x 400 x 215

Accessories for installation: Strainer, Siphon with dishwasher outlet connection, Fixing clips, Gasket

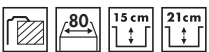
## LQR116F-2

FLUSH FITTED SINK, QUADRA, STAINLESS STEEL



## LQR100-2

LOW PROFILE SINK, QUADRA, STAINLESS STEEL

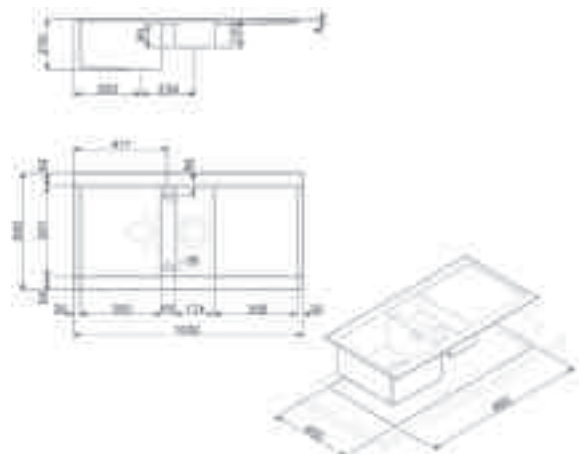


Minimum base unit: 80 cm  
Squared bowl  
Strainer dimension right bowl: 3.5"  
Squared bowl  
Strainer dimension left bowl: 3.5"  
Traditional overflow  
Low profile sink  
Reversible drainer  
Drainer inclination: 3 °  
Frame depth (mm): 6  
Frame thickness: 1 mm  
Double pop-up commands  
2 tap holes  
Right bowl dimensions WxLxD (mm): 392 x 174 x 150  
Left bowl dimensions WxLxD (mm): 350 x 392 x 210

Accessories for installation: Strainer, Siphon with dishwasher outlet connection, Fixing clips, Gasket

## LQR100F-2

FLUSH FITTED SINK, QUADRA, STAINLESS STEEL



## LQR861-2

LOW PROFILE SINK, QUADRA, STAINLESS STEEL



Minimum base unit: 45 cm  
Squared single pop-up command  
Squared bowl  
Strainer dimension left bowl: 3.5"  
Traditional overflow  
Low profile sink  
Reversible drainer  
Drainer inclination: 2 °  
Frame depth (mm): 15  
Frame thickness: 1 mm  
Single pop-up command  
2 tap holes  
Left bowl dimensions WxLxD (mm): 350 x 400 x 215

Accessories for installation: Strainer, Siphon with dishwasher outlet connection, Fixing clips, Gasket

## LQR861F-2

FLUSH FITTED SINK, QUADRA, STAINLESS STEEL

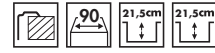


Minimum base unit: 45 cm  
Squared single pop-up command  
Squared bowl  
Strainer dimension left bowl: 3.5"  
Traditional overflow  
Flush fitted sink  
Reversible drainer  
Drainer inclination: 2 °  
Frame depth (mm): 20  
Frame thickness: 1 mm  
Single pop-up command  
1 tap hole  
Left bowl dimensions WxLxD (mm): 350 x 400 x 215

Accessories for installation: Strainer, Siphon with dishwasher outlet connection, Fixing clips, Gasket

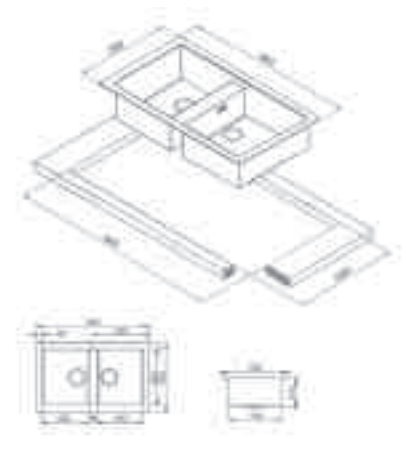
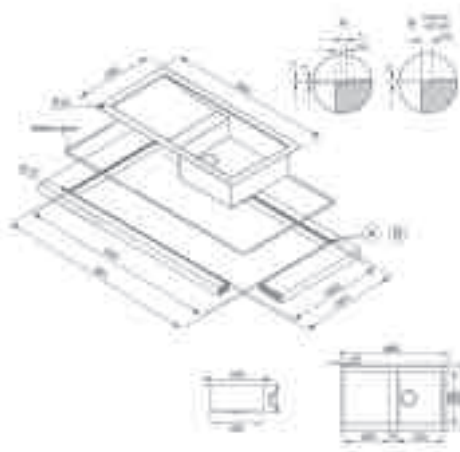
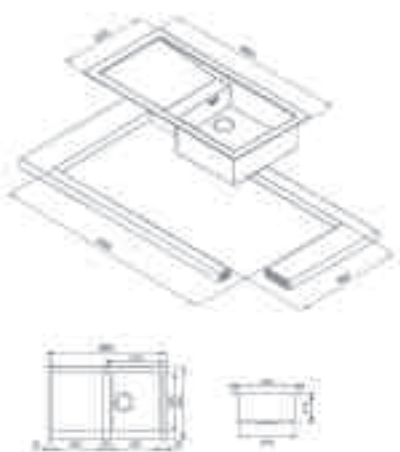
## LQR862-2

LOW PROFILE SINK, QUADRA, STAINLESS STEEL



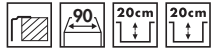
Minimum base unit: 90 cm  
Double squared pop-up commands  
Squared bowl  
Strainer dimension right bowl: 3.5"  
Traditional overflow  
Squared bowl  
Strainer dimension left bowl: 3.5"  
Low profile sink  
Frame depth (mm): 15  
Frame thickness: 1 mm  
Double pop-up commands  
1 tap hole  
Right bowl dimensions WxLxD (mm): 350 x 400 x 215  
Left bowl dimensions WxLxD (mm): 350 x 400 x 215

Accessories for installation: Strainer, Siphon with dishwasher outlet connection, Fixing clips, Gasket



## LFT116D

FLAT SINK, MIRA, STAINLESS STEEL



Minimum base unit: 90 cm

Double squared pop-up commands

Minimum radius

Radius corner right bowl: 15 mm

Strainer dimension right bowl: 3.5"

Flush fitted overflow

Minimum radius

Radius corner left bowl: 15 mm

Strainer dimension left bowl: 3.5"

Flat sink

Right drainer

Drainer inclination: 2 °

Frame depth (mm): 19

Frame thickness: 0.7 mm

Double pop-up commands

Brushed stainless steel

Brushed aisi304 stainless steel

2 tap holes

Right bowl dimensions WxLxD (mm): 340 x 400 x 200

Left bowl dimensions WxLxD (mm): 340 x 400 x 200

Accessories for installation: Strainer, Siphon with dishwasher outlet connection, Fixing clips, Gasket

### ALSO AVAILABLE:

LFT116S

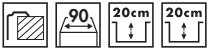
Left drainer





## LD116D-2

LOW PROFILE SINK, MIRA, STAINLESS STEEL



Minimum base unit: 90 cm  
 Minimum radius  
 Radius corner right bowl: 15 mm  
 Strainer dimension right bowl: 3.5"  
 Flush fitted overflow  
 Minimum radius  
 Radius corner left bowl: 15 mm  
 Strainer dimension left bowl: 3.5"  
 Low profile sink  
 Right drainer  
 Drainer inclination: 2 °  
 Frame depth (mm): 15  
 Frame thickness: 0.7 mm  
 Brushed stainless steel  
 Brushed aisi304 stainless steel  
 1 tap hole  
 Right bowl dimensions WxLxD (mm): 340 x 400 x 200  
 Left bowl dimensions WxLxD (mm): 340 x 400 x 200

Accessories for installation: Strainer, Siphon with dishwasher outlet connection, Fixing clips, Gasket

### ALSO AVAILABLE

LD116S-2  
 Left drainer

## LD102D-2

LOW PROFILE SINK, MIRA, STAINLESS STEEL

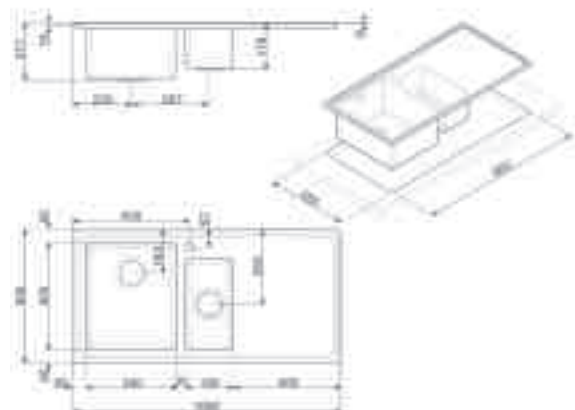
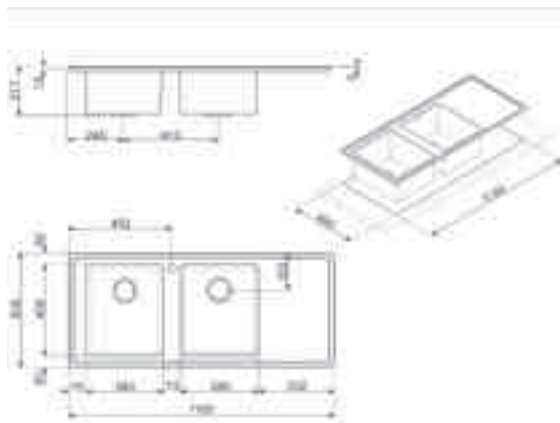


Minimum base unit: 80 cm  
 Half bowl  
 Radius corner right bowl: 50 mm  
 Strainer dimension right bowl: 3.5"  
 Minimum radius  
 Radius corner left bowl: 15 mm  
 Strainer dimension left bowl: 3.5"  
 Flush fitted overflow  
 Low profile sink  
 Right drainer  
 Drainer inclination: 2 °  
 Frame depth (mm): 15  
 Frame thickness: 0.7 mm  
 Brushed stainless steel  
 Brushed aisi304 stainless steel  
 1 tap hole  
 Right bowl dimensions WxLxD (mm): 180 x 340 x 156  
 Left bowl dimensions WxLxD (mm): 340 x 400 x 200

Accessories for installation: Strainer, Siphon with dishwasher outlet connection, Fixing clips, Gasket

### ALSO AVAILABLE

LD102S-2  
 Left drainer





## LFT100D

FLAT SINK, MIRA, STAINLESS STEEL



Minimum base unit: 80 cm  
 Squared single pop-up command  
 Minimum radius  
 Radius corner left bowl: 15 mm  
 Strainer dimension left bowl: 3.5"  
 Flush fitted overflow  
 Flat sink  
 Right drainer  
 Drainer inclination: 2 °  
 Frame depth (mm): 18  
 Frame thickness: 0.7 mm  
 Single pop-up command  
 Brushed stainless steel  
 Brushed aisi304 stainless steel  
 2 tap holes  
 Bowl dimensions WxLxD (mm): 500 x 400 x 200

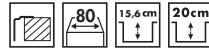
Accessories for installation: Strainer, Siphon with dishwasher outlet connection, Fixing clips, Gasket

### ALSO AVAILABLE:

LFT100S  
 Left drainer

## LFT102D

FLAT SINK, MIRA, STAINLESS STEEL

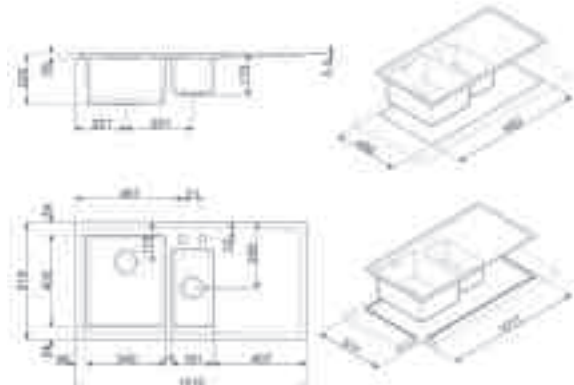
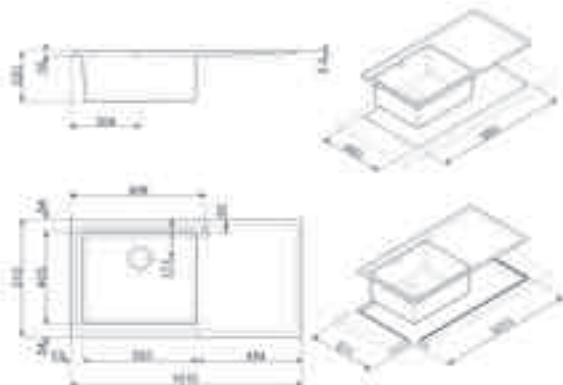


Minimum base unit: 80 cm  
 Double squared pop-up commands  
 Minimum radius  
 Radius corner bowls: 15 mm  
 Strainer dimension right bowl: 3.5"  
 Minimum radius  
 Radius corner left bowl: 15 mm  
 Strainer dimension left bowl: 3.5"  
 Flush fitted overflow  
 Flat sink  
 Right drainer  
 Drainer inclination: 2 °  
 Frame depth (mm): 18  
 Frame thickness: 0.7 mm  
 Double pop-up commands  
 Brushed stainless steel  
 Brushed aisi304 stainless steel  
 2 tap holes  
 Right bowl dimensions WxLxD (mm): 180 x 340 x 156  
 Left bowl dimensions WxLxD (mm): 340 x 400 x 200

Accessories for installation: Strainer, Siphon with dishwasher outlet connection, Fixing clips, Gasket

### ALSO AVAILABLE:

LFT102S  
 Left drainer



## LFT77

FLAT SINK, MIRA, STAINLESS STEEL



Minimum base unit: 80 cm  
Minimum radius  
Radius corner: 1.5 mm  
Strainer dimension: 3.5"  
Flush fitted overflow  
Flat sink  
Brushed stainless steel  
Brushed aisi304 stainless steel  
Bowl dimensions WxLxD (mm): 710 x 400 x 200

Accessories for installation: Strainer, Siphon with dishwasher outlet connection, Fixing clips, Gasket

### ALSO AVAILABLE:

LFT77RS

2 Tapholes, Squared popup command

## LFT50

FLAT SINK, MIRA, STAINLESS STEEL



Minimum base unit: 60 cm  
Minimum radius  
Radius corner: 1.5 mm  
Strainer dimension: 3.5"  
Flush fitted overflow  
Flat sink  
Brushed stainless steel  
Brushed aisi304 stainless steel  
Bowl dimensions WxLxD (mm): 500 x 400 x 200

Accessories for installation: Strainer, Siphon with dishwasher outlet connection, Fixing clips, Gasket

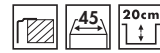
### ALSO AVAILABLE:

LFT50RS

2 Tapholes, Squared popup command

## LFT34

FLAT SINK, MIRA, STAINLESS STEEL



Minimum base unit: 45 cm  
Minimum radius  
Radius corner: 1.5 mm  
Strainer dimension: 3.5"  
Flush fitted overflow  
Flat sink  
Brushed stainless steel  
Brushed aisi304 stainless steel  
Bowl dimensions WxLxD (mm): 340 x 400 x 200

Accessories for installation: Strainer, Siphon with dishwasher outlet connection, Fixing clips, Gasket

### ALSO AVAILABLE:

LFT34RS

2 Tapholes, Squared popup command



## LFT861D

FLAT SINK, MIRA, STAINLESS STEEL

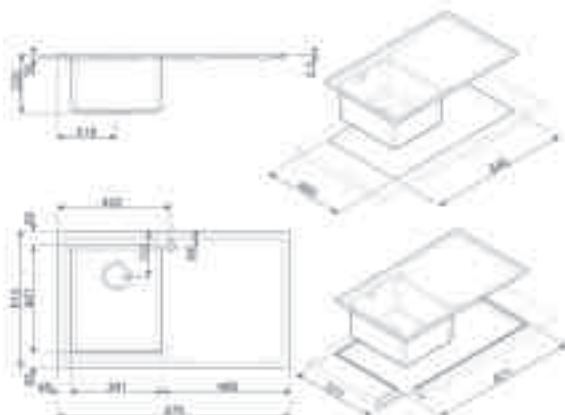


Minimum base unit: 45 cm  
 Squared single pop-up command  
 Minimum radius  
 Radius corner left bowl: 15 mm  
 Strainer dimension left bowl: 3.5"  
 Flush fitted overflow  
 Flat sink  
 Right drainer  
 Drainer inclination: 2 °  
 Frame depth (mm): 18  
 Frame thickness: 0.7 mm  
 Single pop-up command  
 Brushed stainless steel  
 Brushed aisi304 stainless steel  
 2 tap holes  
 Bowl dimensions WxLxD (mm): 340 x 400 x 200

Accessories for installation: Strainer, Siphon with dishwasher outlet connection, Fixing clips, Gasket

### ALSO AVAILABLE:

LFT861S  
 Left drainer



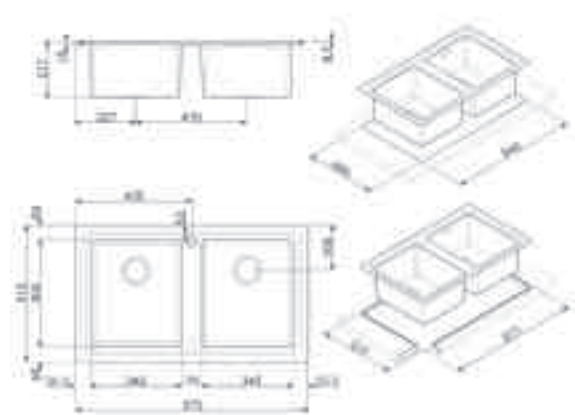
## LFT862

FLAT SINK, MIRA, STAINLESS STEEL



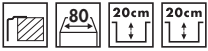
Minimum base unit: 90 cm  
 Double squared pop-up commands  
 Minimum radius  
 Radius corner bowls: 15 mm  
 Strainer dimension right bowl: 3.5"  
 Flush fitted overflow  
 Minimum radius  
 Radius corner left bowl: 15 mm  
 Strainer dimension left bowl: 3.5"  
 Flat sink  
 Frame depth (mm): 15  
 Frame thickness: 0.7 mm  
 Double pop-up commands  
 Brushed stainless steel  
 Brushed aisi304 stainless steel  
 2 tap holes  
 Right bowl dimensions WxLxD (mm): 340 x 400 x 200  
 Left bowl dimensions WxLxD (mm): 340 x 400 x 200

Accessories for installation: Strainer, Siphon with dishwasher outlet connection, Fixing clips, Gasket



## LFT3434RS

FLAT SINK, MIRA, STAINLESS STEEL



Minimum base unit: 80 cm  
 Squared single pop-up command  
 Minimum radius  
 Radius corner bowls: 15 mm  
 Strainer dimension right bowl: 3.5"  
 Flush fitted overflow  
 Minimum radius  
 Radius corner left bowl: 15 mm  
 Strainer dimension left bowl: 3.5"  
 Flush fitted overflow  
 Flat sink  
 Frame thickness: 1 mm  
 Single pop-up command  
 Brushed stainless steel  
 Brushed aisi304 stainless steel  
 2 tap holes  
 Right bowl dimensions WxLxD (mm): 340 x 400 x 200  
 Left bowl dimensions WxLxD (mm): 340 x 400 x 200

Accessories for installation: Strainer, Siphon with dishwasher outlet connection, Fixing clips, Gasket

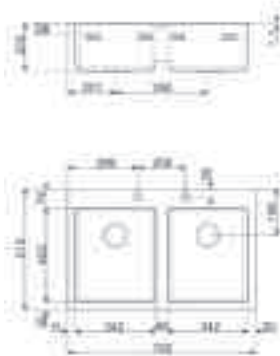
## LFT40SFR

FLAT SINK, MIRA, STAINLESS STEEL



Minimum base unit: 45 cm  
 Minimum radius  
 Radius corner: 15 mm  
 Strainer dimension: 3.5"  
 Flush fitted overflow  
 Flat sink  
 Brushed stainless steel  
 Brushed aisi304 stainless steel  
 Auxiliary bowl dimensions WxLxD (mm) 400 x 400 x 200

Accessories for installation: Strainer, Siphon with dishwasher outlet connection, Fixing clips, Gasket



## LD861D-2

LOW PROFILE SINK, MIRA, STAINLESS STEEL

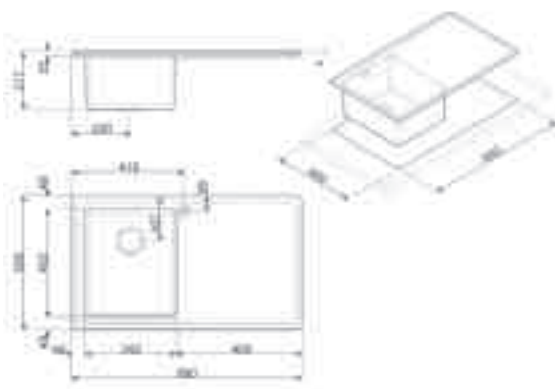


Minimum base unit: 60 cm  
 Minimum radius  
 Radius corner left bowl: 15 mm  
 Strainer dimension: 3.5  
 Flush fitted overflow  
 Low profile sink  
 Right drainer  
 Drainer inclination: 2 °  
 Frame depth (mm): 14  
 Frame thickness: 0.7 mm  
 Brushed stainless steel  
 Brushed aisi304 stainless steel  
 1 tap hole  
 Bowl dimensions WxLxD (mm): 340 x 400 x 200

Accessories for installation: Strainer, Siphon with dishwasher outlet connection, Fixing clips, Gasket

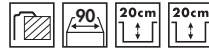
### ALSO AVAILABLE:

LD861S-2  
 Left drainer



## LD862-2

LOW PROFILE SINK, MIRA, STAINLESS STEEL



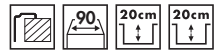
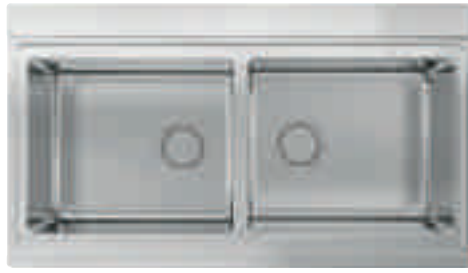
Minimum base unit: 90 cm  
 Minimum radius  
 Radius corner bowls: 15 mm  
 Strainer dimension right bowl: 3.5"  
 Flush fitted overflow  
 Minimum radius  
 Radius corner left bowl: 15 mm  
 Strainer dimension left bowl: 3.5"  
 Low profile sink  
 Frame depth (mm): 14  
 Frame thickness: 0.7 mm  
 Brushed stainless steel  
 Brushed aisi304 stainless steel  
 1 tap hole  
 Right bowl dimensions WxLxD (mm): 340 x 400 x 200  
 Left bowl dimensions WxLxD (mm): 340 x 400 x 200

Accessories for installation: Strainer, Siphon with dishwasher outlet connection, Fixing clips, Gasket



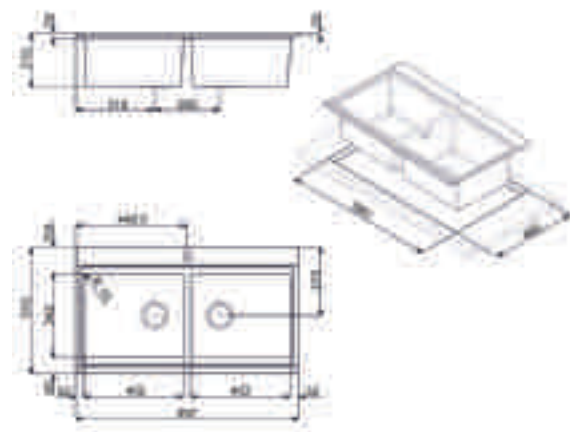
## LRX902

STANDARD SINK, MIRA, STAINLESS STEEL



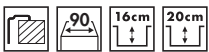
Minimum base unit: 90 cm  
Minimum radius  
Radius corner right bowl: 15 mm  
Flush fitted overflow  
Minimum radius  
Radius corner left bowl: 15 mm  
Standard sink  
Frame depth (mm): 9  
Frame thickness: 0.7 mm  
Brushed stainless steel  
Brushed aisi304 stainless steel  
1 tap hole

Accessories for installation: Strainer, Siphon with dishwasher outlet connection, Fixing clips, Gasket



## LRX9015D

STANDARD SINK, MIRA, STAINLESS STEEL

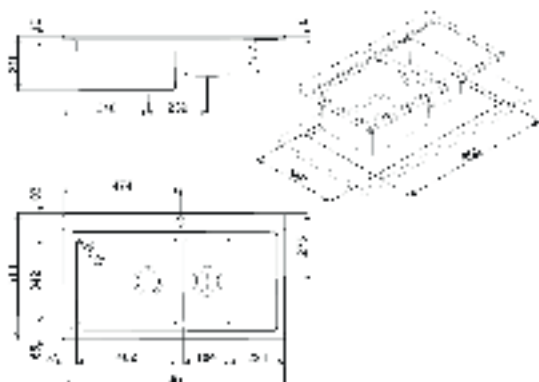


Minimum base unit: 90 cm  
 Minimum radius  
 Radius corner right bowl: 15 mm  
 Minimum radius  
 Radius corner left bowl: 15 mm  
 Flush fitted overflow  
 Standard sink  
 Right drainer  
 Drainer inclination: 2 °  
 Frame depth (mm): 9  
 Frame thickness: 0.7 mm  
 Brushed stainless steel  
 Brushed aisi304 stainless steel  
 1 tap hole  
 Right bowl dimensions WxLxD (mm): 180 x 340 x 156

Accessories for installation: Strainer, Siphon with dishwasher outlet connection, Fixing clips, Gasket

### ALSO AVAILABLE:

LRX9015S  
 Left drainer



## LRX901D

STANDARD SINK, MIRA, STAINLESS STEEL

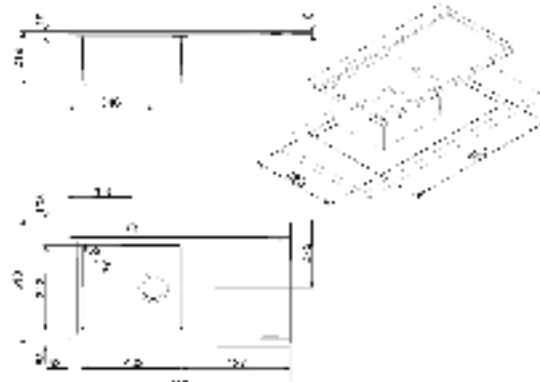


Minimum base unit: 60 cm  
 Minimum radius  
 Radius corner left bowl: 15 mm  
 Flush fitted overflow  
 Standard sink  
 Right drainer  
 Drainer inclination: 2 °  
 Frame depth (mm): 9  
 Frame thickness: 0.7 mm  
 Brushed stainless steel  
 Brushed aisi304 stainless steel  
 1 tap hole

Accessories for installation: Strainer, Siphon with dishwasher outlet connection, Fixing clips, Gasket

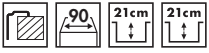
### ALSO AVAILABLE:

LRX901S  
 Left drainer



## LSX862CB

STANDARD SINK, MIRA



Minimum base unit: 90 cm  
Minimum radius  
Radius corner right bowl: 15 mm  
Strainer dimension right bowl: 3.5"  
Minimum radius  
Radius corner left bowl: 15 mm  
Strainer dimension left bowl: 3.5"  
Traditional overflow  
Standard sink  
Frame depth (mm): 15  
2 tap holes  
Right bowl dimensions WxLxD (mm): 365 x 420 x 208  
Left bowl dimensions WxLxD (mm): 365 x 420 x 208

Accessories for installation: Strainer, Siphon with dishwasher outlet connection, Fixing clips

### ALSO AVAILABLE:

LSX862CN

Black

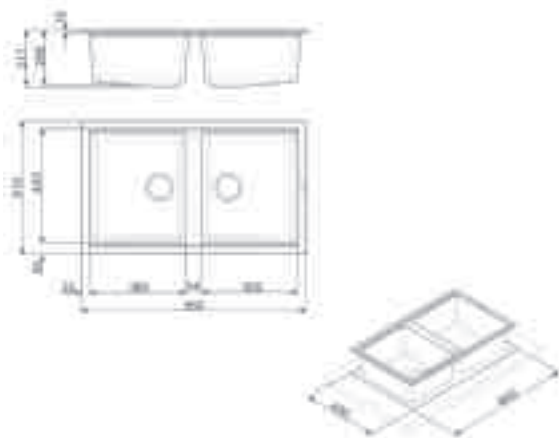
## LSX861CN

STANDARD SINK, MIRA



Minimum base unit: 45 cm  
Minimum radius  
Radius corner left bowl: 15 mm  
Strainer dimension left bowl: 3.5"  
Traditional overflow  
Standard sink  
Reversible drainer  
Drainer inclination: 2 °  
Frame depth (mm): 15  
2 tap holes  
Left bowl dimensions WxLxD (mm): 330 x 420 x 210

Accessories for installation: Strainer, Siphon with dishwasher outlet connection, Fixing clips





## LSX150CB

STANDARD SINK, MIRA



Minimum base unit: 45 cm  
Minimum radius  
Radius corner left bowl: 15 mm  
Strainer dimension left bowl: 3.5"  
Traditional overflow  
Standard sink  
Reversible drainer  
Drainer inclination: 2 °  
Frame depth (mm): 15  
2 tap holes  
Bowl dimensions WxLxD (mm): 478 x 420 x 208

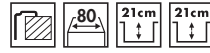
Accessories for installation: Strainer, Siphon with dishwasher outlet connection, Fixing clips

### ALSO AVAILABLE:

LSX150CN  
Black

## LSX116CB

STANDARD SINK, MIRA

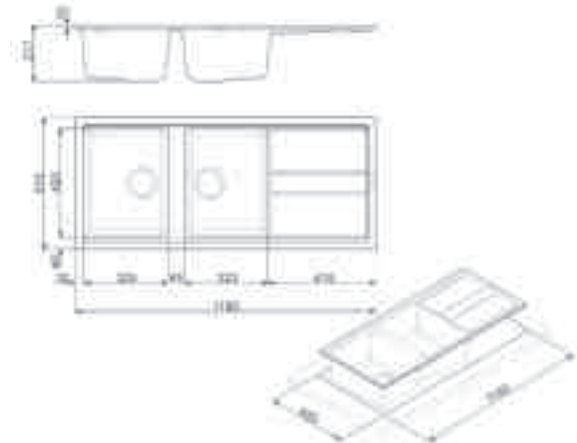


Minimum base unit: 80 cm  
Minimum radius  
Radius corner right bowl: 15 mm  
Strainer dimension right bowl: 3.5"  
Traditional overflow  
Minimum radius  
Radius corner left bowl: 15 mm  
Strainer dimension left bowl: 3.5"  
Traditional overflow  
Standard sink  
Reversible drainer  
Drainer inclination: 2 °  
Frame depth (mm): 15  
2 tap holes  
Right bowl dimensions WxLxD (mm): 323 x 420 x 208  
Left bowl dimensions WxLxD (mm): 325 x 420 x 208

Accessories for installation: Strainer, Siphon with dishwasher outlet connection, Fixing clips

### ALSO AVAILABLE:

LSX116CN  
Black



## VQR71

LOW PROFILE SINK, MIRA, STAINLESS STEEL



Minimum base unit: 80 cm  
Minimum radius  
Radius corner: 15 mm  
Strainer dimension: 3.5"  
Flush fitted overflow  
Low profile sink  
Brushed stainless steel  
Brushed aisi304 stainless steel  
Auxiliary bowl dimensions WxLxD (mm):  
710 x 400 x 200

Accessories for installation: Strainer, Siphon with dishwasher outlet connection, Fixing clips, Gasket

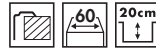
### ALSO AVAILABLE:

VQR71RS

2 Tapholes, Squared popup command

## VQR50

LOW PROFILE SINK, MIRA, STAINLESS STEEL



Minimum base unit: 60 cm  
Minimum radius  
Radius corner: 15 mm  
Strainer dimension: 3.5"  
Flush fitted overflow  
Low profile sink  
Brushed stainless steel  
Brushed aisi304 stainless steel  
Auxiliary bowl dimensions WxLxD (mm): 500 x 400 x 200

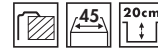
Accessories for installation: Strainer, Siphon with dishwasher outlet connection, Fixing clips, Gasket

### ALSO AVAILABLE:

VQR50RS

## VQR40

LOW PROFILE SINK, MIRA, STAINLESS STEEL

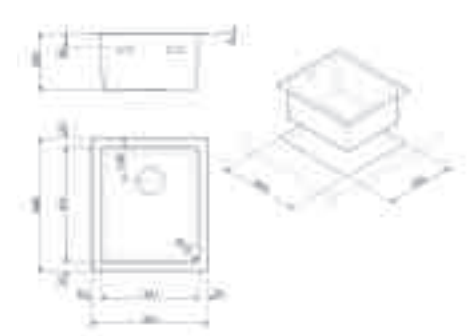


Minimum base unit: 45 cm  
Minimum radius  
Radius corner: 15 mm  
Strainer dimension: 3.5"  
Flush fitted overflow  
Low profile sink  
Brushed stainless steel  
Brushed aisi304 stainless steel  
Auxiliary bowl dimensions WxLxD (mm): 340 x 400 x 200

Accessories for installation: Strainer, Siphon with dishwasher outlet connection, Fixing clips, Gasket

### ALSO AVAILABLE:

VQR40RS



### VSTR71-2

UNDERMOUNT SINK, MIRA, STAINLESS STEEL

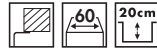


Minimum base unit: 80 cm  
 Minimum radius  
 Radius corner: 15 mm  
 Strainer dimension: 3.5", cover inox  
 Flush fitted overflow  
 Undermount sink  
 Brushed stainless steel  
 Brushed aisi304 stainless steel  
 Bowl dimensions WxLxD (mm): 710 x 400 x 200

Accessories for installation: Strainer, Siphon with dishwasher outlet connection, Fixing clips

### VSTR50-2

UNDERMOUNT SINK, MIRA, STAINLESS STEEL

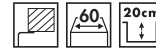


Minimum base unit: 60 cm  
 Minimum radius  
 Radius corner: 15 mm  
 Strainer dimension: 3.5", cover inox  
 Flush fitted overflow  
 Undermount sink  
 Brushed stainless steel  
 Brushed aisi304 stainless steel  
 Bowl dimensions WxLxD (mm): 500 x 400 x 200

Accessories for installation: Strainer, Fixing clips

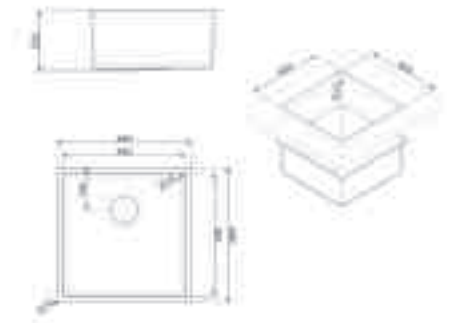
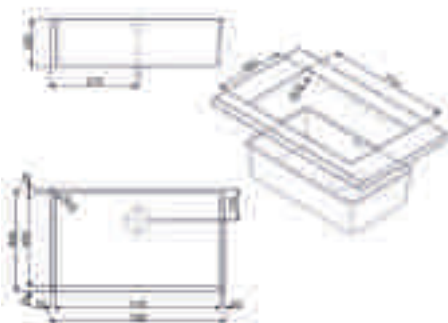
### VSTR40-2

UNDERMOUNT SINK, MIRA, STAINLESS STEEL



Minimum base unit: 60 cm  
 Minimum radius  
 Radius corner: 15 mm  
 Strainer dimension: 3.5"  
 Flush fitted overflow  
 Undermount sink  
 Brushed stainless steel  
 Brushed aisi304 stainless steel  
 Bowl dimensions WxLxD (mm) 400 x 400 x 200

Accessories for installation: Strainer, Fixing clips



### VSTR71-2

UNDERMOUNT SINK, MIRA, STAINLESS STEEL



Minimum base unit: 80 cm  
 Minimum radius  
 Radius corner: 15 mm  
 Strainer dimension: 3.5", cover inox  
 Flush fitted overflow  
 Undermount sink  
 Brushed stainless steel  
 Brushed aisi304 stainless steel  
 Bowl dimensions WxLxD (mm): 710 x 400 x 200

Accessories for installation: Strainer, Siphon with dishwasher outlet connection, Fixing clips

### VSTR50-2

UNDERMOUNT SINK, MIRA, STAINLESS STEEL

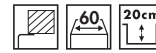


Minimum base unit: 60 cm  
 Minimum radius  
 Radius corner: 15 mm  
 Strainer dimension: 3.5", cover inox  
 Flush fitted overflow  
 Undermount sink  
 Brushed stainless steel  
 Brushed aisi304 stainless steel  
 Bowl dimensions WxLxD (mm): 500 x 400 x 200

Accessories for installation: Strainer, Fixing clips

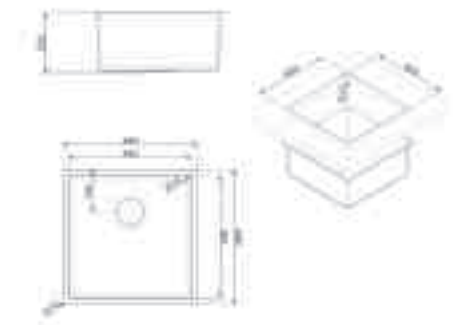
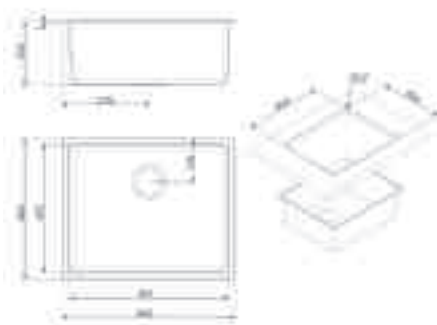
### VSTR40-2

UNDERMOUNT SINK, MIRA, STAINLESS STEEL



Minimum base unit: 60 cm  
 Minimum radius  
 Radius corner: 15 mm  
 Strainer dimension: 3.5"  
 Flush fitted overflow  
 Undermount sink  
 Brushed stainless steel  
 Brushed aisi304 stainless steel  
 Bowl dimensions WxLxD (mm) 400 x 400 x 200

Accessories for installation: Strainer, Fixing clips



## VSTR34-2

UNDERMOUNT SINK, MIRA, STAINLESS STEEL



Minimum base unit: 45 cm  
 Minimum radius  
 Radius corner: 15 mm  
 Strainer dimension: 3.5", cover inox  
 Flush fitted overflow  
 Undermount sink  
 Brushed stainless steel  
 Brushed aisi304 stainless steel  
 Bowl dimensions (mm): 340 x 400 x 200

Accessories for installation: Strainer, Fixing clips

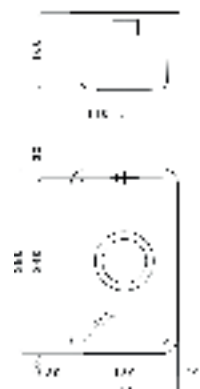
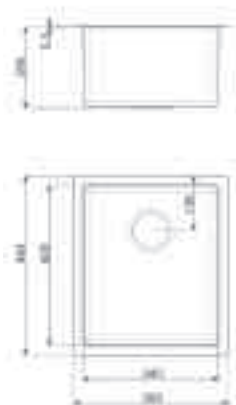
## VSTR18-2

UNDERMOUNT SINK, MIRA, STAINLESS STEEL



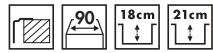
Minimum base unit: 45 cm  
 Half bowl  
 Radius corner: 15 mm  
 Strainer dimension: 3.5", cover inox  
 Flush fitted overflow  
 Undermount sink  
 Brushed stainless steel  
 Brushed aisi304 stainless steel  
 Bowl dimensions (mm): 180 x 340 x 160

Accessories for installation: Strainer, Fixing clips



## LFBG116

FLAT SINK, LINEA, STAINLESS STEEL



Minimum base unit: 90 cm

Traditional bowl

Radius corner right bowl: 80 mm

Strainer dimension right bowl: 3.5"

Traditional bowl

Radius corner left bowl: 80 mm

Strainer dimension left bowl: 3.5"

Traditional overflow

Flat sink

Reversible drainer

Drainer inclination: 2 °

Frame depth (mm): 19

Frame thickness: 0.7 mm

Brushed stainless steel

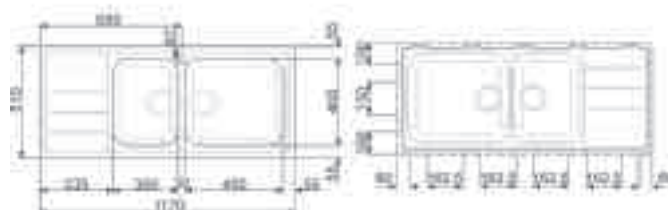
Brushed aisi304 stainless steel

2 tap holes

Right bowl dimensions WxLxD (mm): 300 x 400 x 180

Left bowl dimensions WxLxD (mm): 450 x 400 x 180

Accessories for installation: Strainer, Siphon with dishwasher outlet connection, Fixing clips, Gasket



## LFBG861

FLAT SINK, LINEA, STAINLESS STEEL

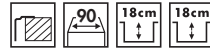


Minimum base unit: 60 cm  
 Traditional bowl  
 Radius corner left bowl: 80 mm  
 Strainer dimension left bowl: 3.5"  
 Traditional overflow  
 Flat sink  
 Reversible drainer  
 Drainer inclination: 2 °  
 Frame depth (mm): 18  
 Frame thickness: 0.7 mm  
 Brushed stainless steel  
 Brushed aisi304 stainless steel  
 2 tap holes  
 Bowl dimensions WxLxD (mm): 450 x 400 x 180

Accessories for installation: Strainer, Siphon with dishwasher outlet connection, Fixing clips, Gasket

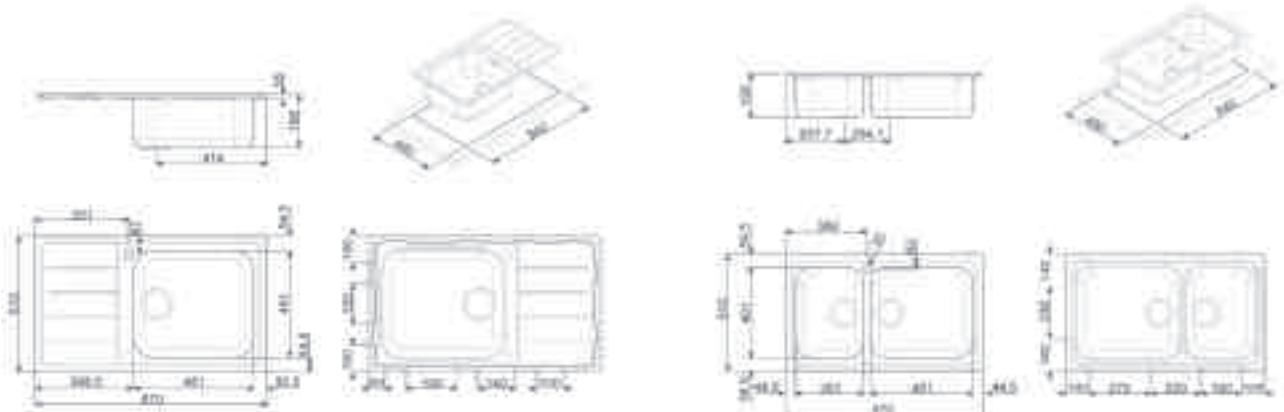
## LFBG862

FLAT SINK, LINEA, STAINLESS STEEL



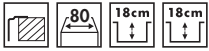
Minimum base unit: 90 cm  
 Traditional bowl  
 Radius corner right bowl: 80 mm  
 Strainer dimension right bowl: 3.5"  
 Traditional bowl  
 Radius corner left bowl: 80 mm  
 Strainer dimension left bowl: 3.5"  
 Traditional overflow  
 Flat sink  
 Reversible drainer  
 Frame depth (mm): 15  
 Frame thickness: 0.7 mm  
 Brushed stainless steel  
 Brushed aisi304 stainless steel  
 1 tap hole  
 Right bowl dimensions WxLxD (mm): 300 x 400 x 180  
 Left bowl dimensions WxLxD (mm): 450 x 400 x 180

Accessories for installation: Strainer, Siphon with dishwasher outlet connection, Fixing clips, Gasket



## LFB116

FLAT SINK, LINEA, STAINLESS STEEL

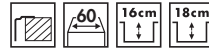


Minimun base unit: 80 cm  
 Traditional bowl  
 Radius corner right bowl: 80 mm  
 Strainer dimension right bowl: 3.5"  
 Traditional overflow  
 Traditional bowl  
 Radius corner left bowl: 80 mm  
 Strainer dimension left bowl: 3.5"  
 Flat sink  
 Reversible drainer  
 Drainer inclination: 2 °  
 Frame depth (mm): 19  
 Frame thickness: 0.7 mm  
 Brushed stainless steel  
 Brushed aisi304 stainless steel  
 2 tap holes  
 Right bowl dimensions WxLxD (mm): 340 x 400 x 180  
 Left bowl dimensions WxLxD (mm): 340 x 400 x 180

Accessories for installation: Strainer, Siphon with dishwasher outlet connection, Fixing clips, Gasket

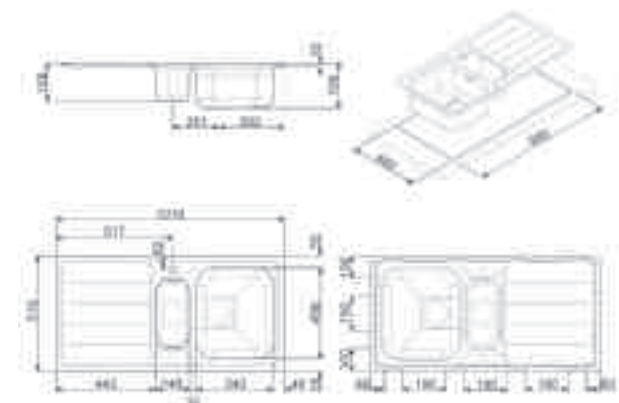
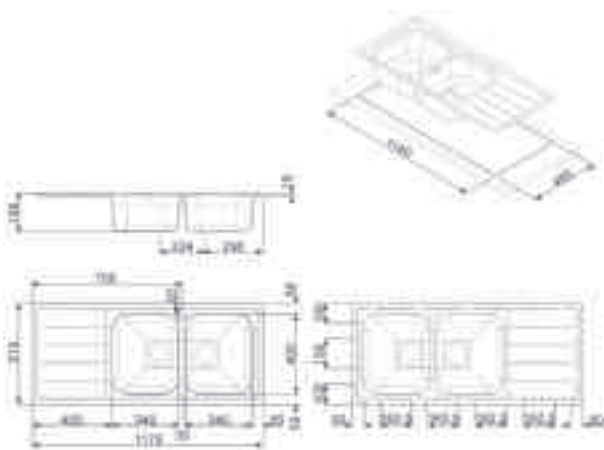
## LFB102

FLAT SINK, LINEA, STAINLESS STEEL



Minimun base unit: 60 cm  
 Half bowl  
 Radius corner right bowl: 50 mm  
 Strainer dimension right bowl: 3.5"  
 Traditional bowl  
 Radius corner left bowl: 80 mm  
 Strainer dimension left bowl: 3.5"  
 Traditional overflow  
 Flat sink  
 Reversible drainer  
 Drainer inclination: 2 °  
 Frame depth (mm): 18  
 Frame thickness: 0.7 mm  
 Brushed stainless steel  
 Brushed aisi304 stainless steel  
 2 tap holes  
 Right bowl dimensions WxLxD (mm): 300 x 148 x 160  
 Left bowl dimensions WxLxD (mm): 340 x 400 x 180

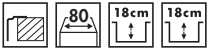
Accessories for installation: Strainer, Siphon with dishwasher outlet connection, Fixing clips, Gasket





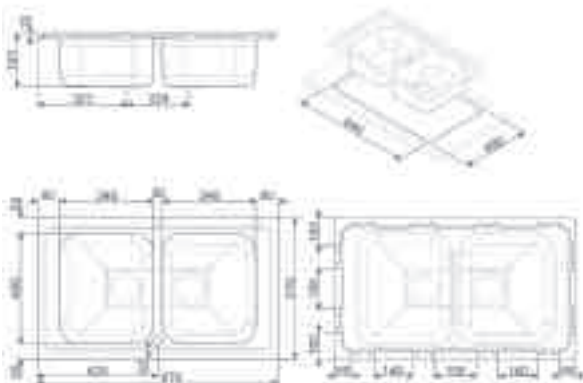
## LFB862

FLAT SINK, LINEA, STAINLESS STEEL



Minimum base unit: 80 cm  
 Traditional bowl  
 Radius corner right bowl: 80 mm  
 Strainer dimension right bowl: 3.5"  
 Traditional overflow  
 Traditional bowl  
 Radius corner left bowl: 80 mm  
 Strainer dimension left bowl: 3.5"  
 Flat sink  
 Frame depth (mm): 12  
 Frame thickness: 0.7 mm  
 Brushed stainless steel  
 Brushed aisi304 stainless steel  
 2 tap holes  
 Right bowl dimensions WxLxD (mm): 340 x 400 x 180  
 Left bowl dimensions WxLxD (mm): 340 x 400 x 180

Accessories for installation: Strainer, Siphon with dishwasher outlet connection, Fixing clips, Gasket



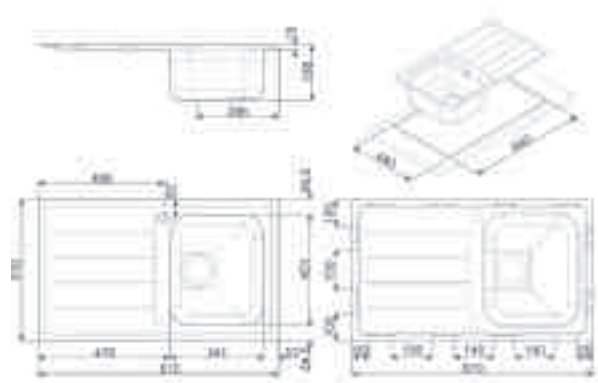
## LFB861

FLAT SINK, LINEA, STAINLESS STEEL



Minimum base unit: 45 cm  
 Traditional bowl  
 Radius corner left bowl: 80 mm  
 Strainer dimension left bowl: 3.5"  
 Traditional overflow  
 Flat sink  
 Reversible drainer  
 Drainer inclination: 2 °  
 Frame depth (mm): 18  
 Frame thickness: 0.7 mm  
 Brushed stainless steel  
 Brushed aisi304 stainless steel  
 2 tap holes  
 Bowl dimensions WxLxD (mm): 340 x 400 x 180

Accessories for installation: Strainer, Siphon with dishwasher outlet connection, Fixing clips, Gasket



## LEH150D

LOW PROFILE SINK, RIGAE, STAINLESS STEEL



Minimum base unit: 80 cm  
 Traditional bowl  
 Radius corner left bowl: 80 mm  
 Strainer dimension left bowl: 3.5"  
 Traditional overflow  
 Low profile sink  
 Right drainer  
 Drainer inclination: 2 °  
 Frame depth (mm): 15  
 Frame thickness: 0.7 mm  
 Brushed stainless steel  
 Brushed aisi304 stainless steel  
 1 tap hole  
 Left bowl dimensions WxLxD (mm): 500 x 400 x 200

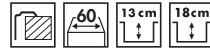
Accessories for installation: Strainer, Siphon with dishwasher outlet connection, Fixing clips, Gasket

### ALSO AVAILABLE

LEH150S  
 Left drainer

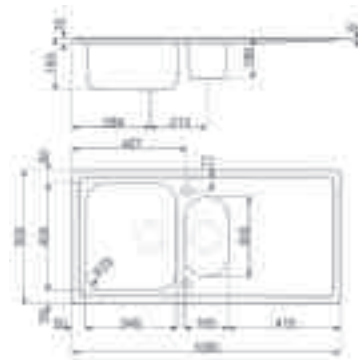
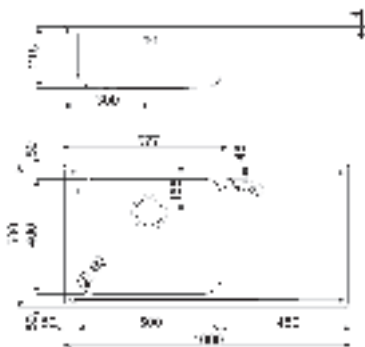
## LER150

LOW PROFILE SINK, RIGAE, STAINLESS STEEL



Minimum base unit: 60 cm  
 Half bowl  
 Radius corner right bowl: 80 mm  
 Strainer dimension right bowl: 3.5"  
 Traditional bowl  
 Radius corner left bowl: 80 mm  
 Strainer dimension left bowl: 3.5"  
 Traditional overflow  
 Low profile sink  
 Reversible drainer  
 Drainer inclination: 2 °  
 Frame depth (mm): 13  
 Frame thickness: 0.6 mm  
 Brushed stainless steel  
 Brushed aisi304 stainless steel  
 2 tap holes  
 Right bowl dimensions WxLxD (mm): 165 x 300 x 130  
 Left bowl dimensions WxLxD (mm): 340 x 400 x 180

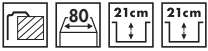
Accessories for installation: Strainer, Siphon with dishwasher outlet connection, Fixing clips, Gasket





## LEH116D

LOW PROFILE SINK, RIGAE, STAINLESS STEEL



Minimum base unit: 80 cm  
 Traditional bowl  
 Radius corner right bowl: 80 mm  
 Strainer dimension right bowl: 3.5"  
 Traditional overflow  
 Traditional bowl  
 Radius corner left bowl: 80 mm  
 Strainer dimension left bowl: 3.5"  
 Low profile sink  
 Right drainer  
 Drainer inclination: 2 °  
 Frame depth (mm): 15  
 Frame thickness: 0.7 mm  
 Brushed stainless steel  
 Brushed aisi304 stainless steel  
 1 tap hole  
 Right bowl dimensions WxLxD (mm): 340 x 400 x 210  
 Left bowl dimensions WxLxD (mm): 340 x 400 x 210

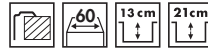
Accessories for installation: Strainer, Siphon with dishwasher outlet connection, Fixing clips, Gasket

### ALSO AVAILABLE:

LEH116S  
 Left drainer

## LEH102D

LOW PROFILE SINK, RIGAE, STAINLESS STEEL

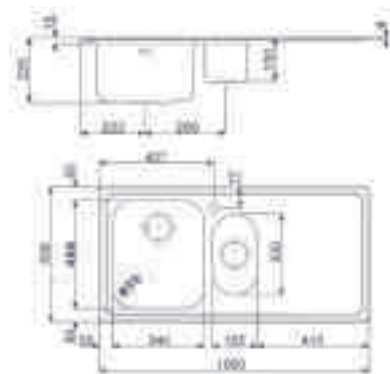
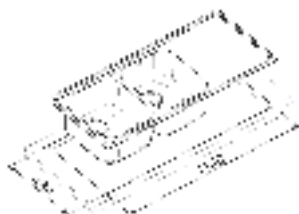
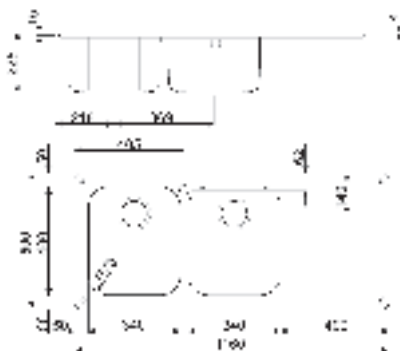


Minimum base unit: 60 cm  
 Half bowl  
 Radius corner right bowl: 80 mm  
 Strainer dimension right bowl: 3.5"  
 Traditional bowl  
 Radius corner left bowl: 80 mm  
 Strainer dimension left bowl: 3.5"  
 Traditional overflow  
 Low profile sink  
 Right drainer  
 Drainer inclination: 2 °  
 Frame depth (mm): 15  
 Frame thickness: 0.7 mm  
 Brushed stainless steel  
 Brushed aisi304 stainless steel  
 1 tap hole  
 Right bowl dimensions WxLxD (mm): 165 x 300 x 130  
 Left bowl dimensions WxLxD (mm): 340 x 400 x 210

Accessories for installation: Strainer, Siphon with dishwasher outlet connection, Fixing clips, Gasket

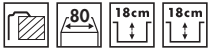
### ALSO AVAILABLE:

LEH102S  
 Left drainer



## LE116D-2

LOW PROFILE SINK, RIGAE, STAINLESS STEEL



Minimum base unit: 80 cm  
 Traditional bowl  
 Radius corner right bowl: 50 mm  
 Strainer dimension right bowl: 3.5"  
 Traditional overflow  
 Traditional bowl  
 Radius corner left bowl: 50 mm  
 Strainer dimension left bowl: 3.5"  
 Low profile sink  
 Right drainer  
 Drainer inclination: 2 °  
 Frame depth (mm): 15  
 Frame thickness: 0.6 mm  
 1 tap hole  
 Right bowl dimensions WxLxD (mm): 340 x 400 x 180  
 Left bowl dimensions WxLxD (mm): 340 x 400 x 180

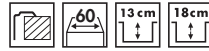
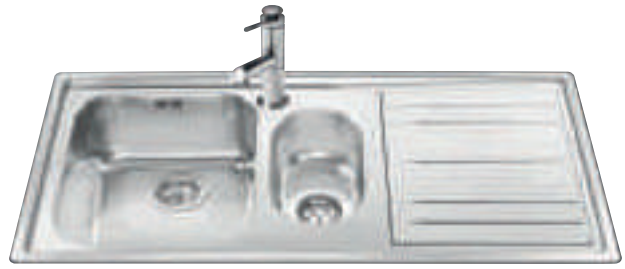
Accessories for installation: Strainer, Siphon with dishwasher outlet connection, Fixing clips, Gasket

### ALSO AVAILABLE:

LE116S-2  
 Left drainer

## LE102D-2

LOW PROFILE SINK, RIGAE, STAINLESS STEEL

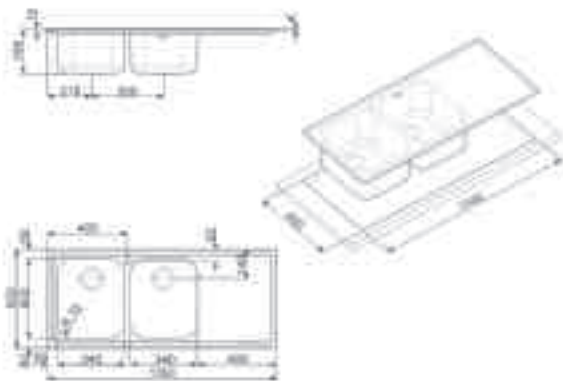


Minimum base unit: 60 cm  
 Half bowl  
 Radius corner right bowl: 80 mm  
 Strainer dimension right bowl: 3.5"  
 Traditional bowl  
 Radius corner left bowl: 80 mm  
 Strainer dimension left bowl: 3.5"  
 Traditional overflow  
 Low profile sink  
 Right drainer  
 Drainer inclination: 2 °  
 Frame depth (mm): 13  
 Frame thickness: 0.6 mm  
 Brushed stainless steel  
 Brushed aisi304 stainless steel  
 1 tap hole  
 Right bowl dimensions WxLxD (mm): 165 x 300 x 130  
 Left bowl dimensions WxLxD (mm): 340 x 400 x 180

Accessories for installation: Strainer, Siphon with dishwasher outlet connection, Fixing clips, Gasket

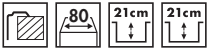
### ALSO AVAILABLE:

LE102S-2  
 Left drainer



## LEH862

LOW PROFILE SINK, RIGAE, STAINLESS STEEL

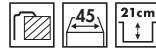


Minimum base unit: 80 cm  
 Traditional bowl  
 Radius corner right bowl: 80 mm  
 Strainer dimension right bowl: 3.5"  
 Traditional overflow  
 Traditional bowl  
 Radius corner left bowl: 80 mm  
 Strainer dimension left bowl: 3.5"  
 Low profile sink  
 Frame depth (mm): 13  
 Frame thickness: 0.7 mm  
 Brushed stainless steel  
 Brushed aisi304 stainless steel  
 1 tap hole  
 Right bowl dimensions WxLxD (mm): 340 x 400 x 210  
 Left bowl dimensions WxLxD (mm): 340 x 400 x 210

Accessories for installation: Strainer, Siphon with dishwasher outlet connection, Fixing clips, Gasket

## LEH861D

LOW PROFILE SINK, RIGAE, STAINLESS STEEL

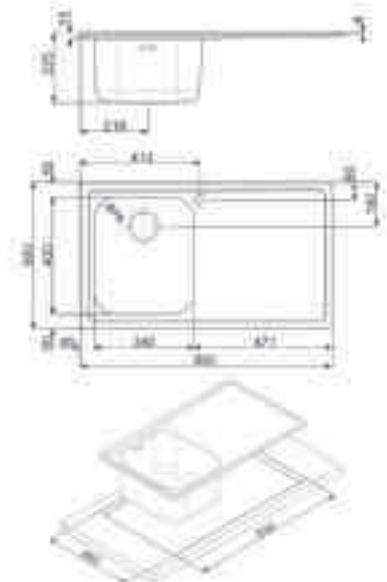
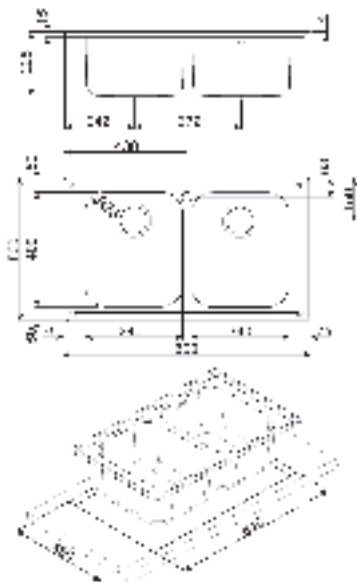


Minimum base unit: 45 cm  
 Traditional bowl  
 Radius corner left bowl: 80 mm  
 Strainer dimension left bowl: 3.5"  
 Traditional overflow  
 Low profile sink  
 Right drainer  
 Drainer inclination: 2 °  
 Frame depth (mm): 15  
 Frame thickness: 0.7 mm  
 Brushed stainless steel  
 Brushed aisi304 stainless steel  
 1 tap hole  
 Left bowl dimensions WxLxD (mm): 340 x 400 x 210

Accessories for installation: Strainer, Siphon with dishwasher outlet connection, Fixing clips, Gasket

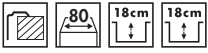
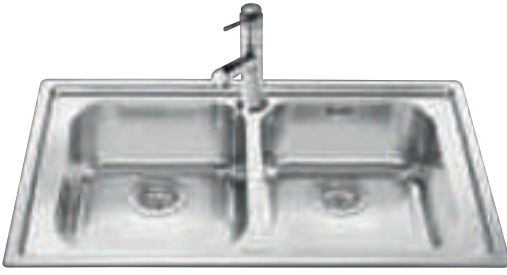
### ALSO AVAILABLE:

LEH861S  
 Left drainer



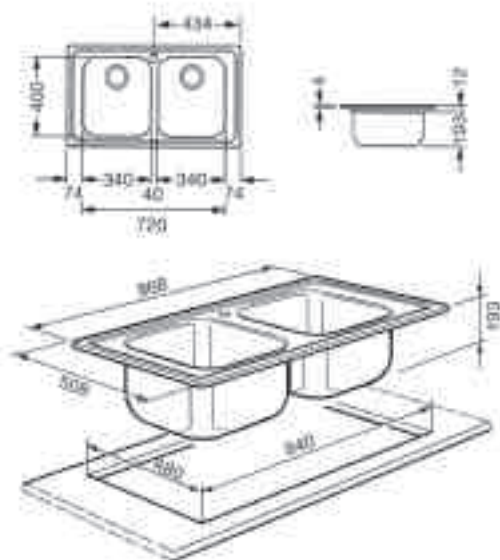
## LE862-2

LOW PROFILE SINK, RIGAE, STAINLESS STEEL



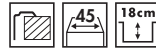
Minimum base unit: 80 cm  
 Traditional bowl  
 Radius corner right bowl: 80 mm  
 Strainer dimension right bowl: 3.5"  
 Traditional overflow  
 Traditional bowl  
 Radius corner left bowl: 80 mm  
 Strainer dimension left bowl: 3.5"  
 Low profile sink  
 Frame depth (mm): 13  
 Frame thickness: 0.6 mm  
 Brushed stainless steel  
 Brushed aisi304 stainless steel  
 1 tap hole  
 Right bowl dimensions WxLxD (mm): 340 x 400 x 180  
 Left bowl dimensions WxLxD (mm): 340 x 400 x 180

Accessories for installation: Strainer, Siphon with dishwasher outlet connection, Fixing clips, Gasket



## LE861D-2

LOW PROFILE SINK, RIGAE, STAINLESS STEEL

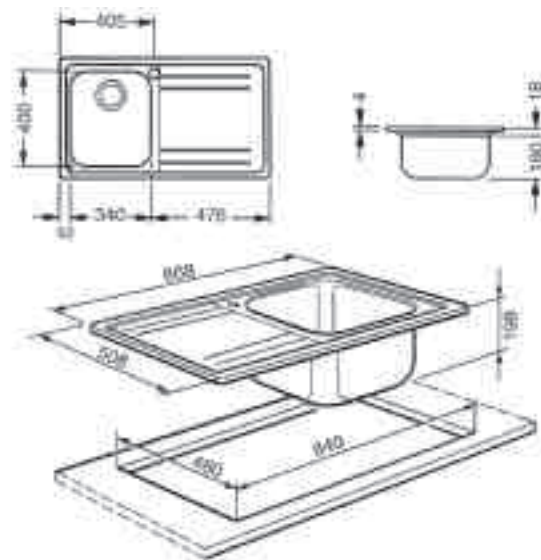


Minimum base unit: 45 cm  
 Traditional bowl  
 Radius corner left bowl: 80 mm  
 Strainer dimension left bowl: 3.5"  
 Traditional overflow  
 Low profile sink  
 Right drainer  
 Drainer inclination: 2 °  
 Frame depth (mm): 13  
 Frame thickness: 0.6 mm  
 Brushed stainless steel  
 Brushed aisi304 stainless steel  
 1 tap hole  
 Left bowl dimensions WxLxD (mm): 340 x 400 x 180

Accessories for installation: Strainer, Siphon with dishwasher outlet connection, Fixing clips, Gasket

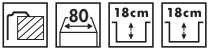
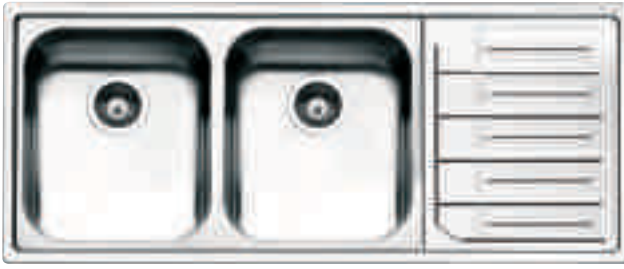
### ALSO AVAILABLE:

LE861S-2  
 Left drainer



## LPE116D

LOW PROFILE SINK, AURORA, STAINLESS STEEL



Minimum base unit: 80 cm  
 Traditional bowl  
 Radius corner right bowl: 80 mm  
 Strainer dimension right bowl: 3.5"  
 Traditional overflow  
 Traditional bowl  
 Radius corner left bowl: 80 mm  
 Strainer dimension left bowl: 3.5"  
 Low profile sink  
 Right drainer  
 Drainer inclination: 2 °  
 Frame depth (mm): 15  
 Frame thickness: 0.6 mm  
 Brushed stainless steel  
 Brushed aisi304 stainless steel  
 1 tap hole  
 Right bowl dimensions WxLxD (mm): 340 x 400 x 180  
 Left bowl dimensions WxLxD (mm): 340 x 400 x 180

Accessories for installation: Strainer, Siphon with dishwasher outlet connection, Fixing clips, Gasket

### ALSO AVAILABLE:

LPE116S  
 Left drainer

## LPE102D

LOW PROFILE SINK, AURORA, STAINLESS STEEL

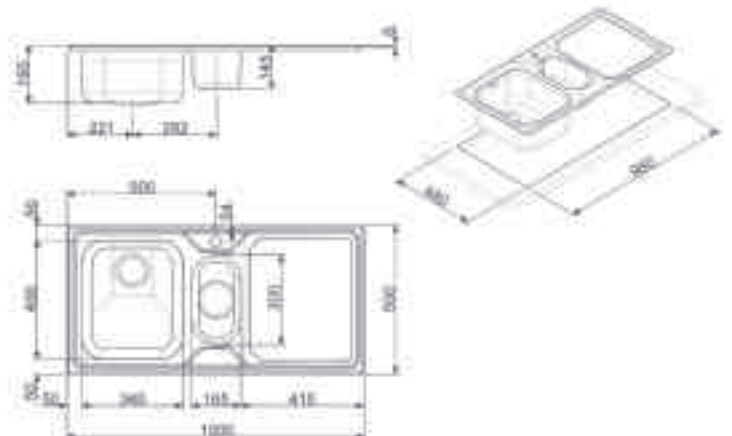
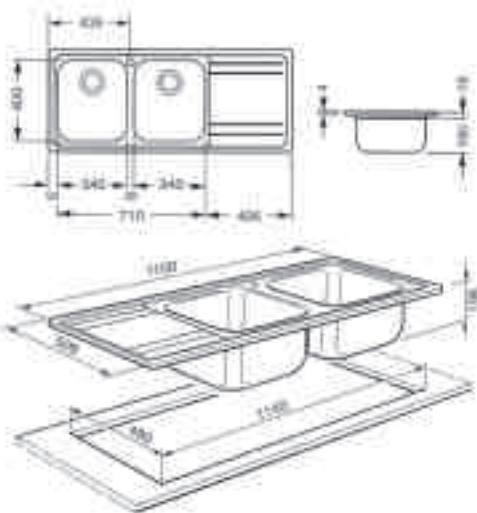


Minimum base unit: 60 cm  
 Half bowl  
 Radius corner right bowl: 80 mm  
 Strainer dimension right bowl: 3.5"  
 Traditional bowl  
 Radius corner left bowl: 80 mm  
 Strainer dimension left bowl: 3.5"  
 Traditional overflow  
 Low profile sink  
 Right drainer  
 Drainer inclination: 2 °  
 Frame depth (mm): 13  
 Frame thickness: 0.6 mm  
 Brushed stainless steel  
 Brushed aisi304 stainless steel  
 1 tap hole  
 Right bowl dimensions WxLxD (mm): 165 x 300 x 130  
 Left bowl dimensions WxLxD (mm): 340 x 400 x 180

Accessories for installation: Strainer, Siphon with dishwasher outlet connection, Fixing clips, Gasket

### ALSO AVAILABLE:

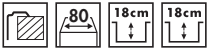
LPE102S  
 Left drainer





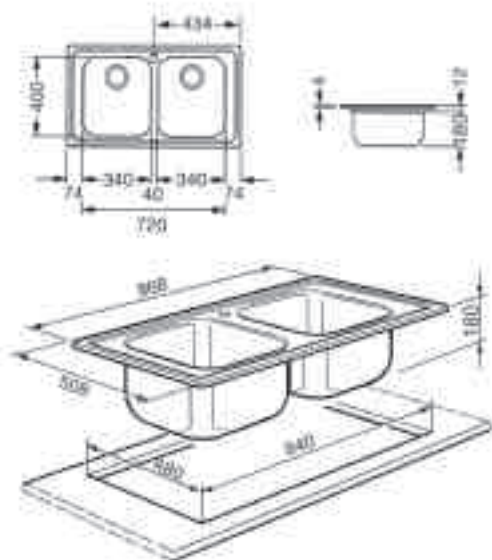
## LPE862

LOW PROFILE SINK, AURORA, STAINLESS STEEL



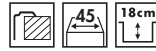
Minimum base unit: 80 cm  
 Traditional bowl  
 Radius corner right bowl: 80 mm  
 Strainer dimension right bowl: 3.5"  
 Traditional overflow  
 Traditional bowl  
 Radius corner left bowl: 80 mm  
 Strainer dimension left bowl: 3.5"  
 Low profile sink  
 Frame depth (mm): 13  
 Frame thickness: 0.6 mm  
 Brushed stainless steel  
 Brushed aisi304 stainless steel  
 1 tap hole  
 Right bowl dimensions WxLxD (mm): 340 x 400 x 180  
 Left bowl dimensions WxLxD (mm): 340 x 400 x 180

Accessories for installation: Strainer, Siphon with dishwasher outlet connection, Fixing clips, Gasket



## LPE861D

LOW PROFILE SINK, AURORA, STAINLESS STEEL

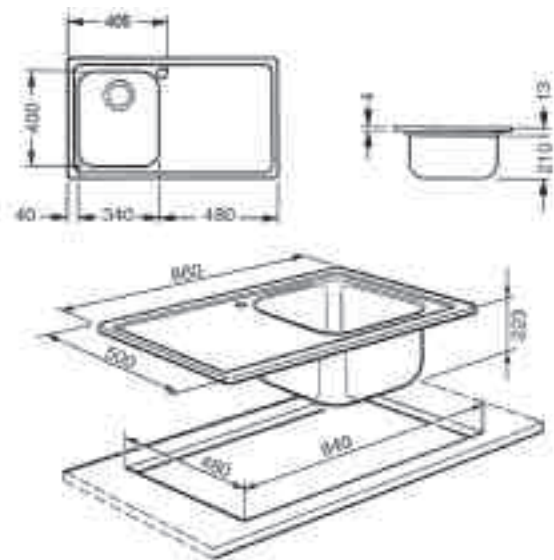


Minimum base unit: 45 cm  
 Traditional bowl  
 Radius corner left bowl: 80 mm  
 Strainer dimension left bowl: 3.5"  
 Traditional overflow  
 Low profile sink  
 Right drainer  
 Drainer inclination: 2 °  
 Frame depth (mm): 13  
 Frame thickness: 0.6 mm  
 Brushed stainless steel  
 Brushed aisi304 stainless steel  
 1 tap hole  
 Left bowl dimensions WxLxD (mm): 340 x 400 x 180

Accessories for installation: Strainer, Siphon with dishwasher outlet connection, Fixing clips, Gasket

### ALSO AVAILABLE:

LPE861S  
 Left drainer



## LYP861D

LOW PROFILE SINK, OMNIA, STAINLESS STEEL



Minimum base unit: 45 cm  
 Traditional bowl  
 Strainer dimension left bowl: 3.5"  
 Traditional overflow  
 Low profile sink  
 Right drainer  
 Drainer inclination: 2 °  
 Frame depth (mm): 8  
 Frame thickness: 0.6 mm  
 1 tap hole

Accessories for installation: Strainer, Siphon with dishwasher outlet connection, Fixing clips, Gasket

### ALSO AVAILABLE:

LYP861S  
 Left drainer

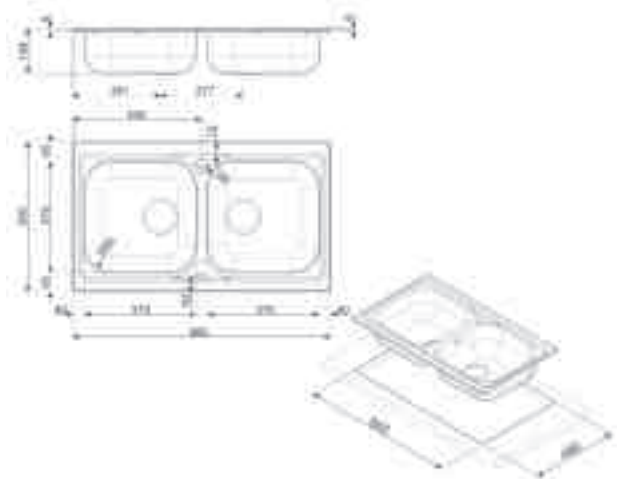
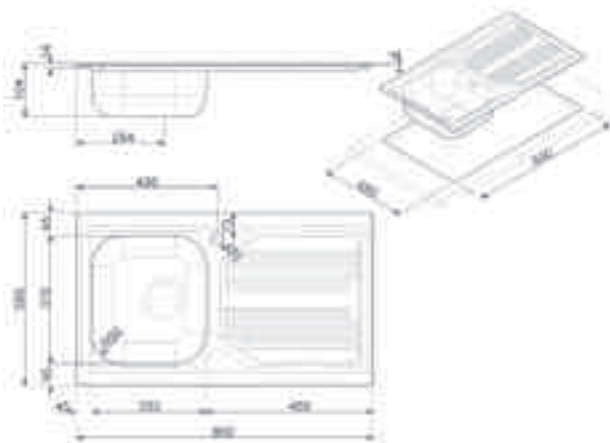
## LYP862

LOW PROFILE SINK, OMNIA, STAINLESS STEEL



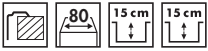
Minimum base unit: 90 cm  
 Traditional bowl  
 Strainer dimension right bowl: 3.5"  
 Traditional overflow  
 Traditional bowl  
 Strainer dimension left bowl: 3.5"  
 Low profile sink  
 Frame depth (mm): 8  
 Frame thickness: 0.6 mm  
 1 tap hole  
 Right bowl dimensions WxLxD (mm): 370 x 370 x 160  
 Left bowl dimensions WxLxD (mm): 370 x 370 x 160

Accessories for installation: Strainer, Siphon with dishwasher outlet connection, Fixing clips, Gasket



## LYP116D

LOW PROFILE SINK, OMNIA, STAINLESS STEEL



Minimum base unit: 80 cm  
 Traditional bowl  
 Strainer dimension right bowl: 3.5"  
 Traditional overflow  
 Traditional bowl  
 Strainer dimension left bowl: 3.5"  
 Low profile sink  
 Right drainer  
 Drainer inclination: 1 °  
 Frame depth (mm): 8  
 Frame thickness: 0.6 mm  
 1 tap hole

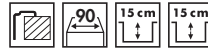
Accessories for installation: Strainer, Siphon with dishwasher outlet connection, Fixing clips, Gasket

**ALSO AVAILABLE:**

LYP116S  
 Left drainer

## LXP116D

STANDARD SINK, OMNIA, STAINLESS STEEL



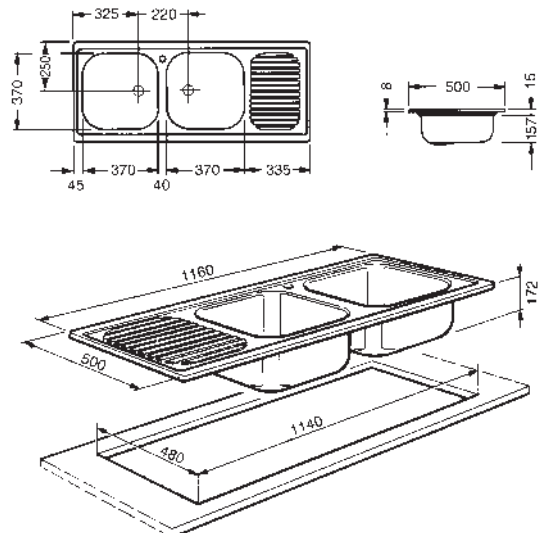
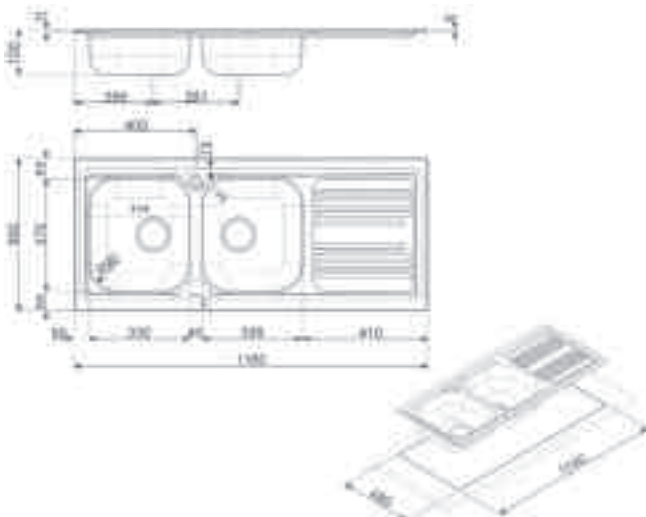
Minimum base unit: 90 cm  
 Traditional bowl  
 Radius corner right bowl: 80 mm  
 Strainer dimension right bowl: 3.5"  
 Traditional overflow  
 Traditional bowl  
 Strainer dimension left bowl: 3.5"  
 Standard sink  
 Right drainer  
 Drainer inclination: 1 °  
 Frame depth (mm): 8  
 Frame thickness: 0.6 mm  
 1 tap hole

Right bowl dimensions WxLxD (mm): 370 x 370 x 160  
 Left bowl dimensions WxLxD (mm): 370 x 370 x 160

Accessories for installation: Strainer, Siphon with dishwasher outlet connection, Fixing clips, Gasket

**ALSO AVAILABLE:**

LXP116S  
 Left drainer



## LXP861D

STANDARD SINK, OMNIA, STAINLESS STEEL



Minimum base unit: 60 cm  
 Traditional bowl  
 Radius corner left bowl: 80 mm  
 Strainer dimension left bowl: 3.5"  
 Traditional overflow  
 Standard sink  
 Right drainer  
 Drainer inclination: 2 °  
 Frame depth (mm): 8  
 Frame thickness: 0.6 mm  
 1 tap hole  
 Left bowl dimensions WxLxD (mm): 370 x 370 x 160

Accessories for installation: Strainer, Siphon with dishwasher outlet connection, Fixing clips, Gasket

### ALSO AVAILABLE:

LXP861S  
 Left drainer

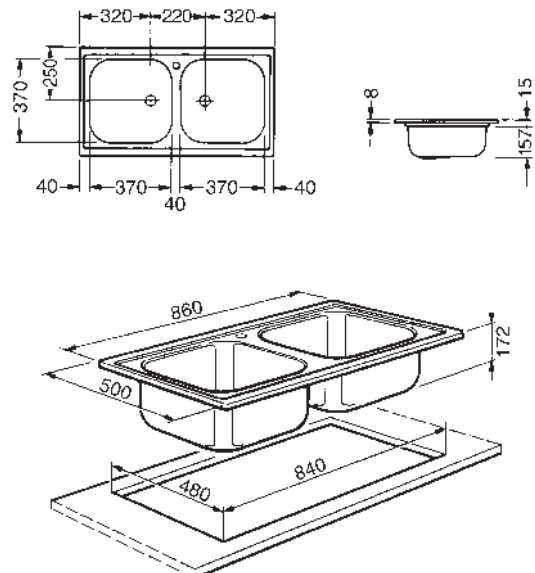
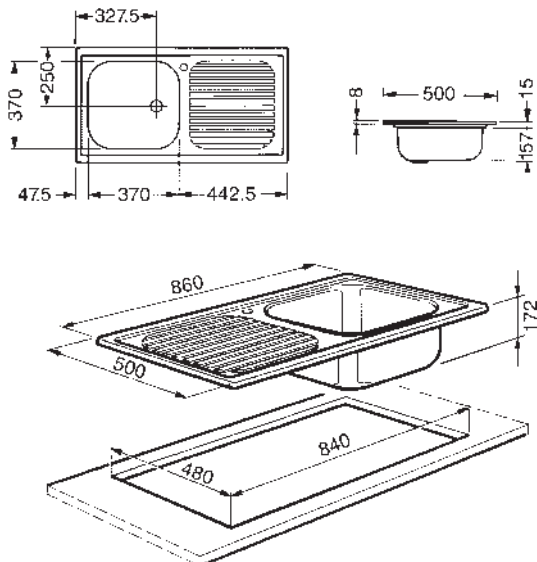
## LXP862

LOW PROFILE SINK, OMNIA, STAINLESS STEEL



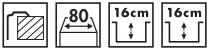
Minimum base unit: 90 cm  
 Traditional bowl  
 Strainer dimension right bowl: 3.5"  
 Traditional overflow  
 Traditional bowl  
 Strainer dimension left bowl: 3.5"  
 Low profile sink  
 Frame depth (mm): 8  
 Frame thickness: 0.6 mm  
 1 tap hole  
 Right bowl dimensions WxLxD (mm): 370 x 370 x 160  
 Left bowl dimensions WxLxD (mm): 370 x 370 x 160

Accessories for installation: Strainer, Siphon with dishwasher outlet connection, Fixing clips, Gasket



## LYP792

LOW PROFILE SINK, OMNIA, STAINLESS STEEL

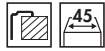


Minimum base unit: 80 cm  
 Traditional bowl  
 Strainer dimension right bowl: 3.5"  
 Traditional overflow  
 Traditional bowl  
 Strainer dimension left bowl: 3.5"  
 Low profile sink  
 Frame depth (mm): 8  
 Frame thickness: 0.6 mm  
 1 tap hole

Accessories for installation: Strainer, Siphon with dishwasher outlet connection, Fixing clips, Gasket

## 111

STANDARD SINK, OMNIA, STAINLESS STEEL

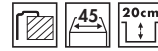


Minimum base unit: 45 cm  
 Round bowl  
 Strainer dimension auxiliary bowl: 2"  
 Standard sink  
 Brushed stainless steel  
 Brushed aisi304 stainless steel  
 Bowl dimensions (mm): 375 diameter

Accessories for installation: Strainer, Siphon, Gasket

## 10I3P

STANDARD SINK, OMNIA, STAINLESS STEEL

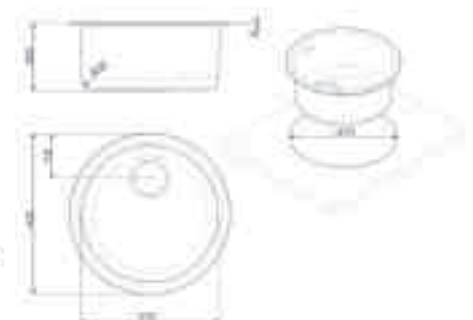
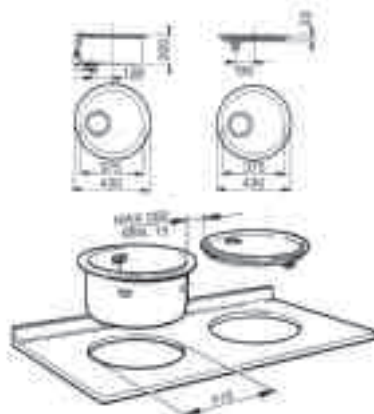
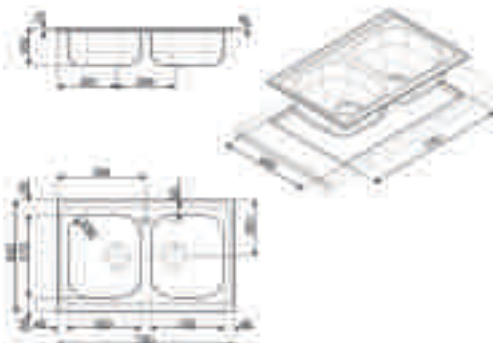


Minimum base unit: 45 cm  
 Round bowl  
 Strainer dimension: 3.5"  
 Traditional overflow  
 Standard sink  
 Brushed stainless steel  
 Brushed aisi304 stainless steel  
 Bowl dimensions (mm): 375 diameter

Accessories for installation: Strainer, Fixing clips, Gasket

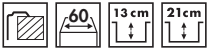
### ALSO AVAILABLE:

10I3PFR



## LL102D-2

LOW PROFILE SINK, NEUTRAL, STAINLESS STEEL



Minimum base unit: 60 cm  
Half bowl  
Radius corner right bowl: 80 mm  
Strainer dimension right bowl: 3.5"  
Traditional bowl  
Radius corner left bowl: 80 mm  
Strainer dimension left bowl: 3.5"  
Traditional overflow  
Low profile sink  
Right drainer  
Drainer inclination: 2 °  
Frame depth (mm): 13  
Frame thickness: 0.7 mm  
Brushed stainless steel  
Brushed aisi304 stainless steel  
1 tap hole  
Right bowl dimensions WxLxD (mm): 165 x 300 x 130  
Left bowl dimensions WxLxD (mm): 340 x 400 x 210

Accessories for installation: Strainer, Siphon with dishwasher outlet connection, Fixing clips, Gasket

### ALSO AVAILABLE:

LL102S-2  
Left drainer

## LL861D-2

LOW PROFILE SINK, NEUTRAL, STAINLESS STEEL

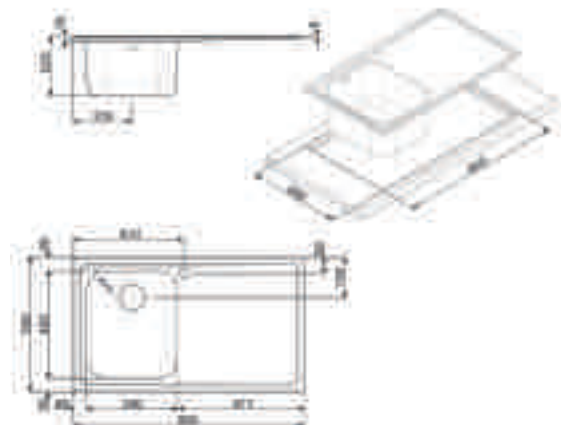
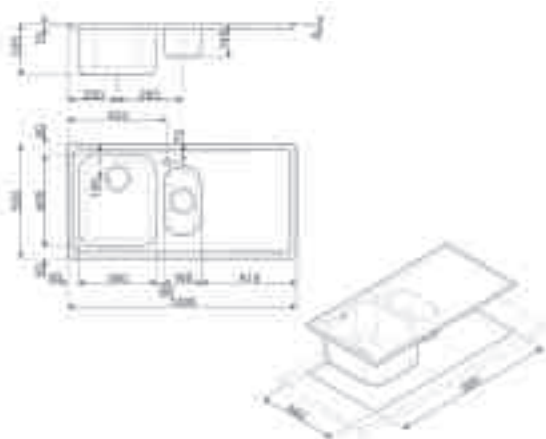


Minimum base unit: 45 cm  
Traditional bowl  
Radius corner left bowl: 80 mm  
Strainer dimension left bowl: 3.5"  
Traditional overflow  
Low profile sink  
Right drainer  
Drainer inclination: 2 °  
Frame depth (mm): 15  
Frame thickness: 0.7 mm  
Brushed stainless steel  
Brushed aisi304 stainless steel  
1 tap hole  
Left bowl dimensions WxLxD (mm): 340 x 400 x 210

Accessories for installation: Strainer, Siphon with dishwasher outlet connection, Fixing clips, Gasket

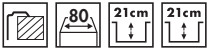
### ALSO AVAILABLE:

LL861S-2  
Left drainer



## LL116D-2

LOW PROFILE SINK, NEUTRAL, STAINLESS STEEL

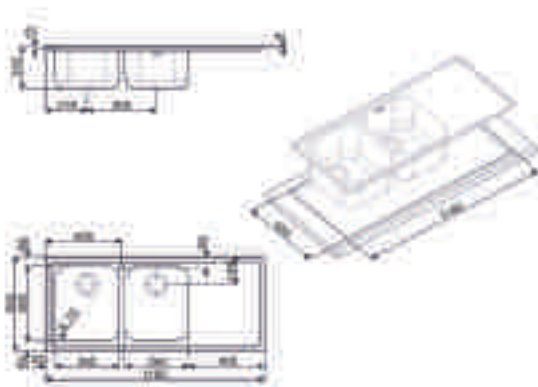


Minimum base unit: 80 cm  
 Traditional bowl  
 Radius corner right bowl: 80 mm  
 Strainer dimension right bowl: 3.5"  
 Traditional overflow  
 Traditional bowl  
 Radius corner left bowl: 80 mm  
 Strainer dimension left bowl: 3.5"  
 Low profile sink  
 Right drainer  
 Drainer inclination: 2 °  
 Frame depth (mm): 15  
 Frame thickness: 0.7 mm  
 Brushed stainless steel  
 Brushed aisi304 stainless steel  
 1 tap hole  
 Right bowl dimensions WxLxD (mm): 340 x 400 x 210  
 Left bowl dimensions WxLxD (mm): 340 x 400 x 210

Accessories for installation: Strainer, Siphon with dishwasher outlet connection, Fixing clips, Gasket

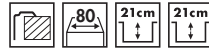
### ALSO AVAILABLE:

LL116S-2  
 Left drainer



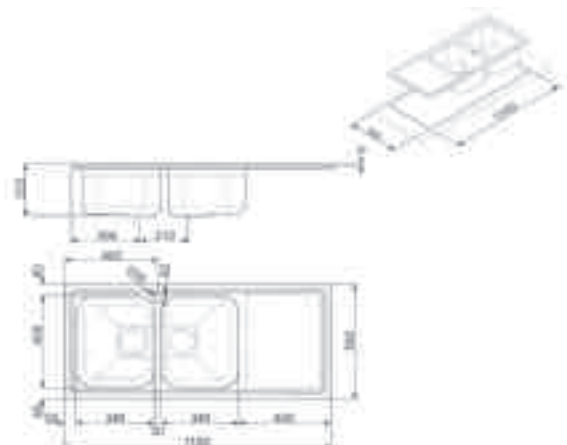
## LLR116-2

LOW PROFILE SINK, NEUTRAL, STAINLESS STEEL



Minimum base unit: 80 cm  
 Single round pop-up command  
 Traditional bowl  
 Radius corner right bowl: 80 mm  
 Strainer dimension right bowl: 3.5"  
 Traditional overflow  
 Traditional bowl  
 Radius corner left bowl: 80 mm  
 Strainer dimension left bowl: 3.5"  
 Low profile sink  
 Reversible drainer  
 Drainer inclination: 2 °  
 Frame depth (mm): 15  
 Frame thickness: 0.7 mm  
 Single pop-up command  
 Brushed stainless steel  
 Brushed aisi304 stainless steel  
 2 tap holes  
 Right bowl dimensions WxLxD (mm): 340 x 400 x 210  
 Left bowl dimensions WxLxD (mm): 340 x 400 x 210

Accessories for installation: Strainer, Siphon with dishwasher outlet connection, Fixing clips, Gasket



## LL861D-2

LOW PROFILE SINK, NEUTRAL, STAINLESS STEEL



Minimum base unit: 45 cm  
 Traditional bowl  
 Radius corner left bowl: 80 mm  
 Strainer dimension left bowl: 3.5"  
 Traditional overflow  
 Low profile sink  
 Right drainer  
 Drainer inclination: 2 °  
 Frame depth (mm): 15  
 Frame thickness: 0.7 mm  
 Brushed stainless steel  
 Brushed aisi304 stainless steel  
 1 tap hole  
 Left bowl dimensions WxLxD (mm): 340 x 400 x 210

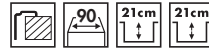
Accessories for installation: Strainer, Siphon with dishwasher outlet connection, Fixing clips, Gasket

### ALSO AVAILABLE:

LL861S-2  
 Left drainer

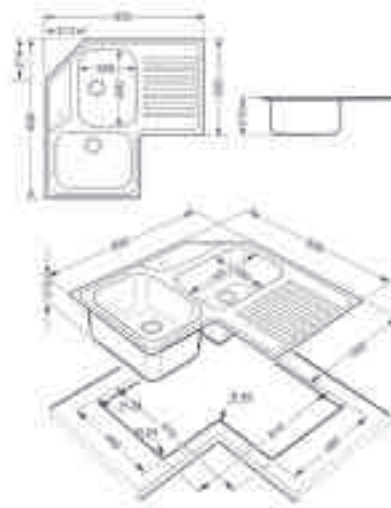
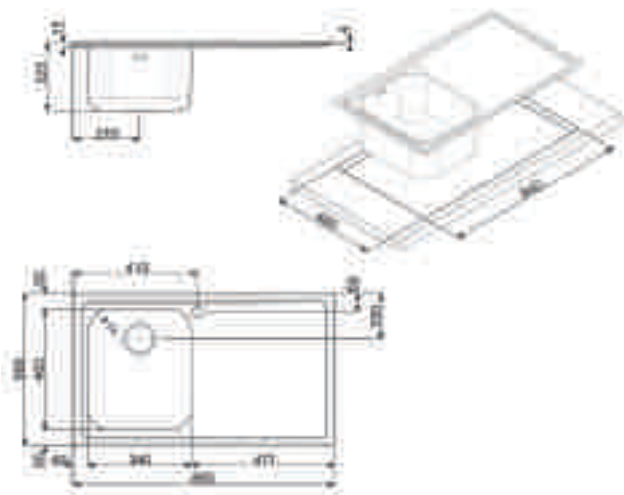
## LL2AD

STANDARD SINK, NEUTRAL, STAINLESS STEEL



Minimum base unit: 90 cm  
 Traditional bowl  
 Radius corner right bowl: 80 mm  
 Strainer dimension right bowl: 3.5"  
 Traditional overflow  
 Traditional bowl  
 Radius corner left bowl: 80 mm  
 Strainer dimension left bowl: 3.5"  
 Standard sink  
 Right drainer  
 Drainer inclination: 2 °  
 Frame depth (mm): 6  
 Frame thickness: 0.7 mm  
 Brushed stainless steel  
 Brushed aisi304 stainless steel  
 1 tap hole  
 Right bowl dimensions WxLxD (mm): 300 x 400 x 210  
 Left bowl dimensions WxLxD (mm): 300 x 400 x 210

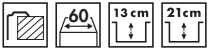
Accessories for installation: Strainer, Siphon with dishwasher outlet connection, Fixing clips, Gasket





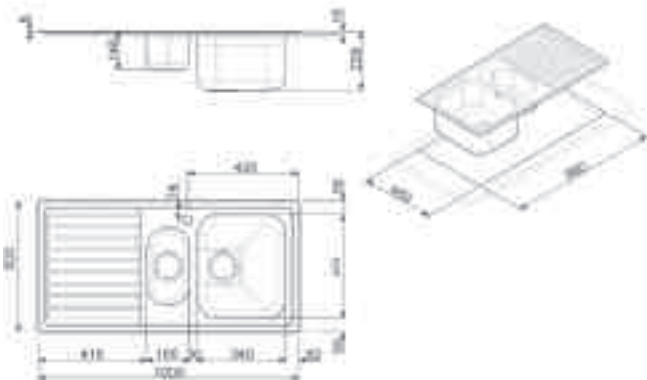
## LLR102-2

LOW PROFILE SINK, NEUTRAL, STAINLESS STEEL



Minimum base unit: 60 cm  
 Double round pop-up commands  
 Half bowl  
 Radius corner right bowl: 80 mm  
 Strainer dimension right bowl: 3.5"  
 Traditional bowl  
 Radius corner left bowl: 80 mm  
 Strainer dimension left bowl: 3.5"  
 Traditional overflow  
 Low profile sink  
 Reversible drainer  
 Drainer inclination: 2 °  
 Frame depth (mm): 18  
 Frame thickness: 0.7 mm  
 Double pop-up commands  
 Brushed stainless steel  
 Brushed aisi304 stainless steel  
 2 tap holes  
 Right bowl dimensions WxLxD (mm): 165 x 300 x 130  
 Left bowl dimensions WxLxD (mm): 340 x 400 x 210

Accessories for installation: Strainer, Siphon with dishwasher outlet connection, Fixing clips, Gasket



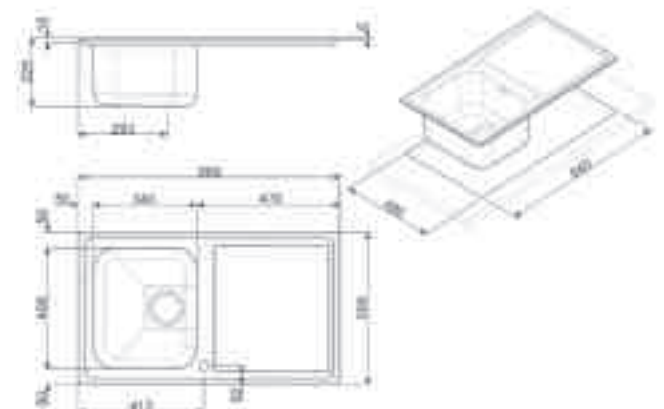
## LLR861-2

LOW PROFILE SINK, NEUTRAL, STAINLESS STEEL



Minimum base unit: 45 cm  
 Single round pop-up command  
 Traditional bowl  
 Radius corner left bowl: 80 mm  
 Strainer dimension left bowl: 3.5"  
 Traditional overflow  
 Low profile sink  
 Reversible drainer  
 Drainer inclination: 2 °  
 Frame depth (mm): 16  
 Frame thickness: 0.7 mm  
 Single pop-up command  
 Brushed stainless steel  
 Brushed aisi304 stainless steel  
 1 tap hole  
 Left bowl dimensions WxLxD (mm): 340 x 400 x 210

Accessories for installation: Strainer, Siphon with dishwasher outlet connection, Fixing clips, Gasket



## LG150D-2

LOW PROFILE SINK, NEUTRAL, STAINLESS STEEL



Minimum base unit: 80 cm  
 Traditional bowl  
 Radius corner left bowl: 80 mm  
 Strainer dimension left bowl: 3.5"  
 Traditional overflow  
 Low profile sink  
 Right drainer  
 Drainer inclination: 2 °  
 Frame depth (mm): 15  
 Frame thickness: 0.7 mm  
 Brushed stainless steel  
 Brushed aisi304 stainless steel  
 1 tap hole  
 Bowl dimensions WxLxD (mm): 500 x 400 x 200

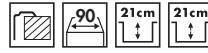
Accessories for installation: Strainer, Siphon with dishwasher outlet connection, Fixing clips, Gasket

**ALSO AVAILABLE:**

LG150S-2

## LG116D-2

LOW PROFILE SINK, NEUTRAL, STAINLESS STEEL



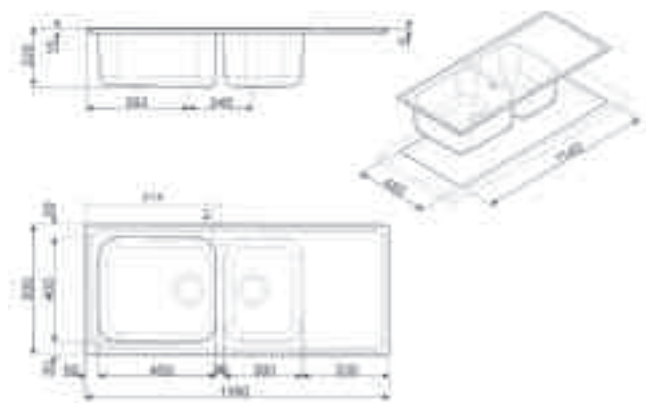
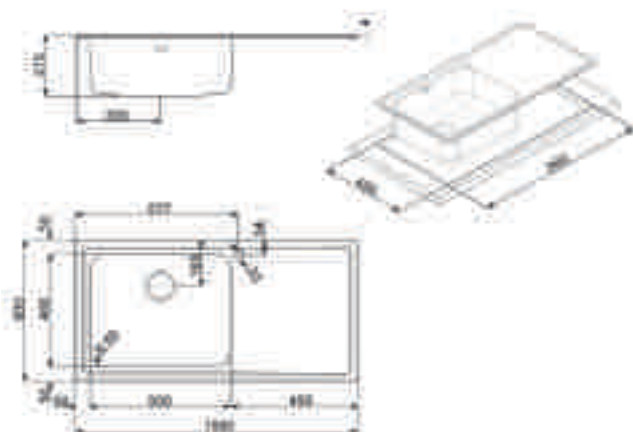
Minimum base unit: 90 cm  
 Traditional bowl  
 Radius corner right bowl: 80 mm  
 Strainer dimension right bowl: 3.5"  
 Traditional bowl  
 Radius corner left bowl: 80 mm  
 Strainer dimension left bowl: 3.5"  
 Traditional overflow  
 Low profile sink  
 Right drainer  
 Drainer inclination: 2 °  
 Frame depth (mm): 13  
 Frame thickness: 0.7 mm  
 Brushed stainless steel  
 Brushed aisi304 stainless steel  
 1 tap hole  
 Right bowl dimensions WxLxD (mm): 300 x 400 x 210  
 Left bowl dimensions WxLxD (mm): 450 x 400 x 210

Accessories for installation: Strainer, Siphon with dishwasher outlet connection, Fixing clips, Gasket

**ALSO AVAILABLE:**

LG116S-2

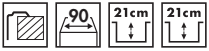
Left drainer





## LG862-2

LOW PROFILE SINK, NEUTRAL, STAINLESS STEEL



Minimum base unit: 90 cm  
 Traditional bowl  
 Radius corner right bowl: 80 mm  
 Strainer dimension right bowl: 3.5"  
 Traditional bowl  
 Radius corner left bowl: 80 mm  
 Strainer dimension left bowl: 3.5"  
 Traditional overflow  
 Low profile sink  
 Frame depth (mm): 13  
 Frame thickness: 0.7 mm  
 Brushed stainless steel  
 Brushed aisi304 stainless steel  
 1 tap hole  
 Right bowl dimensions WxLxD (mm): 300 x 400 x 210  
 Left bowl dimensions WxLxD (mm): 450 x 400 x 210

Accessories for installation: Strainer, Siphon with dishwasher outlet connection, Fixing clips, Gasket

## LG861D-2

LOW PROFILE SINK, NEUTRAL, STAINLESS STEEL



Minimum base unit: 60 cm  
 Strainer dimension left bowl: 3.5"  
 Traditional bowl  
 Radius corner left bowl: 80 mm  
 Strainer dimension left bowl: 3.5"  
 Traditional overflow  
 Low profile sink  
 Right drainer  
 Drainer inclination: 2 °  
 Frame depth (mm): 15  
 Frame thickness: 0.7 mm  
 Brushed stainless steel  
 Brushed aisi304 stainless steel  
 1 tap hole  
 Bowl dimensions WxLxD (mm): 450 x 400 x 210

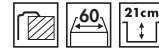
Accessories for installation: Strainer, Siphon with dishwasher outlet connection, Fixing clips, Gasket

### ALSO AVAILABLE:

LG861S-2  
 Left drainer

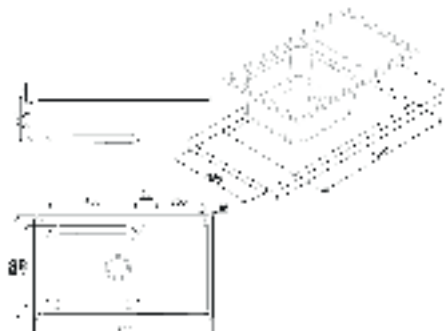
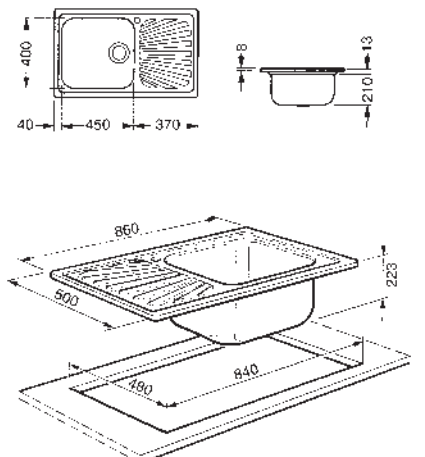
## LGR861

LOW PROFILE SINK, NEUTRAL, STAINLESS STEEL



Minimum base unit: 60 cm  
 Single round pop-up command  
 Traditional bowl  
 Radius corner left bowl: 80 mm  
 Strainer dimension left bowl: 3.5"  
 Traditional overflow  
 Low profile sink  
 Reversible drainer  
 Drainer inclination: 2 °  
 Frame depth (mm): 13  
 Frame thickness: 0.7 mm  
 Single pop-up command  
 Brushed stainless steel  
 Brushed aisi304 stainless steel  
 1 tap hole  
 Bowl dimensions WxLxD (mm): 450 x 400 x 210

Accessories for installation: Strainer, Siphon with dishwasher outlet connection, Fixing clips, Gasket



## SGE116.1D

STANDARD SINK, NEUTRAL, STAINLESS STEEL



Minimum base unit: 60 cm  
 Traditional bowl  
 Radius corner left bowl: 80 mm  
 Strainer dimension left bowl: 3.5"  
 Traditional overflow  
 Standard sink  
 Right drainer  
 Drainer inclination: 2°  
 Frame depth (mm): 30  
 Frame thickness: 0.7 mm  
 Brushed stainless steel  
 Brushed aisi304 stainless steel  
 1 tap hole  
 Left bowl dimensions WxLxD (mm): 450 x 400 x 210

Accessories for installation: Strainer, Siphon with dishwasher outlet connection, Fixing clips, Gasket

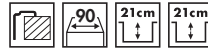
### ALSO AVAILABLE:

SGE116.1S

Left drainer

## SG116D

STANDARD SINK, NEUTRAL, STAINLESS STEEL



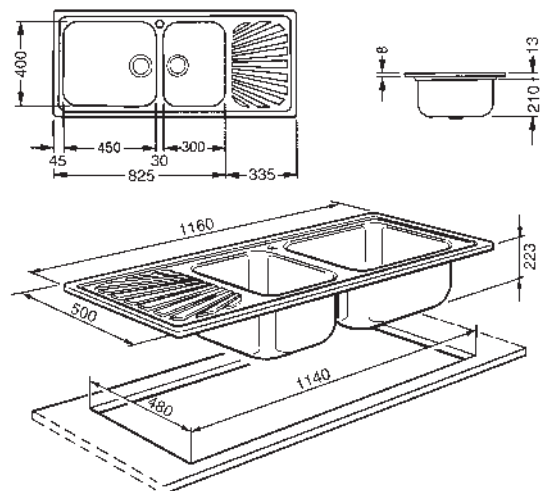
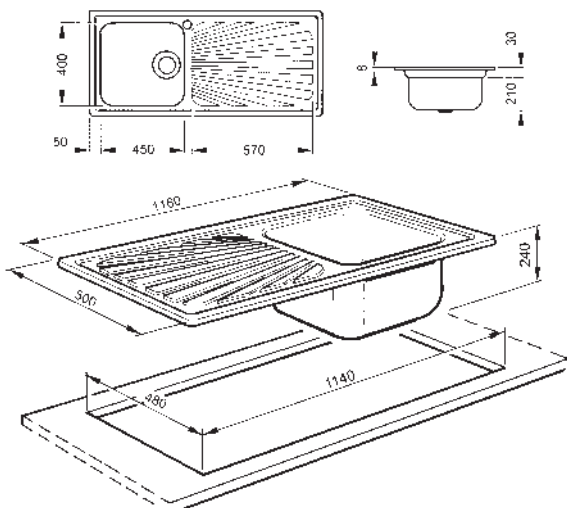
Minimum base unit: 90 cm  
 Traditional bowl  
 Radius corner right bowl: 80 mm  
 Strainer dimension right bowl: 3.5"  
 Traditional bowl  
 Radius corner left bowl: 80 mm  
 Strainer dimension left bowl: 3.5"  
 Traditional overflow  
 Standard sink  
 Right drainer  
 Frame depth (mm): 13  
 Frame thickness: 0.7 mm  
 Brushed stainless steel  
 Brushed aisi304 stainless steel  
 1 tap hole  
 Right bowl dimensions WxLxD (mm): 300 x 400 x 210  
 Left bowl dimensions WxLxD (mm): 450 x 400 x 210

Accessories for installation: Strainer, Siphon with dishwasher outlet connection, Fixing clips, Gasket

### ALSO AVAILABLE:

SG116S

Left drainer



## SG861D

STANDARD SINK, NEUTRAL, STAINLESS STEEL



Minimum base unit: 60 cm  
 Traditional bowl  
 Radius corner left bowl: 80 mm  
 Strainer dimension left bowl: 3.5"  
 Traditional overflow  
 Standard sink  
 Right drainer  
 Drainer inclination: 2 °  
 Frame depth (mm): 13  
 Frame thickness: 0.7 mm  
 Brushed stainless steel  
 Brushed aisi304 stainless steel  
 1 tap hole  
 Left bowl dimensions WxLxD (mm): 450 x 400 x 210

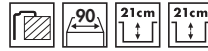
Accessories for installation: Strainer, Siphon with dishwasher outlet connection, Fixing clips, Gasket

### ALSO AVAILABLE:

SG861S  
 Left drainer

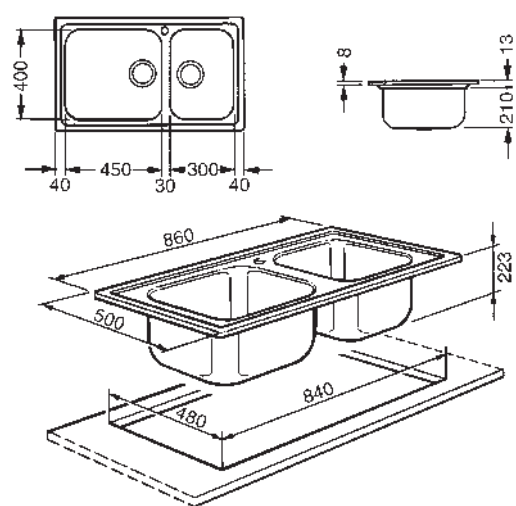
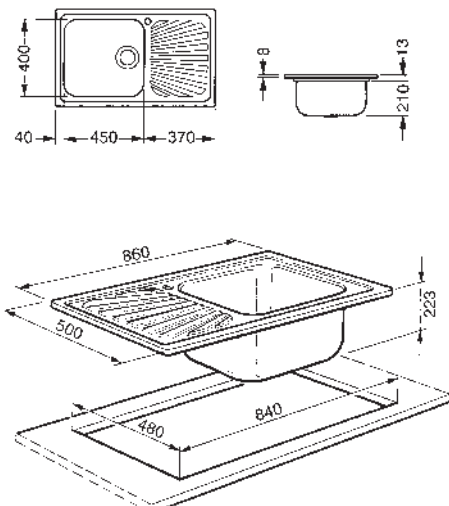
## SG862

STANDARD SINK, NEUTRAL, STAINLESS STEEL



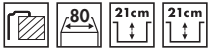
Minimum base unit: 90 cm  
 Traditional bowl  
 Radius corner right bowl: 80 mm  
 Strainer dimension right bowl: 3.5"  
 Traditional bowl  
 Radius corner left bowl: 80 mm  
 Strainer dimension left bowl: 3.5"  
 Traditional overflow  
 Standard sink  
 Frame depth (mm): 13  
 Frame thickness: 0.7 mm  
 Brushed stainless steel  
 Brushed aisi304 stainless steel  
 1 tap hole  
 Right bowl dimensions WxLxD (mm): 300 x 400 x 210  
 Left bowl dimensions WxLxD (mm): 450 x 400 x 210

Accessories for installation: Strainer, Siphon with dishwasher outlet connection, Fixing clips, Gasket



## SP792-2

STANDARD SINK, NEUTRAL, STAINLESS STEEL



Minimum base unit: 80 cm  
 Traditional bowl  
 Radius corner right bowl: 80 mm  
 Strainer dimension right bowl: 3.5"  
 Traditional overflow  
 Traditional bowl  
 Radius corner left bowl: 80 mm  
 Strainer dimension left bowl: 3.5"  
 Standard sink  
 Frame depth (mm): 13  
 Frame thickness: 0.7 mm  
 Brushed stainless steel  
 Brushed aisi304 stainless steel  
 1 tap hole  
 Right bowl dimensions WxLxD (mm): 340 x 400 x 210  
 Left bowl dimensions WxLxD (mm): 340 x 400 x 210

Accessories for installation: Strainer, Siphon with dishwasher outlet connection, Fixing clips, Gasket

## SP7915D-2

STANDARD SINK, NEUTRAL, STAINLESS STEEL



Minimum base unit: 80 cm  
 Half bowl  
 Radius corner right bowl: 80 mm  
 Strainer dimension right bowl: 3.5"  
 Traditional overflow  
 Traditional bowl  
 Radius corner left bowl: 80 mm  
 Strainer dimension left bowl: 3.5"  
 Traditional overflow  
 Standard sink  
 Right drainer  
 Drainer inclination: 1 °  
 Frame depth (mm): 13  
 Frame thickness: 0.7 mm  
 Brushed stainless steel  
 Brushed aisi304 stainless steel  
 1 tap hole  
 Right bowl dimensions WxLxD (mm): 165 x 300 x 130  
 Left bowl dimensions WxLxD (mm): 340 x 400 x 210

Accessories for installation: Strainer, Siphon with dishwasher outlet connection, Fixing clips, Gasket

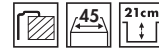
### ALSO AVAILABLE:

SP7915S-2

Left drainer

## SP791D-2

STANDARD SINK, NEUTRAL, STAINLESS STEEL

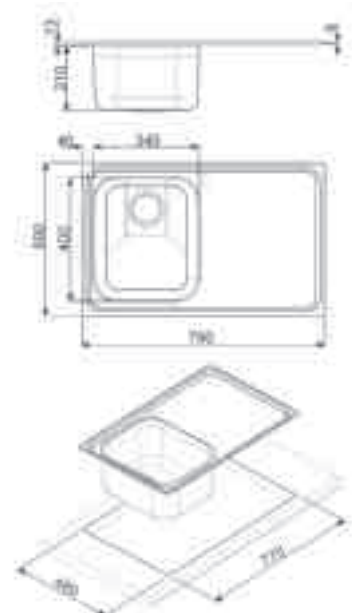
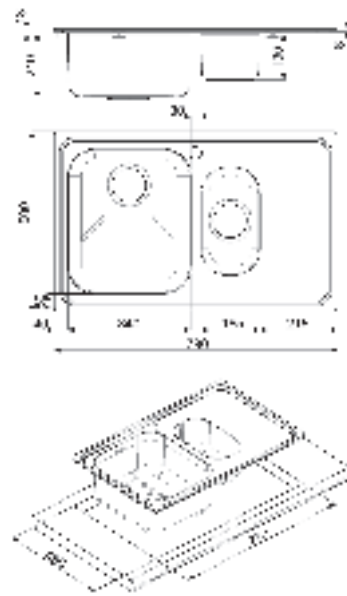
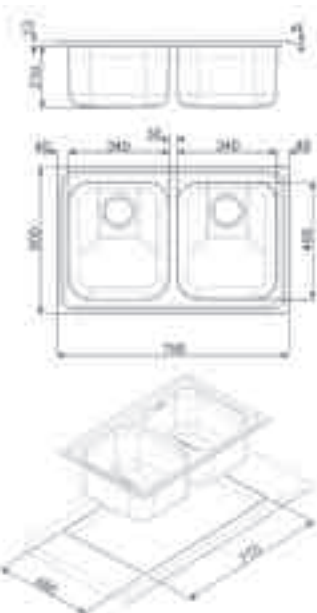


Minimum base unit: 45 cm  
 Traditional bowl  
 Radius corner left bowl: 80 mm  
 Strainer dimension left bowl: 3.5"  
 Traditional overflow  
 Standard sink  
 Right drainer  
 Drainer inclination: 1 °  
 Frame depth (mm): 13  
 Frame thickness: 0.7 mm  
 Brushed stainless steel  
 Brushed aisi304 stainless steel  
 1 tap hole  
 Left bowl dimensions WxLxD (mm): 340 x 400 x 210

Accessories for installation: Strainer, Siphon with dishwasher outlet connection, Fixing clips, Gasket

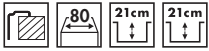
### ALSO AVAILABLE:

SP791S-2



## SP116D

STANDARD SINK, NEUTRAL, STAINLESS STEEL



Minimum base unit: 80 cm  
 Traditional bowl  
 Radius corner right bowl: 80 mm  
 Strainer dimension right bowl: 3.5"  
 Traditional overflow  
 Traditional bowl  
 Radius corner left bowl: 80 mm  
 Strainer dimension left bowl: 3.5"  
 Standard sink  
 Right drainer  
 Drainer inclination: 2 °  
 Frame depth (mm): 13  
 Frame thickness: 0.7 mm  
 Brushed stainless steel  
 Brushed aisi304 stainless steel  
 1 tap hole  
 Right bowl dimensions WxLxD (mm): 340 x 400 x 210  
 Left bowl dimensions WxLxD (mm): 340 x 400 x 210

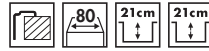
Accessories for installation: Strainer, Siphon with dishwasher outlet connection, Fixing clips, Gasket

### ALSO AVAILABLE:

SP116S  
 Left drainer

## APM116D

STANDARD SINK, NEUTRAL, STAINLESS STEEL

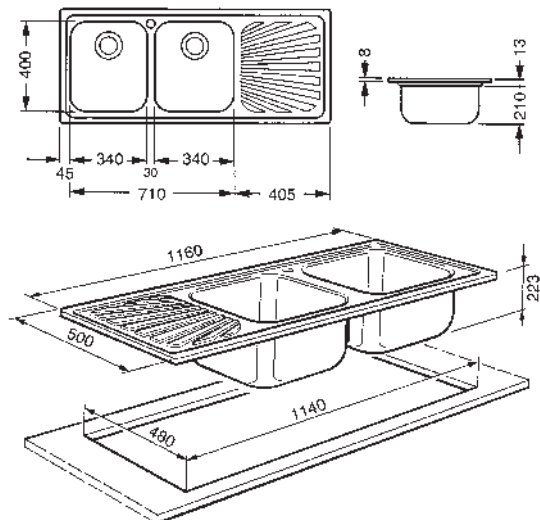
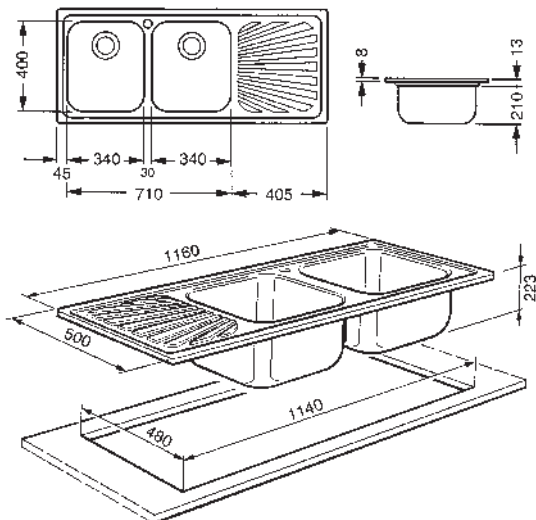


Minimum base unit: 80 cm  
 Traditional bowl  
 Radius corner right bowl: 80 mm  
 Strainer dimension right bowl: 3.5"  
 Traditional overflow  
 Traditional bowl  
 Radius corner left bowl: 80 mm  
 Strainer dimension left bowl: 3.5"  
 Standard sink  
 Right drainer  
 Drainer inclination: 2 °  
 Frame depth (mm): 13  
 Frame thickness: 0.7 mm  
 1 tap hole  
 Right bowl dimensions WxLxD (mm): 340 x 400 x 210  
 Left bowl dimensions WxLxD (mm): 340 x 400 x 210

Accessories for installation: Strainer, Siphon with dishwasher outlet connection, Fixing clips, Gasket

### ALSO AVAILABLE:

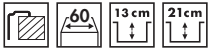
APM861S  
 Left drainer





## SP102D

STANDARD SINK, NEUTRAL, STAINLESS STEEL

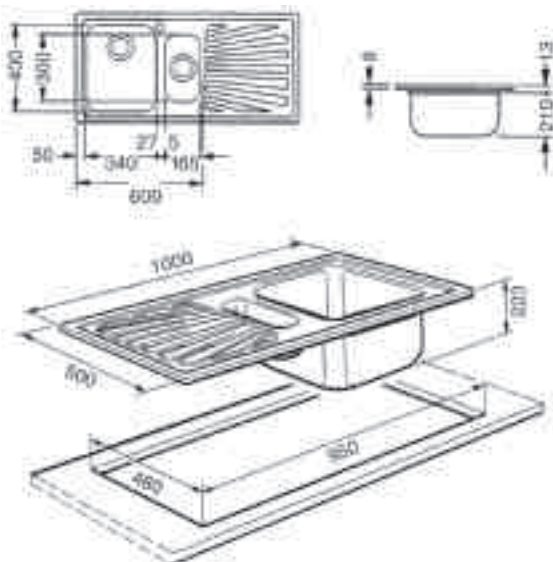


Minimum base unit: 60 cm  
 Half bowl  
 Radius corner right bowl: 80 mm  
 Strainer dimension right bowl: 3.5"  
 Traditional bowl  
 Radius corner left bowl: 80 mm  
 Strainer dimension left bowl: 3.5"  
 Traditional overflow  
 Standard sink  
 Right drainer  
 Drainer inclination: 2 °  
 Frame depth (mm): 13  
 Frame thickness: 0.7 mm  
 Brushed stainless steel  
 Brushed aisi304 stainless steel  
 1 tap hole  
 Right bowl dimensions WxLxD (mm): 165 x 300 x 130  
 Left bowl dimensions WxLxD (mm): 340 x 400 x 210

Accessories for installation: Strainer, Siphon with dishwasher outlet connection, Fixing clips, Gasket

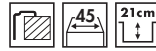
### ALSO AVAILABLE:

SP102S  
 Left drainer



## SP101D

STANDARD SINK, NEUTRAL, STAINLESS STEEL

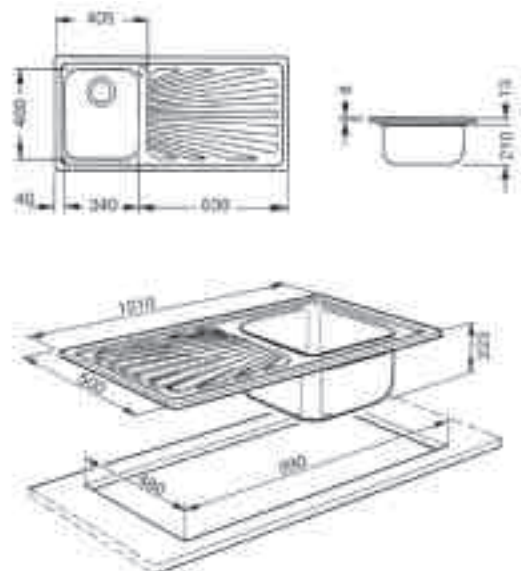


Minimum base unit: 45 cm  
 Traditional bowl  
 Radius corner left bowl: 80 mm  
 Strainer dimension left bowl: 3.5"  
 Traditional overflow  
 Standard sink  
 Right drainer  
 Drainer inclination: 2 °  
 Frame depth (mm): 13  
 Frame thickness: 0.7 mm  
 Brushed stainless steel  
 Brushed aisi304 stainless steel  
 1 tap hole  
 Left bowl dimensions WxLxD (mm): 340 x 400 x 210

Accessories for installation: Strainer, Siphon with dishwasher outlet connection, Fixing clips, Gasket

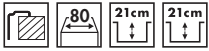
### ALSO AVAILABLE:

SP101S  
 Left drainer



## SP862

STANDARD SINK, NEUTRAL, STAINLESS STEEL

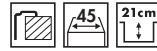


Minimum base unit: 80 cm  
 Traditional bowl  
 Radius corner right bowl: 80 mm  
 Strainer dimension right bowl: 3.5"  
 Traditional overflow  
 Traditional bowl  
 Radius corner left bowl: 80 mm  
 Strainer dimension left bowl: 3.5"  
 Standard sink  
 Frame depth (mm): 13  
 Frame thickness: 0.7 mm  
 Brushed stainless steel  
 Brushed aisi304 stainless steel  
 1 tap hole  
 Right bowl dimensions WxLxD (mm): 340 x 400 x 210  
 Left bowl dimensions WxLxD (mm): 340 x 400 x 210

Accessories for installation: Strainer, Siphon with dishwasher outlet connection, Fixing clips, Gasket

## SP861D

STANDARD SINK, NEUTRAL, STAINLESS STEEL

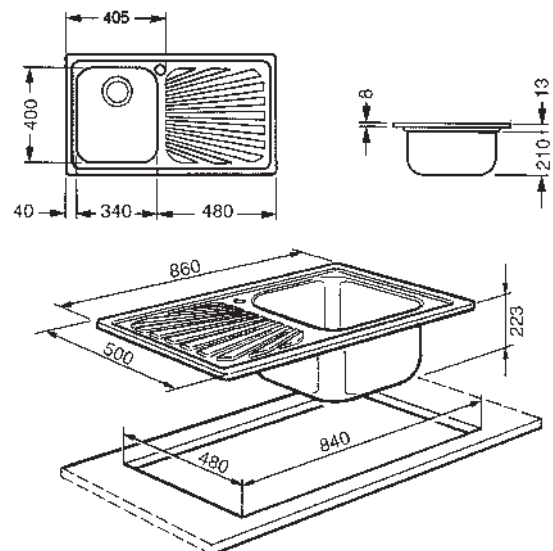
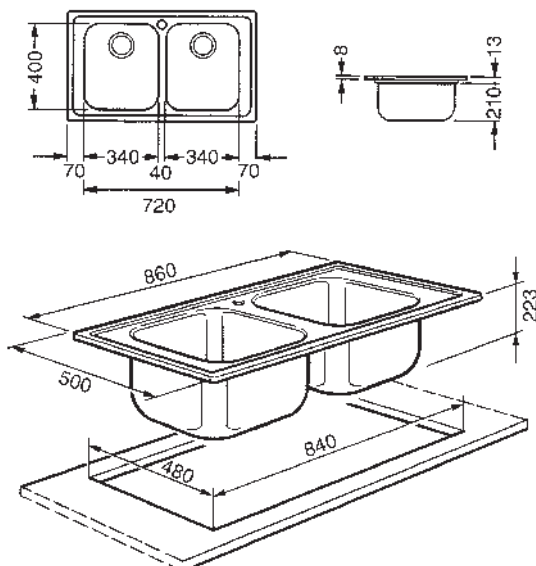


Minimum base unit: 45 cm  
 Traditional bowl  
 Radius corner left bowl: 80 mm  
 Strainer dimension left bowl: 3.5"  
 Traditional overflow  
 Standard sink  
 Right drainer  
 Drainer inclination: 2 °  
 Frame depth (mm): 13  
 Frame thickness: 0.7 mm  
 Brushed stainless steel  
 Brushed aisi304 stainless steel  
 1 tap hole  
 Left bowl dimensions WxLxD (mm): 340 x 400 x 210

Accessories for installation: Strainer, Siphon with dishwasher outlet connection, Fixing clips, Gasket

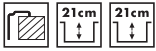
### ALSO AVAILABLE:

SP861S  
 Left drainer



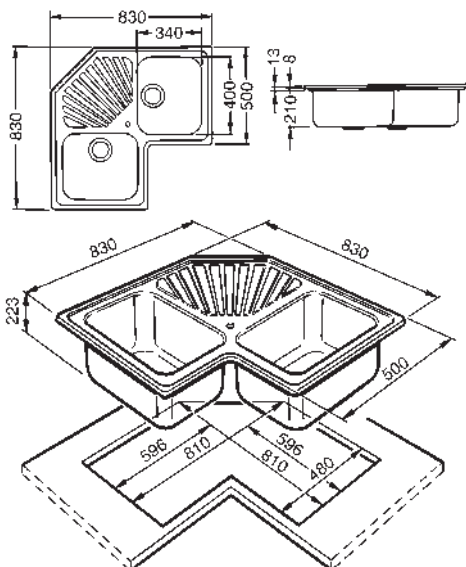
## SP2A

STANDARD SINK, NEUTRAL, STAINLESS STEEL



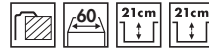
Traditional bowl  
 Radius corner right bowl: 50 mm  
 Strainer dimension right bowl: 3.5"  
 Traditional overflow  
 Traditional bowl  
 Radius corner left bowl: 50 mm  
 Strainer dimension left bowl: 3.5"  
 Traditional overflow  
 Standard sink  
 Drainer inclination: 1 °  
 Frame depth (mm): 13  
 Frame thickness: 0.7 mm  
 Brushed stainless steel  
 Brushed aisi304 stainless steel  
 1 tap hole  
 Right bowl dimensions WxLxD (mm): 340 x 400 x 210  
 Left bowl dimensions WxLxD (mm): 340 x 400 x 210

Accessories for installation: Strainer, Siphon with dishwasher outlet connection, Fixing clips, Gasket



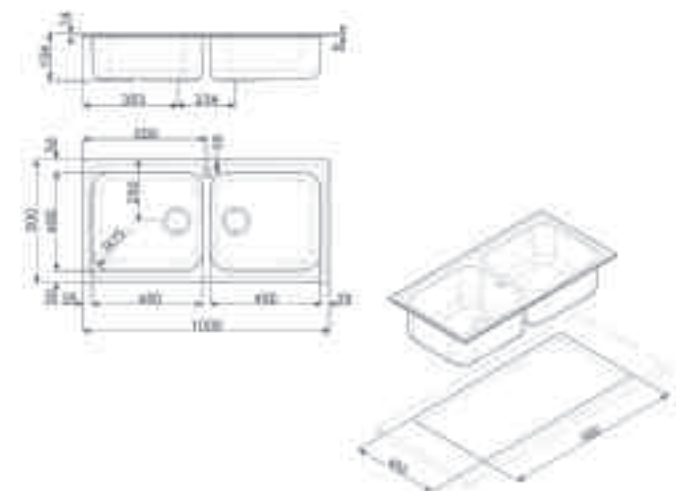
## BRG100

LOW PROFILE SINK, CLASSICA, STAINLESS STEEL



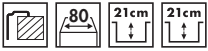
Minimum base unit: 60 cm  
 Traditional bowl  
 Radius corner right bowl: 80 mm  
 Strainer dimension right bowl: 3.5"  
 Traditional bowl  
 Radius corner left bowl: 80 mm  
 Strainer dimension left bowl: 3.5"  
 Traditional overflow  
 Low profile sink  
 Frame depth (mm): 14  
 Frame thickness: 0.7 mm  
 Brushed stainless steel  
 Brushed aisi304 stainless steel  
 1 tap hole  
 Bowl dimensions WxLxD (mm): 450 x 400 x 210  
 Left bowl dimensions WxLxD (mm): 450 x 400 x 210

Accessories for installation: Strainer, Siphon with dishwasher outlet connection, Fixing clips, Gasket



## APM862

STANDARD SINK, NEUTRAL, STAINLESS STEEL



Minimum base unit: 80 cm  
 Traditional bowl  
 Radius corner right bowl: 80 mm  
 Strainer dimension right bowl: 3.5"  
 Traditional overflow  
 Traditional bowl  
 Radius corner left bowl: 80 mm  
 Strainer dimension left bowl: 3.5"  
 Standard sink  
 Frame depth (mm): 13  
 Frame thickness: 0.7 mm  
 1 tap hole  
 Right bowl dimensions WxLxD (mm): 340 x 400 x 210  
 Left bowl dimensions WxLxD (mm): 340 x 400 x 210

Accessories for installation: Strainer, Siphon with dishwasher outlet connection, Fixing clips, Gasket

## APM861D

STANDARD SINK, NEUTRAL, STAINLESS STEEL

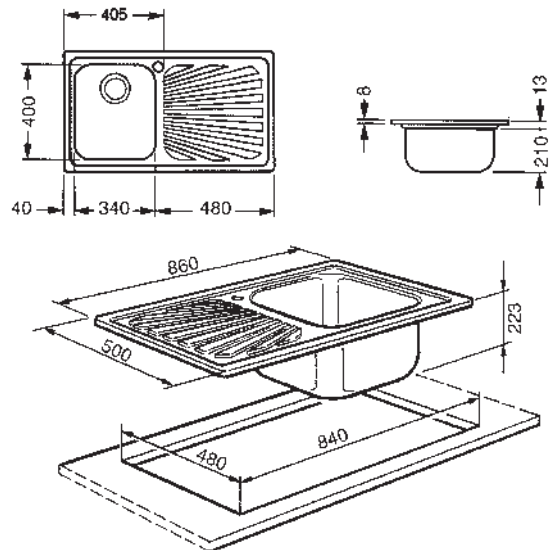
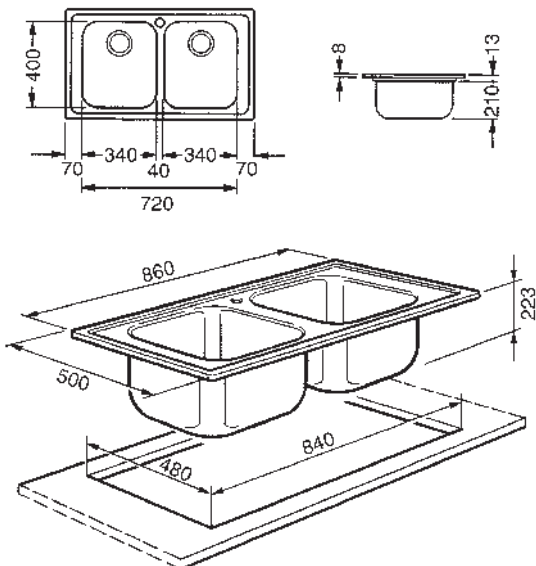


Minimum base unit: 45 cm  
 Traditional bowl  
 Radius corner left bowl: 80 mm  
 Strainer dimension left bowl: 3.5"  
 Traditional overflow  
 Standard sink  
 Right drainer  
 Drainer inclination: 2 °  
 Frame depth (mm): 13  
 Frame thickness: 0.7 mm  
 1 tap hole  
 Left bowl dimensions WxLxD (mm): 340 x 400 x 210

Accessories for installation: Strainer, Siphon with dishwasher outlet connection, Fixing clips, Gasket

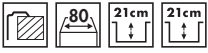
### ALSO AVAILABLE:

APM861S  
 Left drainer



## LM116D-2

LOW PROFILE SINK, NEUTRAL, STAINLESS STEEL



Minimum base unit: 80 cm  
 Traditional bowl  
 Radius corner right bowl: 80 mm  
 Strainer dimension right bowl: 3.5"  
 Traditional bowl  
 Radius corner left bowl: 80 mm  
 Strainer dimension left bowl: 3.5"  
 Traditional overflow  
 Low profile sink  
 Right drainer  
 Drainer inclination: 2 °  
 Frame depth (mm): 15  
 Frame thickness: 0.7 mm  
 1 tap hole  
 Right bowl dimensions WxLxD (mm): 340 x 400 x 210  
 Left bowl dimensions WxLxD (mm): 340 x 400 x 210

Accessories for installation: Strainer, Siphon with dishwasher outlet connection, Fixing clips, Gasket

### ALSO AVAILABLE:

LM116S-2  
 Left drainer

## LM102D-2

LOW PROFILE SINK, NEUTRAL, STAINLESS STEEL

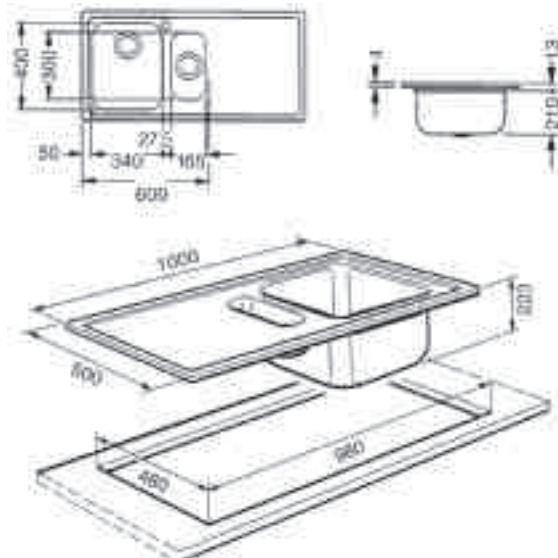
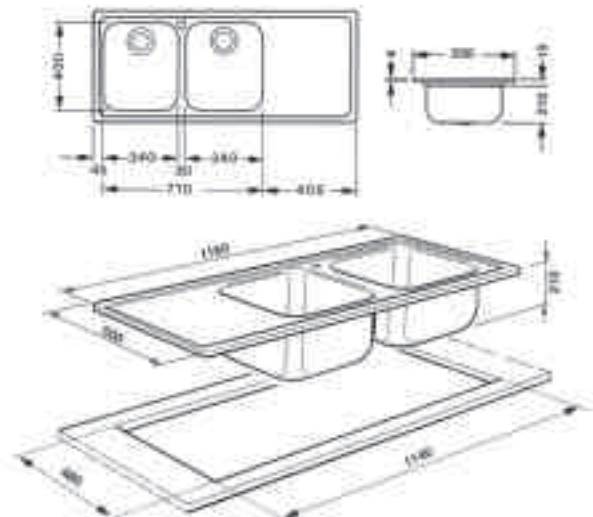


Minimum base unit: 60 cm  
 Half bowl  
 Radius corner right bowl: 80 mm  
 Strainer dimension right bowl: 3.5"  
 Traditional bowl  
 Radius corner left bowl: 80 mm  
 Strainer dimension left bowl: 3.5"  
 Traditional overflow  
 Low profile sink  
 Right drainer  
 Drainer inclination: 2 °  
 Frame depth (mm): 13  
 Frame thickness: 0.7 mm  
 1 tap hole  
 Right bowl dimensions WxLxD (mm): 165 x 300 x 130  
 Left bowl dimensions WxLxD (mm): 340 x 400 x 210

Accessories for installation: Strainer, Siphon with dishwasher outlet connection, Fixing clips, Gasket

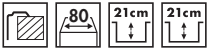
### ALSO AVAILABLE:

LM102S-2  
 Left drainer



## LM862-2

LOW PROFILE SINK, NEUTRAL, STAINLESS STEEL



Minimum base unit: 80 cm  
 Traditional bowl  
 Radius corner right bowl: 80 mm  
 Strainer dimension right bowl: 3.5"  
 Traditional overflow  
 Traditional bowl  
 Radius corner left bowl: 80 mm  
 Strainer dimension left bowl: 3.5"  
 Low profile sink  
 Frame depth (mm): 13  
 Frame thickness: 0.7 mm  
 1 tap hole  
 Right bowl dimensions WxLxD (mm): 340 x 400 x 210  
 Left bowl dimensions WxLxD (mm): 340 x 400 x 210

Accessories for installation: Strainer, Siphon with dishwasher outlet connection, Fixing clips, Gasket

## LM861D-2

LOW PROFILE SINK, NEUTRAL, STAINLESS STEEL



Minimum base unit: 45 cm  
 Traditional bowl  
 Radius corner left bowl: 80 mm  
 Strainer dimension left bowl: 3.5"  
 Traditional overflow  
 Low profile sink  
 Right drainer  
 Drainer inclination: 2°  
 Frame depth (mm): 13  
 Frame thickness: 0.7 mm  
 1 tap hole  
 Bowl dimensions WxLxD (mm): 340 x 400 x 210

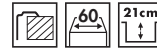
Accessories for installation: Strainer, Siphon with dishwasher outlet connection, Fixing clips, Gasket

### ALSO AVAILABLE:

LM861S-2  
 Left drainer

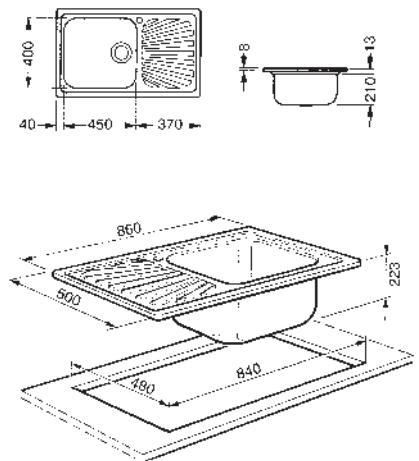
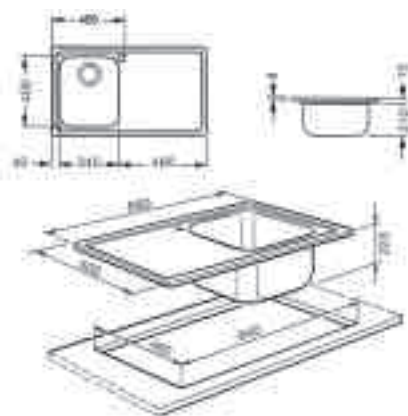
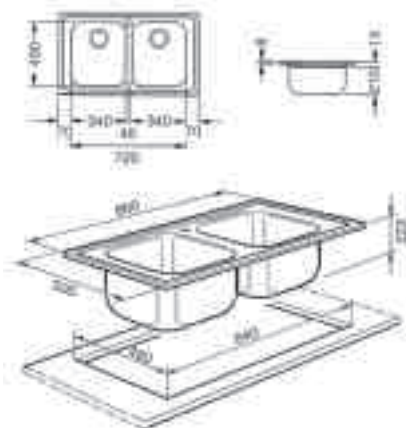
## LGMR861

LOW PROFILE SINK, NEUTRAL, STAINLESS STEEL



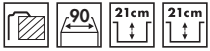
Minimum base unit: 60 cm  
 Single round pop-up command  
 Traditional bowl  
 Radius corner left bowl: 80 mm  
 Strainer dimension left bowl: 3.5"  
 Traditional overflow  
 Low profile sink  
 Reversible drainer  
 Drainer inclination: 2°  
 Frame depth (mm): 13  
 Frame thickness: 0.7 mm  
 Single pop-up command  
 2 tap holes  
 Bowl dimensions WxLxD (mm): 450 x 400 x 210

Accessories for installation: Strainer, Siphon with dishwasher outlet connection, Fixing clips, Gasket



## LGM862-2

LOW PROFILE SINK, NEUTRAL, STAINLESS STEEL

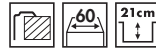


Minimum base unit: 90 cm  
 Traditional bowl  
 Radius corner right bowl: 80 mm  
 Strainer dimension right bowl: 3.5"  
 Traditional bowl  
 Radius corner left bowl: 80 mm  
 Strainer dimension left bowl: 3.5"  
 Traditional overflow  
 Low profile sink  
 Frame depth (mm): 13  
 Frame thickness: 0.7 mm  
 1 tap hole  
 Right bowl dimensions WxLxD (mm): 300 x 400 x 210  
 Left bowl dimensions WxLxD (mm): 450 x 400 x 210

Accessories for installation: Strainer, Siphon with dishwasher outlet connection, Fixing clips, Gasket

## LGM861D-2

LOW PROFILE SINK, NEUTRAL, STAINLESS STEEL

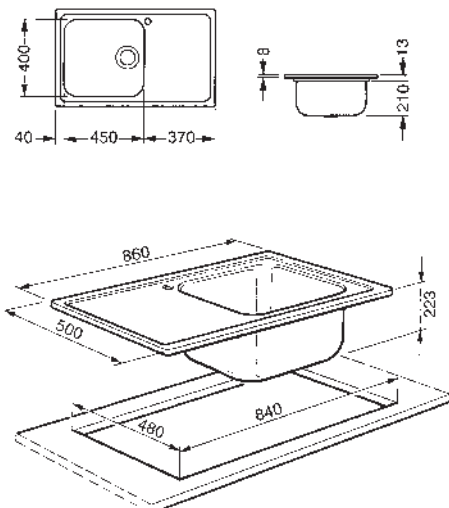
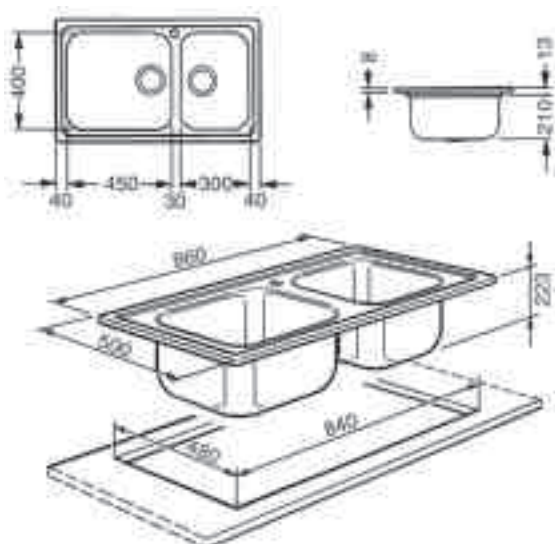


Minimum base unit: 60 cm  
 Traditional bowl  
 Radius corner left bowl: 80 mm  
 Strainer dimension left bowl: 3.5"  
 Traditional overflow  
 Low profile sink  
 Right drainer  
 Drainer inclination: 2 °  
 Frame depth (mm): 13  
 Frame thickness: 0.7 mm  
 1 tap hole  
 Bowl dimensions WxLxD (mm): 450 x 400 x 210

Accessories for installation: Strainer, Siphon with dishwasher outlet connection, Fixing clips, Gasket

### ALSO AVAILABLE:

LGM861S-2  
 Left drainer



## LGM116D-2

LOW PROFILE SINK, NEUTRAL, STAINLESS STEEL



Minimum base unit: 90 cm

Traditional bowl

Radius corner right bowl: 80 mm

Strainer dimension right bowl: 3.5"

Traditional bowl

Radius corner left bowl: 80 mm

Strainer dimension left bowl: 3.5"

Traditional overflow

Low profile sink

Right drainer

Drainer inclination: 2 °

Frame depth (mm): 13

Frame thickness: 0.7 mm

1 tap hole

Right bowl dimensions WxLxD (mm): 300 x 400 x 210

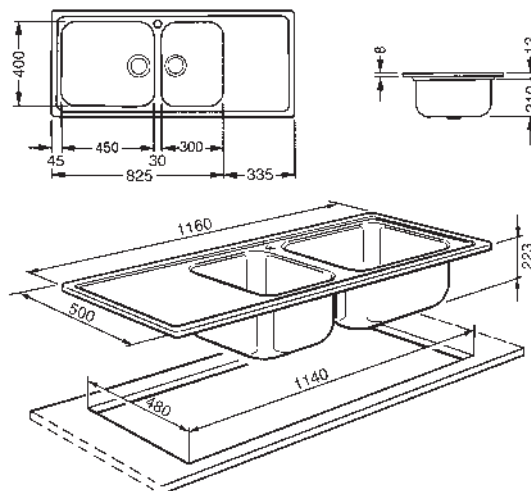
Left bowl dimensions WxLxD (mm): 450 x 400 x 210

Accessories for installation: Strainer, Siphon with dishwasher outlet connection, Fixing clips, Gasket

### ALSO AVAILABLE:

LGM116S-2

Left drainer







## SP791DOT

STANDARD SINK, NEUTRAL,  
STAINLESS STEEL BRASS PVD



Minimum base unit: 45 cm  
Traditional bowl  
Radius corner left bowl: 80 mm  
Strainer dimension left bowl: 3.5"  
Traditional overflow  
Standard sink  
Right drainer  
Drainer inclination: 2°  
Frame depth (mm): 13  
Frame thickness: 0.7 mm  
1 tap hole  
Left bowl dimensions WxLxD (mm): 340 x 400 x 210

Accessories for installation: Strainer, Siphon with dishwasher outlet connection, Fixing clips, Gasket

### ALSO AVAILABLE:

SP791DRA  
Stainless steel copper pvd  
SP791SRA  
Stainless steel copper pvd  
SP791SOT  
Stainless steel brass pvd

## SP7915DRA

STANDARD SINK, NEUTRAL,  
STAINLESS STEEL COPPER PVD



Minimum base unit: 60 cm  
Half bowl  
Radius corner right bowl: 80 mm  
Strainer dimension right bowl: 3.5"  
Traditional overflow  
Traditional bowl  
Radius corner left bowl: 80 mm  
Strainer dimension left bowl: 3.5"  
Traditional overflow  
Standard sink  
Right drainer  
Drainer inclination: 2°  
Frame depth (mm): 13  
Frame thickness: 0.7 mm  
1 tap hole  
Right bowl dimensions WxLxD (mm): 165 x 300 x 130  
Left bowl dimensions WxLxD (mm): 340 x 400 x 210

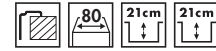
Accessories for installation: Strainer, Siphon with dishwasher outlet connection, Fixing clips, Gasket

### ALSO AVAILABLE:

SP7915DOT  
Stainless steel brass pvd  
SP7915S-2  
Left drainer  
SP7915SOT  
Stainless steel brass pvd

## SP792OT

STANDARD SINK, NEUTRAL,  
STAINLESS STEEL BRASS PVD

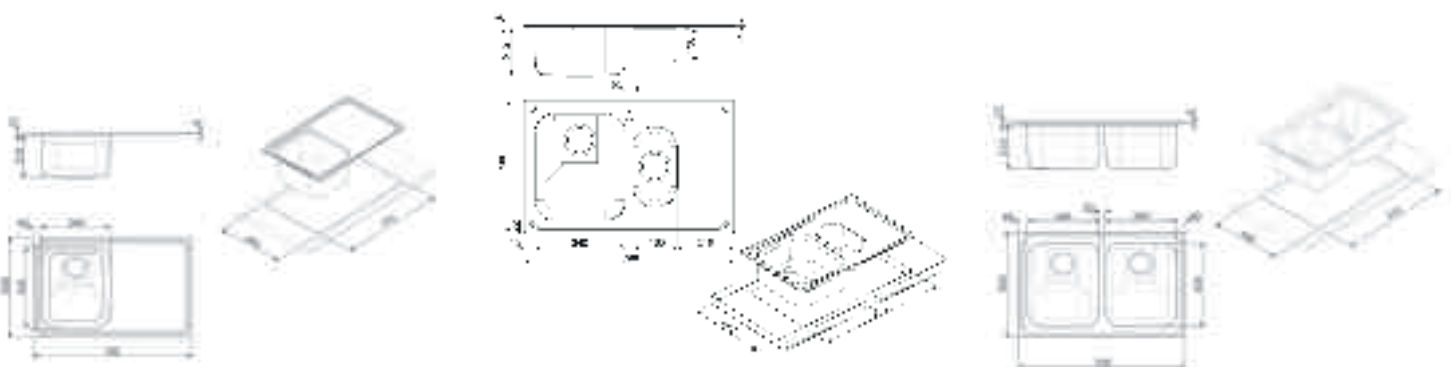


Minimum base unit: 80 cm  
Traditional bowl  
Radius corner right bowl: 80 mm  
Strainer dimension right bowl: 3.5"  
Traditional overflow  
Traditional bowl  
Radius corner left bowl: 80 mm  
Strainer dimension left bowl: 3.5"  
Standard sink  
Frame depth (mm): 13  
Frame thickness: 0.7 mm  
1 tap hole  
Right bowl dimensions WxLxD (mm): 340 x 400 x 210  
Left bowl dimensions WxLxD (mm): 340 x 400 x 210

Accessories for installation: Strainer, Siphon with dishwasher outlet connection, Fixing clips, Gasket

### ALSO AVAILABLE:

SP792RA  
Stainless steel copper pvd





### VS45-P3

STANDARD SINK, NEUTRAL, STAINLESS STEEL



Minimum base unit: 60 cm  
 Single round pop-up command  
 Traditional bowl  
 Radius corner: 80 mm  
 Strainer dimension: 3.5"  
 Traditional overflow  
 Standard sink  
 1 tap hole  
 Single pop-up command  
 Brushed stainless steel  
 Brushed aisi304 stainless steel  
 2 tap holes  
 Auxiliary bowl dimensions WxLxD (mm): 450 x 400 x 210

Accessories for installation: Strainer, Siphon with dishwasher outlet connection, Fixing clips, Gasket

### VS45P3OT

STANDARD SINK, NEUTRAL, STAINLESS STEEL BRASS PVD



Minimum base unit: 60 cm  
 Traditional bowl  
 Radius corner: 80 mm  
 Strainer dimension: 3.5"  
 Traditional overflow  
 Standard sink  
 1 tap hole  
 Auxiliary bowl dimensions WxLxD (mm): 450 x 400 x 210

Accessories for installation: Strainer, Siphon with dishwasher outlet connection, Fixing clips, Gasket

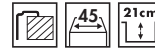
**ALSO AVAILABLE:**

VS45P3RA

Stainless steel copper pvd

### VS34P3OT

STANDARD SINK, NEUTRAL, STAINLESS STEEL BRASS PVD



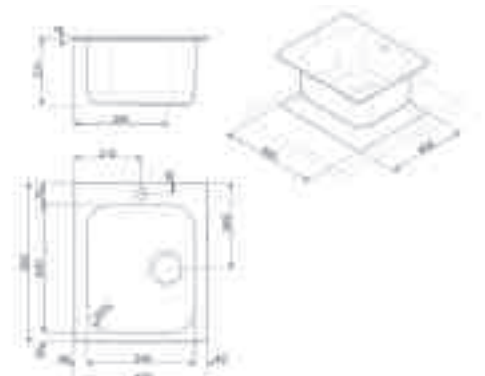
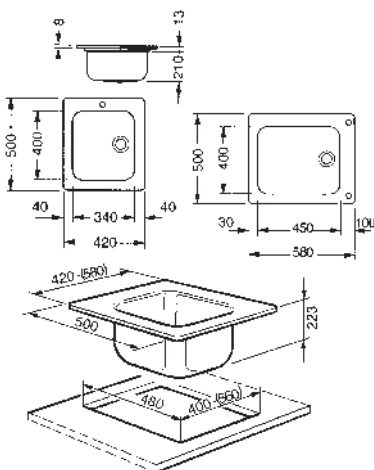
Minimum base unit: 45 cm  
 Traditional bowl  
 Radius corner: 80 mm  
 Strainer dimension: 3.5"  
 Flush fitted overflow  
 Standard sink  
 1 tap hole  
 Auxiliary bowl dimensions WxLxD (mm): 340 x 400 x 210

Accessories for installation: Strainer, Siphon with dishwasher outlet connection, Fixing clips, Gasket

**ALSO AVAILABLE:**

VS34P3RA

Stainless steel copper pvd



## VS50P3

STANDARD SINK, NEUTRAL, STAINLESS STEEL



Minimum base unit: 60 cm  
 Single round pop-up command  
 Traditional bowl  
 Radius corner: 80 mm  
 Strainer dimension: 3.5"  
 Traditional overflow  
 Standard sink  
 Single pop-up command  
 Brushed stainless steel  
 Brushed aisi304 stainless steel  
 2 tap holes  
 Auxiliary bowl dimensions WxLxD (mm):  
 500 x 400 x 200

Accessories for installation: Strainer, Siphon with dishwasher outlet connection, Fixing clips, Gasket

## 10I3POT

STANDARD SINK, NEUTRAL, STAINLESS STEEL BRASS PVD



Minimum base unit: 45 cm  
 Round bowl  
 Strainer dimension: 3.5"  
 Traditional overflow  
 Standard sink  
 Auxiliary bowl dimensions (mm): 375 diameter

Accessories for installation: Strainer, Fixing clips, Gasket

### ALSO AVAILABLE:

10I3PRA  
 Stainless steel copper pvd

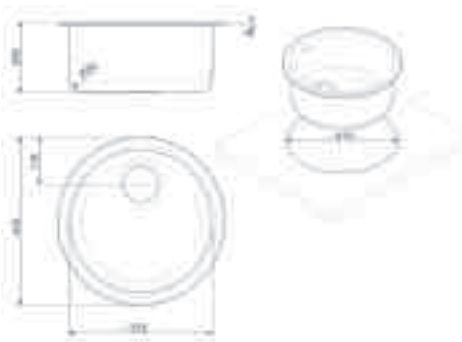
## UM103PRA

UNDERMOUNT SINK, NEUTRAL, STAINLESS STEEL COPPER PVD



Minimum base unit: 45 cm  
 Round bowl  
 Strainer dimension: 3.5"  
 Traditional overflow  
 Undermount sink  
 Auxiliary bowl dimensions (mm): 375 diameter

Accessories for installation: Strainer, Fixing clips



## UM45OT

UNDERMOUNT SINK, NEUTRAL,  
STAINLESS STEEL BRASS PVD



Minimum base unit: 45 cm  
Minimum radius  
Strainer dimension: 3.5"  
Traditional overflow  
Undermount sink  
Bowl dimensions WxLxD (mm): 450 x 400 x 180

Accessories for installation: Strainer, Fixing clips

### ALSO AVAILABLE:

UM45RA

Stainless steel copper pvd

## UM40RA

UNDERMOUNT SINK, NEUTRAL,  
STAINLESS STEEL COPPER PVD



Minimum base unit: 45 cm  
Traditional bowl  
Strainer dimension: 3.5"  
Traditional overflow  
Undermount sink

Accessories for installation: Strainer, Fixing clips

### ALSO AVAILABLE:

UM40OT

Stainless steel brass pvd



## UM340T

UNDERMOUNT SINK, NEUTRAL, STAINLESS STEEL,  
STAINLESS STEEL BRASS PVD



Minimum base unit: 45 cm  
Minimum radius  
Strainer dimension: 3.5"  
Traditional overflow  
Undermount sink  
Auxiliary bowl dimensions WxLxD (mm): 340 x 400 x 180

Accessories for installation: Strainer, Fixing clips

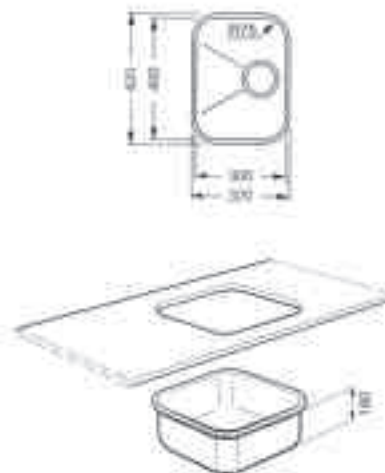
## UM30RA

UNDERMOUNT SINK, NEUTRAL, STAINLESS STEEL,  
STAINLESS STEEL COPPER PVD



Minimum base unit: 45 cm  
Minimum radius  
Strainer dimension: 3.5"  
Traditional overflow  
Undermount sink  
Bowl dimensions WxLxD (mm): 300 x 400 x 180

Accessories for installation: Strainer, Fixing clips



## UM50

UNDERMOUNT SINK, NEUTRAL, STAINLESS STEEL



Minimum base unit: 60 cm  
 Traditional bowl  
 Strainer dimension: 3.5"  
 Traditional overflow  
 Undermount sink  
 Brushed stainless steel  
 Brushed aisi304 stainless steel  
 Bowl dimensions WxLxD (mm): 500 x 400 x 200

Accessories for installation: Strainer, Fixing clips

## UM45

UNDERMOUNT SINK, NEUTRAL, STAINLESS STEEL

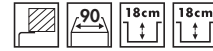


Minimum base unit: 60 cm  
 Traditional bowl  
 Strainer dimension: 3.5"  
 Traditional overflow  
 Undermount sink  
 Brushed stainless steel  
 Brushed aisi304 stainless steel  
 Auxiliary bowl dimensions WxLxD (mm): 450 x 400 x 180

Accessories for installation: Strainer, Fixing clips

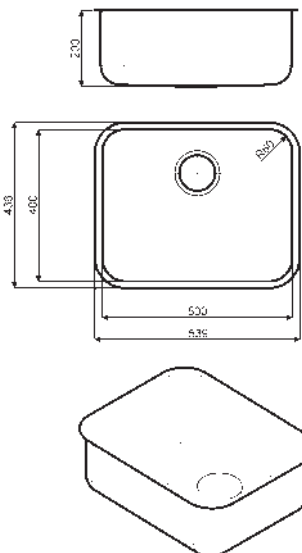
## UM4545

UNDERMOUNT SINK, NEUTRAL, STAINLESS STEEL



Minimum base unit: 90 cm  
 Traditional bowl  
 Radius corner right bowl: 80 mm  
 Strainer dimension right bowl: 3.5"  
 Traditional overflow  
 Traditional bowl  
 Radius corner left bowl: 80 mm  
 Strainer dimension left bowl: 3.5"  
 Traditional overflow  
 Undermount sink  
 Frame thickness: 1 mm  
 Brushed stainless steel  
 Brushed aisi304 stainless steel  
 Right bowl dimensions WxLxD (mm): 450 x 400 x 180  
 Left bowl dimensions WxLxD (mm): 450 x 400 x 180

Accessories for installation: Strainer, Siphon with dishwasher outlet connection, Fixing clips

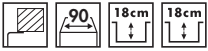






## UM4545

UNDERMOUNT SINK, NEUTRAL, STAINLESS STEEL

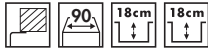


Minimum base unit: 90 cm  
 Traditional bowl  
 Radius corner right bowl: 80 mm  
 Strainer dimension right bowl: 3.5"  
 Traditional overflow  
 Traditional bowl  
 Radius corner left bowl: 80 mm  
 Strainer dimension left bowl: 3.5"  
 Traditional overflow  
 Undermount sink  
 Frame thickness: 1 mm  
 Brushed stainless steel  
 Brushed aisi304 stainless steel  
 Right bowl dimensions WxLxD (mm): 450 x 400 x 180  
 Left bowl dimensions WxLxD (mm): 450 x 400 x 180

Accessories for installation: Strainer, Siphon with dishwasher outlet connection, Fixing clips

## UM4530

UNDERMOUNT SINK, NEUTRAL, STAINLESS STEEL

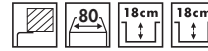


Minimum base unit: 90 cm  
 Traditional bowl  
 Radius corner right bowl: 80 mm  
 Strainer dimension right bowl: 3.5"  
 Traditional overflow  
 Traditional bowl  
 Radius corner left bowl: 80 mm  
 Strainer dimension left bowl: 3.5"  
 Undermount sink  
 Frame thickness: 1 mm  
 Brushed stainless steel  
 Brushed aisi304 stainless steel  
 Right bowl dimensions WxLxD (mm): 300 x 400 x 180  
 Left bowl dimensions WxLxD (mm): 450 x 400 x 180

Accessories for installation: Strainer, Siphon with dishwasher outlet connection, Fixing clips

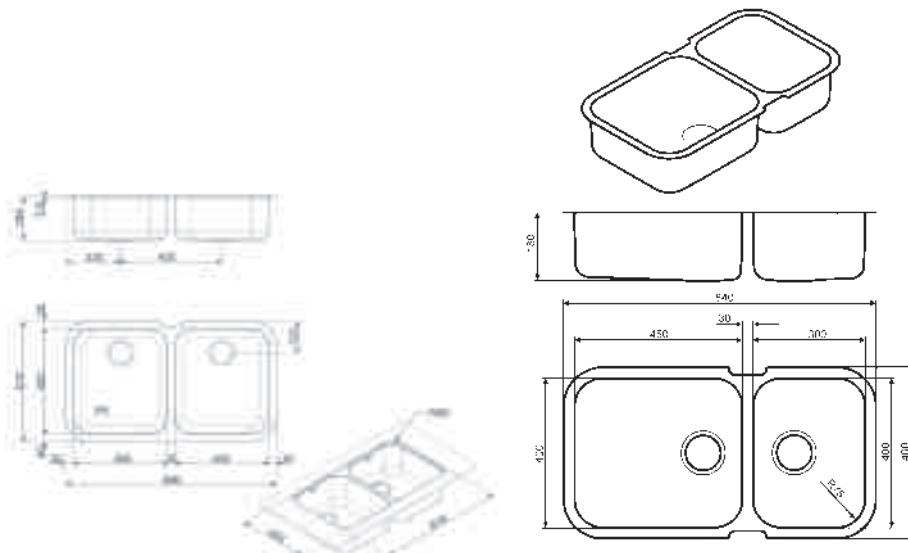
## UM3434

UNDERMOUNT SINK, NEUTRAL, STAINLESS STEEL



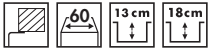
Minimum base unit: 80 cm  
 Traditional bowl  
 Radius corner right bowl: 80 mm  
 Strainer dimension right bowl: 3.5"  
 Traditional overflow  
 Traditional bowl  
 Radius corner left bowl: 80 mm  
 Strainer dimension left bowl: 3.5"  
 Undermount sink  
 Frame thickness: 1 mm  
 Brushed stainless steel  
 Brushed aisi304 stainless steel  
 Right bowl dimensions WxLxD (mm): 340 x 400 x 180  
 Left bowl dimensions WxLxD (mm): 300 x 400 x 180

Accessories for installation: Strainer, Siphon with dishwasher outlet connection, Fixing clips



## UM3416-1

UNDERMOUNT SINK, NEUTRAL, STAINLESS STEEL



Minimum base unit: 60 cm  
 Half bowl  
 Radius corner right bowl: 80 mm  
 Strainer dimension right bowl: 3.5"  
 Traditional bowl  
 Radius corner left bowl: 80 mm  
 Strainer dimension left bowl: 3.5"  
 Traditional overflow  
 Undermount sink  
 Frame thickness: 1 mm  
 Brushed stainless steel  
 Brushed aisi304 stainless steel  
 Right bowl dimensions WxLxD (mm): 165 x 300 x 130  
 Left bowl dimensions WxLxD (mm): 340 x 400 x 180

Accessories for installation: Strainer, Siphon with dishwasher outlet connection, Fixing clips

## UM3415

UNDERMOUNT SINK, NEUTRAL, STAINLESS STEEL

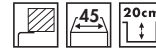


Minimum base unit: 60 cm  
 Half bowl  
 Radius corner right bowl: 50 mm  
 Strainer dimension right bowl: 3.5"  
 Traditional bowl  
 Radius corner left bowl: 80 mm  
 Strainer dimension left bowl: 3.5"  
 Traditional overflow  
 Undermount sink  
 Frame thickness: 1 mm  
 Brushed stainless steel  
 Brushed aisi304 stainless steel  
 Right bowl dimensions WxLxD (mm): 147 x 296 x 150  
 Left bowl dimensions WxLxD (mm): 340 x 400 x 180

Accessories for installation: Strainer, Siphon with dishwasher outlet connection, Fixing clips

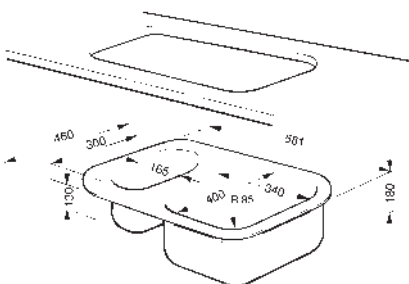
## UM103P

UNDERMOUNT SINK, NEUTRAL, STAINLESS STEEL



Minimum base unit: 45 cm  
 Round bowl  
 Strainer dimension: 3.5"  
 Traditional overflow  
 Undermount sink  
 Brushed stainless steel  
 Brushed aisi304 stainless steel  
 Bowl dimensions (mm): 375 diameter

Accessories for installation: Strainer, Fixing clips



## UM40

UNDERMOUNT SINK, NEUTRAL, STAINLESS STEEL



Minimum base unit: 45 cm  
Minimum radius  
Strainer dimension: 3.5"  
Traditional overflow  
Undermount sink  
Brushed stainless steel  
Brushed aisi304 stainless steel  
Bowl dimensions WxLxD (mm): 340 x 400 x 180

Accessories for installation: Strainer, Fixing clips

## UM34

UNDERMOUNT SINK, NEUTRAL, STAINLESS STEEL

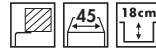


Minimum base unit: 45 cm  
Minimum radius  
Strainer dimension: 3.5"  
Traditional overflow  
Undermount sink  
Brushed stainless steel  
Brushed aisi304 stainless steel  
Auxiliary bowl dimensions WxLxD (mm): 340 x 400 x 180

Accessories for installation: Strainer, Fixing clips

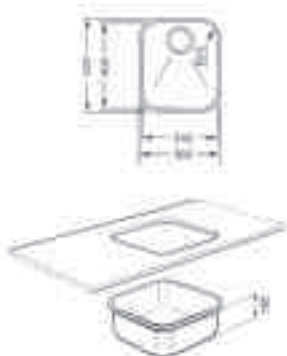
## UM30

UNDERMOUNT SINK, NEUTRAL, STAINLESS STEEL



Minimum base unit: 45 cm  
Traditional bowl  
Strainer dimension: 3.5"  
Traditional overflow  
Undermount sink  
Brushed stainless steel  
Brushed aisi304 stainless steel  
Auxiliary bowl dimensions WxLxD (mm): 300 x 400 x 180

Accessories for installation: Strainer, Fixing clips



## UM15

UNDERMOUNT SINK, NEUTRAL, STAINLESS STEEL



Minimum base unit 30 cm  
Half bowl  
Radius corner: 50 mm  
Strainer dimension: 3.5"  
Undermount sink  
Brushed stainless steel  
Brushed aisi304 stainless steel  
Bowl dimensions WxLxD (mm): 147 x 296 x 150

Accessories for installation: Strainer, Fixing clips

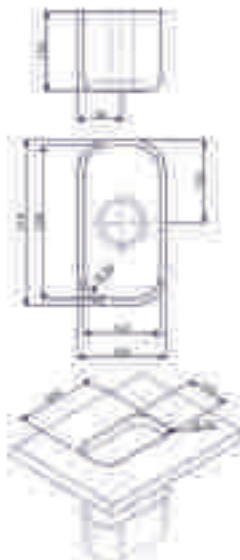
## UM16

UNDERMOUNT SINK, NEUTRAL, STAINLESS STEEL



Minimum base unit: 45 cm  
Half bowl  
Radius corner: 80 mm  
Strainer dimension: 3.5"  
Undermount sink  
Brushed stainless steel  
Brushed aisi304 stainless steel  
Bowl dimensions WxLxD (mm): 165 x 300 x 135

Accessories for installation: Strainer, Fixing clips



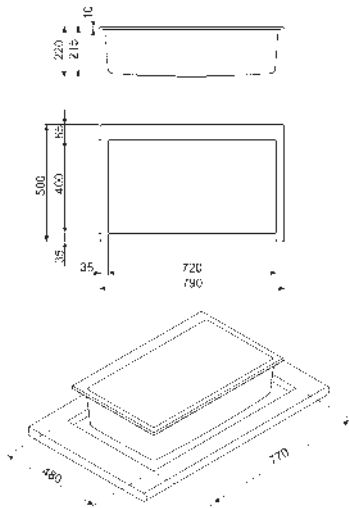
### VZ79AV

STANDARD SINK, QUADRA,  
OATS



Minimum base unit: 80 cm  
Squared bowl  
Strainer dimension: 3.5"  
Traditional overflow  
Standard sink  
1 tap hole  
Auxiliary bowl dimensions WxLxD (mm): 720 x 400 x 210

Accessories for installation: Strainer, Siphon with dishwasher outlet connection, Fixing clips



### VZ79B

STANDARD SINK, QUADRA,  
WHITE



### VZ79CT

STANDARD SINK, QUADRA,  
CONCRETE



### VZ79P

STANDARD SINK, QUADRA,  
CREAM



### VZ79N

STANDARD SINK, QUADRA,  
BLACK



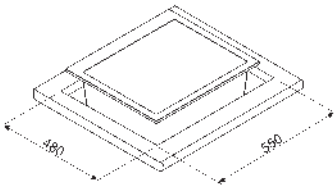
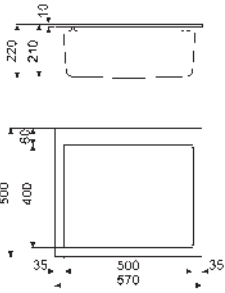
### VZ57AV

STANDARD SINK, QUADRA,  
OATS



Minimum base unit: 60 cm  
Squared bowl  
Strainer dimension: 3.5"  
Traditional overflow  
Standard sink  
1 tap hole  
Auxiliary bowl dimensions WxLxD (mm): 500 x 400 x 210

Accessories for installation: Strainer, Siphon with dishwasher outlet connection, Fixing clips



### VZ57P

STANDARD SINK, QUADRA,  
CREAM



### VZ57B

STANDARD SINK, QUADRA,  
WHITE



### VZ57CT

STANDARD SINK, QUADRA,  
CONCRETE



### VZ57N

STANDARD SINK, QUADRA,  
BLACK



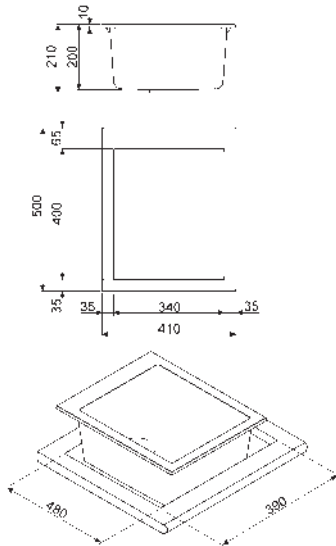
### VZ40AV

STANDARD SINK, QUADRA,  
OATS



Minimum base unit: 45 cm  
Squared bowl  
Strainer dimension: 3.5"  
Traditional overflow  
Standard sink  
1 tap hole  
Auxiliary bowl dimensions WxLxD (mm): 340 x 400 x 210

Accessories for installation: Strainer, Siphon with dishwasher outlet connection, Fixing clips



### VZ40P

STANDARD SINK, QUADRA,  
CREAM



### VZ40B

STANDARD SINK, QUADRA,  
WHITE



### VZ40CT

STANDARD SINK, QUADRA,  
CONCRETE



### VZ40N

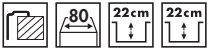
STANDARD SINK, QUADRA,  
BLACK





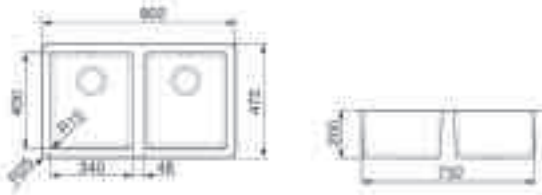
### VZ3434AV

STANDARD SINK, QUADRA,  
OATS



Minimum base unit: 80 cm  
Squared bowl  
Strainer dimension right bowl: 3.5"  
Squared bowl  
Strainer dimension left bowl: 3.5"  
Traditional overflow  
Standard sink  
Frame depth (mm): 10  
1 tap hole  
Right bowl dimensions WxLxD (mm): 343 x 395 x 220  
Left bowl dimensions WxLxD (mm): 343 x 395 x 220

Accessories for installation: Strainer, Siphon with dishwasher outlet connection, Fixing clips



### VZ3434P

STANDARD SINK, QUADRA,  
CREAM



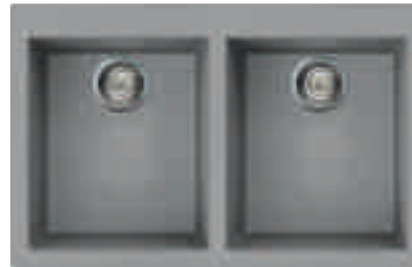
### VZ3434B

STANDARD SINK, QUADRA,  
WHITE



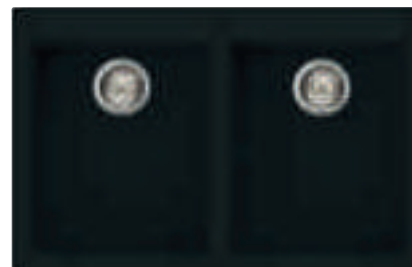
### VZ3434CT

STANDARD SINK, QUADRA,  
CONCRETE



### VZ3434N

STANDARD SINK, QUADRA,  
BLACK



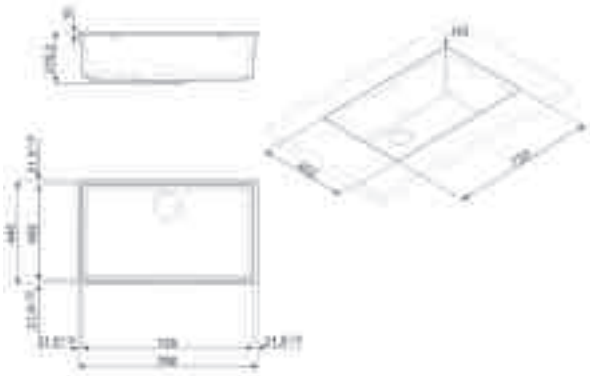
### VZUM79AV

UNDERMOUNT SINK, QUADRA,  
OATS



Minimum base unit: 80 cm  
Squared bowl  
Strainer dimension: 3.5"  
Traditional overflow  
Undermount sink  
Auxiliary bowl dimensions WxLxD (mm): 720 x 400 x 210

Accessories for installation: Strainer, Fixing clips



### VZUM79P

UNDERMOUNT SINK, QUADRA,  
CREAM



### VZUM79B

UNDERMOUNT SINK, QUADRA,  
WHITE



### VZUM79CT

UNDERMOUNT SINK, QUADRA,  
CONCRETE



### VZUM79N

UNDERMOUNT SINK, QUADRA,  
BLACK



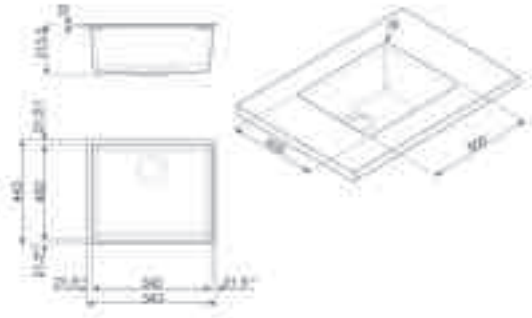
### VZUM57AV

UNDERMOUNT SINK, QUADRA,  
OATS



Minimum base unit: 60 cm  
Squared bowl  
Strainer dimension: 3.5"  
Traditional overflow  
Undermount sink  
Auxiliary bowl dimensions WxLxD (mm): 500 x 400 x 210

Accessories for installation: Strainer, Fixing clips



### VZUM57B

UNDERMOUNT SINK, QUADRA,  
WHITE



### VZUM57N

UNDERMOUNT SINK, QUADRA,  
BLACK



### VZUM57P

UNDERMOUNT SINK, QUADRA,  
CREAM



### VZUM40AV

UNDERMOUNT SINK, QUADRA,  
OATS



Minimum base unit: 45 cm  
Squared bowl  
Strainer dimension: 3.5"  
Traditional overflow  
Undermount sink  
Auxiliary bowl dimensions WxLxD (mm): 340 x 400 x 210

Accessories for installation: Strainer, Fixing clips

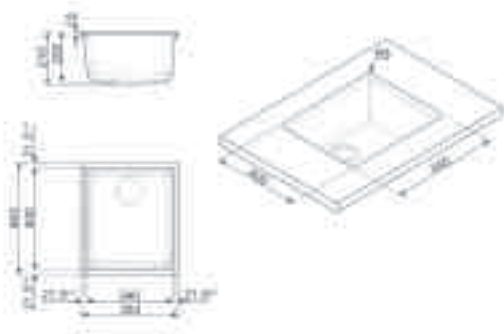
### VZUM40B

UNDERMOUNT SINK, QUADRA,  
WHITE



### VZUM40CT

UNDERMOUNT SINK, QUADRA,  
CONCRETE



### VZUM40P

UNDERMOUNT SINK, QUADRA,  
CREAM



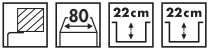
### VZUM40N

UNDERMOUNT SINK, QUADRA,  
BLACK



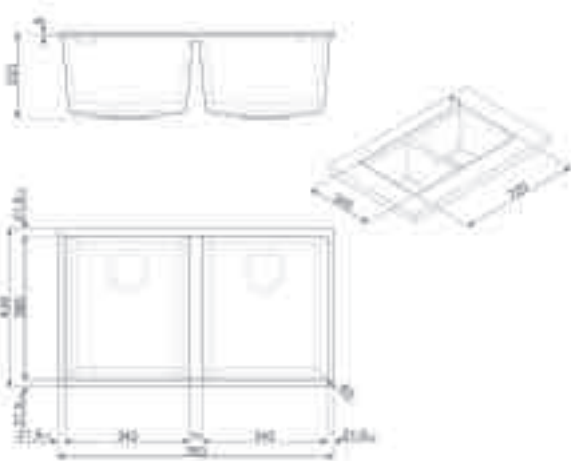
### VZUM3434AV

UNDERMOUNT SINK, QUADRA,  
OATS



Minimum base unit: 80 cm  
Squared bowl  
Strainer dimension right bowl: 3.5"  
Squared bowl  
Strainer dimension left bowl: 3.5"  
Traditional overflow  
Undermount sink  
Frame depth (mm): 14  
Right bowl dimensions WxLxD (mm): 343 x 395 x 220  
Left bowl dimensions WxLxD (mm): 343 x 395 x 220

Accessories for installation: Strainer, Siphon with dishwasher outlet connection, Fixing clips



### VZUM3434P

UNDERMOUNT SINK, QUADRA,  
CREAM



### VZUM3434B

UNDERMOUNT SINK, QUADRA,  
WHITE



### VZUM3434CT

UNDERMOUNT SINK, QUADRA,  
CONCRETE



### VZUM3434N

UNDERMOUNT SINK, QUADRA,  
BLACK



## LZ830A2

STANDARD SINK, QUADRA,  
ANTHRACITE



Traditional bowl  
Radius corner right bowl: 10 mm  
Strainer dimension right bowl: 3.5"  
Traditional bowl  
Radius corner left bowl: 10 mm  
Strainer dimension left bowl: 3.5"  
Traditional overflow  
Standard sink  
Right drainer  
Drainer inclination: 2 °  
Frame depth (mm): 10  
2 tap holes  
Right bowl dimensions WxLxD (mm): 325 x 430 x 215  
Left bowl dimensions WxLxD (mm): 430 x 390 x 245

Accessories for installation: Strainer, Siphon with dishwasher outlet connection, Fixing clips

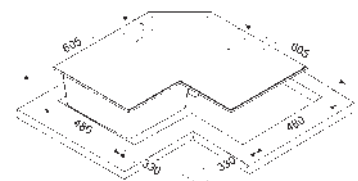
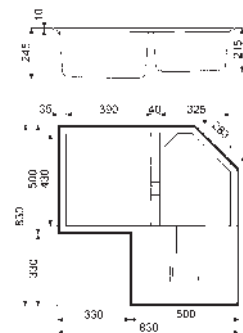
## LZ830AV

STANDARD SINK, QUADRA,  
OATS



## LZ830B

STANDARD SINK, QUADRA,  
WHITE



## LSEQ861A

STANDARD SINK, QUADRA,  
ANTHRACITE



Minimum base unit: 60 cm  
Squared single pop-up command  
Squared bowl  
Strainer dimension left bowl: 3.5"  
Traditional overflow  
Standard sink  
Reversible drainer  
Drainer inclination: 2 °  
Frame depth (mm): 5  
Single pop-up command  
1 tap hole

Accessories for installation: Strainer, Siphon with dishwasher outlet connection, Fixing clips

## LSEQ861AV

STANDARD SINK, QUADRA,  
OATS



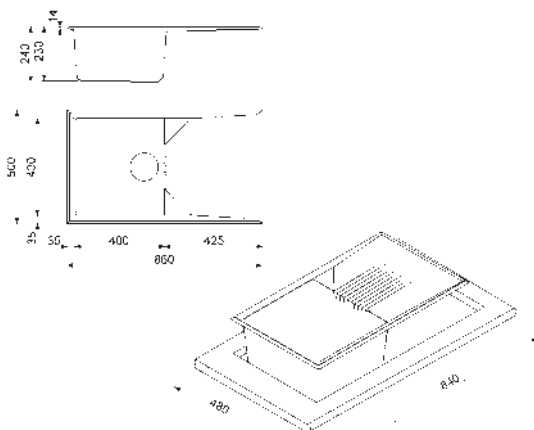
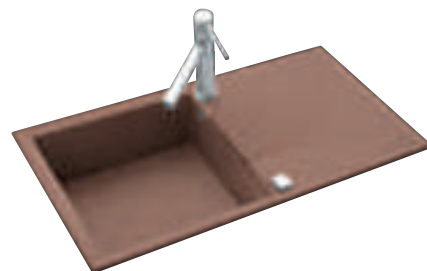
## LSEQ861P

STANDARD SINK, QUADRA,  
CREAM



## LSEQ861RA

STANDARD SINK, QUADRA,  
COPPER



## LSEG860A-2

STANDARD SINK, CLASSICA,  
ANTHRACITE



Minimum base unit: 90 cm  
Single round pop-up command  
Traditional bowl  
Radius corner right bowl: 50 mm  
Strainer dimension right bowl: 3.5"  
Traditional overflow  
Standard sink  
Frame depth (mm): 5  
Single pop-up command  
2 tap holes  
Right bowl dimensions WxLxD (mm): 780 x 370 x 235

Accessories for installation: Strainer, Siphon with dishwasher outlet connection, Fixing clips

**ALSO AVAILABLE:**

LSEG860AV-2

Oats

LSEG860P-2

Cream

## LSE862A-2

STANDARD SINK, CLASSICA,  
ANTHRACITE



Minimum base unit: 90 cm  
Single round pop-up command  
Traditional bowl  
Radius corner right bowl: 50 mm  
Strainer dimension right bowl: 3.5"  
Traditional overflow  
Traditional bowl  
Radius corner left bowl: 50 mm  
Strainer dimension left bowl: 3.5"  
Standard sink  
Frame depth (mm): 5  
Single pop-up command  
2 tap holes  
Right bowl dimensions WxLxD (mm): 380 x 420 x 214  
Left bowl dimensions WxLxD (mm): 380 x 420 x 214

Accessories for installation: Strainer, Siphon with dishwasher outlet connection, Fixing clips

**ALSO AVAILABLE:**

LSE862AV-2

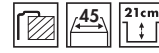
Oats

LSE862P-2

Cream

## LSE861A

STANDARD SINK, CLASSICA,  
ANTHRACITE



Minimum base unit: 45 cm  
Single round pop-up command  
Minimum radius  
Radius corner left bowl: 15 mm  
Strainer dimension left bowl: 3.5"  
Traditional overflow  
Standard sink  
Reversible drainer  
Drainer inclination: 2°  
Frame depth (mm): 5  
Single pop-up command  
1 tap hole

Accessories for installation: Strainer, Siphon with dishwasher outlet connection, Fixing clips

**ALSO AVAILABLE:**

LSE861AV

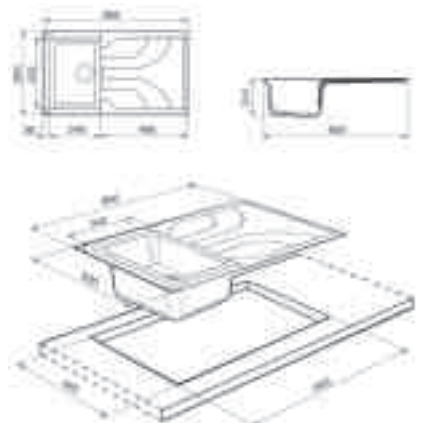
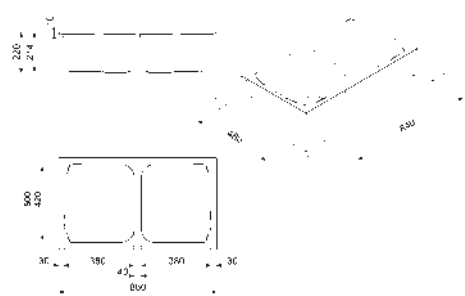
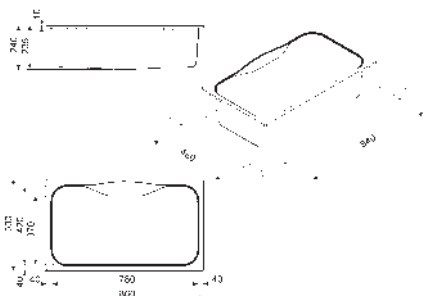
Oats

LSE861P

Cream

LSE861RA

Copper

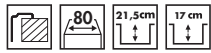






## LSE1015A-2

STANDARD SINK, CLASSICA,  
ANTHRACITE



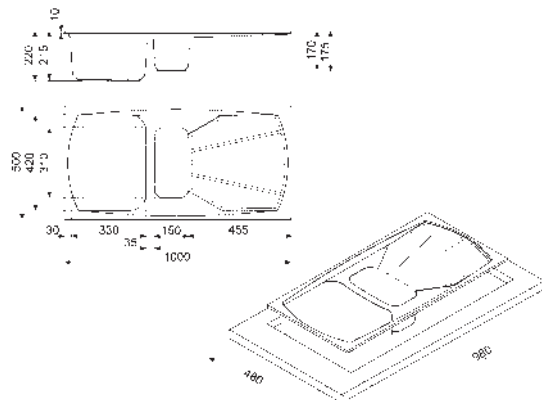
Minimum base unit: 80 cm  
Single round pop-up command  
Traditional bowl  
Radius corner right bowl: 50 mm  
Strainer dimension right bowl: 3.5"  
Traditional overflow  
Half bowl  
Radius corner left bowl: 50 mm  
Strainer dimension left bowl: 3.5"  
Standard sink  
Reversible drainer  
Drainer inclination: 2 °  
Frame depth (mm): 5  
Single pop-up command  
2 tap holes  
Right bowl dimensions WxLxD (mm): 330 x 420 x 210  
Left bowl dimensions WxLxD (mm): 150 x 310 x 170

Accessories for installation: Strainer, Siphon with dishwasher outlet connection, Fixing clips

### ALSO AVAILABLE

LSE1015P-2

Cream



## LSE791A-2

STANDARD SINK, CLASSICA,  
ANTHRACITE



Minimum base unit: 45 cm  
Single round pop-up command  
Traditional bowl  
Radius corner left bowl: 50 mm  
Strainer dimension left bowl: 3.5"  
Traditional overflow  
Standard sink  
Reversible drainer  
Drainer inclination: 2 °  
Frame depth (mm): 5  
Single pop-up command  
1 tap hole  
Left bowl dimensions WxLxD (mm): 330 x 420 x 210

Accessories for installation: Strainer, Siphon with dishwasher outlet connection, Fixing clips

### ALSO AVAILABLE:

LSE791AV-2

Oats

LSE791P-2

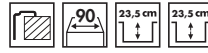
Cream

LSE791RA-2

Copper

## LSE802A-2

STANDARD SINK, CLASSICA,  
ANTHRACITE



Minimum base unit: 90 cm  
Single round pop-up command  
Traditional bowl  
Radius corner right bowl: 50 mm  
Strainer dimension right bowl: 3.5"  
Traditional overflow  
Traditional bowl  
Radius corner left bowl: 50 mm  
Strainer dimension left bowl: 3.5"  
Traditional overflow  
Standard sink  
Single pop-up command  
2 tap holes  
Right bowl dimensions WxLxD (mm): 347 x 420 x 235  
Left bowl dimensions WxLxD (mm): 347 x 420 x 235

Accessories for installation: Strainer, Siphon with dishwasher outlet connection, Fixing clips

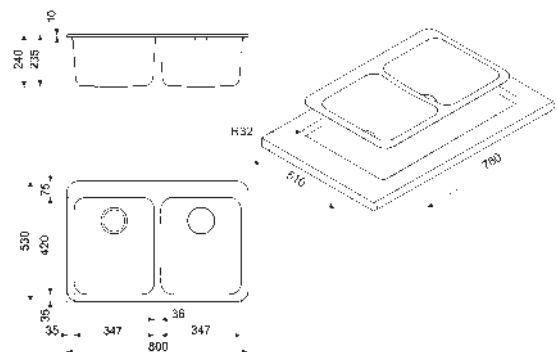
### ALSO AVAILABLE:

LSE802AV-2

Oats

LSE802P-2

Cream



## LSE58A

STANDARD SINK, CLASSICA,  
ANTHRACITE



Minimum base unit: 60 cm  
Traditional bowl  
Radius corner: 80 mm  
Strainer dimension: 3.5"  
Traditional overflow  
Standard sink  
1 tap hole

Accessories for installation: Strainer, Siphon with dishwasher outlet connection, Fixing clips

### ALSO AVAILABLE:

LSE58AV

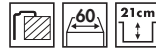
Oats

LSE58P

Cream

## LSE48A2

STANDARD SINK, NEUTRAL,  
BLACK



Minimum base unit: 60 cm  
Round bowl  
Strainer dimension: 3.5"  
Traditional overflow  
Standard sink  
1 tap hole  
Auxiliary bowl dimensions (mm): 400 diameter

Accessories for installation: Strainer, Siphon with dishwasher outlet connection, Fixing clips

### ALSO AVAILABLE:

LSE48AV

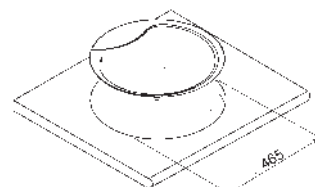
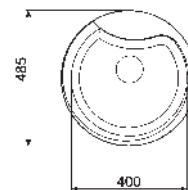
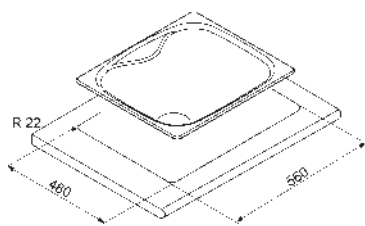
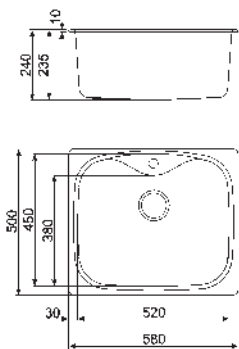
Oats

LSE48P

Cream

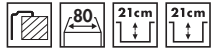
LSE48RA

Copper



## LZ116A2

STANDARD SINK, RIGAE,  
ANTHRACITE



Minimum base unit: 80 cm  
Traditional bowl  
Radius corner right bowl: 80 mm  
Strainer dimension right bowl: 3.5"  
Traditional overflow  
Traditional bowl  
Radius corner left bowl: 80 mm  
Strainer dimension left bowl: 3.5"  
Standard sink  
Reversible drainer  
Drainer inclination: 2 °  
Frame depth (mm): 10  
2 tap holes  
Right bowl dimensions WxLxD (mm): 330 x 420 x 210  
Left bowl dimensions WxLxD (mm): 330 x 420 x 210

Accessories for installation: Strainer, Siphon with dishwasher outlet connection, Fixing clips

### ALSO AVAILABLE

LZ116AV

Oats

LZ116B

White

LZ116CT

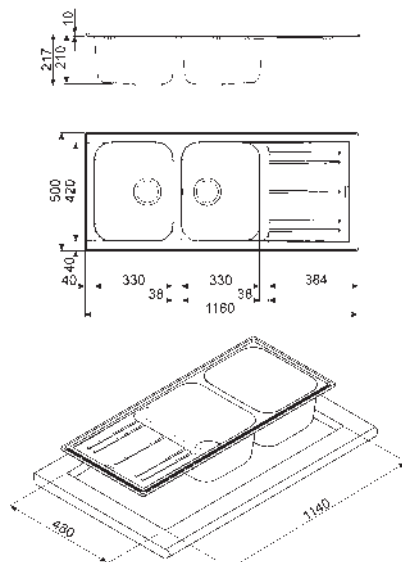
Concrete

LZ116P

Cream

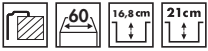
LZ116RA

Copper



## LZ102A2

STANDARD SINK, RIGAE,  
ANTHRACITE



Minimum base unit: 60 cm  
Half bowl  
Radius corner right bowl: 50 mm  
Strainer dimension right bowl: 3.5"  
Traditional bowl  
Radius corner left bowl: 80 mm  
Strainer dimension left bowl: 3.5"  
Traditional overflow  
Standard sink  
Reversible drainer  
Drainer inclination: 2 °  
Frame depth (mm): 10  
2 tap holes  
Right bowl dimensions WxLxD (mm): 150 x 340 x 168  
Left bowl dimensions WxLxD (mm): 420 x 320 x 210

Accessories for installation: Strainer, Siphon with dishwasher outlet connection, Fixing clips

### ALSO AVAILABLE:

LZ102AV

Oats

LZ102B

White

LZ102CT

Concrete

LZ102P

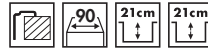
Cream

LZ102RA

Copper

## LZ862A2

STANDARD SINK, RIGAE,  
ANTHRACITE



Minimum base unit: 90 cm  
Traditional bowl  
Radius corner right bowl: 80 mm  
Strainer dimension right bowl: 3.5"  
Traditional overflow  
Traditional bowl  
Radius corner left bowl: 80 mm  
Strainer dimension left bowl: 3.5"  
Standard sink  
Frame depth (mm): 10  
2 tap holes  
Right bowl dimensions WxLxD (mm): 371 x 420 x 210  
Left bowl dimensions WxLxD (mm): 371 x 420 x 210

Accessories for installation: Strainer, Siphon with dishwasher outlet connection, Fixing clips

### LZ862AV

Coats

LZ862B

White

LZ862P

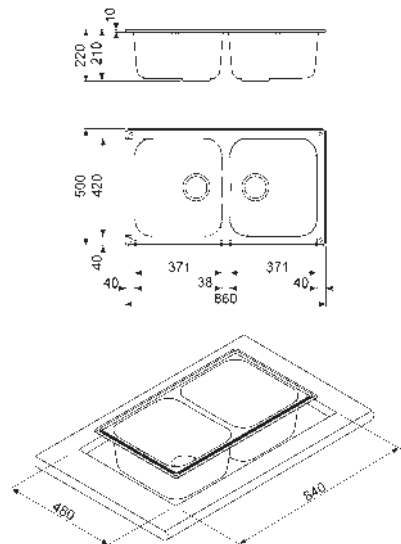
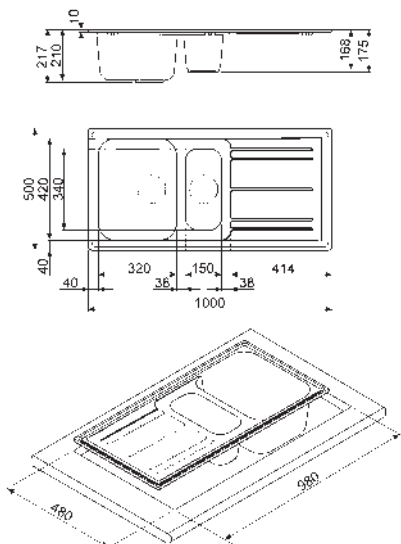
Cream

LZ862CT

Concrete

LZ862RA

Copper



## LZ791A2

STANDARD SINK, RIGAE,  
ANTHRACITE



Minimum base unit: 45 cm  
Traditional bowl  
Radius corner left bowl: 80 mm  
Strainer dimension left bowl: 3.5"  
Traditional overflow  
Standard sink  
Reversible drainer  
Drainer inclination: 2 °  
Frame depth (mm): 10  
2 tap holes  
Left bowl dimensions WxLxD (mm): 330 x 420 x 210

Accessories for installation: Strainer, Siphon with dishwasher outlet connection, Fixing clips

### ALSO AVAILABLE:

LZ791AV

Oats

LZ791B

White

LZ791CT

Concrete

LZ791P

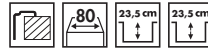
Cream

LZ791RA

Copper

## LZ792A2

STANDARD SINK, RIGAE,  
ANTHRACITE



Minimum base unit: 80 cm  
Traditional bowl  
Radius corner right bowl: 80 mm  
Strainer dimension right bowl: 3.5"  
Traditional overflow  
Traditional bowl  
Radius corner left bowl: 80 mm  
Strainer dimension left bowl: 3.5"  
Standard sink  
Frame depth (mm): 10  
2 tap holes  
Right bowl dimensions WxLxD (mm): 340 x 430 x 235  
Left bowl dimensions WxLxD (mm): 340 x 430 x 235

Accessories for installation: Strainer, Siphon with dishwasher outlet connection, Fixing clips

### ALSO AVAILABLE:

LZ792AV

Oats

LZ792B

White

LZ792CT

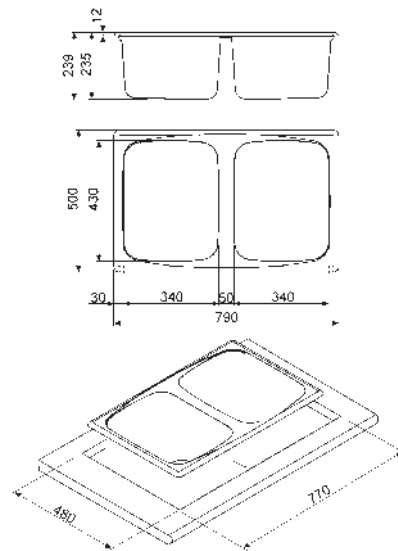
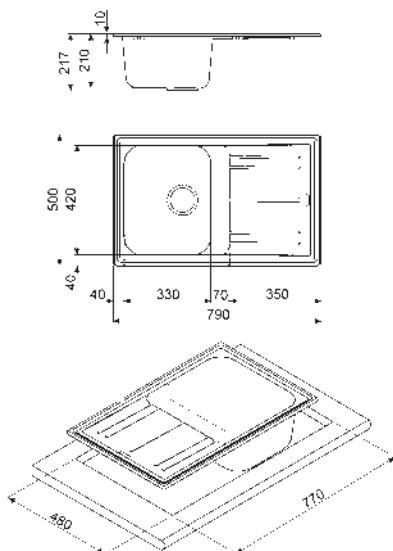
Concrete

LZ792P

Cream

LZ792RA

Copper



## MD14CR

SINGLE LEVER MIXER



Chrome finishing  
Pull-out spout-spray with aerator  
170° swivel spout  
Anti-drop valve

### ALSO AVAILABLE:

MD14CSP  
Brushed stainless steel

## MD13CR2

SINGLE LEVER MIXER



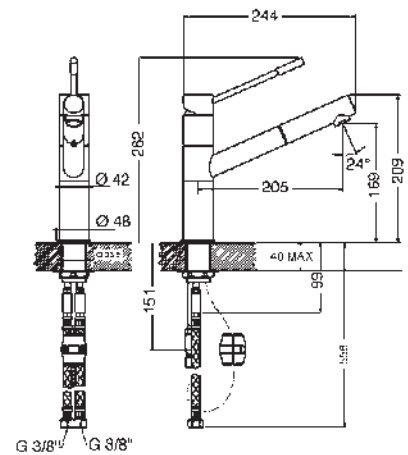
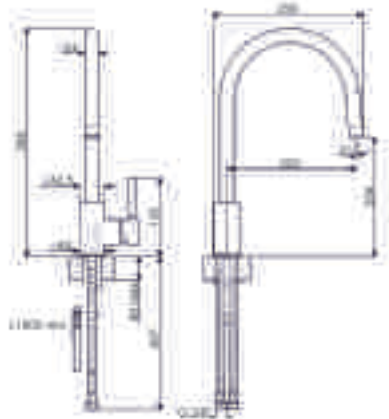
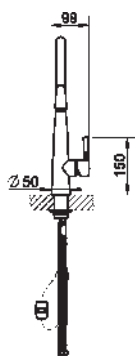
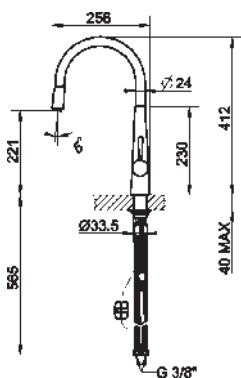
Chrome finishing  
Pull-out spout-spray with aerator  
170° swivel spout

## MD12-CR

SINGLE LEVER MIXER



Chrome finishing  
Pull-out spout-spray with aerator  
120° swivel spout







TAPS

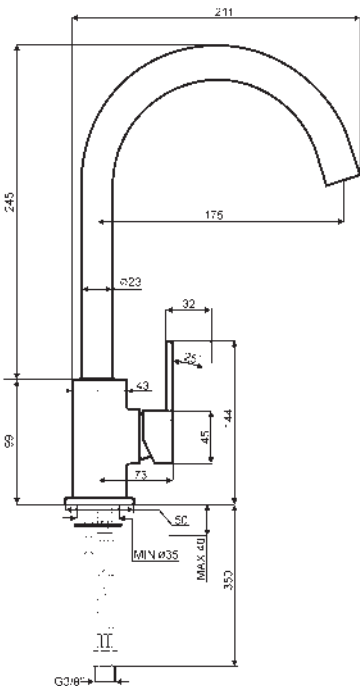
MD14CR

### MI4CR

SINGLE LEVER MIXER



Chrome finishing  
180° swivel spout with aerator

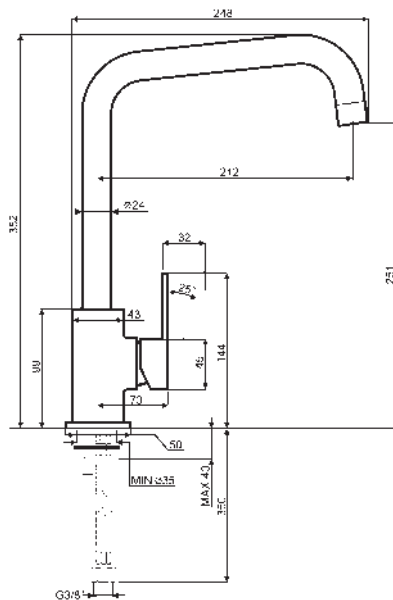


### MI3CR

SINGLE LEVER MIXER



Chrome finishing  
180° swivel spout with aerator

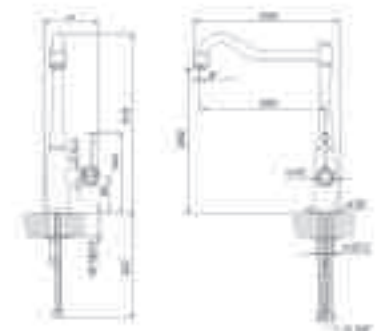


### MCO23-CR

SINGLE LEVER MIXER



Chrome finishing  
180° swivel spout with aerator  
Matches Cortina design products



TAPS





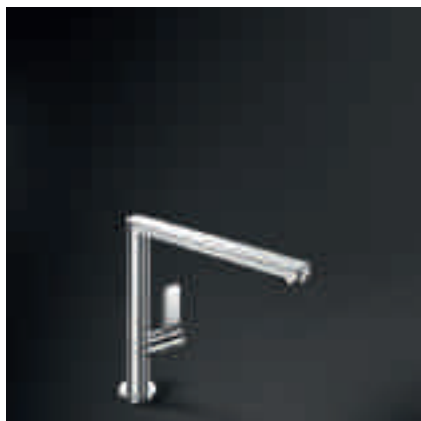


TAPS

MID9CR

## M16CR

SINGLE LEVER MIXER



Chrome finishing  
Swivel spout with aerator

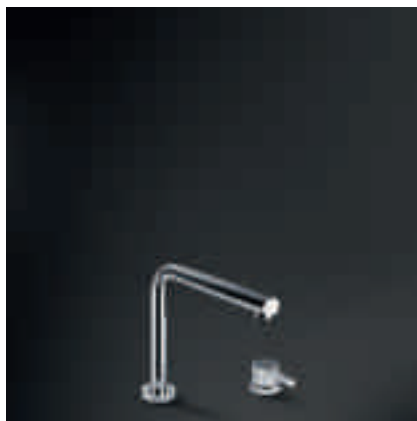
### ALSO AVAILABLE

M16CSP

Brushed stainless steel

## ME5CR2

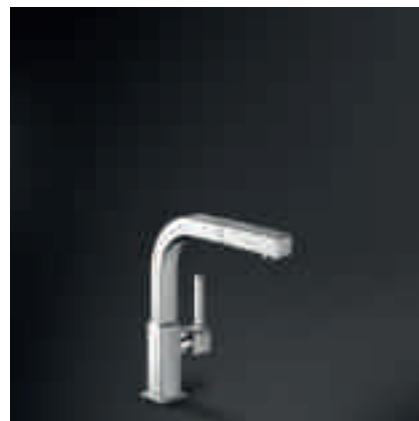
SINGLE LEVER MIXER



Stainless steel  
Pull-out spout-spray with aerator  
Single lever valve installed separately  
Possibility of installation in front of the window

## MDQ5-CR

SINGLE LEVEL MIXER



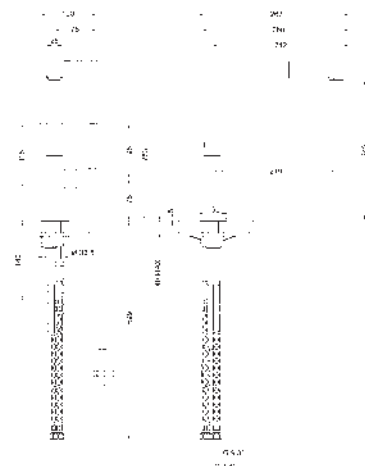
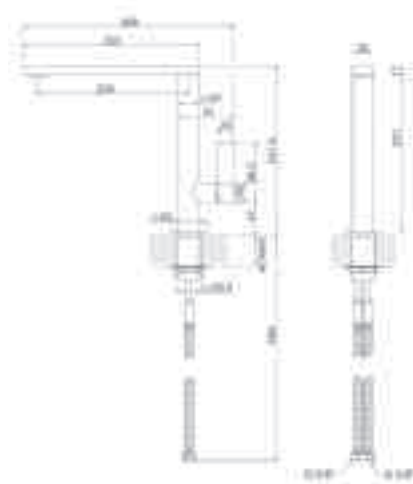
Brass body

Swivelling spout, rotation spout 360°, pull-down  
single jet spray

### ALSO AVAILABLE

MDQ5-CSP

Brushed stainless steel



## MTS15-CR

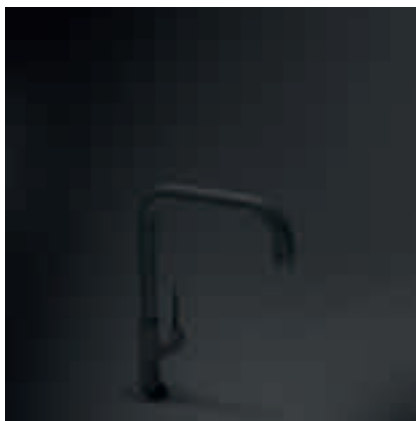
SINGLE LEVER MIXER



Chrome finishing  
170° swivel spout with aerator

## MC18A

SINGLE LEVEL MIXER



Anthracite  
360° swivel spout

### ALSO AVAILABLE:

MC18AL

Alluminium

MC18AV

Oats

MC18B

White

MC18CR

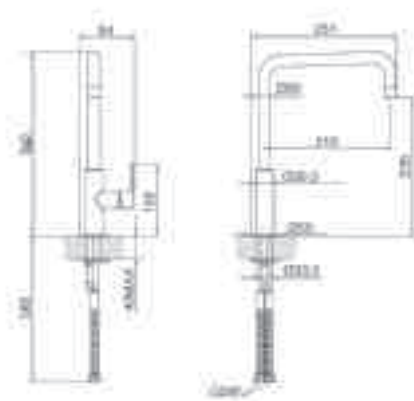
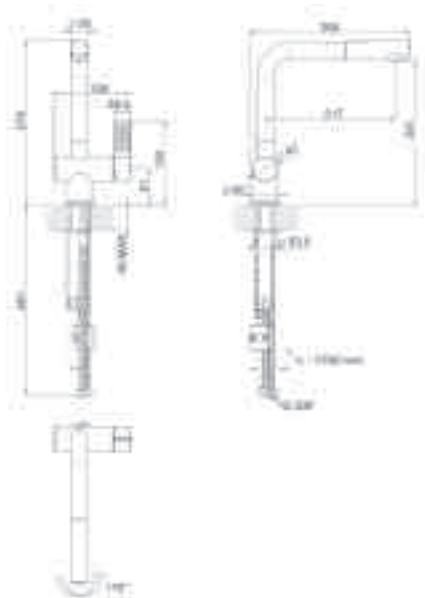
Cream

MC18N

Black

MC18T-2

Titanium



## MIDR7CR-2

SINGLE LEVER MIXER



Chrome finishing  
Pull-out spout-spray with aerator  
360° swivel spout

**ALSO AVAILABLE:**

MIDR7O-2

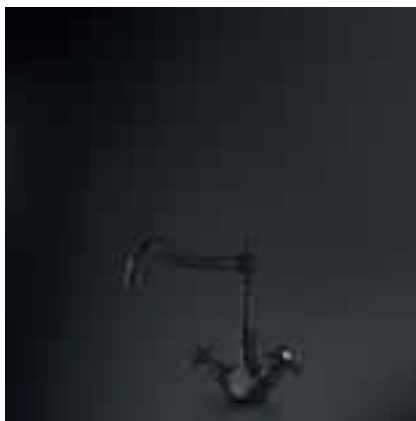
Oats

MIDR7RA-2

Copper

## MIR8A

SINGLE LEVEL MIXER



Anthracite  
180° swivel spout with aerator

**ALSO AVAILABLE:**

MIR8AV

Oats

MIR8CR

Chrome finishing

MIR8O

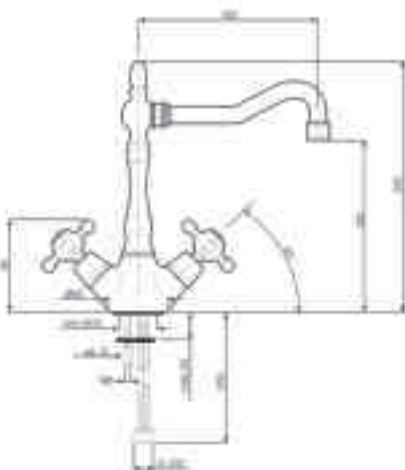
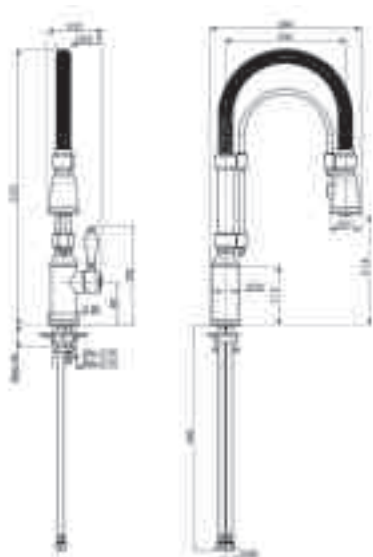
Brass

MIR8P

Cream

MIR8RA

Copper





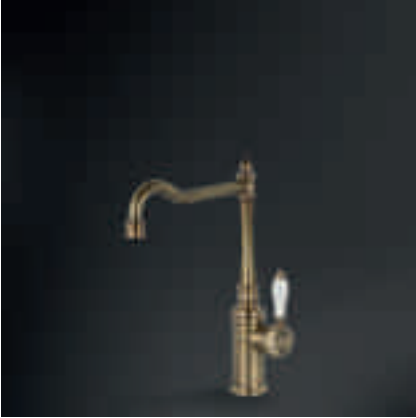


TAPS

MIDR7CR-2

## MICOR90T

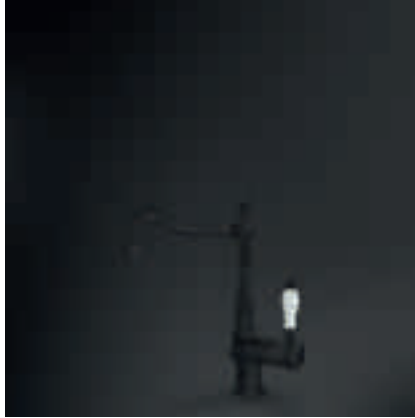
SINGLE LEVER MIXER



Brass  
Swivel spout

## MIR6A-2

SINGLE LEVEL MIXER



Anthracite  
Swivel spout

### ALSO AVAILABLE:

MIR6AV-2

Oats

MIR6CR-2

Chrome finishing

MIR6O-2

Brass

MIR6P-2

Cream

MIR6RA-2

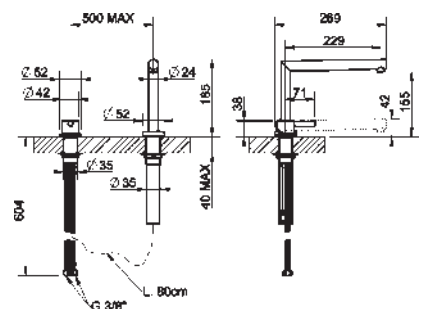
Copper

## MTO

SINGLE LEVER TELESCOPIC MIXER



Chrome finishing  
360° swivel spout with aerator  
Possibility of installation in front of a window  
Single lever valve installed separately (no more than 50 cm away from the spout)



## MFQ8-CSP



Brushed stainless steel

### ALSO AVAILABLE

MFQ8-CR  
Chrome finishing

## MFQ7-IS2

BRUSHED STAINLESS STEEL



Brushed stainless steel

### ALSO AVAILABLE

MFQ7-CR  
Chrome finishing

## MFQ6-IS2

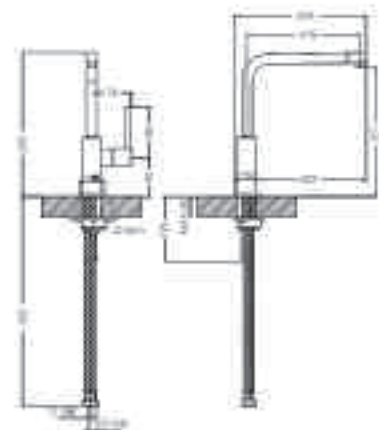
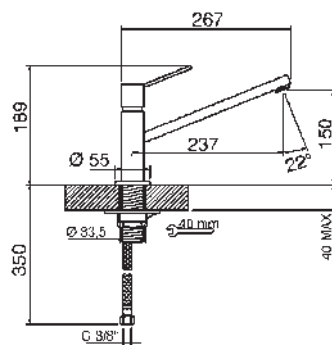
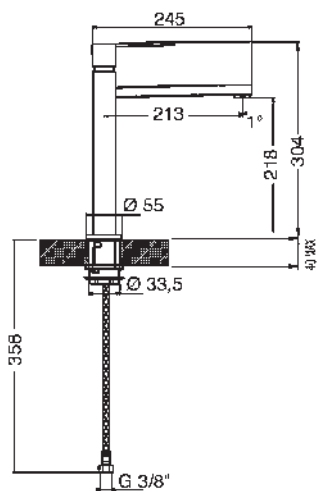
SINGLE LEVER MIXER



Brushed stainless steel  
360° swivel spout with aerator  
120° adjustable summit

### ALSO AVAILABLE

MFQ6-CR  
Chrome finishing





## MD1CR

SINGLE LEVEL MIXER

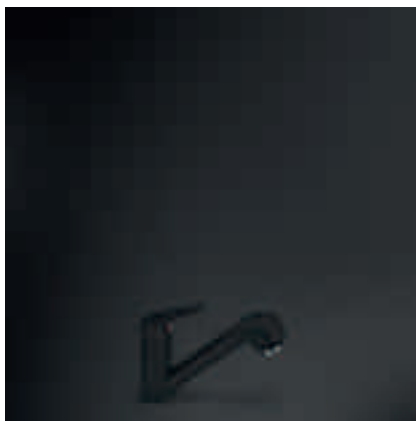


Brass body

Swivelling spout, rotation spout 170°, pull-out double jet spray

## MD10A2

SINGLE LEVER MIXER



Anthracite

Pull-out spout-spray with aerator  
120° swivel spout  
Dual operation spout

### ALSO AVAILABLE:

MD10AV2

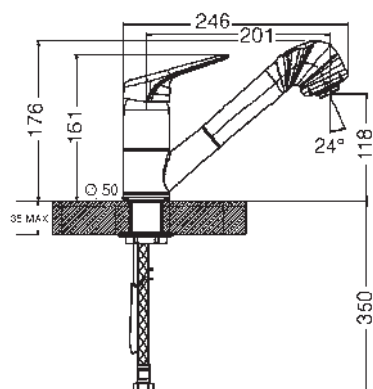
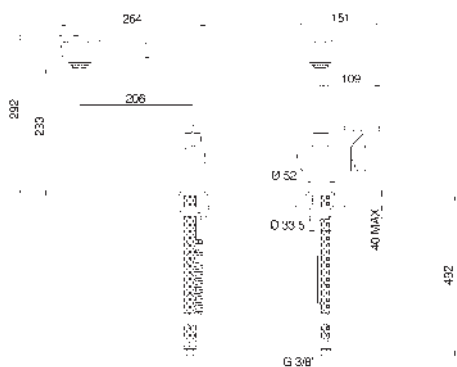
Oats

MD10CR2

Chrome finishing

MD10P2

Cream

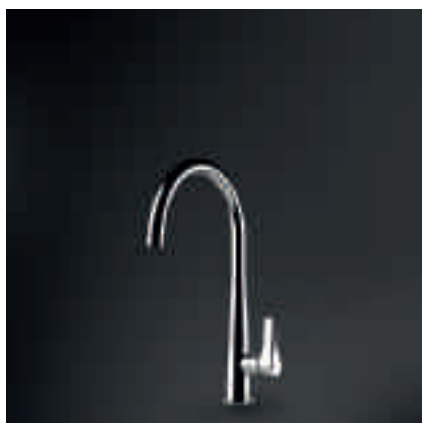






### MCG5CR

SINGLE LEVEL MIXER



Brass body

Swivelling spout, rotation spout 360°

### MCG6DCR

SINGLE LEVEL MIXER

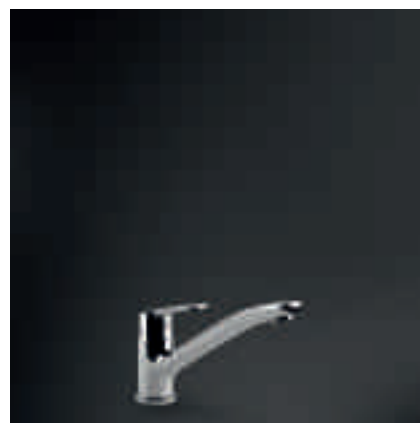


Brass body

Swivelling spout, rotation spout 360°, double jet spray

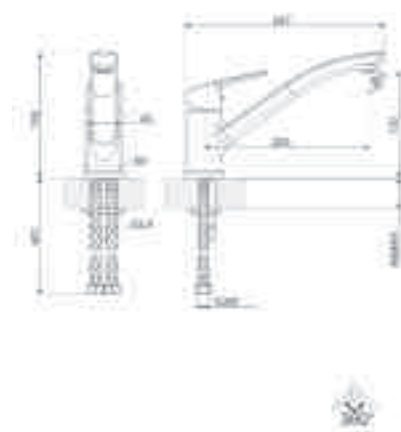
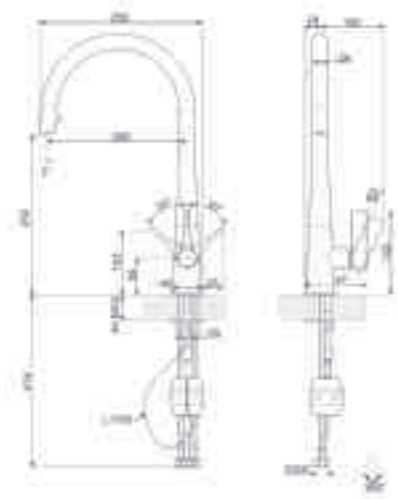
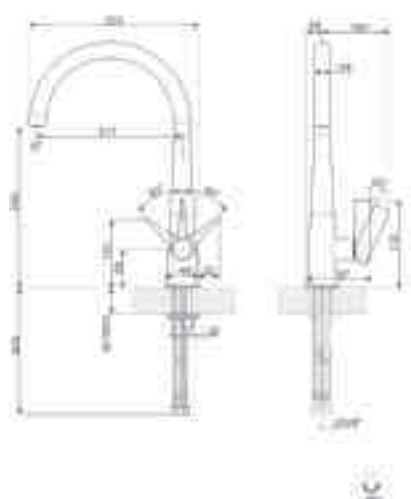
### MG1CR

SINGLE LEVEL MIXER



Brass body

Swivelling spout, rotation spout 360°



TAPS



## MRMG3CR

SINGLE LEVER MIXER



Brass body

Swivelling spout, rotation spout 360°



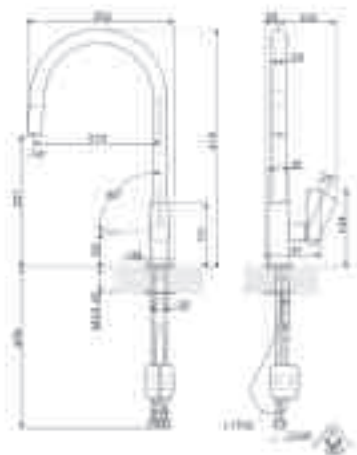
## MRMG4DCR

SINGLE LEVER MIXER



Brass body

Swivelling spout, rotation spout 360°, pull-down single jet spray



**CB34**

HARDWOOD CHOPPING BOARD



Hardwood chopping board  
Suitable for 34 cm bowls

**CB45-1**

WOODEN CHOPPING BOARD



Wooden chopping board  
Suitable for 45 cm bowls

**CVB40B2**

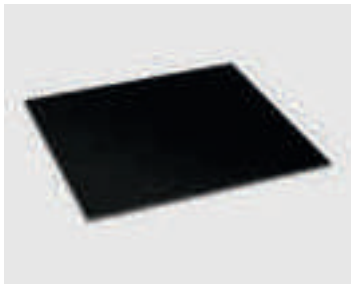
SLIDING GLASS



White sliding glass chopping board  
LINEA Stainless Steel under glass 2 pieces  
each kit

**CVB40N2**

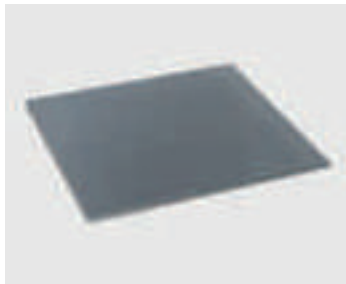
SLIDING GLASS



Black sliding glass chopping board  
LINEA Stainless Steel under glass 2  
pieces each kit

**CVB40S2**

SLIDING GLASS



Silver sliding glass chopping boards  
LINEA Stainless Steel under glass 2  
pieces each kit

**DB30**

STAINLESS STEEL DRAINER BASKET AND RACKS



Stainless steel drainer basket (30x40 cm)  
and racks  
Suitable for 30 cm bowls

**DB34**

STAINLESS STEEL DRAINER BASKET AND RACKS



Stainless steel drainer basket (34x40 cm)  
and racks  
Suitable for 34 cm bowls

**DB37C**

DRAIN BASKET



Drain basket to fit round sink range 10I3P

**DB45**

STAINLESS STEEL DRAINER BASKET AND RACKS



Stainless steel drainer basket (45x40 cm)  
and racks  
Suitable for 45 cm bowls

## HBCOL

STAINLESS STEEL COLANDER



Stainless steel colander  
Suitable for oval half bowls

## KITDS

SOAP DISPENSER



Round soap dispenser  
Suitable for LZ, VZ, VZUM sinks

## KITDSQ

SOAP DISPENSER



Square soap dispenser (height 4 cm)  
Suitable for VZ and VZUM sinks

## MATROL

STAINLESS STEEL DRAINER



Stainless steel drainer (38 x 40 cm)

## KITPOPUP

SINK ACCESSORY



Pop up sink drain valve

## KITW1

PLUG STANDARD WASTE KIT



## KITW2

PLUG STANDARD WASTE KIT



## RND1V

DRAINING KIT



Draining kit  
Suitable for single bowl sinks

## RND2V

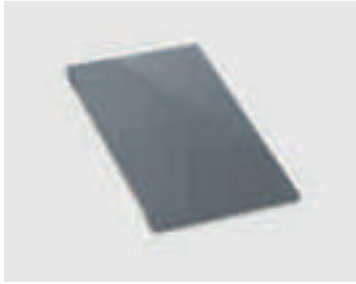
DRAINING KIT



Draining kit  
Suitable for double bowls sinks

## TVS2

SILVER SLIDING GLASS CHOPPING BOARD



Silver sliding glass chopping board Silver color  
Black Linea width 240 mm Stainless Steel

## TVB2

WHITE SLIDING GLASS CHOPPING BOARD



White Linea width 240 mm Stainless Steel

## TVN2

BLACK SLIDING GLASS CHOPPING BOARD



Black sliding glass chopping board Glass color  
Black Linea width 240 mm Stainless Steel

## KITFD050

WASTE DISPOSAL 0,5 HP



Waste disposal 0,5 HP Motor: 1/2 horsepower Fits all sinks with 3 1/2" waste outlet

## KITFD050UK

WASTE DISPOSAL 0,5 HP UK PLUG



Waste disposal 0,5 HP Motor: 1/2 horsepower Fits all sinks with 3 1/2" waste outlet

## KITFD075

WASTE DISPOSAL 0,75 HP



Waste disposal 0,75 HP Motor: 1/2 horsepower Fits all sinks with 3 1/2" waste outlet

## KITFD075UK

WASTE DISPOSAL 0,75 UK PLUG



Waste disposal 0,75 HP Motor: 1/2 horsepower Fits all sinks with 3 1/2" waste outlet

## KITFD100

WASTE DISPOSAL 1 HP



Waste disposal 1,0 HP Motor: 1/2 horsepower Fits all sinks with 3 1/2" waste outlet

## KITFD100UK

WASTE DISPOSAL 1 HP UK PLUG



Waste disposal 1 HP Motor: 1 horsepower Fits all sinks with 3 1/2" waste outlet

# SINKS ACCESSORIES

	CB30	CB34	CB45-1	DB30	DB34	DB37C	DB45	HBCOL	KITDS	KITDSQ	KITFD050	KITW1	KITW2	KITWPOPUP	RND1V	RND2V	TVB2 TVN2 TVS2	KITFD050UK KITFD075 KITFD075UK KITFD100 KITFD100UK
10I3P						•			•	•	•	•	•		•			•
10I3PFR											•	•	•		•			•
10I3POT						•					•							•
10I3PRA						•					•							•
11I									•	•	•							•
APM116D		•			•		•				•	•	•			•		•
APM116S		•			•		•				•	•	•			•		•
APM861D		•			•		•				•	•	•		•			•
APM861S		•			•		•				•	•	•		•			•
APM862		•			•		•				•	•	•			•		•
BRG100			•				•				•	•	•			•		•
LD102S					•						•	•				•		•
LD102S-2					•						•	•				•	•	•
LD116D-2					•						•	•				•	•	•
LD116S-2					•						•	•				•	•	•
LD861D-2					•						•	•				•	•	•
LD861S-2					•						•	•				•	•	•
LD862-2					•						•	•				•	•	•
LE102D-2		•			•			•			•		•			•	•	•
LE102S-2		•			•			•			•		•			•	•	•
LE116D-2		•			•						•		•			•	•	•
LE116S-2		•			•						•		•			•	•	•
LE861D-2		•			•						•		•		•		•	•
LE861S-2		•			•						•		•		•		•	•
LE862-2		•			•						•		•			•	•	•
LEH102D		•			•			•			•		•			•	•	•
LEH102S		•			•			•			•		•			•	•	•
LEH116D		•			•						•		•			•	•	•
LEH116S		•			•						•		•			•	•	•
LEH150D							•				•		•			•	•	•
LEH150S							•				•		•			•	•	•
LEH861D		•			•						•		•		•		•	•
LEH861S		•			•						•		•		•		•	•
LEH862		•			•						•		•			•	•	•
LER150		•			•			•			•		•			•	•	•
LFB102		•			•						•		•			•	•	•
LFB116		•			•						•		•			•	•	•
LFB861		•			•						•		•		•		•	•
LFB862		•			•						•		•		•		•	•
LFBG116	•		•	•			•				•		•			•	•	•
LFBG861			•	•			•				•		•		•		•	•
LFBG862	•		•				•				•		•			•	•	•
LFT100D							•				•		•			•	•	•
LFT100S							•				•		•			•	•	•
LFT102D					•						•		•			•	•	•
LFT102S					•						•		•			•	•	•
LFT116D					•						•		•			•	•	•
LFT116S					•						•		•			•	•	•
LFT3434RS					•						•		•			•	•	•
LFT40SFR					•				•	•	•		•			•	•	•
LFT861D					•						•		•			•	•	•
LFT861S					•						•		•			•	•	•
LFT862					•						•		•			•	•	•
LG116D-2	•		•	•			•				•		•			•	•	•
LG116S-2	•		•	•			•				•		•			•	•	•
LG150D-2							•				•		•			•	•	•
LG861D-2			•				•				•		•		•		•	•
LG861S-2			•				•				•		•		•		•	•
LG862-2	•		•	•			•				•		•			•	•	•
LGM116D-2	•		•	•			•				•		•			•	•	•
LGM116S-2	•		•	•			•				•		•			•	•	•
LGM861D-2			•				•				•		•		•		•	•
LGM861S-2			•				•				•		•		•		•	•
LGM862-2	•		•	•			•				•		•			•	•	•
LGMR861			•				•				•		•			•	•	•
LGR861			•				•				•		•			•	•	•

# SINKS ACCESSORIES

	CB30	CB34	CB45-1	CVB40B2	CVB40N2	CVB40S2	DB30	DB34	HBCOL	KITDS	KITDSQ	KITFD050	KITW1	KITW2	KITWPOPUP	KITWRND	RND1V	RND2V	TVB2 TVN2 TVS2	KITFD050UK KITFD075 KITFD075UK KITFD100 KITFD100UK
LI915D		•		•	•	•		•				•		•				•		•
LI91D		•		•	•	•		•				•		•			•			•
LI91S		•		•	•	•		•				•		•			•			•
LI92		•		•	•	•		•				•		•				•		•
LL102D-2		•						•	•			•		•				•	•	•
LL102S-2		•						•	•			•		•				•	•	•
LL116D-2		•						•				•		•				•	•	•
LL116S-2		•						•				•		•				•	•	•
LL2AD							•					•		•				•		•
LL861D-2		•						•				•		•			•		•	•
LL861S-2		•						•				•		•			•		•	•
LLR102-2		•						•	•			•			•				•	•
LLR116-2		•						•				•			•				•	•
LLR861-2		•						•				•			•				•	•
LM102D-2		•						•	•			•		•				•	•	•
LM102S-2		•						•	•			•		•				•	•	•
LM116D-2		•						•				•		•				•	•	•
LM116S-2		•						•				•		•				•	•	•
LM861D-2		•						•				•		•			•		•	•
LM861S-2		•						•				•		•			•		•	•
LM862-2		•						•				•		•				•	•	•
LPD116D		•						•				•								•
LPD116S		•						•				•								•
LPD861D		•						•				•								•
LPD861S		•						•				•								•
LPD862		•						•				•								•
LPE102D		•						•	•			•		•				•	•	•
LPE102S		•						•	•			•		•				•	•	•
LPE116D		•						•				•		•				•	•	•
LPE116S		•						•				•		•				•	•	•
LPE861D		•						•				•		•			•		•	•
LPE861S		•						•				•		•			•		•	•
LPE862		•						•				•					•		•	•
LQR100-2												•			•					•
LQR100F-2												•			•					•
LQR116-2												•			•					•
LQR116F-2												•			•					•
LQR861-2												•			•					•
LQR861F-2												•			•					•
LQR862-2												•			•					•
LQVB8622															•					•
LRX9015D				•	•	•		•				•	•			•				•
LRX9015S				•	•	•		•				•	•			•				•
LRX901D				•	•	•		•				•	•			•				•
LRX901S				•	•	•		•				•	•			•				•
LRX902				•	•	•		•				•	•			•				•
LSE1015A-2												•			•					•
LSE1015P-2												•			•					•
LSE48A2												•								•
LSE48AV												•								•
LSE48P												•								•
LSE48RA												•								•
LSE58A												•								•
LSE58AV												•								•
LSE58P												•								•
LSE791A-2												•			•					•
LSE791AV-2												•			•					•
LSE791P-2												•								•
LSE791RA-2												•			•					•
LSE802A-2										•	•	•			•					•
LSE802AV-2										•	•	•			•					•
LSE802P-2										•	•	•			•					•
LSE861A												•								•
LSE861AV												•								•
LSE861P												•								•
LSE861RA												•								•
LSE862A-2												•			•					•
LSE862AV-2												•			•					•
LSE862P-2					•						•			•						•

SINKS ACCESSORIES

	CB30	CB34	CB45-1	DB30	DB34	DB45	HBCOL	KITDS	KITDSQ	KITFD050	KITPOPOP	KITW2	KITWPOPUP	MATROL	RND1V	RND2V	RND1V	RND2V	TVB2 TVN2 TVS2	KITFD050UK KITFD075 KITFD075UK KITFD100 KITFD100UK
LSEG860A-2								•	•	•			•						•	•
LSEG860AV-2								•	•	•			•					•		•
LSEG860P-2								•	•	•			•					•		•
LSEQ861A										•			•						•	•
LSEQ861AV										•			•						•	•
LSEQ861P										•			•						•	•
LSEQ861RA										•			•						•	•
LSX116CB								•	•	•									•	•
LSX116CN								•	•	•									•	•
LSX150CB								•	•	•									•	•
LSX150CN								•	•	•									•	•
LSX861CN								•	•	•									•	•
LSX862CB								•	•	•									•	•
LSX862CN								•	•	•									•	•
LXP116D										•		•							•	•
LXP116S										•		•							•	•
LXP861D										•		•							•	•
LXP861S										•		•							•	•
LXP862										•		•							•	•
LYP116D										•		•							•	•
LYP116S										•		•							•	•
LYP792										•		•								•
LYP861D										•		•							•	•
LYP861S										•		•							•	•
LYP862										•		•								•
LZ102A2								•	•	•										•
LZ102AV								•	•	•	•			•					•	•
LZ102B								•	•	•	•			•					•	•
LZ102CT								•	•	•									•	•
LZ102P								•	•	•	•								•	•
LZ102RA								•	•	•	•			•					•	•
LZ116A2								•	•	•									•	•
LZ116AV								•	•	•	•								•	•
LZ116B								•	•	•	•									•
LZ116CT								•	•	•										•
LZ116P								•	•	•	•									•
LZ116RA								•	•	•	•									•
LZ791A2								•	•	•										•
LZ791AV								•	•	•	•									•
LZ791B								•	•	•	•									•
LZ791CT								•	•	•										•
LZ791P								•	•	•	•									•
LZ791RA								•	•	•	•									•
LZ792A2								•	•	•										•
LZ792AV								•	•	•	•									•
LZ792B								•	•	•	•									•
LZ792CT								•	•	•										•
LZ792P								•	•	•	•									•
LZ792RA								•	•	•	•									•
LZ830A2								•	•	•										•
LZ830AV								•	•	•	•									•
LZ830B								•	•	•	•									•
LZ862A											•									•
SG116D	•		•	•		•				•		•							•	•
SG116S	•		•	•		•				•		•							•	•
SG861D			•			•				•		•							•	•
SG861S			•			•				•		•							•	•
SG862	•		•	•		•				•		•							•	•
SGE116.1D			•			•				•		•								•
SGE116.1S			•			•				•		•								•
SP101D		•			•					•		•								•
SP101S		•			•					•		•								•
SP102D		•			•		•			•		•							•	•
SP102S		•			•		•			•		•							•	•
SP116D		•			•					•		•							•	•
SP116S		•			•					•		•							•	•
SP2A		•			•					•		•							•	•

# SINKS ACCESSORIES

	CB30	CB34	CB45-1	DB30	DB34	DB45	HBCOL	KITDS	KITDSQ	KITFD050	KITPOPUP	KITW2	KITWPOPUP	MATROL	RND1V	RND2V	RND1V	RND2V	TVB2 TVN2 TVS2	KITFD050UK KITFD075 KITFD075UK KITFD100 KITFD100UK	
SP7915D-2	•					•		•			•			•					•		•
SP7915DOT	•										•										•
SP7915DRA	•										•										•
SP7915S-2	•					•		•			•			•					•		•
SP7915SOT	•										•									•	•
SP7915SRA	•										•									•	•
SP791D-2	•					•					•			•			•			•	•
SP791DOT	•										•									•	•
SP791DRA	•										•									•	•
SP791S-2	•					•					•			•			•			•	•
SP791SOT	•										•									•	•
SP791SRA	•										•									•	•
SP792-2	•					•					•			•				•		•	•
SP792OT	•										•									•	•
SP792RA	•										•									•	•
SP861D	•					•					•			•			•			•	•
SP861S	•					•					•			•			•			•	•
SP862	•					•					•			•				•		•	•
UM103PRA									•	•	•									•	•
UM15									•	•	•			•						•	•
UM16									•	•	•			•						•	•
UM30					•				•	•	•			•			•				•
UM34					•				•	•	•			•			•				•
UM3415					•				•	•	•			•				•			•
UM3416-1					•				•	•	•			•				•			•
UM3434					•				•	•	•			•							•
UM34OT											•									•	•
UM34RA											•									•	•
UM40						•			•	•	•			•			•			•	•
UM40OT											•									•	•
UM40RA											•									•	•
UM45							•		•	•	•			•			•			•	•
UM4530					•		•		•	•	•			•				•		•	•
UM4540					•		•		•	•	•			•						•	•
UM4545							•		•	•	•			•						•	•
UM45OT											•										•
UM45RA											•										•
UM50							•		•	•	•			•			•				•
VQMX60N2											•										•
VQMX79N2											•										•
VQR40						•			•	•	•		•								•
VQR40RS						•					•						•				•
VQR50							•		•	•	•		•				•				•
VQR50RS							•				•						•				•
VQR71							•		•	•	•		•								•
VQR71RS							•				•						•				•
VR78	•	•	•	•							•										•
VS34P3OT	•										•										•
VS34P3RA	•										•										•
VS45-P3							•				•			•	•						•
VS45P3OT											•										•
VS45P3RA											•										•
V550P3											•			•	•						•
VSTQ20									•	•	•			•							•
VSTQ40-2									•	•	•			•							•
VSTQ50-2									•	•	•			•							•
VSTQ72-2									•	•	•			•							•
VSTR18-2									•	•	•			•			•				•
VSTR34-2						•			•	•	•		•				•				•
VZ3434AV									•	•	•	•									•
VZ3434B									•	•	•	•									•
VZ3434CT									•	•	•	•									•
VZ3434N									•	•	•	•									•
VZ3434P									•	•	•	•									•
VZ40AV									•	•	•	•									•
VZ40B									•	•	•	•									•
VZ40CT									•	•	•	•									•
VZ40N									•	•	•	•									•
VZ40P									•	•	•	•									•



## SINKS ACCESSORIES

	KITDS	KITDSQ	KITFD050	KITPOPUP	KITFD050UK KITFD075 KITFD075UK KITFD100 KITFD100UK
VZ57AV	•	•	•	•	•
VZ57B	•	•	•	•	•
VZ57CT	•	•	•		•
VZ57N	•	•	•	•	•
VZ57P	•	•	•	•	•
VZ79AV	•	•	•	•	•
VZ79B	•	•	•	•	•
VZ79CT	•	•	•		•
VZ79N	•	•	•	•	•
VZ79P	•	•	•	•	•
VZUM3434AV	•	•	•	•	•
VZUM3434B	•	•	•	•	•
VZUM3434CT	•	•	•		•
VZUM3434N	•	•	•	•	•
VZUM3434P	•	•	•	•	•
VZUM40B	•	•	•	•	•
VZUM40CT	•	•	•		•
VZUM40N	•	•	•	•	•
VZUM40P	•	•	•	•	•
VZUM57AV	•	•	•	•	•
VZUM57B	•	•	•	•	•
VZUM57N	•	•	•	•	•
VZUM57P	•	•	•	•	•
VZUM79AV	•	•	•	•	•
VZUM79B	•	•	•	•	•
VZUM79CT	•	•	•		•
VZUM79N	•	•	•	•	•

# SMALL DOMESTIC APPLIANCES

The latest addition to the Smeg 50's style family is a fabulous collection of small domestic appliances to put the finishing touches of colour and design into the kitchen.

These curved and compact products recollect the past and are reminiscence of 1950's retro style while offering the most update technologies.

They will surely make a big impact in the kitchen, as stand alone items or beautifully co-ordinating with other Smeg 50's retro style appliances.



# Small domestic appliances

*unique details, unmistakable style*



VARIABLE TEMPERATURE KETTLE



COFFEE MACHINE



DRIP COFFEE MACHINE



CITRUS JUICER



HAND BLENDER



4X4 SLICE TOASTER

The Smeg small domestic appliance collection now includes new members of the family to enrich your choice for the breakfast set or the food preparation set.



2 SLICE TOASTER



4 SLICE TOASTER



KETTLE



STAND MIXER



BLENDER



SLOW JUICER

## TOASTERS

### *clever toasting*

The SMEG toaster combines ergonomics, functionality, and aesthetic balance. Breakfast, lunch, brunch, or just snacking - when you fall in love with the SMEG '50s Style' toaster, you'll find plenty good excuses to use it.

### *4-slice toaster*

#### **CRUMB TRAY**

Polished stainless steel tray, removable for easy cleaning.



#### **2 LARGE COMPARTMENTS**

Self-centering racks in the compartments ensure even toasting of slices of bread, whatever size they may be.

### *2-slice toaster*



#### **AUTOMATIC POP-UP**

When the selected toasting time has finished, the slices pop up automatically.

#### **MULTI-FUNCTION INTERFACE**

REHEAT to heat toast or slices of bread, or to continue toasting if you like your toast a little more toasted than the standard settings allow, DEFROST to thaw frozen slices of bread, and BAGEL to only brown one side of the bread without toasting the other.

### *Sandwiches, buns & pastries*

Sandwich racks and bun warmers are available to fit both toaster sizes to make tasty toasted sandwiches, to heat through buns and pastries or to keep toast warm.



## KETTLE

# *quick to the boil*

Making every moment special, from breakfast to afternoon tea, from a quick break to relaxing in the evening, Smeg kettles boil water quickly and efficiently. More flexibility can now be offered thanks to the new variable temperature kettle option that allows you to choose the perfect temperature for any specific drink.

### LIMESCALE FILTER

Removable and washable stainless steel filter that filters out natural limescale present on water.

### 1.7L CAPACITY, APPROXIMATELY 7 CUPS

Large 1.7 litre jug capacity with a water gauge that shows both in litres and cups.

### STAINLESS STEEL BODY

Enamelled stainless steel surface ensures excellent heat conduction.

### LED DISPLAY TEMPERATURE SETTINGS

Clear visual display shows temperature selected from 50°C to 100°C

### SOFT OPENING

Gentle opening when you push the lid in the middle, prevents hot water splashing or steam coming out when opening.

### 360° SWIVEL BASE

Base with non-slip feet including electrical connection and a safety system that, in the absence of water, interrupts the operation of the unit.

### KEEP WARM BUTTON

Maintains the selected temperature for 20 minutes.

### TEMPERATURE SELECTOR LEVER

Allows you to select one of 7 temperature settings by moving the temperature selector control left (-) or right (+)



# ESPRESSO COFFEE MACHINE

## *maximum flavour and aroma*

Prepare and enjoy a real espresso, cappuccino, latte or latte macchiato in the comfort of your own home. The slim SMEG espresso coffee machine delivers rich, intense, aromatic flavours with an outstanding taste as well as producing the perfect crema.

### USER FRIENDLY CONTROLS



One cup coffee button



Two-cup coffee button



Steam button/  
Descalce alarm

### CUP WARMER AREA

Perfect for heating cups before use ensuring drinks retain heat after serving.

### 1L WATER TANK

Removable water tank with wide opening for easy cleaning and re-filling straight from the tap.

### FILTER HOLDER

Stainless steel filter holder with 3 filters for ground coffee, single or double, or Paper pods.

### THERMOBLOCK SYSTEM & 15 BAR PRESSURE

The fast reacting thermoblock heating system & 15 bar professional pressure provide the best possible flavour and aroma in the shortest time for an unique coffee experience.

### REMOVABLE CUP TRAY

The stainless steel cup tray can be removed for easy cleaning while the support below can also be removed to accommodate bigger cups. There is also an Anti-drip system and removable drip tray with water level indicator.

### CAPPUCCINO SYSTEM

Adjustable system that mixes steam, air and milk to obtain a thick and rich froth for a creamy cappuccino.





## CITRUS JUICER

*freshly squeezed*

Celebrating Smeg's Italian heritage, a nation with a huge love for citrus fruits, the SMEG citrus juicer has been specially developed to squeeze both large and small fruits and dispense every last drop of juice directly into a glass or cup with minimal effort.

### TRITAN™ BPA-FREE LID & JUICING BOWL

Both lid and juicing bowl are easy to remove, BPA free, impact resistant and dishwasher safe. The handy cover protects from dust when not in use, and can be removed to house fruits and peels when in use.

### STAINLESS STEEL REAMER AND STRAINER

The 'fins' on the reamer cone help to strain the juice through the pip strainer, ensuring complete extraction of juice. These premium anti-corrosive components can accommodate both small and large fruits.

### ANTI DRIP SPOUT

The pop up spout prevents juices from dripping, allowing liquid to be dispensed easily in the cleanest way possible.

### 70W MOTOR & AUTOMATIC ON/OFF

The powerful but quiet 70W motor has a built in sensor which activates the juicing process once there is pressure on the reamer, for simple and easy use.



## SLOW JUICER

# *ultimate healthy living*

The SMEG slow juicer extracts juice from fruits and vegetables, seeds and nuts by crushing and then pressing them. It squeezes the ingredients without producing heat, keeping more nutrients complete, it delivers a natural taste and high nutrition standards. Whether you are sporty, interested in healthy living, want better nutrition and dietary habits or are simply curious to try new 'real tastes', the SMEG slow juicer is a must have item for your kitchen.

### 150W AC MOTOR

Strong and durable AC motor with low noise and low vibration to enhance user stability.

### PREMIUM MATERIALS AND DESIGN

High standard materials (Tritan™ and Ultem™) and accurate design for safe and convenient results and easy cleaning.

### EXCLUSIVE SLOW

### SQUEEZING TECHNOLOGY™

Second generation technology ensures the best juice extraction experience. Slow squeezing speed at 43 RPM preserves the taste and nutrients.

### LARGE CHAMBER

Chamber built to contain up to 500ml of juice.

### CONTROL LEVER

To adjust the thickness of your Juice and mix ingredients inside the chamber.



## HAND BLENDER

# *versatile and stylish*

The Smeg hand blender delivers powerful and controllable blending at the touch of a button. Small but mighty, when combined with the attachments, this stylish blender makes chopping, blending, mashing and whisking an easy task. Create beautiful soups, jams, mayonnaise and more, the possibilities are endless.



## BLENDER

# *smooth and nutritious*

At breakfast for a healthy fruit and yogurt smoothie, after a workout to revitalise yourself with a refreshing drink, at lunch to prepare a quick and simple velouté, the SMEG blender perfectly mixes ingredients of different consistencies, for each part of the day.

### TRITAN™ BPA-FREE JUG

Light, easy-to-clean jug with dishwasher-safe lid, measuring cup, and anti-splash spout. Tritan BPA plastic is also resistant to impacts, scratches and heat.



### STAINLESS STEEL DUAL BLADES

Removable blades, adjustable 4 Speeds (18000 rpm) with soft start which guarantee the desired degree of mixing.



### DIE-CAST ALUMINUM BODY

Robust and stable, with anti-slip feet and built-in cord wrap.

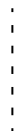


### SMOOTH START & SAFETY LOCK

The SMOOTH START function begins slowly, to facilitate mixing the ingredients, and then accelerates to reach the selected speed. A safety lock feature prevents the blades from moving when the blender jug is not properly fitted.

### 3 PRE-SET PROGRAMS

ICE CRUSH to crush ice cubes, SMOOTHIE to produce dense and creamy textures, PULSE to increase the speed of the blender to your liking by pressing a button.



### ACCESSORIES: BGF01- BOTTLE TO GO FOR BLENDER

For those with no time to waste, a drink can be prepared directly in the 'bottle to go' instead of using the standard jug, then be simply removed and sealed, ready to use, leaving no mess behind.



# STAND MIXER

## *in the mix*

A cake to offer to your friends, the unique scent of home baked bread, fresh pasta that will amaze your dinner guests - recipes take shape thanks to the SMEG '50s Retro Style' stand mixer, a reliable, robust, and efficient assistant in the kitchen.

### PLANETARY MOVEMENT

Planetary action provides excellent coverage of the bowl for an even mix.

### VARIABLE SPEED CONTROL

10 adjustable settings guarantee the greatest versatility. The numbers printed alongside the lever suggest the correct speed based on the hook in use. Additionally, thanks to the SMOOTH START function the machine starts at a reduced speed, preventing the ingredients from overflowing.

### STAINLESS STEEL BOWL

The ample 4.8 litres stainless steel bowl with ergonomic handle enables small and large quantities of mixtures to be prepared.

### METAL BODY

The robust metal structure of the stand mixer reduces vibrations, to work in total safety.



## *accessories offer possibilities*

Smeg offers many useful accessories which are inserted on the front of the stand mixer to form different styles of pasta from cut to stretch fresh pasta with the 3 piece pasta set. There is also a slicer and grater, multi food grinder, ravioli maker and spaghetti cutter to provide more possibilities when using your stand mixer.



# DRIP COFFEE MACHINE

## *bright start of the day*

An object of style, with the inimitable design of the small appliance collection. A concentration of technology, ready to offer a unique and personalized sensory experience, ideal both for the most delicate palates and those in search of more taste.



# STYLE TOUCH

## *style touch*

Dedicated to those who like to indulge in a fragrant croissant for breakfast, a tasty toast for a snack or a bagel for lunch or dinner according to your taste. The new 4 slice toaster, combines the best aesthetics, reliability and performance.



### PRACTICAL ACCESSORIES



Sandwich Racks  
TSSR01



Bun Warmer  
TSBW01



### **TSF03BLEU**

4 SLICE TOASTER, 50' STYLE, BLACK



### **TSF03CREU**

4 SLICE TOASTER, 50' STYLE, CREAM



### **TSF03PBEU**

4 SLICE TOASTER, 50' STYLE, PASTEL BLUE



2 independent control panels  
4 slots (36mm each slot)  
6 browning levels  
Stainless steel ball lever knobs  
Backlit chrome knobs  
Self-centring racks  
Reheat function: Reheat function  
Defrost function  
Bagel function  
Automatic slice pop up  
Anti-slip feet  
2 Removable stainless steel crumb trays  
Built-in cord wrap

Power: 2000 W  
Voltage: 220-240 V  
Frequency: 50/60 Hz

Schuko plug

### **TSF03PGEU**

4 SLICE TOASTER, 50' STYLE, PASTEL GREEN



### **TSF03PKEU**

4 SLICE TOASTER, 50' STYLE, PINK



### **TSF03WHEU**

4 SLICE TOASTER, 50' STYLE, WHITE



### **TSF03RDEU**

4 SLICE TOASTER, 50' STYLE, RED



### **TSF03SSEU**

4 SLICE TOASTER, 50' STYLE, CHROME







### **TSF01BLEU**

2 SLICE TOASTER, 50' STYLE, BLACK



### **TSF01CREU**

2 SLICE TOASTER, 50' STYLE, CREAM



### **TSF01PBEU**

2 SLICE TOASTER, 50' STYLE, PASTEL BLUE



2 slots  
36 mm slot width  
6 burning levels  
Backlit knob  
Automatic centring racks  
Reheat function: Yes  
Defrost function  
Bagel function  
Automatic pop up  
Anti-slip feet  
Polished stainless steel crumb tray  
Level control setting, Buttons control setting,  
Knob control setting  
Polished chrome base and top  
Stainless steel body  
Built-in cord wrap

Power: 950W  
Frequency: 50/60 Hz

Schuko plug

### **TSF01PGEU**

2 SLICE TOASTER, 50' STYLE, PASTEL GREEN



### **TSF01PKEU**

2 SLICE TOASTER, 50' STYLE, PINK



### **TSF01SSEU**

2 SLICE TOASTER, 50' STYLE, CHROME



### **TSF01RDEU**

2 SLICE TOASTER, 50' STYLE, RED



### **TSF01WHEU**

2 SLICE TOASTER, 50' STYLE, WHITE



### TSF02BLEU

4 SLICE TOASTER, 50' STYLE, BLACK



### TSF02CREU

4 SLICE TOASTER, 50' STYLE, CREAM



### TSF02PBEU

4 SLICE TOASTER, 50' STYLE, PASTEL BLUE



2 slots  
36 mm slot width  
6 burning levels  
Backlit knob  
Automatic centring racks  
Reheat function: Yes  
Defrost function  
Bagel function  
Automatic pop up  
Anti-slip feet  
Polished stainless steel crumb tray  
Level control setting, Buttons control setting,  
Knob control setting  
Polished chrome top  
Stainless steel body  
Built-in cord wrap

Power: 1500W  
Voltage: 220-240 V  
Frequency: 50/60 Hz

Schuko plug

### TSF02PGEU

4 SLICE TOASTER, 50' STYLE, PASTEL GREEN



### TSF02PKEU

4 SLICE TOASTER, 50' STYLE, PINK



### TSF02WHEU

4 SLICE TOASTER, 50' STYLE, WHITE



### TSF02RDEU

4 SLICE TOASTER, 50' STYLE, RED



### TSF02SSEU

4 SLICE TOASTER, 50' STYLE, CHROME



**BLF01BLEU**

BLENDER, 50'S STYLE, BLACK



Jug capacity 1.5lt / 6 cups  
 Extractable double edge  
 Antislip base  
 Pulse function  
 Smoothie function  
 Ice crush function  
 4 speed levels  
 Max spin/min 18000  
 Motor with Smooth Start function  
 Power 800 W  
 Measuring cup/lid

Frequency 50 Hz  
 Voltage 220-240 V

**BLF01CREU**

BLENDER, 50'S STYLE, CREAM

**BLF01PBEU**

BLENDER, 50'S STYLE, PASTEL BLUE

**BLF01PGEU**

BLENDER, 50'S STYLE, PASTEL GREEN

**BLF01PKEU**

BLENDER, 50'S STYLE, PINK

**BLF01RDEU**

BLENDER, 50'S STYLE, RED

**BLF01SVEU**

BLENDER, 50'S STYLE, SILVER





BLENDER

SMALL APPLIANCES

BLF01PBEU

### SMF01BLEU

STAND MIXER, 50'S STYLE, BLACK



### SMF01CREU

STAND MIXER, 50'S STYLE, CREAM



### SMF01PBEU

STAND MIXER, 50'S STYLE, PASTEL BLUE



Planetary action  
 Direct drive motor  
 800 W direct drive motor  
 10 variable speeds  
 Electronic speed control  
 Safety lock when the head is tilted up  
 Overload motor protection  
 Smooth start function  
 Silver base color  
 Base material: Zinc-alloy  
 Die casted aluminium base  
 Bowl capacity: 4,8 L bowl capacity  
 Stainless steel bowl with ergonomic handle  
 Aluminum dough hook  
 Aluminum flat beater  
 Integrated cord wrap  
 Pouring shield  
 Stainless steel wire whisk

Power input: 800 W  
 Frequency: 50 Hz  
 Voltage: 220 - 240 V  
 Schuko plug

#### ACCESSORIES NOT INCLUDED:

SMB401 Stainless steel bowl  
 SMDH01 Dough hook  
 SMFC01 Fettuccine cutter accessory  
 SMFB01 Flat beater  
 SMPR01 Pasta roller accessory  
 SMPS01 Pouring shield  
 SMFC01 Spaghetti cutter accessory  
 SMTC01 Tagliolini cutter accessory  
 SMWWW01 Wire whisk

### SMF01PGEU

STAND MIXER, 50'S STYLE, PASTEL GREEN



### SMF01PKEU

STAND MIXER, 50'S STYLE, PINK



### SMF01RDEU

STAND MIXER, 50'S STYLE, RED



### SMF01SVEU

STAND MIXER, 50'S STYLE, SILVER





STAND MIXER

SMALL  
APPLIANCES

SMF01PKEU

### **KLF04BLEU**

KETTLE, VARIABLE TEMPERATURE , 50'S  
STYLE, BLACK



### **KLF04CREU**

KETTLE, VARIABLE TEMPERATURE , 50'S  
STYLE, CREAM



### **KLF04PBEU**

KETTLE, VARIABLE TEMPERATURE , 50'S  
STYLE, PASTEL BLUE



'Soft Opening' lid system  
360° swivel base  
Acoustic alarm  
Anti slip feet  
Auto switch off when at selected temperature  
Shiny chrome plated  
Blacklit controls  
Stainless steel body  
Mute mode  
Temperature display LED  
Handle material: Plastic  
Integrated cord wrap  
Keep warm function  
Stainless steel lever  
Stainless steel lid  
Stainless steel limescale filter  
Max jug capacity: 1,7 lt / 7 cups  
Removable limescale filter  
Safety auto shut off  
Stainless steel spout  
Variable temperature  
Temperature settings: 50°C; 60°C; 70°C;  
80°C; 90°C; 95°C; 100°C  
Water level indicator

Power 2400 W  
Frequency: 50/60 Hz  
Voltage: 220/240 V

Schuko plug

### **KLF04PGEU**

KETTLE, VARIABLE TEMPERATURE , 50'S  
STYLE, PASTEL GREEN



### **KLF04PKEU**

KETTLE, VARIABLE TEMPERATURE , 50'S  
STYLE, PINK



### **KLF04RDEU**

KETTLE, VARIABLE TEMPERATURE , 50'S  
STYLE, RED



### **KLF04WHEU**

KETTLE, VARIABLE TEMPERATURE , 50'S  
STYLE







### **KLF03BLEU**

KETTLE, 50'S STYLE, BLACK



'Soft Opening' lid system  
360° swivel base  
Anti slip feet  
100°C auto shut-off  
Shiny chrome plated  
Stainless steel body  
Handle material: Plastic  
Integrated cord wrap  
Stainless steel lever  
Stainless steel lid  
Stainless steel limescale filter  
Max jug capacity: 1,7 lt / 7 cups  
Removable limescale filter  
Safety auto shut off  
Stainless steel spout  
Water level indicator

Power 2400 W  
Frequency: 50/60 Hz  
Voltage: 220/240 V

Schuko plug

### **KLF03CREU**

KETTLE, 50'S STYLE, CREAM



### **KLF03PBEU**

KETTLE, 50'S STYLE, PASTEL BLUE



### **KLF03PKEU**

KETTLE, 50'S STYLE, PINK



### **KLF03RDEU**

KETTLE, 50'S STYLE, RED



### **KLF03SSEU**

KETTLE, 50'S STYLE, POLISHED STAINLESS STEEL



### **KLF03PGEU**

KETTLE, 50'S STYLE, PASTEL GREEN



### **KLF03WHEU**

KETTLE, 50'S STYLE





KLF03WHEU

### CJF01BLEU

CITRUS JUICER, 50'S STYLE, BLACK



### CJF01CREU

CITRUS JUICER, 50'S STYLE, CREAM



### CJF01PBEU

CITRUS JUICER, 50'S STYLE, PASTEL BLUE



Anti-slip base  
Anti-drip Spout  
Product Dimensions: HxLxV  
281x166x166 mm  
Lid Material: Tritan  
Body Material: Die-cast Aluminum  
Juicing Bowl Material: Tritan  
Filter Material: Stainless Steel  
1 way - anticlockwise cone rotation  
Universal Cone  
Manual pressure

Power 70 W  
Frequency 50/60 Hz  
Voltage 220-240 V

### CJF01PGEU

CITRUS JUICER, 50'S STYLE, PASTEL GREEN



### CJF01PKEU

CITRUS JUICER, 50'S STYLE, PINK



### CJF01RDEU

CITRUS JUICER, 50'S STYLE, RED





CITRUS JUICER

SMALL APPLIANCES

CJF01PGEU

### ECF01BLEU

ESPRESSO COFFEE MACHINE, 50'S STYLE,  
BLACK



Hot Water Function  
Double Coffee Functions  
Single Coffee Function  
Paper Pods Filter  
Low/medium/high adjustable coffee temperature  
Light/medium/hard adjustable water hardness  
Hot Water/Steam Dispenser  
1 Cup Filter  
2 Cups Filter  
Drip Tray  
Removable Water Container  
Antislip Base  
Adjustable Coffee Length  
Measurer/Presser  
Pump Pressure: 1.5 bar

Power 1350 W  
Frequency Hz: 50/60 Hz  
Voltage (V): 220-240 V

Product Dimensions: HxLxP  
330x149x329 mm

### ECF01CREU

ESPRESSO COFFEE MACHINE, 50'S STYLE,  
CREAM



### ECF01RDEU

ESPRESSO COFFEE MACHINE, 50'S STYLE,  
RED



### ECF01PBEU

ESPRESSO COFFEE MACHINE, 50'S STYLE,  
PASTEL BLUE



### ECF01PGEU

ESPRESSO COFFEE MACHINE, 50'S STYLE,  
PASTEL GREEN



### ECF01PKEU

ESPRESSO COFFEE MACHINE, 50'S STYLE,  
PINK





### **SJF01BLEU**

SLOW JUICER, 50'S STYLE, BLACK



Anti-slip feet  
Juice collector bowl: 500 ml  
Juice collector bowl capacity: 1 Lt  
Juice collector bowl in TRITAN™  
'Reverse' function  
Rotations: 43 rpm  
Slow Squeezing Technology  
Anti-drip cap

Induction motor  
Coarse strainer  
Fine strainer  
Strainer rotating brush with 4 brushes  
Pestle included  
2 cleaning brushes

Induction motor  
Motor power: 0,15 kW  
Frequency: 50 Hz  
Voltage 220-240 V

### **SJF01CREU**

SLOW JUICER, 50'S STYLE, CREAM



### **SJF01PBEU**

SLOW JUICER, 50'S STYLE, PASTEL BLUE



### **SJF01RDEU**

SLOW JUICER, 50'S STYLE, RED







SLOW JUICER

SMALL APPLIANCES

SJF01PBEU

## HBFO2BLEU

HAND BLENDER, 50'S STYLE, BLACK



Plastic painted main body  
Ergonomic and anti-slip handle  
Stainless steel blending arm  
Stainless steel blades with system  
ON/OFF button  
Variable speed knob  
Turbo function  
Power: 700 W  
Voltage: 220-240 V  
Frequency: 50/60 Hz  
Schuko plug



Beaker  
1,4 Lt BPA-free Tritan™ beaker  
with detachable BPA-free Tritan™  
lid cover with gasket  
Water level marking in Liters-mm/  
oz-cups  
Ergonomic handle for easy  
handling  
Dishwasher safe



Chopper  
Main container in BPA-free  
Tritan™ 0,5 LT capacity  
Upper lid in the same color as  
the hand blender main body  
S/S S-shaped blade with  
different heights  
Anti-slip grey bottom cover which  
can be used as container lid for  
storing ingredients  
Container & blades dishwasher  
safe



Potato masher  
Plastic body and detachable  
gear box in the same color as the  
hand blender main unit  
Plastic blades in grey color which  
slowly operate to mash potatoes  
or other boiled vegetables.  
Blades dishwasher safe



Whisk  
Stainless steel whisk  
Plastic adaptor in the same color  
as the hand blender main unit  
Whisk dishwasher safe (not  
adaptor)

### **HBF02CREU**

HAND BLENDER, 50'S STYLE, CREAM



### **HBF02PBEU**

HAND BLENDER, 50'S STYLE, PASTEL BLUE



### **HBF02RDEU**

HAND BLENDER, 50'S STYLE, RED



### HBFO1BLEU

HAND BLENDER, 50'S STYLE, BLACK



Plastic painted main body  
Ergonomic and anti-slip handle  
Cable tie included  
Stainless steel blending arm  
Stainless steel blades with flow blend system  
Variable Speed Knob  
ON/OFF Button  
Turbo function  
Power: 700 W  
Rating 220-240V - 50/60 Hz

### HBFO1CREU

HAND BLENDER, 50'S STYLE, CREAM



### HBFO1PBEU

HAND BLENDER, 50'S STYLE, PASTEL BLUE



### HBFO1RDEU

HAND BLENDER, 50'S STYLE, RED





### DCF01BLEU

DRIP FILTER COFFE MACHINE, 50'S STYLE,  
BLACK



Painted steel housing and lid  
10 cups capacity glass carefe  
Digital LED Display and Clock  
User-friendly control panel  
Reusable coffe filter with handle  
1.4 lt water tank  
Tank water level indicator  
Anti-slip feet  
On-off button  
Aroma intensity button  
1-4 cups function  
Auto start mode  
Clock/Timer lever  
Keep Warm function  
Adjustable water hardness  
Anti-drip systm  
Descaling light indicator  
Voltage: 220-240 V  
Frequency: 50-60 Hz  
Power: 1050 W  
Schuko plug  
Cord lenght 100 cm

INCLUDED ACCESSORIES:  
Measuring scoop for ground coffe

### DCF01CREU

DRIP FILTER COFFE MACHINE, 50'S STYLE,  
CREAM



### DCF01PBEU

DRIP FILTER COFFE MACHINE, 50'S STYLE,  
PASTEL BLUE



### DCF01PGEU

DRIP FILTER COFFE MACHINE, 50'S STYLE,  
PASTEL GREEN



### DCF01RDEU

DRIP FILTER COFFE MACHINE, 50'S STYLE,  
RED



### DCF01WHEU

DRIP FILTER COFFE MACHINE, 50'S STYLE,  
WHITE





**SMDH01\***

DOUGH HOOK



Aluminum dough hook to combine and mix leavened doughs, such as those for pasta and pizza, in the best possible way.

**SMFB01\***

FLAT BEATER



Aluminum flat beater to combine dense mixtures such as those for cakes, frosting, biscuits, and purées.

**SMWW01\***

WIRE WHISK



Stainless steel wire whisk to whip up egg whites, yolks, and cream, and make custards and sauces.

**SMB401\***

STAINLESS STEEL BOWL



4,8L/5qt polished stainless steel bowl with ergonomic handle. Dishwasher-safe.

**SMPS01\***

ANTI-SPRAY POURING SHIELD



The pouring shield prevents splashes coming out, and, at the same time, its spout simplifies the addition of ingredients during mixing.

**SMPR01\*\***

PASTA ROLLER



Thanks to the control knob, it is possible to select up to 10 different lengths in the rollers to stretch the dough into sheets 140mm/5.5" wide. Chrome steel.

**SMFC01\*\***

FETTUCCINE CUTTER



With this accessory it is possible to cut fettuccine 6mm/0.23" wide. Chrome steel.

**SMTC01\*\***

TAGLIOLINI CUTTER



A useful tool to very easily produce tagliolini 1,5mm/0.06" wide. Chrome steel.

**SMSC01\*\***

SPAGHETTI CUTTER



With the spaghetti attachment, it is possible to transform fresh sheets into spaghetti just 2mm/0.08" in diameter. Chrome steel.



**SMPC01\*\***

PASTA ROLLER AND CUTTER SET



3-part set: pasta roller, tagliolini cutter, and fettuccine cutter. Chrome steel.

**SMMG01\*\***

ALUMINIUM ALLOY MEAT GRINDER



It may be used for mincing and grinding meat in 3 different thicknesses. It can be also used to stuff sausages or to make kebbe or rice balls thanks to the specific accessories included.

**BGF01**

BOTTLE TO GO



600 ml/20 OZ BPA-free Tritan Bottle, suitable for BLF01

**TSSR02\*\***

2-PIECE SANDWICH RACKS



Suitable for TSF02

**TSBW02\*\***

BUN WARMER



Suitable for TSF02

**TSSR01\*\***

2-PIECE SANDWICH RACKS



Suitable for TSF01 and TSF03

**TSBW01\*\***

BUN WARMER




Suitable for TSF01 and TSF03


\*The standard accessories are included in the package for the SMF01 models, but can also be ordered separately.

\*\*Optional accessories can be purchased separately.


# *Glossary*


# Generic


 Easy to use touch controls allow the appliance to be programmed at the touch of a button.


 Child lock, some models are fitted with a device to lock the program/cycle so it cannot be accidentally changed.


**A B A+** Energy efficiency class A+ helps to save up to 10% energy compared to class A. Maximum performance with minimum consumption is guaranteed.

 Eco-logic option allows to save energy reducing the power limit of the appliance.

 Anti-fingerprint stainless steel keeps stainless steel looking as good as new.

 Illuminated controls are a safety device to alert the user that the appliance is on as well as being a stunning design feature.

 LED display: for optimal control and ease of use.

 LCD display: For superior control and ease of use.

**A+** Energy efficiency class A+ helps to save up to 20% energy compared to class A. Maximum performance with minimum consumption is guaranteed.
















**A++** Appliances with this symbol can reduce energy consumption by a further 30% from the standard A energy rating.

# Ovens


   Number of glazed doors.


     Number of different cooking levels.


 All glass inner door, a single flat surface simple to keep clean.


          
     


The capacity indicates the amount of usable space in the oven cavity in litres.


 Oven combined with microwave: this oven allows to combine two different ways of cooking (traditional with microwaves). Combined ovens increase cooking opportunities, while providing maximum flexibility of household appliances.


 Combination steam ovens can be used either as a steam oven, or as a traditional oven, or alternatively the two methods can be combined.


 The Descaling function is necessary to remove limestone scale in the tank and to guarantee the perfect functioning of the appliance. The need to make this operation is reported from the appliance itself.

 Compact appliances with a height of 45 cm. Perfect solution to meet the functional requirements of kitchen sets of small height. Available in several types and in different styles.


 Compact appliances with a height of 48 cm. Perfect solution to meet the functional requirements of kitchen sets of small height. Available in several types and in different styles.


 Automatic cooking with 5 preset programs for different types of meat. The cooking time can be changed.


 Automatic cooking with 5 preset programs for different types of fish. The cooking time can be changed.


 Automatic cooking with 5 preset programs for different types of vegetables. The cooking time can be changed.


**ECO** Eco: The combination of the grill, fan and lower element is particularly suitable for cooking small quantities of food.

 Allows to maintain temperature inside the oven with 2-3 °C of precision. This enables to cook meals that are very sensitive to temperature changes, such as cakes, souffles, puddings.


 Automatic cooking with 5 preset programs for different types of meat. The cooking time can be changed.


 Cool door: thanks to the combination of tangential cooling and internal heat-reflecting glasses, the temperature on the outer surface of the door is maintained below 50 °C. In addition this system protects the sides of the furniture from overheating of the oven, providing safety.

 Cooking with the simultaneous use of the circular heating element in combination with fan and steam supply.


 Gas ovens offer instantaneous heat control, reduced cooking times and the ability to bake at much lower temperatures than electric ovens.


 Rotisserie works in combination with a grill that provides an even browning of food.


 Circogas can also be used in conjunction with the rotisserie.


 This symbol adds the fan to the rotisserie to distribute the heat quickly and evenly.


 Gas burner only: can also be used in conjunction with the rotisserie.


 Grill element: usage of grill gives excellent results when cooking meat of medium and small portions, especially when combined with a rotisserie (where possible). Also ideal for cooking sausages and bacon.


 Grill element/Half grill: for rapid cooking and browning of foods. Best results can be achieved by using the top shelf for small items, the lower shelves for larger ones, such as chops or sausages. In half grill heat is generated only at the centre of the element, ideal for small quantities.


 Dough leavening: constant temperature at 40 °C provides the perfect environment for leavening of dough containing yeast. Simply select the function and place dough in the cavity for the indicated time.


 Cooking at low temperatures.


 Microwave energy reduces cooking times drastically and produces notable energy savings.


 Microwave: penetrating straight into the food, microwaves cook very quickly and with considerable energy savings. Suitable for cooking without fat, they are also able to thaw and heat food without altering its original appearance and aroma. The microwave function can also be combined with conventional functions with all the resulting advantages. Ideal for all types of food.


 To achieve a combined cooking with grill that cooks the outside whilst assuring an internal cooking thanks to the microwave function.


 Pyrolytic cleaning cycles can be selected to automatically clean the oven interior.

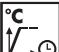
 Setting this function the oven carries out a pyrolytic cycle at a temperature of 500°C for two hours. To be used when the cavity is not excessively dirty.


 To guarantee the optimal functioning of the appliance, it is suggested to carry out the tank cleaning roughly once every 2-3 months.


 The Vapor Clean function makes easier the appliance cleaning thanks to the steam, generated inserting a small quantity of water inside the cavity.


 Some ovens have an exclusive "Pizza" function which provides direct contact of the refractory stone for cooking pizza with the low heating element. This allows cooking pizza in just 3-5 minutes, depending on the filling. This function is ideal also for cooking pies, baked fish and vegetables.


 Option to warm dishes and to keep the prepared meals hot.


 The rapid preheat function can be used to reach the selected temperature in just a few minutes.


 The inner door glass can be removed with a few quick movements for cleaning.


 Lower heating element only: ideal for foods that require extra base temperature without browning, e.g. pastry dishes, pizza. Also suitable for slow cooking of stews and casseroles.


 Circulaire with upper element or grill: similar to fan with upper element with the added cooking speed of circulaire, ideal for dishes with a crispy topping. When used with the grill the food will brown more quickly.


 Regenerating reheat: this function allows to reheat food that has already been cooked and conserved in the fridge.


 This function allows you to cook food during the Sabbath, the holiday of rest in the Jewish religion, respecting the precepts. The oven works without any time limitations. After you set this option, you can change any parameter in the oven and the lamp, the fan and the light of the knobs are turned off. Remains active only the knob to turn it off.


 The SmartSense cooking system allows the user to customise their dish with a few simple steps.


 Snowflake: with the switch on of this symbol, no heating is possible even if the thermostat is turned.


 The circulation of air enables quicker thawing of frozen food, without the use of any heat. The microwaves power will be automatically varied to achieve the best thawing results.


 The circulation of air enables quicker thawing of frozen food, without the use of any heat. The defrosting time will be calculated based on the food's type and weight and the microwaves power will be automatically varied to achieve the best thawing results.


 Manual steam function. Adjustable cooking temperature and duration depending on user's wish.


 Steam cooking: it's a natural way of cooking for any kind of products, from vegetables to desserts, to preserve the nutritional and organoleptic properties of ingredients. Ideal for cooking without fat, to heat up food without drying. Steam is ideal for simultaneous cooking of meals that require different cooking times.


 Telescopic rails allow you to pull out the dish and check it without having to remove it from the oven entirely.


 Fan combined with traditional cooking, where heat is generated from above and below, provides uniform heat. Adding the microwave function allows the same cooking results in less time.


 The elements combined with the fan aim to provide more uniform heat, a similar method to conventional cooking, so pre-heat is required. Most suitable for items requiring slow cooking methods.


 Circulaire with upper element or grill: similar to fan with upper element with the added cooking speed of circulaire, ideal for dishes with a crispy topping. When used with the grill the food will brown more quickly.


 Circulaire with lower element: the addition of the lower element adds extra heat at the base for food which requires extra cooking.


 Circulaire: the combination of the fan and the circular element gives a hot air cooking method. This provides many benefits including no preheat if cook time is more than 20 minutes, no flavour transfer when cooking different foods at the same time, less energy required, and shorter cooking times. Good for all types of food.


 Circogas: the fan is added to the gas burner to distribute the heat quickly and evenly throughout the oven capacity, avoiding flavour transfer when cooking a number of different dishes at the same time.


 Fan with grill element: the fan reduces the heat of the grill, providing an excellent method of grilling various foods (chops, steaks, sausages etc.) giving even browning and heat distribution, without drying out the food. The top two levels are recommended for use, while the lower part of the oven can be used to keep items warm at the same time. An excellent facility for cooking a grilled breakfast. Half grill (centre portion only) is ideal for small quantities of food.

 To achieve a combined cooking with ventilated heat that cooks in short time thanks to the rotation of the warm air and the microwave.


 The fan reduces the heat from the grill, providing an excellent method of grilling various foods, chops, steaks, sausages etc. giving even browning and heat distribution, without drying out the food. The top two levels are recommended for use, while the lower part of the oven can be used to keep items warm at the same time. An excellent facility when cooking a grilled breakfast.


 Circulaire fan with upper and lower elements (Turbo): the use of the fan with both elements allows food to be cooked quickly and effectively, ideal for large pieces that require thorough cooking. It offers a similar result to rotisserie, moving the heat around the food instead of moving the food itself, enabling any size or shape to be cooked.

 Roof liner: this is a perfect solution that protects the upper part of the cavity of the oven from grease and cooking residues. Easy to remove for cleaning, it can be washed in the dishwasher.


 Upper and lower element only: a traditional cooking method best suited for single items located in the centre of the oven. The top of the oven will always be hottest. Ideal for roast, fruit cakes, bread etc.

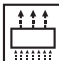
# Microwave Ovens


 Double glazed doors are featured on several Smeg appliances.

 Number of different cooking levels.


 The capacity indicates the amount of usable space in the oven cavity in litres.


 Surfaceplus ceramic base: the complete base of the microwave can be used for cooking, so no turntable is required.


 Air cooling system to ensure a safe surface temperature.


 The combi-microwave ovens, besides the traditional cooking methods, permit to combine two systems (traditional with microwave), increasing the cooking functions and guaranteeing more flexibility.


# Coffee Machines


 An automatic device for making cappuccino that will whisk milk in a delicate foam directly into the cup.


 You can prepare the following types of coffee: Ristretto-Corto (small portion) / Normale (medium portion) / Lungo (large portion).


 You can use ground coffee or coffee beans in the coffee machine with the possibility to adjust the coarseness of grind.


 You can use coffee beans in the coffee machine with the possibility to adjust the coarseness of grind.

 Steam function: device for milk whisking in a delicate form.


 The coffee temperature is adjustable on 3 levels.

 Coffee machine will automatically switch off if it is remained inactive for 1 hour, to save energy. The time after which there is an automatic shutdown, can be changed.


 It is possible to program automatic switch on of the machine to make it ready for use by the required time.

 There is an automatic rinsing with hot water when the coffee machine is switched on.

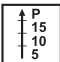
 Coffee machine can make hot water for tea or other hot drinks.


 The Descaling function is necessary to remove limestone scale in the tank and to guarantee the perfect functioning of the appliance. The need to make this operation is reported from the appliance itself.


# Hobs


 Power booster option allows the zone to work at full power when very intense cooking is necessary.


 Heavy duty cast iron pan stands for maximum stability and strength.


 With the "Quick Start" option cooking begins at the highest heating level, then it is automatically reduced. This cooking option is suitable for dishes that should be quickly boiled and then continued to be cooked without constant control (eggs, beef broth).


 Time elapsed shows how long the cooking zone has been in use.


 Evershine is an invisible coating that makes the effected area highly resistant to heat.


 Models of sinks which are integrated flush with the tabletop of a kitchen unit.

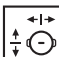
 The giant zone offers extra space and flexibility.


 The base of the hob is made of glass ceramic. Heating is performed by the heating elements Hi-Light.


 Keep warm function keeps the cooked food heated. In this mode the heating zone operates at the minimum capacity for 120 minutes and then turns off automatically.


 The safety system that automatically turns off the hob in case of overheating of the control unit.


 The work of these hobs is based on the principle of electromagnetic induction. The heat is generated directly in the bottom of the pan during its contact with the hob.

 Multizone allows several pans to be used at once, large or small, offering freedom of placement and more flexibility.

 The special overflow protection shuts down the stove in the presence of over flow of liquids.


 Quick Start function: the chosen temperature is reached faster. The heating element works at maximum power until the right temperature is reached.

 After the glass ceramic hob is switched off the residual heat indicator shows which of the heating zones still remains hot. When the temperature drops below 60 °C, the indicator switches off.


 Installation of sink with 3 mm edge. Suitable for kitchen sets in a minimalist style.

 Ultra low option is ideal for melting chocolate or butter or simply to keep food warm.

 Traditional installation in tabletop, suitable for any kitchen sets.

 All ceramic hobs have a timer which automatically ends cooking after a preset time.

 Powerful ultra rapid burners offer up to 5 Kw of power.

 Directional burners have an almost vertical flame which transfers real power to the pot.

# Cookers



Number of glazed doors.



Number of cooking levels.



All glass inner door, a single flat surface, simple to keep clean.



The capacity indicates the amount of usable space in the oven cavity in litres.



Power booster option allows the zone to work at full power when very intense cooking is necessary.



Heavy duty cast iron pan stands for maximum stability and strength.



Circulaire: the combination of the fan and circular element around it gives a hot air cooking method. This provides many benefits including no preheat if cook time is more than 20 minutes, no flavour transfer when cooking different foods at the same time, less energy, and shorter cooking times. Good for all types food.



Eco Circulaire: Some cooker models have Eco Circulaire in place of Circulaire but the 2 functions work in the same way. This is the most energy efficient standard oven function for the cooker.



Circulaire with lowest element: the lower element adds extra heat at the base for food which requires extra cooking.



Circulaire with upper and lower elements (Turbo): the use of the fan with both elements allows food to be cooked quickly and effectively, ideal for large pieces that require thorough cooking. It offers a similar result to rotisserie, moving the heat around the food, instead of moving the food itself, enabling any size or shape to be cooked.



Pizza function (fan + grill + lower heating element): fan combined with grill and lower heating element ensures even cooking of also very sophisticated dishes. At this mode, you can quickly cook pizza, bake muffins, cakes and cookies.



Some models of gas cookers have convection that allows cooking different meals simultaneously without mixing odors. Convection also provides more uniform cooking and reduces the cooking time.



Eco: The combination of the grill, fan and lower element is particularly suitable for cooking small quantities of food.



Allows to maintain temperature inside the oven with 2-3 °C precision. This enables to cook meals that are very sensitive to temperature changes, such as cakes, souffles, puddings.



All glass inner door, a single flat surface simple to keep clean.



Grill with fan: fan mitigates the strong heat from the grill and evenly distributes it in the ovens. Ideal for cooking large pieces of meat.



Pizza function (fan + grill + lower heating element): fan combined with grill and lower heating element ensures even cooking of also very sophisticated dishes. At this mode, you can quickly cook pizza, bake muffins, cakes and cookies.



Fan with central grill element: the fan reduces the strong heat from the grill, providing an excellent method of cooking various foods (chops, steaks, sausages etc.) giving even browning and heat distribution, without drying out the food. The top two levels are recommended for use, while the lowest part of the oven can be used to keep items warm at the same time. An excellent facility when cooking a grilled breakfast. Half grill (centre portion only) is ideal for cooking small quantities of food.



Powerful ultra rapid burners offer up to 5 Kw of power.



Fan with lowest element: this combination is ideal to cook more quickly foods that are ready on the surface, but require more cooking inside, without further browning.



Fan with upper and lower elements: the elements combined with the fan aim to provide more uniform heat, a similar method to conventional cooking, so pre-heat is required. Most suitable for items requiring slow cooking methods.



This function is used in the oven to defrost products without cooking them (temperature 40 °C). Defrost occurs due to the work of the upper heating element in combination with the fan.



Gas ovens offer instantaneous heat control, reduced cooking times and the ability to bake at much lower temperatures than with electric ovens.



Some models of gas cookers have convection that allows cooking different meals simultaneously without mixing smells. Convection also provides more uniform cooking and reduces the cooking time.



The giant zone offers extra space and flexibility.



The base of the hob is made of glass ceramic. Heating is performed by the heating elements Hi-Light.



Grill: Using of grill provides excellent results when cooking meat of medium and small portions, especially when combined with a rotisserie (where possible). Ideal also for cooking sausages and bacon.



Half grill: heat is generated only at the centre of the grill element, so it's ideal for small quantities of food.



Rotisserie: This symbol allows the use of the rotisserie with full or half grill.



Induction: the work of these hobs is based on the principle of electromagnetic induction. The heat is generated directly in the bottom of the pan during its contact with the hob.



Two opposite side lights increase visibility inside the oven.



Lowest heating element only: ideal for foods that require extra base temperature without browning, e.g. pastry dishes, pizza, etc. Also suitable for slow cooking of stews and casseroles.



An option for dish warming and keeping the prepared meals hot.



Pyrolysis: oven is heated up to the temperature of 500 C, destroying all grease inside the cavity. Program duration is 3 hours.



After the glass ceramic hob is switched off the residual heat indicator shows which of the heating zones still remains hot. When the temperature drops below 60 °C, the indicator switches off.



Rotisserie: the rotisserie (where installed) works in combination with the grill element whilst constantly turning the food.



Fan: fan to distribute the heat quickly and evenly.



Air cooling system to ensure a safe surface temperature.



Telescopic rails allow to pull out the dish and check it without having to remove it from the oven entirely.



Upper and lower element only: a traditional cooking method best suited for single items located in the centre of the oven. The top of the oven will always be hottest. Ideal for roasts, fruit cakes, bread etc.



Vapor Clean, a simple cleaning function using steam to loosen deposits in the oven cavity.



This is a perfect solution that protects the upper part of the cavity of the oven from pollution. Easy to remove for cleaning, it can be washed in the dishwasher.

# Hoods



Provides a continuous air for 10 minutes every hour, for a period of 24 hours, at the minimum speed and with an imperceptible noise.



Product energy rating, measured from A to D/G depending on the product family.



Model has filters to help removing grease from the steam emanated from the pans during cooking.



Electronic display to give a visual reminder of the selected options.



All cooker hoods feature lights to illuminate the cooking area or to add to the ambience of the kitchen.



Perimeter extraction panels, aid to reduce the noise.



A special setting, to run after the end of cooking for a pre-set time and then switch off automatically.



Easy to use touch controls allow the appliance to be programmed with the touch of a button.



Intensive/turbo setting, when extra fast extraction is required.



Warning light(s) to advise when filters need to be changed.

# Cooling



4 stars freezing compartment for better food preservation.



This unique Active Fresh Blue lighting system works with nature to increase the storage time of fruit and vegetables.



Forced distribution of cold air in the refrigerator compartment, which allows even temperature distribution within the fridge.



The automatic defrost system works by automatically defrosting at regular intervals eliminating the need to defrost altogether.



Product energy rating, measured from A to D/G depending on the product family.



Economical mode: analyzes fridge functioning and optimizes the operating cycle in order to reduce power and consumption.



The fast freezing function brings the temperature of the compartment down when activated a few hours before the usage.



An innovative lighting system increases the shelf life of fruit and vegetables, longer preserving their vitamins content.



The power saving mode allows to disable the refrigerator while keeping the freezer working.



LED interior lighting is a more energy efficient and long lasting way of illuminating the interior of the appliance.



LED display: to optimize performances and simplify the maximum use.



The temperature in the Lifeplus compartments is kept at 0°C, which preserves fresh meat and fish longer.



Air plus keeps food fresh for longer.



Multizone compartment can be used as a refrigerator or as a freezer compartment. Depending on your needs and eating habits, you can select settings and program the temperature using the external display.



The No Frost and Frost free systems prevent the refrigerator from forming ice, so that no defrosting is required.



Remote control via SmegConnect App. The wine cooler has Wi-Fi connectivity.

# Freezers



4 stars freezing compartment for better food preservation.



The fast freezing function brings the temperature of the compartment down when activated a few hours before the usage.



LED interior lighting is a more energy efficient and long lasting way of illuminating the interior of the appliance.

# Dishwashers



Number of plate settings of the dishwasher.



Some Smeg dishwashers are equipped with a simple Acquastop: float sensor in the bottom necessary to prevent an accidental leakage of water inside the appliance.



Some Smeg dishwashers are equipped with a simple Acquastop: float sensor in the bottom necessary to prevent an accidental leakage of water inside the appliance.



Most models of Smeg dishwashers are equipped with Acquastop Totale, which allows to avoid flooding as a result of water leakage. The system consists of a float sensor, disposed under the inner chamber of the dishwasher, which blocks water supply inside the appliance in case of water leakage into the lower tray. An additional electromagnetic valve in the water inlet hose also automatically blocks water supply if detecting water leakage in the hose.



Active Light is a led light which projects a red spot on the floor beneath the dishwasher when the appliance is in use.



Some models of dishwashers are equipped with special polymer nozzles Rompi-Goccia, that improve the process of drying.



Aquatest measures the clarity of the water during an auto program, and automatically ensures the minimum consumption of water and energy.



The auto program regulates the length of a cycle depending on the need for a pre-wash and the number of rinses required.



The auto program regulates the length of a cycle depending on the need for a pre-wash and the number of rinses required.



Program Auto 60 °C is designed for heavily soiled mixed dishes.



The crystal cycle is designed especially for glass ware and for delicate dishes with light dirt.



The daily program is suitable for daily washing of dishes.



The daily program is suitable for quick daily washing of dishes.



The delay timer can postpone the start of the program by up to 24 hours.



Delicate washing program is designed for delicate dishes which are not heavily soiled.



Program Delicate Quick is suitable for quick washing of delicate dishes.



The program is specially designed for warming-up dishes: clean dishes are rinsed with hot water and dried.



Convenient EasyGlide system for easy unloading of the appliance that allows reaching maximum flexibility of load of the machine.



Eco, this economic wash program uses a low amount of water and energy in order to provide the most ecofriendly cleaning option.



At the end of the drying cycle a special device slowly automatically opens the door a few centimeters, to ensure perfect drying and to save up to 20% of energy on some models.



The dishwasher (60 cm. wide) can be installed in column.



The Planetarium Wash System with its innovative double simultaneous motion of the spray arm, provides maximum coverage within the dishwasher. The rotation speed is approximately 65 rpm giving the best wash results available.



The FlexiDuo 3rd cutlery basket allows to arrange cutlery or small cups, ladles, or bulky utensils however you like: it consists of two separate and moveable modules.



Flexitabs adjusts the wash cycle to give the best possible results regardless of the type of detergent used.



The new 1/2 load FlexiZone allows to wash a reduced load saving energy, water and time and there are no restrictions on where the items are placed. Traditional half loads allow only one of the baskets to be used. Flexi-Zone can be found on most dishwashers, as either an option or a program, depending on the model.



The glass PRO program is dedicated to wash glasses.



This program is designed for washing dishes not heavily soiled with partial load of the dishwasher.



The hyclean option performs a final 10 minutes rinse at a high temperature of 70 °C, eliminating virtually all bacteria.



The Intensive program is recommended for heavily soiled pots or pans and dry residues to be washed quickly.



The normal program, suitable for normal degrees of dirt for everyday use.



Program Normal Quick is suitable for quick washing of mixed dishes, for everyday use.



Orbital washing system distributes water evenly throughout the 60cm dishwasher cavity, directing water with precision to ensure an excellent wash.



Option Professional enables to convert household appliances into semiprofessional ones due to the programs which significantly reduce washing time to obtain an astonishing 16 minutes cycle.



The quick time option can reduce the duration of the washing cycle up to 55%.



The quick time option can reduce the duration of the washing cycle up to 55%.



A new quick program which takes just 27 minutes, suitable for a lightly soiled load.



Low noise level is achieved thanks to the exceptional insulation and specially designed devices that mute the sound generated during the dishwasher operation.



The soak program provides a rinse to prevent dirt from drying.



The Strong & Fast program takes less than 1 hour to eliminate the most stubborn dirt and dried on residues.



The super program is suitable for removing stubborn dirt.



The super program is suitable for removing stubborn dirt.



The Swing Wash system ensures optimum water distribution throughout 45cm dishwashers to deliver excellent washing results.



The program is specifically for Ultra Fast. It wash very quickly (16 min.) pots and pans very dirty, even with dried residues.



The Universal program is suitable for washing normally soiled tableware, even with little residue dried.



System WaterSave ensures the best washing results with minimal water consumption, depending on the model of dishwasher.

System WaterSave ensures the best washing results with minimal water consumption, depending on the model of dishwasher.



# Washing Machines & Washer Dryers



Kg of dry laundry.



large loading hatch of 30-34 cm in diameter, makes laundry loading and unloading easier and faster with maximum ease of use.



Total aquastop, the product is built with 3 levels of anti-flood devices to ensure protection against water leakage.



Antiallergic program with particular attention to the total removal of residual detergent.



Automatic Load Balancing: provides an ideal distribution of laundry in the drum. If the imbalance is detected, the rotation speed starts being controlled in such way to evenly redistribute laundry in the drum, and thus reduce vibration.



Product energy rating, measured from A to D/G depending on the product family.



Specific program for washing the curtains.



Daily: useful program to wash lightly soiled garments quickly.



Delay timer, can be set to run the program at a convenient time or to take advantage of off-peak energy periods.



Direct motion: electronic management ensures maximum performance at any spin speed, along with more silent operation and greater safety when washing delicate items, thanks to a significant reduction in vibration. For models with 11 kg load capacity.



The amount of laundry that can be put in the tumble dryer.



The FlexiTime option allows to reduce the time of the cycle selected, providing extra flexibility and control.



Hand wash, this specific program for delicate fabrics uses slower rotations of the drum to ensure the utmost care for clothing.



Inverter technology: The evolution of Smeg's dryers towards more intelligent and environmentally sustainable models has led to the choice of using Inverter technology with heat pumps, which reduces significantly energy consumption.



Jeans: a washing cycle which is kind to the colour and fabric of denim whilst minimising wrinkles.



Mixed fabrics, this cycle is designed for lightly soiled laundry in a mix of cottons and synthetics, or can be used just to refresh stored items.



Night: an ideal program for those who want to take advantage of off-peak energy periods, this cycle is particularly quiet due to slower rotations of the drum.



Prewash: program designed for heavily soiled garments.



Duvet: gentle cycle specific for duvet.



Super fast: a program designed to wash fast small amounts of laundry, ideal for washing lightly soiled garments.



Super fast 14 min: a program designed to wash small amounts of laundry fast, ideal for washing lightly soiled garments.



Super fast 15 min: a program designed to wash small amounts of laundry fast, ideal for washing lightly soiled garments.



Extra Rinse: adds an extra rinse cycle to the one already provided in the program chosen, to remove any residual detergent. This function is particularly suitable for who suffers of allergies or skin problems.



Shirts, a cycle to wash shirts in a short time with the utmost care, using a delicate spin for easy ironing.



On the control panel there is a spin speed control knob. In some models, the maximum spin speed is 1400 rpm / min. You can also exclude spin.



Gym, a cycle designed for washing lightly soiled garments, the sports wear, this is a fast wash which is also kind to fabrics.



The steam is perfect for **smoothing out creases, refreshing fabrics, neutralising odours and releasing dirt**, destroying allergens more quickly than by washing the item in water.



In all Smeg washing machines is present the system of variable load, according to which the machine automatically diversifies the washing cycle and the time of the operation depending on the quantity and type of laundry introduced, allowing a significant saving of water and energy power, up to 30% compared to the versions with fixed load.



Smeg offers models with load up to 11 kg, while maintaining the best washing results, and providing low energy consumption.



Wool: this programme for wool or delicate fabrics uses slower rotations of the drum to ensure the utmost care for clothing.



Woolmark labelled: the wool wash cycle has been approved by The Woolmark Company for the washing of wool garments labelled as "hand wash" provided that the garments are washed according to the instructions issued by the manufacturer.



This is an option which can be selected to ensure the finished laundry is left with less creases to make ironing easier.



For Washing Machines: The wool wash cycle of this machine has been approved by The Woolmark Company for the washing of wool garments labelled as "hand wash" provided that the garments are washed according to the instructions issued by the manufacturer of this washing machine. Follow the garment care label for drying and other laundry instructions. For Dryers: The wool drying cycle of this machine has been approved by The Woolmark Company for the drying of wool garments labelled as "hand wash" provided that the garments are dried according to the instructions issued by the manufacturer of this machine. Follow the garment care label for other laundry instructions. "In UK, Eire, Hong Kong and India the Woolmark trade mark is a Certification trade mark."

# Dryers



Large loading hatch of 32-40 cm in diameter, makes laundry loading and unloading easier and faster with maximum ease of use.



This is an option which can be selected to ensure the finished laundry is left with less creases to make ironing easier.



Product energy rating, measured from A to D/G depending on the product family.



Baby: a cycle which ensures a high efficiency in the rinse to remove all traces of detergent from the tissues and protect the delicate children's skins.



Delay timer, can be set to run the program at a convenient time or to take advantage of off-peak energy periods.



Clothing such as underwear, hosiery and luxury fabrics should be dried on the delicate cycle to help extend the life of the clothing.



The amount of laundry that can be put into the tumble dryer.



Humidity sensor: allows to adjust dryer to obtain the desired drying level (Iron dry, Cupboard dry and Extra dry), saving time and reducing energy consumption. In addition, manual adjusting allows to program drying time according to your preferences.



Shows the stage at which the program is in progress: the program has finished.



Inverter technology: The evolution of Smeg's dryers towards more intelligent and environmentally sustainable models has led to the choice of using Inverter technology with heat pumps, which reduces significantly energy consumption.



A washing cycle which is kind to the colour and fabric of denim whilst minimising wrinkles.



Internal lights help to illuminate the inside of the drum.



Super fast 30°C: a program designed to wash small amounts of laundry fast, ideal for washing lightly soiled garments.



Super fast 35 min: a program designed to wash small amounts of laundry fast, ideal for washing lightly soiled garments.



Super fast 49 min: a program designed to wash laundry fast.



Refresh: an ideal program to refresh the garments that have been kept for a long time indoors and eliminate unpleasant smells, without having to wash them.



Shirts, a cycle to wash shirts in a short time with the utmost care, using a delicate spin for easy ironing.



Low noise level is achieved thanks to the exceptional insulation and specially designed device that mutes the sound generated during the machine operations.



Gym, a cycle designed for washing lightly soiled garments, as the sports wear, this is a fast wash which is also kind to fabrics.



Shows the phase in which the program is being.



Woolmark labelled: the wool wash cycle has been approved by The Woolmark Company for the washing of wool garments labelled as "hand wash" provided that the garments are washed according to the instructions issued by the manufacturer.

# Sinks



Cupboard width required for sink installation.



Sink depth.



Sink integrated flush with the tabletop of the kitchen unit.



Installation of sink with flat edge.



Installation of sink with 3mm edge. Suitable for kitchen set in a minimalist style.



Traditional installation of sink in tabletop, suitable for any kitchen set.



Sink fixed under tabletop, which extends the work surface and the depth of the sink.

## Quality, Environmental and Occupational Health & Safety Management Systems

All Smeg factories are ISO9001, ISO14001 and OHSAS 18001 certified, ensuring that the highest standards of quality are continually maintained whilst actively responding to all environmental issues relating to manufacture. The materials and components used to produce smeg products undergo strict quality control testing, and care is taken to source recyclable materials wherever possible. These management systems enable Smeg to provide complete assurance that all products meet superior standards whilst respecting the environment. The workforce is not forgotten – the occupational health and safety assessment scheme promotes a safe and healthy working environment, aids legislative compliance and helps improve overall performance.



UNI EN ISO 9001



UNI EN ISO 14001



OHSAS 18001

Whereas every effort has been made to ensure that the information contained in our literature is correct at time of going to print, this brochure should not be regarded as an infallible guide to current specification, nor does it constitute an offer for sale of any particular product. Smeg reserves the right to change specification without notice.



This catalogue is printed entirely on FSC® (Forest Stewardship Council®) certified paper that has been produced with cellulose sourced from forests that are managed responsibly, in accordance with rigorous environmental, social, economic and cultural standards.  
<http://www.fsc.org/>