

Shelving System

The MOEBE Shelving System gives you full freedom to build your own piece of furniture. Build as tall as you like, build as wide as you like, build around corners, or even span different levels. Use as a room divider or simply place against a wall.

As a modular system, Shelving System is built entirely from individual parts. It can be customised and adapted again and again.

All shelves are held in place by 4 wedges in either corner. The combination of the wedges and the smooth legs allows the shelves to be positioned wherever desired, without any limitations.

These instructions cover

- + Shelving System
- + Cabinet
- + Clothes Bar
- + Floor Fixing
- + Ceiling Fixing

Security

We do not recommend to use the Shelving System without securing it to the wall. If doing so please be aware that it is your responsibility to make sure, that it is constructed so it will not fall over.

Please also note, that we do not recommend to place more than 20 kg on each shelf.

Care instructions

When unwrapped it might take 2-3 days for the protective oil to completely dry. Be careful to protect clothing and other materials that can soak up oil during this time.

If any time the wood displays lighter dry patches, we recommend you to apply a thin coat of oil to the furniture with a dean lint-free cloth to nourish the wood. Small cans of pigment-free furniture oil are available from most DIY hardware stores. Do not use oils sold for cooking or eating.

Any spills must be removed immediately using a cloth. Dust can be removed with clamp cloth. Light strains may be removed by gently rubbing in the direction of the grain with 400 grit (very fine) sandpaper and re-oiling afterwards.

Heat and sunlight

Avoid exposing your furniture to excessive heat e.g. by placing it in front of a radiator as this can cause cracking. A minimum of 30cm clearance from heat sources is advised.

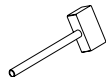
Direct sunlight will cause the colour of real wood to change, even if it is stained or lacquered. This will be particularly apparent if the furniture is placed under eg. a window. Oak will tend to darken in this situation.

Never place hot items directly on to wooden surfaces. Prolongue use of hot electrical equipment, such as a television, on top of furniture, may also cause scorching.

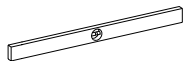
Shelving System



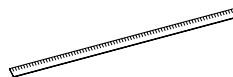
Drill



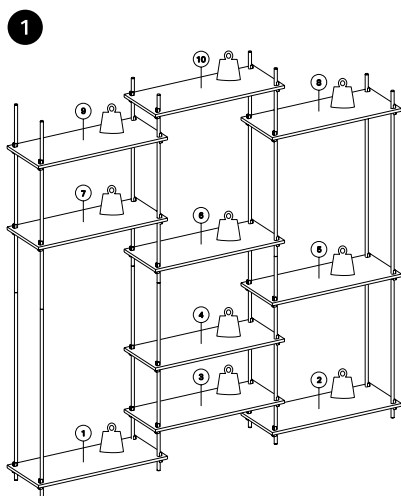
Hammer



Water level



Ruler

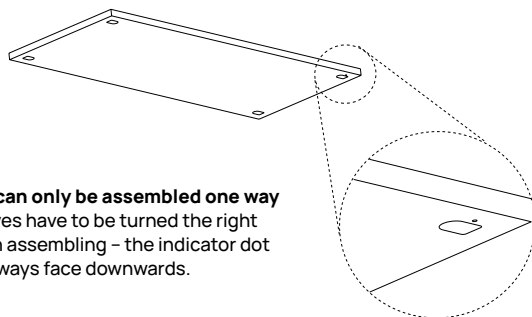


Plan ahead

Carefully plan the placement of the shelves before starting to build your system. Each shelf is designed for a load capacity of up to 20 kg.



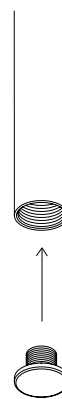
3



Shelves can only be assembled one way

The shelves have to be turned the right way when assembling - the indicator dot should always face downwards.

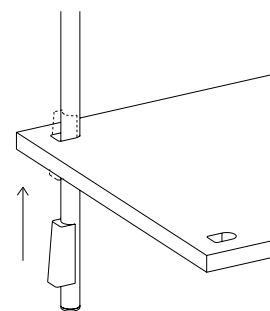
2



Begin with the legs

Insert an end cap into the bottom of each leg. Use a hammer if needed.

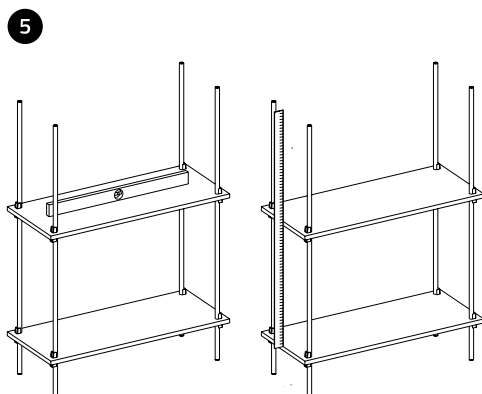
4



Assembling a shelf

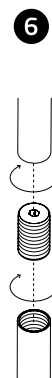
Place the first shelf on the ground and make sure that it is turned the right way. Insert one leg at a time through the holes and lift the shelf to a desired height.

Use the wedges to fix the shelf, tap them a few times with a hammer to secure, repeat this for all four legs. Watch out not to leave any marks. When the first shelf is in place, the assembling gets easier.



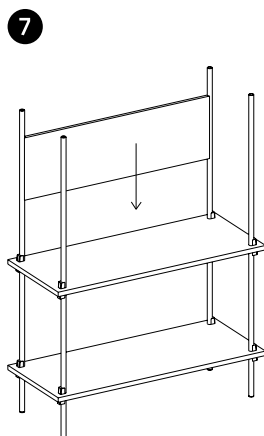
Level the shelves

Make sure the shelves are leveled by using a water level or a ruler.



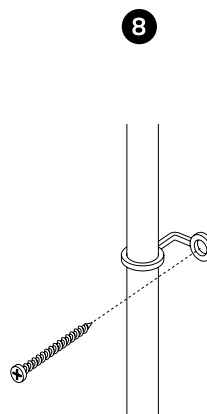
Extending the legs

Screw the connector screws as far into the legs as possible. Add the leg extension by screwing it tight against the lower part of the leg.



Assembling a Backplate

Slide down the backplate between the two legs on either of the long sides. Push it down until it sits on the shelf underneath.

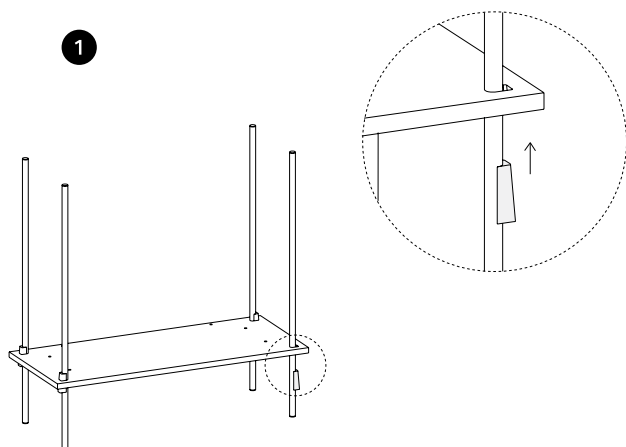
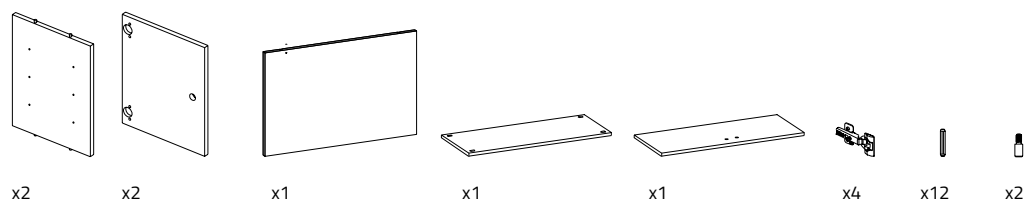


Connecting a Safety Clip

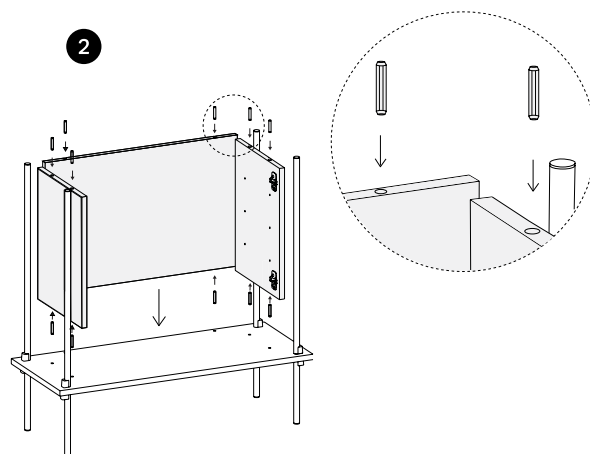
Remember to secure the shelving system to the wall, preventing it from falling over. Slide down the safety clip on the top of the legs that meet the wall, mark where to drill. Use adequate wall plugs suited for your wall type. Fasten the clip with the screw.

Done!

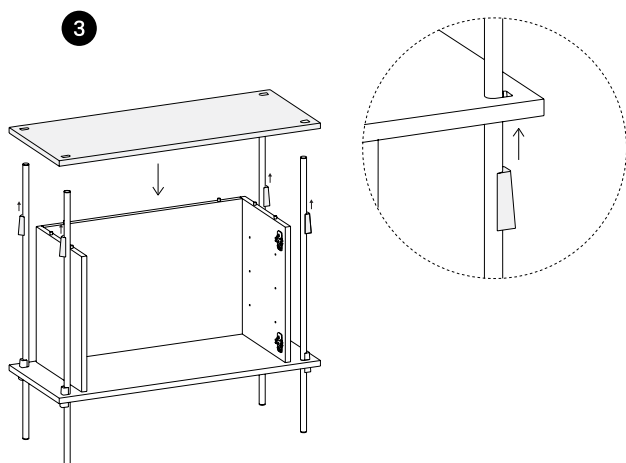
Shelving System Cabinet



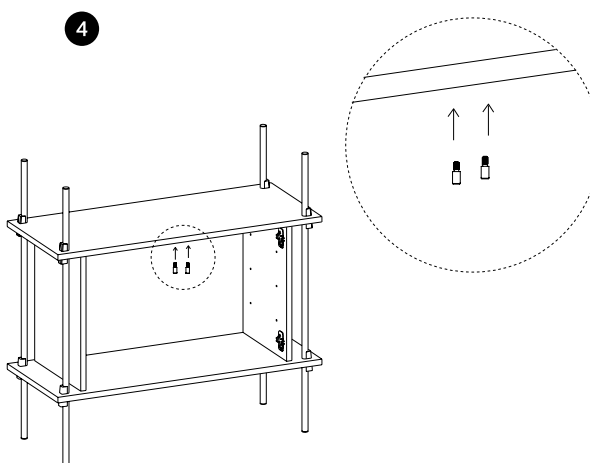
1 Start by placing the bottom shelf at a desired height, fasten it with the wedges. Use a water level and a hammer to make sure it is leveled and secured.



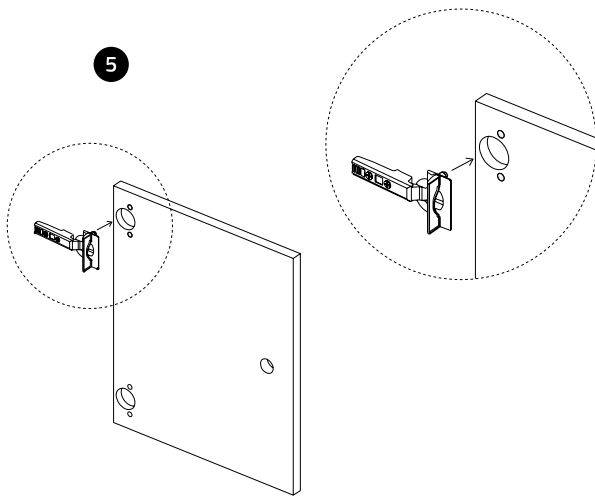
2 Insert the dowels into the holes of the back and side panels. Attach them to the bottom shelf.



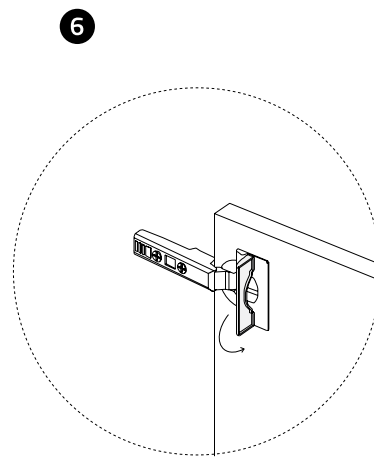
3 Slide down the top shelf until it sits on the dowels of the side panels. Fasten it with the wedges. Use a hammer to make sure it is secured.



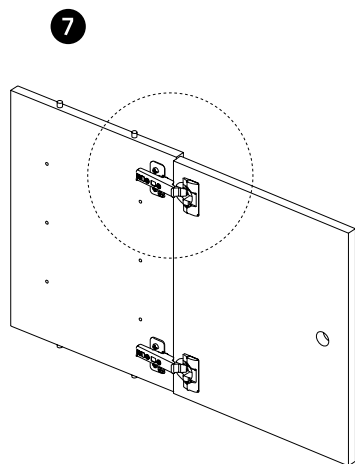
4 Insert the door stoppers by screwing them into the holes of the top shelf.



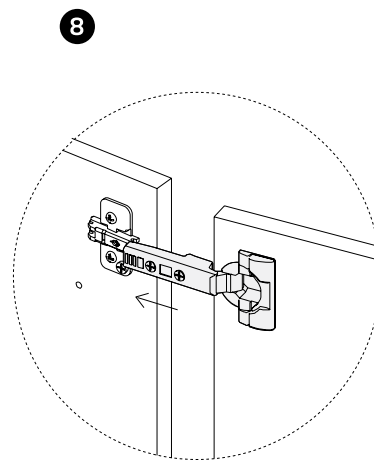
5
Place the hinges in the large holes of the doors.



6
Attach by folding over the metal plate until it clicks into place.

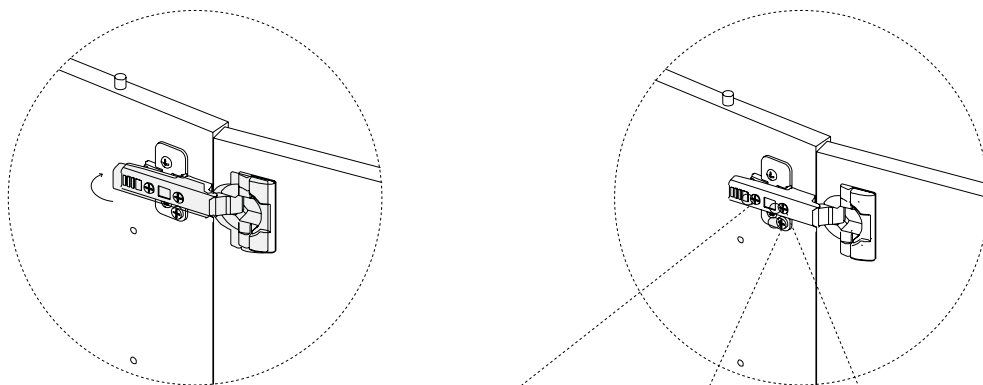


7
Mount the doors onto the side panels of the cabinet.

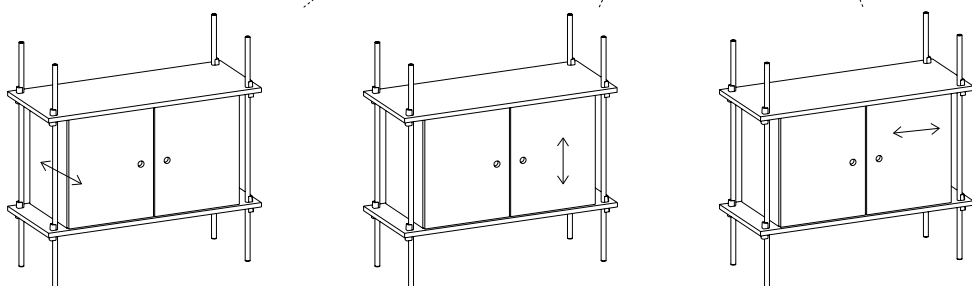


8
Slide the hinge over the metal plate.

9



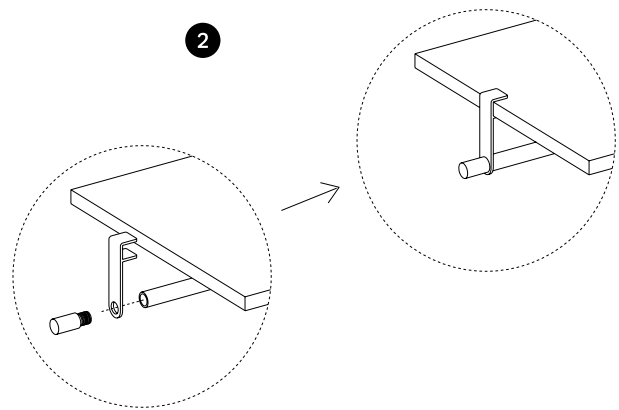
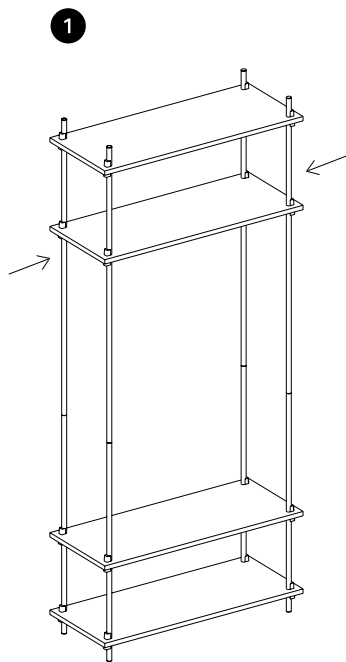
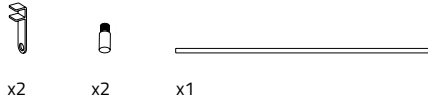
Click it into place.



To adjust the placement of the doors, tighten/loosen these three screws.

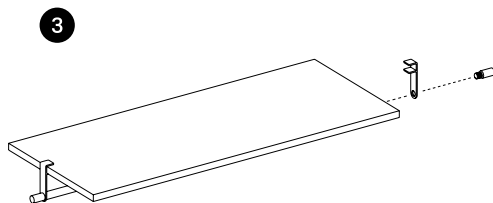
Done!

Shelving System Clothes Bar

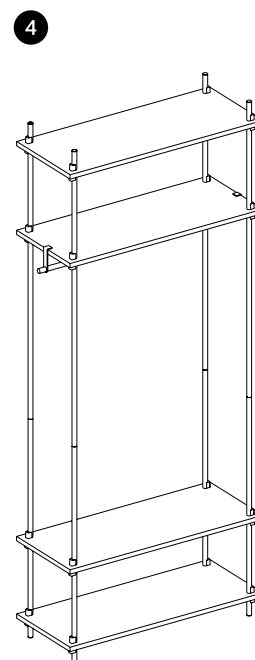


Mount the grabbing piece by pressing it onto one end of a shelf. Place the bar against the hole and fasten it by screwing on the end piece.

The Clothes bar is attached to each end of a shelf.



Repeat step two on the other side of the shelf.



Shelving System Floor Fixing

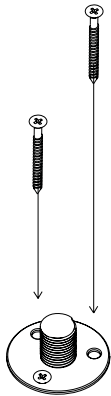


x1

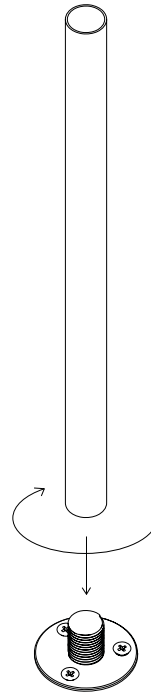


x3

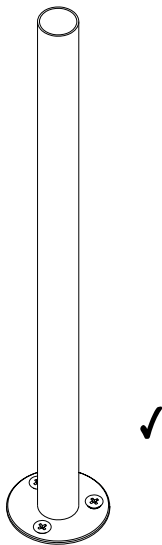
1



2



3



Shelving System Ceiling Fixing

