

## Wall Mirror

Our wall mirrors are frameless mirrors, which are held only by a light wire form. The mirrors are kept simple and allow the materials to speak for themselves.

Wall Mirror is designed to sit on a wall with as little nonsense as possible. Moulded from a single piece of mirror glass held by a light metal wire form. The mirror is suspended from a simple L-hook that is attached to the wall.

The construction of the wire, which only slightly touches the glass, makes the design simple and elegant. These mirrors have a soft and simple expression that fits in both minimalistic and classic environments.

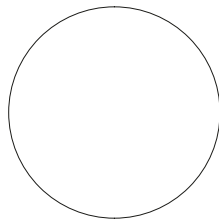
# Wall Mirror



x1



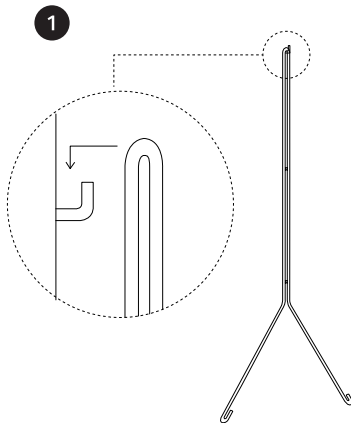
x1



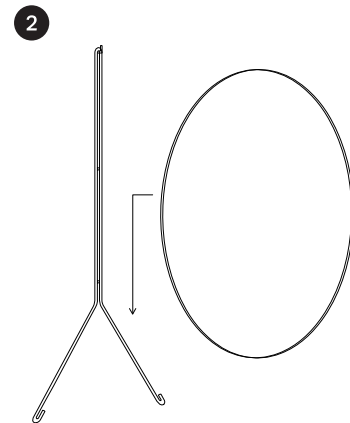
x1



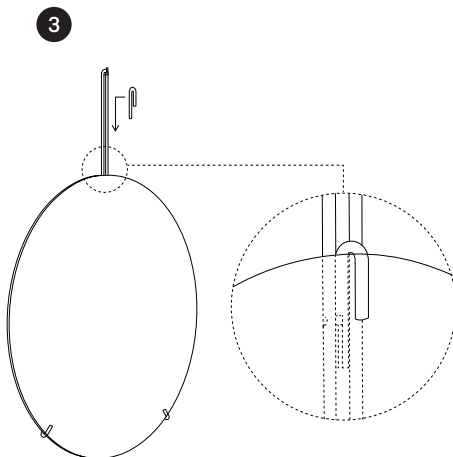
x1



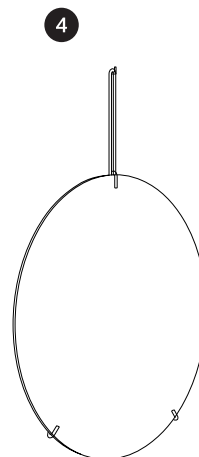
1  
Mount the frame on the wall. Make sure the hook is fastened securely in your wall. Use an adequate wall plug or chose another hook if needed.



2  
Place the mirror in the mounted frame.



3  
Secure the mirror. Make sure the hook catches the L-shaped screw on the back preventing the mirror from falling over.



4  
**Done!**