

Thorvald <sup>SC99</sup>  
Space Copenhagen  
2025





W: 220 cm / 87 in  
D: 90 cm / 35 in

H: 74 cm / 29 in

# Thorvald<sup>SC99</sup> Space Copenhagen 2025

**Product description**  
Outdoor dining table

**Environment**  
Outdoor

**Material**  
Powder-coated steel. This product has not been treated with any biocides

**Production process**  
The legs and crossbar are bent. The feet are milled and the table top is spun and bent on a metal sheet before being welded together. Both pieces are then galvanized and powder-coated.

**Dimensions**  
W: 220 cm / 87 in  
H: 74 cm / 29 in  
D: 90 cm / 35 in

**Weight**  
47.7 kg

**Strength, durability and safety testing**  
EN 15372 Level 2 - Tables  
EN 581 - Outdoor furniture

**Gliders**  
Plastic gliders

**Impact**

- Flat-packed, helping optimise shipping and delivery.
- Framed in solid, power coated steel, highly resistant against corrosion, helping prolong its lifespan.
- Steel is highly recyclable, able to be repurposed in another production cycle, reducing the demand for new material.
- Designed for disassembly, making it easier to repair, renovate, pass on, and responsibly recycle at end of life.

**Manufacturer**  
Produced in PRC by Nine United Limited

**Cleaning Instructions**  
[Please see our Maintenance & Care instructions here](#)

→ **Stock items**  
Warm Black, Bronze Green and Ivory



→ Warm Black



→ Bronze Green



→ Ivory

# &Tradition<sup>®</sup>

# Recycling & Disassembly

Thorvald SC99

## RECYLING

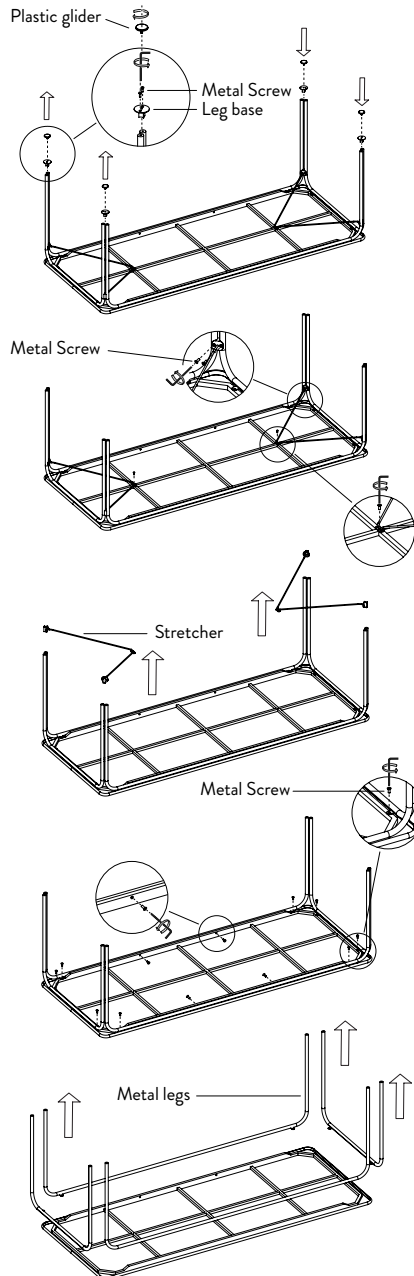
The Thorvald dining table is built to last, and we hope that your Thorvald will serve you for many years. The table is made out of metal can be easily separated into its components. All metal parts can be delivered to a suitable recycling station.

## SPARE PARTS

To purchase spare parts for your Thorvald table, please write to our sales support team at [info@andtradition.com](mailto:info@andtradition.com) with your query.

## 5 YEAR WARRANTY

&Tradition provides a 5-year warranty with every Thorvald table, which covers faults which were present at the time of purchase, or which have occurred as a result of a manufacturing defect. The warranty is valid from the date stated on the original invoice.



## DISASSEMBLY

1. Place the table upside down on a clean, flat surface. Remove the plastic gliders by unscrewing them counterclockwise. Next, unscrew and remove the two screws from each leg base. Finally, detach the leg bases.

2. To unfasten the legs, remove all screws from the stretchers and slide them off to the top.

3. Finally, remove all the screws connecting the legs and tabletop afterwards and separate the parts.