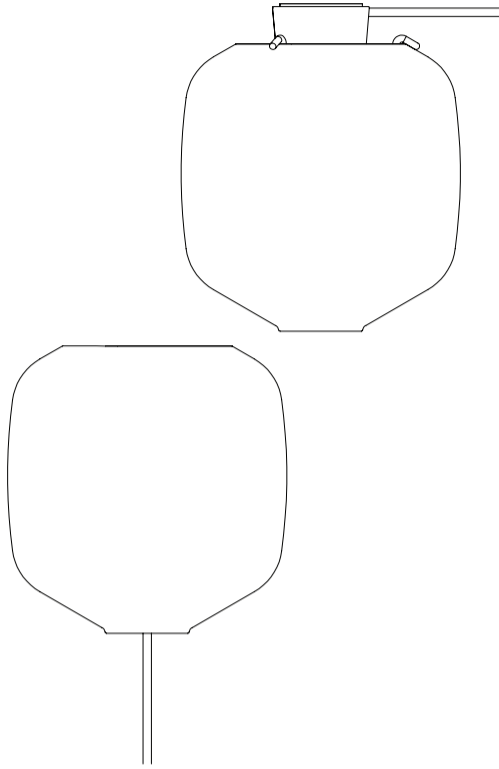




# BUOY GLASS LAMP COLLECTION



You can also find the same information here [hay.dk/downloads](https://hay.dk/downloads)

You can find more relevant information on Buoy Glass Lamp Collection by scanning the QR code



Please find our Care & Maintenance guide by scanning the QR code



Our Care & Maintenance offers guidance for optimal maintenance of your HAY product. It includes advice and instructions on cleaning and caring for specific materials to prolong the life of your lighting.

The product can be cleaned with a soft damp cloth and mild detergent, or a dry microfibre cloth. Do not use alcohol or any other solvents to clean the product and avoid using abrasive or rough sponges. Ensure that the power supply has been turned OFF before cleaning the product.

- CARE & MAINTENANCE -

- GENERAL INFORMATION -

TECHNICAL DATA

This product is fitted with an E27 (EU) or E26 (US) bulb fitting. HAY recommends using this product with a LED bulb.

FITTING TYPE | LED E27 (EU) or E26 (US)  
POWER (W) | 15W  
COLOUR TEMPERATURE | Warm white

HAY will not accept any responsibility for any accidents, injuries or damages that occur due to the use of incorrect bulbs.

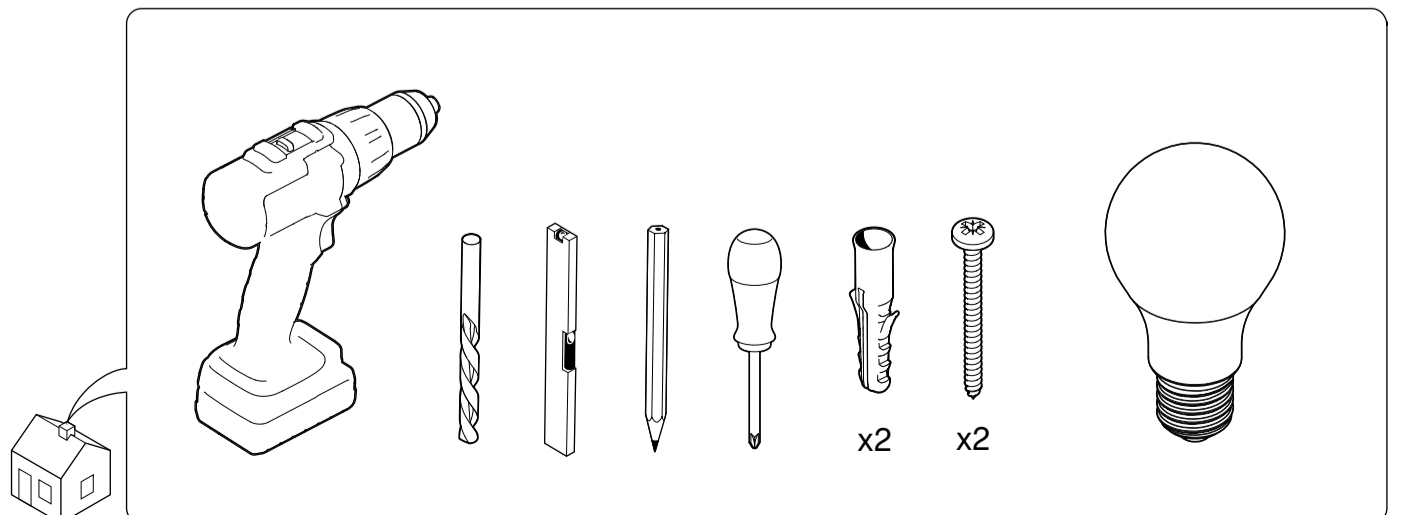
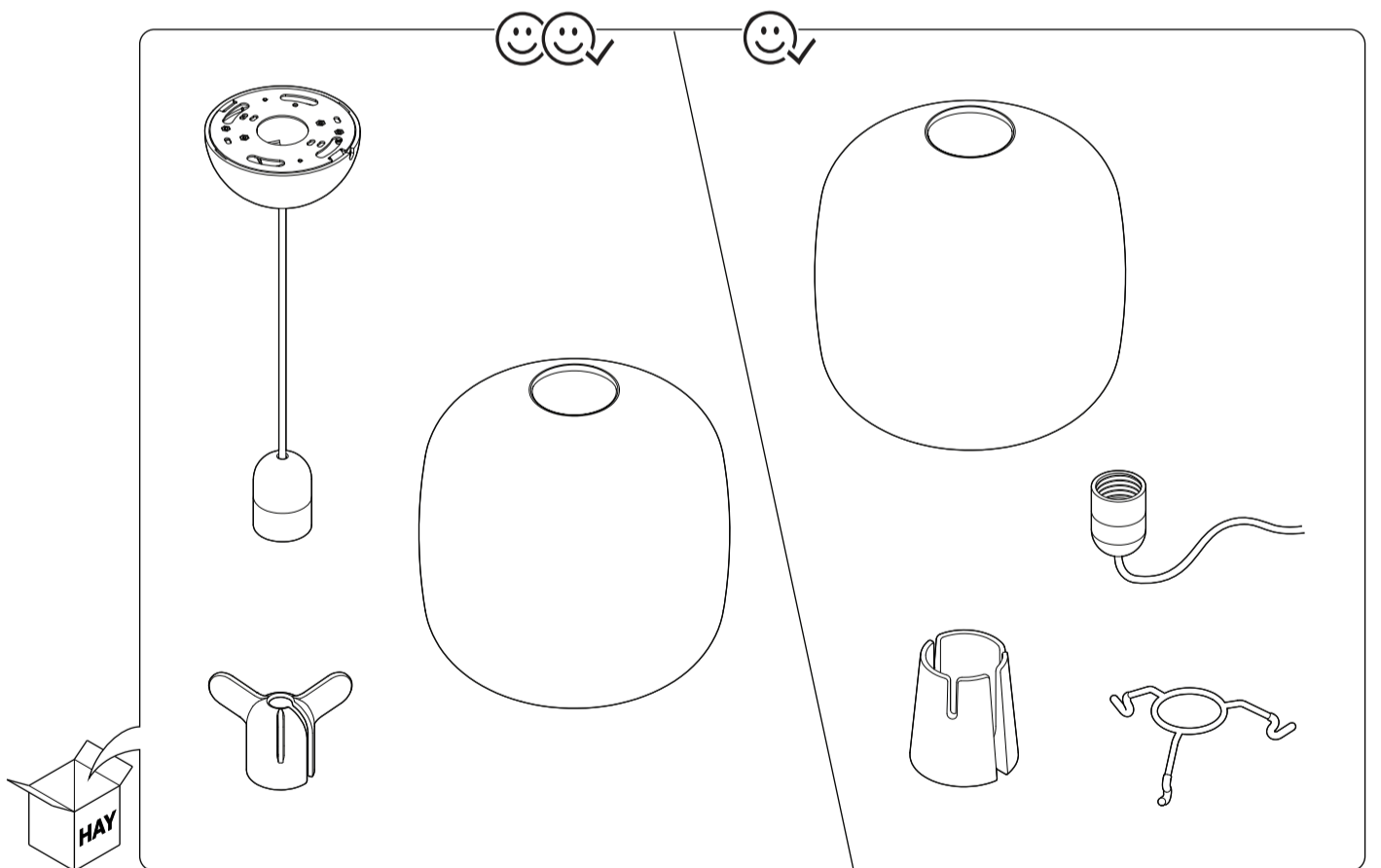
ATTENTION

Ensure that the power supply to the circuit has clearly been turned OFF before installing the product. In some countries, electrical installation must be carried out by authorised electricians/contractors; please check with your local authority for guidance.

As wall materials vary, screws for wall fixation are not included. For advice on a suitable screw system for your wall, contact your local specialised dealer. Wall fixing/hanging must be carried out by a qualified person, since wrong fixation may cause injury or damage.

To reduce the risk of strangulation, the flexible wiring connected to wall mounted luminaires shall be effectively fixed to the wall if the wiring is within arm's reach.

The product must not be modified in any way. HAY accepts no responsibility for any products that have been modified or tampered with. If the external flexible cable or cord of this luminaire is damaged, it should be exclusively replaced by a qualified electrician in order to avoid an electrical hazard. The Collection is designed to be used with HAY Common Cord set only. This lamp is designed for indoor use only.



CONSIGNES DE SÉCURITÉ IMPORTANTES  
Ce produit dispose d'une prise polaire (une lame est plus large que l'autre) afin de réduire le risque de choc électrique. Cette fiche ne peut être installée que dans une direction sur une prise polaire. Si la prise ne s'insère pas complètement dans la prise, retournez la prise. Si cela ne convient toujours pas, contactez un électricien qualifié. Ne pas utiliser avec une rallonge, sauf si la fiche peut être correctement insérée. Ne pas modifier la fiche.

IMPORTANT SAFETY INSTRUCTIONS  
This product has a polarised plug (one blade is wider than the other) as a feature to reduce the risk of electric shock. This plug can only be inserted in a polarised outlet one way, if the plug does not fit fully in the outlet, reverse the plug. If it still does not fit, contact a qualified electrician. Never use with an extension cord unless the plug can be fully inserted. Do not alter the plug.

ONLY FOR NORTH AMERICAN CUSTOMERS:

