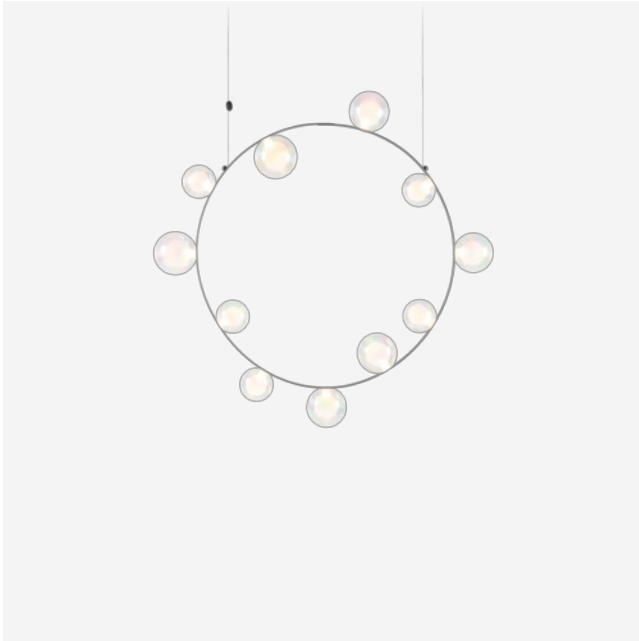


m o o o i

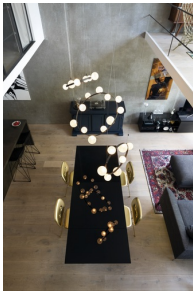
Hubble Bubble

MARCEL WANDERS | POWERED THROUGH ELECTROSANDWICH® BY MARCEL WANDERS



Hubble Bubble, designed by Marcel Wanders, is an airy and joyful suspension lamp. Available in two sizes, with either 7 or 11 glass LED bubbles in oil-iridescent or frosted versions. Hubble Bubble can be hung both horizontally and vertically and is powered through Electrosandwich® by Marcel Wanders. Hubble Bubble is the cheery statement piece in your home that can hang from any angle.

Detailing



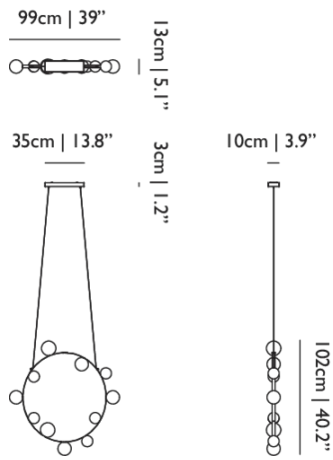
Hubble Bubble is powered through Electrosandwich® technology, so the bubbles don't need any additional wiring

Colours

Hubble Bubble

Hubble Bubble / 11

Dimensions



Product

WIDTH 99cm | 39"
HEIGHT 102cm | 40.2"
DEPTH 10cm | 3.9"
WEIGHT NETTO 1.5kg | 3.31lbs

Packaging

WIDTH 86.3cm | 34"
HEIGHT 15cm | 5.9"
CUBAGE 0.12m³ | 4.17ft³
LENGTH 91.3cm | 35.9"
WEIGHT 1.5kg | 3.31lbs

Technical CE

MATERIAL

Metal frame, polycarbonate light guides and glass bulbs

ENERGY LABEL

B

LIGHTSOURCE TYPE

LED

NUMBER OF LIGHTSOURCES

11

INPUT VOLTAGE

220-240V

MAX POWER CONSUMPTION

17W

LIFETIME

50000 hours

CABLE LENGTH

250cm | 98.4"

COLOUR TEMPERATURE

2700 K (max)

LIGHT DIRECTION

All directions

DIMMING & LIGHTING CONTROL

Mains, Trailing edge, Reverse phase

INSTALLATION REQUIRED

Yes

LIGHTSOURCE INCLUDED

Yes

SHAPE

Round

FREQUENCY

50/60

LAMPHOLDER

LED (Solid state)

CABLE COLOUR

Transparent with tinned cores

CANOPY

Matching metal rectangle

CRI

93

LIGHT OUTPUT

530 lm

See last page for more information about the dimming possibilities.



Technical UL

MATERIAL

Metal frame, polycarbonate light guides and glass bulbs

ENERGY LABEL

B

INSTALLATION REQUIRED

Yes

LIGHTSOURCE TYPE

LED

LIGHTSOURCE INCLUDED

Yes

NUMBER OF LIGHTSOURCES

11

SHAPE

Round

INPUT VOLTAGE

110-130V

FREQUENCY

50/60

MAX POWER CONSUMPTION

17W

LAMPHOLDER

LED (Solid state)

LIFETIME

50000 hours

CABLE COLOUR

Transparent with tinned cores

CABLE LENGTH

250cm | 98.4"

CANOPY

Matching metal rectangle

COLOUR TEMPERATURE

2700 K (max)

CRI

93

LIGHT DIRECTION

All directions

LIGHT OUTPUT

530 lm

DIMMING & LIGHTING CONTROL

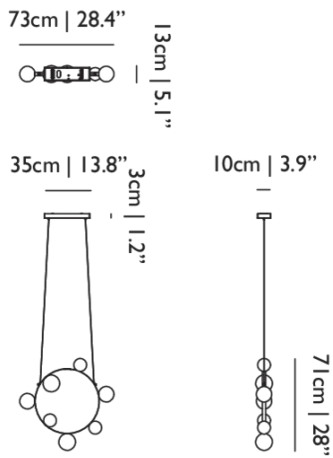
Mains, Trailing edge, Reverse phase

See last page for more information about the dimming possibilities.



Hubble Bubble / 7

Dimensions



Product

WIDTH 73cm | 28.7"
HEIGHT 71cm | 28"
DEPTH 10cm | 3.9"
WEIGHT NETTO 1.2kg | 2.65lbs

Packaging

WIDTH 61cm | 24"
HEIGHT 15cm | 5.9"
CUBAGE 0.06m³ | 1.97ft³
LENGTH 61cm | 24"
WEIGHT 1.2kg | 2.65lbs

Technical CE

MATERIAL

Metal frame, polycarbonate light guides and glass bulbs

ENERGY LABEL

B

LIGHTSOURCE TYPE

LED

NUMBER OF LIGHTSOURCES

7

INPUT VOLTAGE

220-240V

MAX POWER CONSUMPTION

10W

LIFETIME

50000 hours

CABLE LENGTH

250cm | 98.4"

COLOUR TEMPERATURE

2700 K (max)

LIGHT DIRECTION

All directions

DIMMING & LIGHTING CONTROL

Mains, Trailing edge, Reverse phase

INSTALLATION REQUIRED

Yes

LIGHTSOURCE INCLUDED

Yes

SHAPE

Round

FREQUENCY

50/60

LAMPHOLDER

LED (Solid state)

CABLE COLOUR

Transparent with tinned cores

CANOPY

Matching metal rectangle

CRI

93

LIGHT OUTPUT

306 lm

See last page for more information about the dimming possibilities.



Technical UL

MATERIAL

Metal frame, polycarbonate light guides and glass bulbs

ENERGY LABEL

B

INSTALLATION REQUIRED

Yes

LIGHTSOURCE TYPE

LED

LIGHTSOURCE INCLUDED

Yes

NUMBER OF LIGHTSOURCES

7

SHAPE

Round

INPUT VOLTAGE

110-130V

FREQUENCY

50/60

MAX POWER CONSUMPTION

10W

LAMPHOLDER

LED (Solid state)

LIFETIME

50000 hours

CABLE COLOUR

Transparent with tinned cores

CABLE LENGTH

250cm | 98.4"

CANOPY

Matching metal rectangle

COLOUR TEMPERATURE

2700 K (max)

CRI

93

LIGHT DIRECTION

All directions

LIGHT OUTPUT

306 lm

DIMMING & LIGHTING CONTROL

Mains, Trailing edge, Reverse phase

See last page for more information about the dimming possibilities.



Hubble Bubble / Spheres 11

Product

WIDTH 99cm | 39"

HEIGHT 102cm | 40.2"

DEPTH 10cm | 3.9"

WEIGHT NETTO 1kg | 2.2lbs

Packaging

WIDTH 25.5cm | 10"

HEIGHT 31cm | 12.2"

CUBAGE 0.07m³ | 2.37ft³

LENGTH 85cm | 33.5"

WEIGHT 1kg | 2.2lbs

Technical

MATERIAL

Metal frame, polycarbonate light guides and glass bulbs

Hubble Bubble / Spheres 7

Product

WIDTH 73cm | 28.7"

HEIGHT 71cm | 28"

DEPTH 10cm | 3.9"

WEIGHT NETTO 1kg | 2.2lbs

Packaging

WIDTH 27cm | 10.6"

HEIGHT 32cm | 12.6"

CUBAGE 0.05m³ | 1.92ft³

LENGTH 63cm | 24.8"

WEIGHT 1kg | 2.2lbs

*Technical***MATERIAL**

Metal frame, polycarbonate light guides and glass bulbs

Dimming & Lighting Control

Mains, Trailing edge, Reverse phase

The luminaire is dimmable by using an external Electronic Low Voltage dimmer. The dimmer is usually mounted on an existing wall socket and there is no need to change your home's wiring. On the dimmer it should show that it is a LED dimmer, suitable for 5 Watts or lower and C-type capable. Dimming is less fluent and can come with some flicker, a beep or a buzz.

Compatible models: 11 CE, 11 UL, 7 CE, 7 UL
