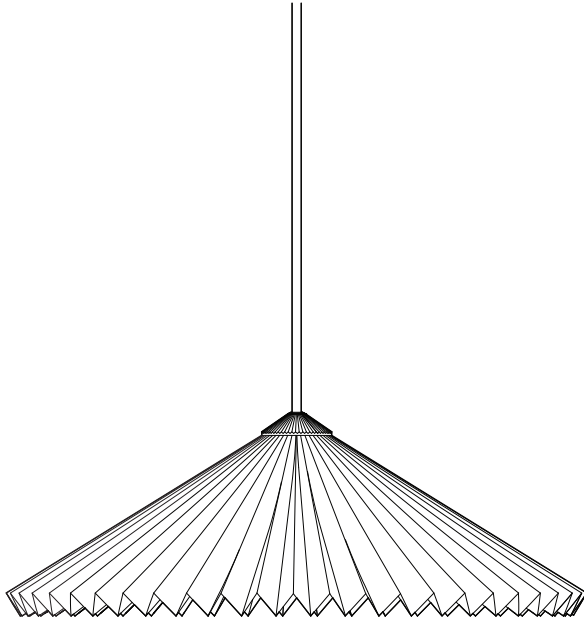


- INSTRUCTION MANUAL -

MATIN PENDANT



DESIGN BY INGA SEMPÉ

HAY

TECHNICAL DATA

This product is fitted with a GX53 bulb fitting. HAY recommends using this product only with LED bulbs.

FITTING TYPE | LED GX53

POWER (W) | MAX. 8W

COLOUR TEMPERATURE | Warm white

HAY will not accept any responsibility for any accidents, injuries or damages that occur due to the use of incorrect bulbs.

ATTENTION

Ensure that the power supply to the circuit has clearly been turned OFF before installing the product. In some countries, electrical installation must be carried out by authorised electricians/contractors; please check with your local authority for guidance.

As ceiling materials vary, screws for ceiling fixation are not included. For advice on a suitable screw system for your ceiling, contact your local specialised dealer. Ceiling fixing/hanging must be carried out by a qualified person, since wrong fixation may cause injury or damage.

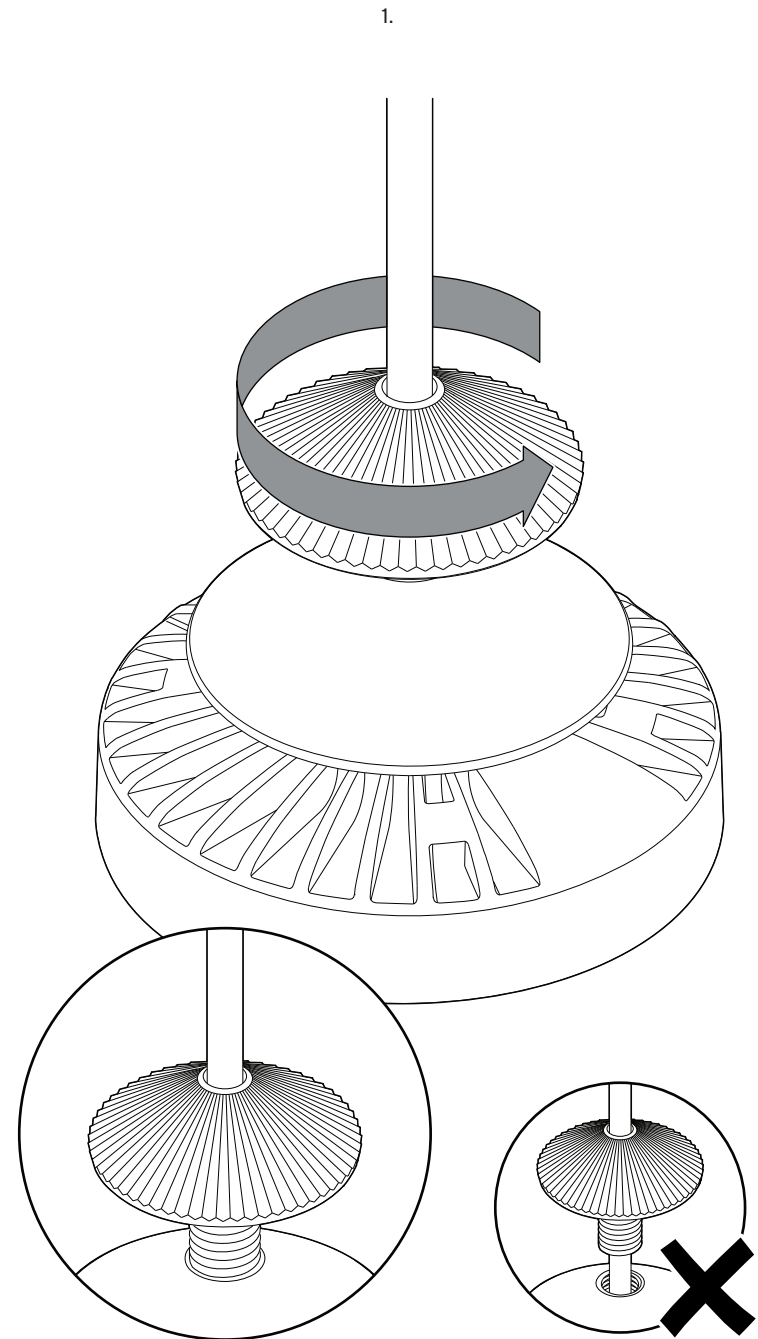
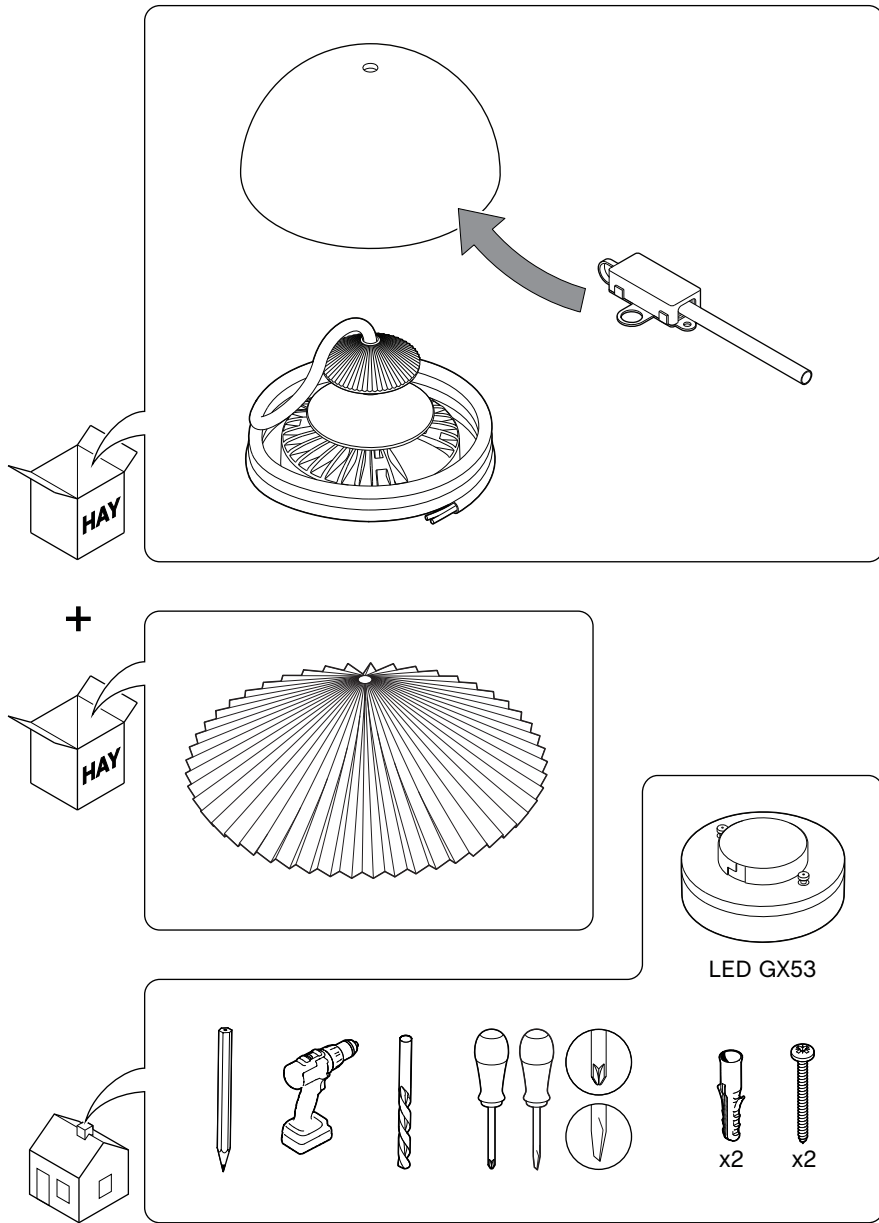
The product must not be modified in any way. HAY accepts no responsibility for any products that have been modified or tampered with. If the external flexible cable or cord of this luminaire is damaged, it should be exclusively replaced by a qualified electrician in order to avoid an electrical hazard. This lamp is designed for indoor use only.

- The Matin Pendant is designed to be used with LED based light sources only.
- Halogen or incandescent light sources should never be used, as they may cause damage to the lamp.

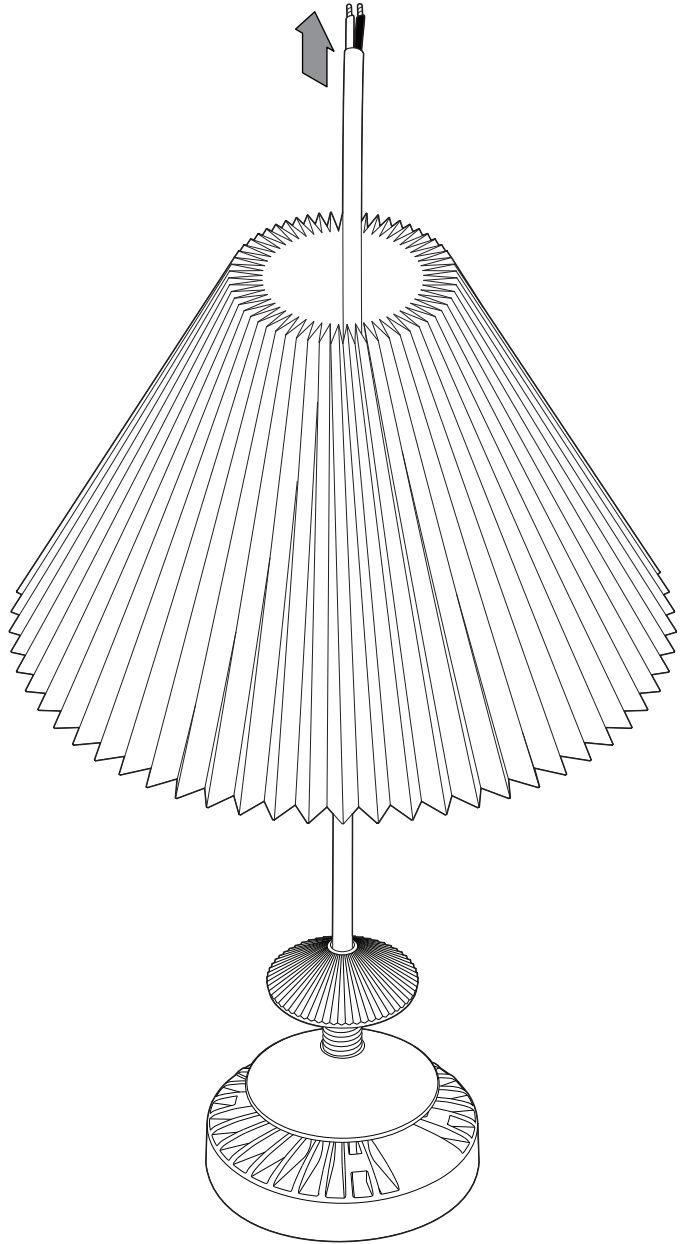
CARE AND MAINTENANCE

Do not use wet or damp cloths for cleaning and maintaining the shade. Please use a dry, lint-free cloth or duster to remove any dirt. Ensure that the power supply has been turned OFF before cleaning the product.

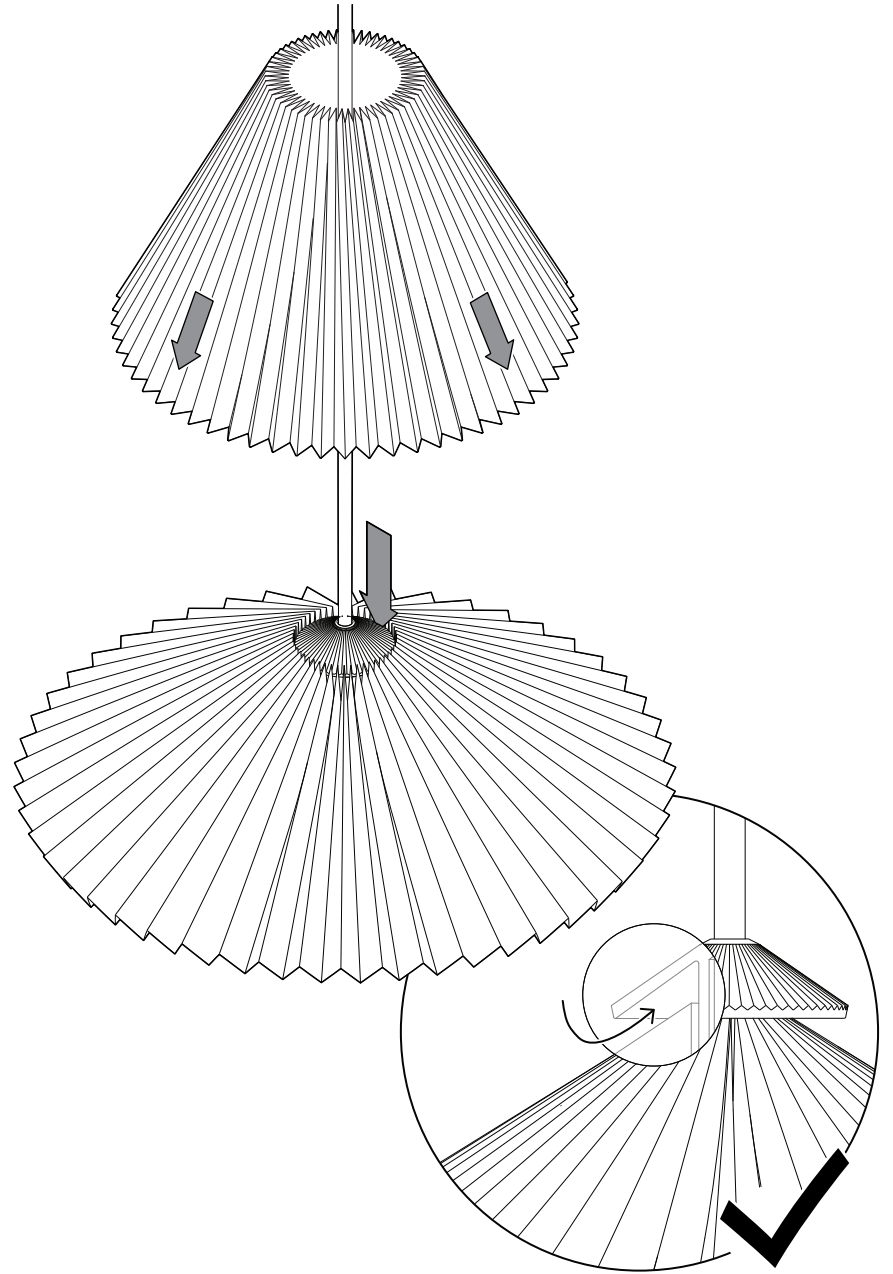




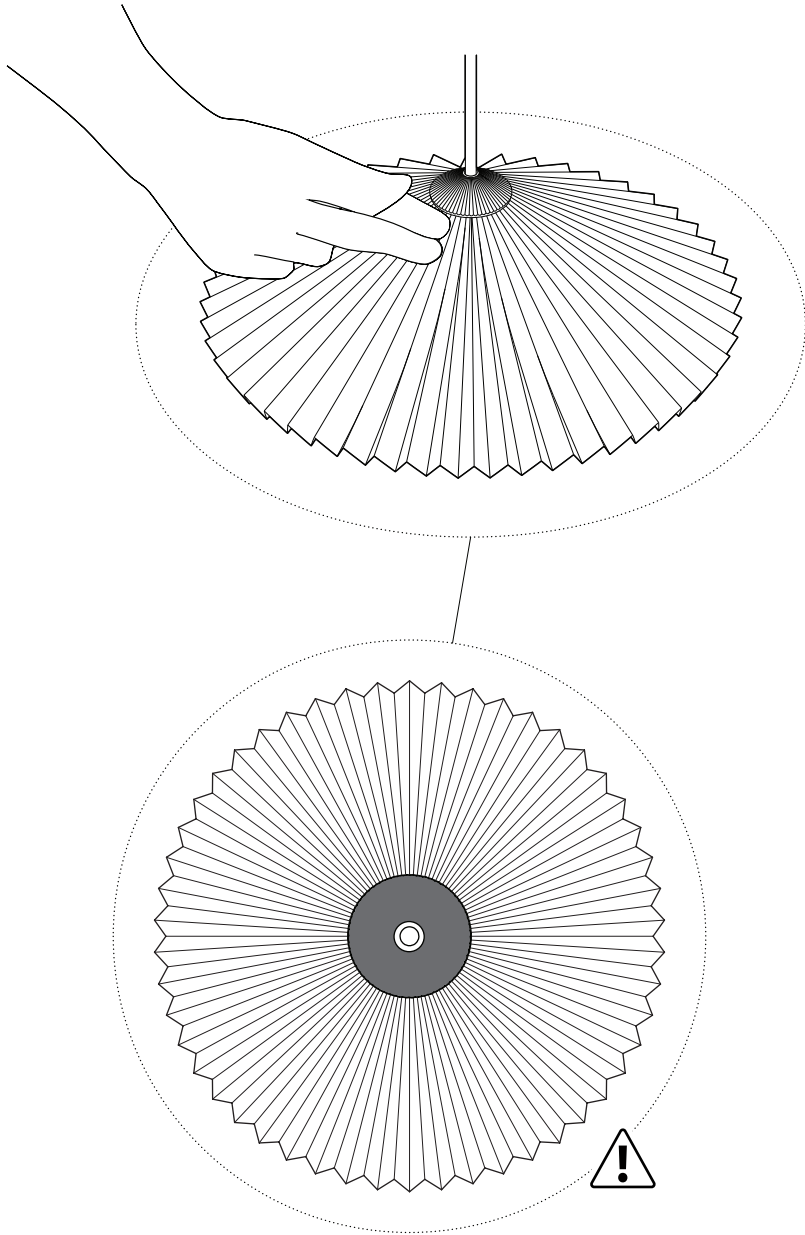
2.



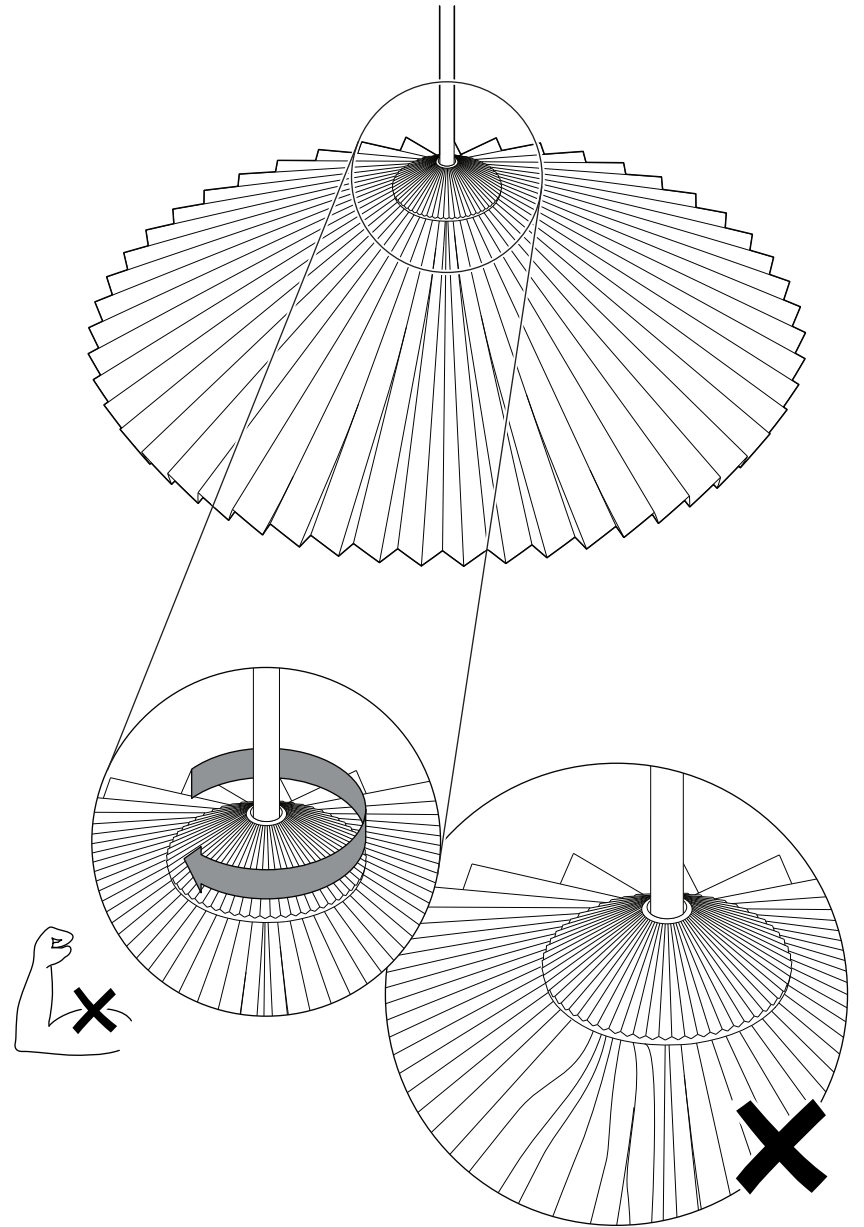
3.



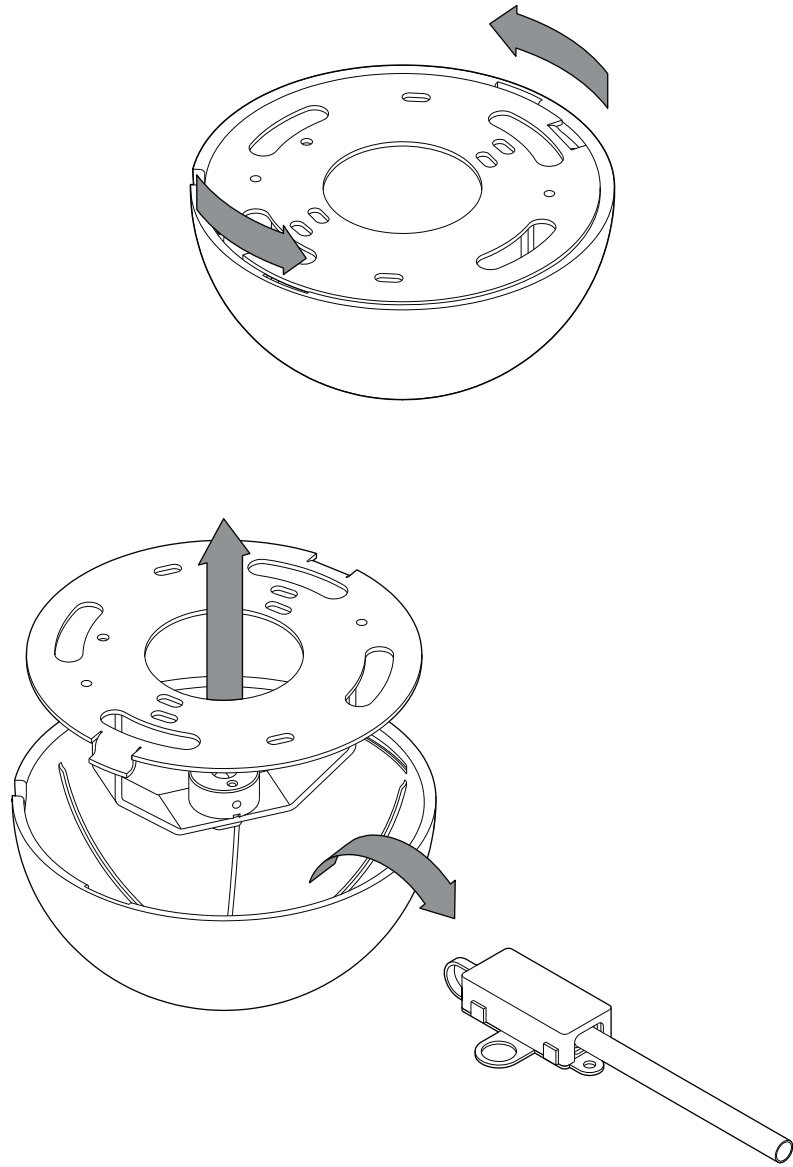
4.



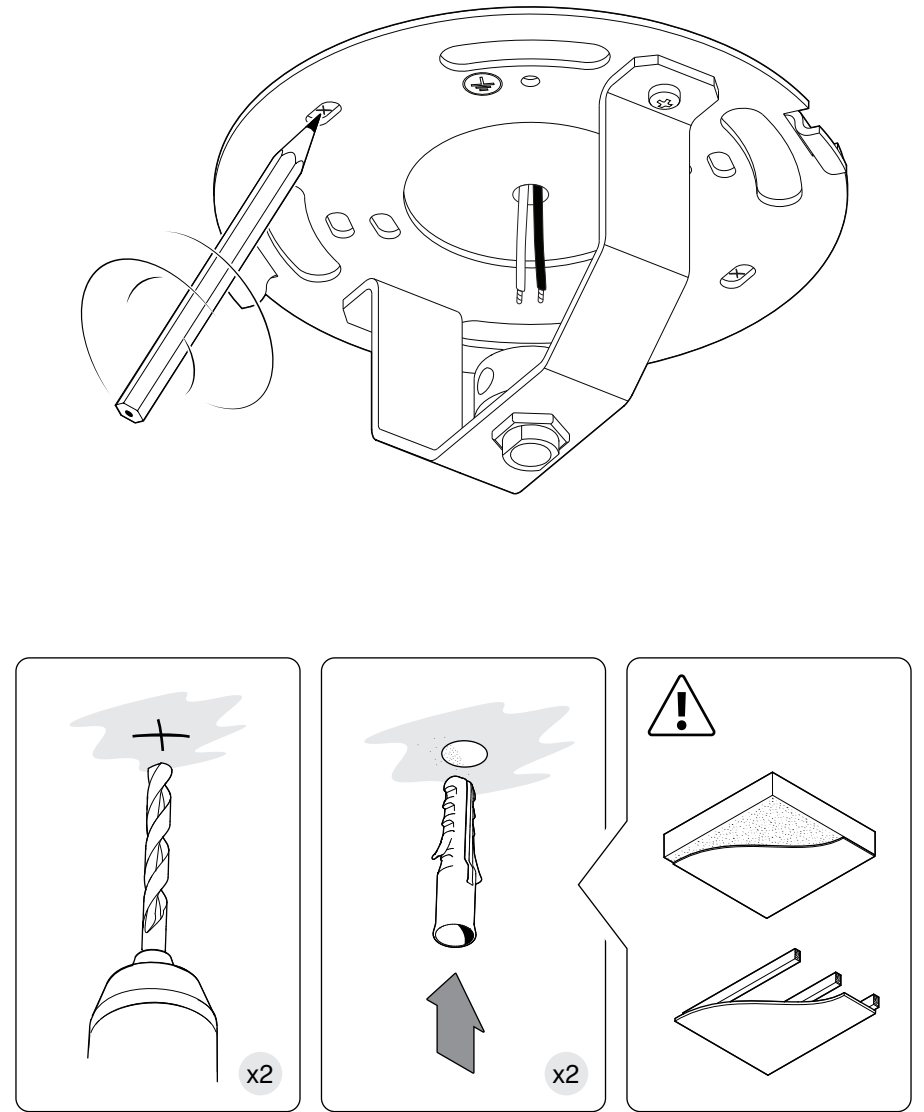
5.



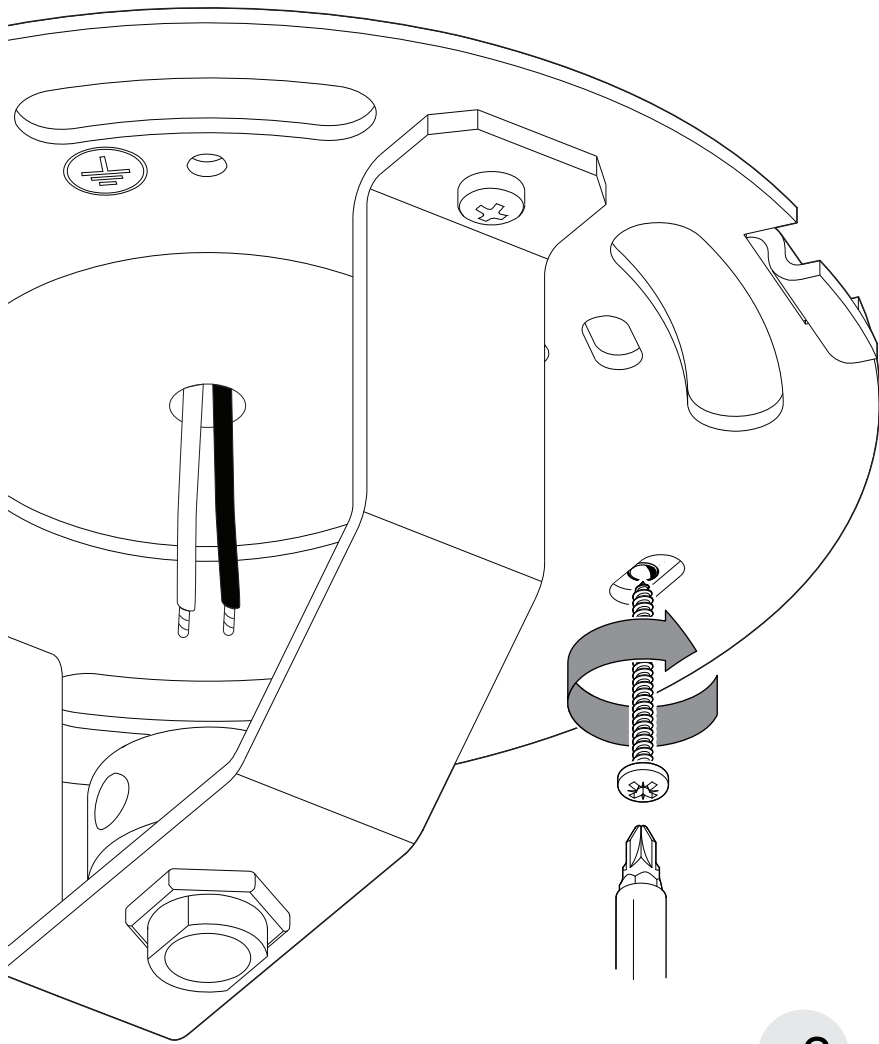
6.



7.

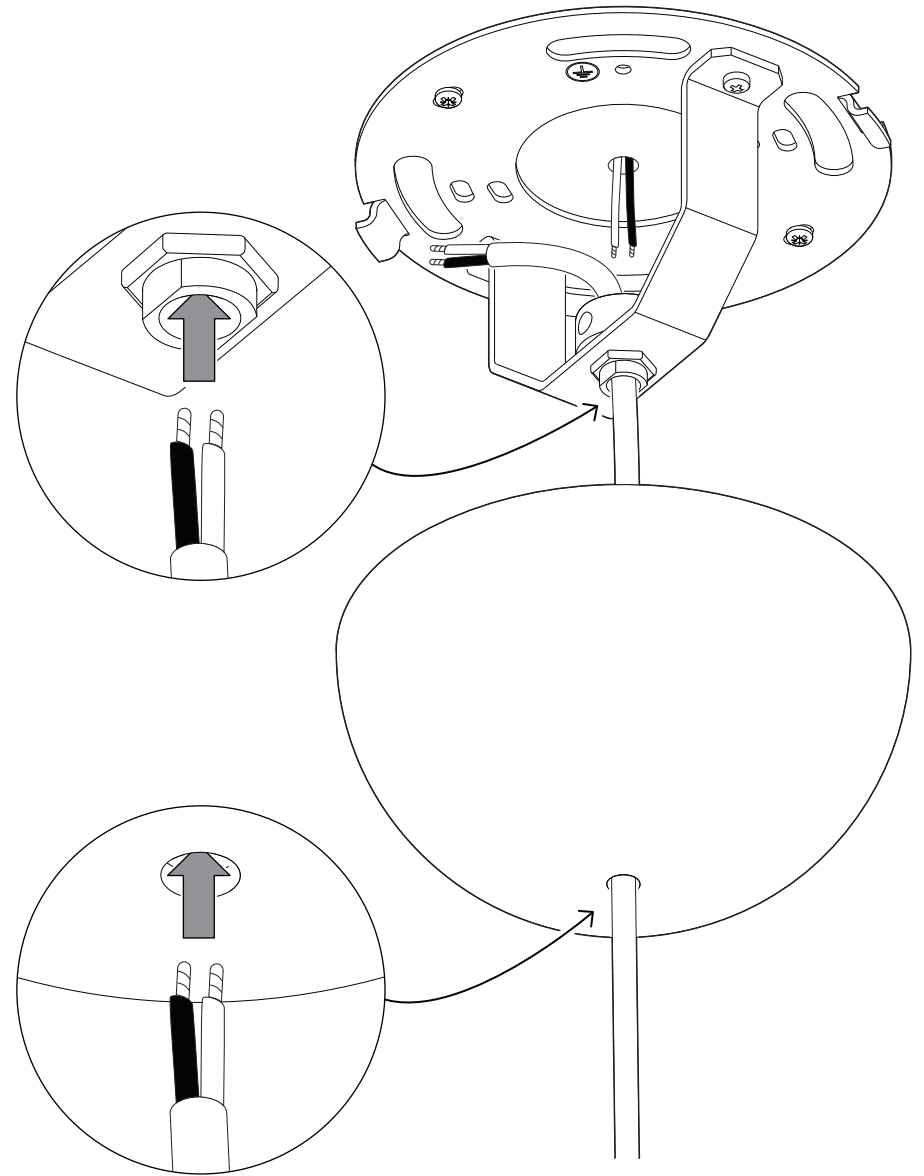


8.

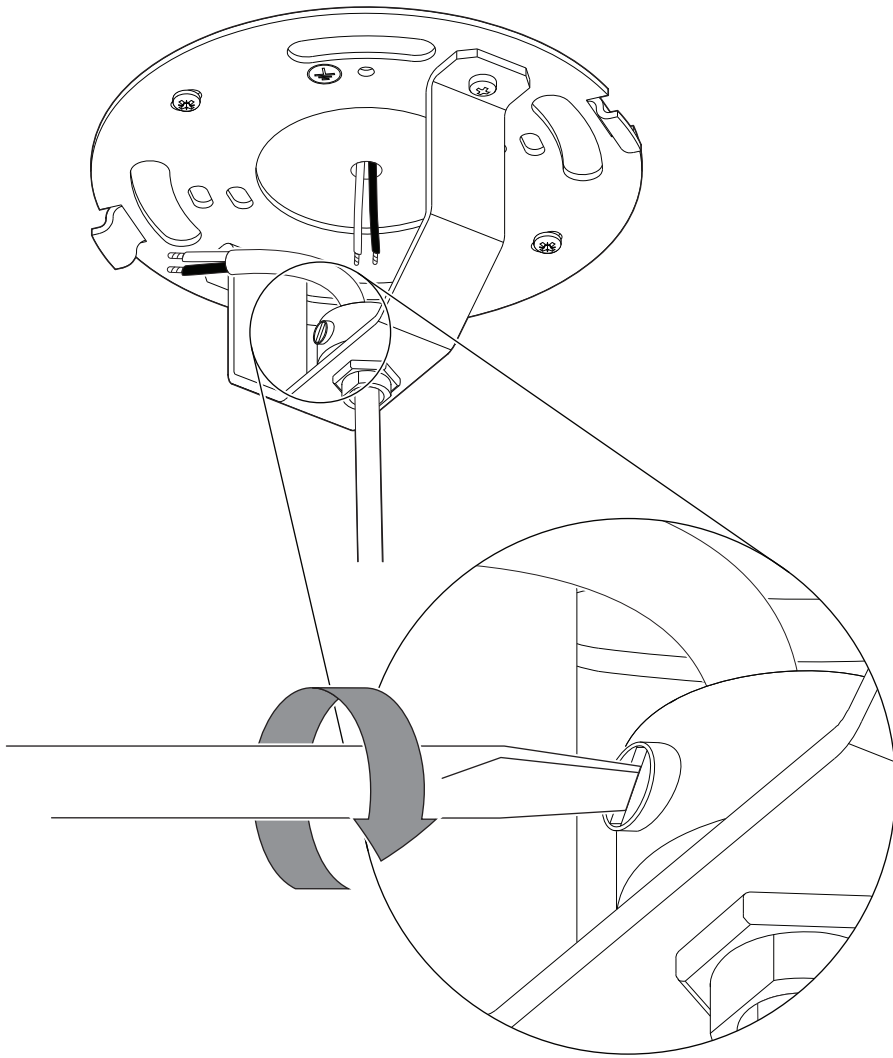


x2

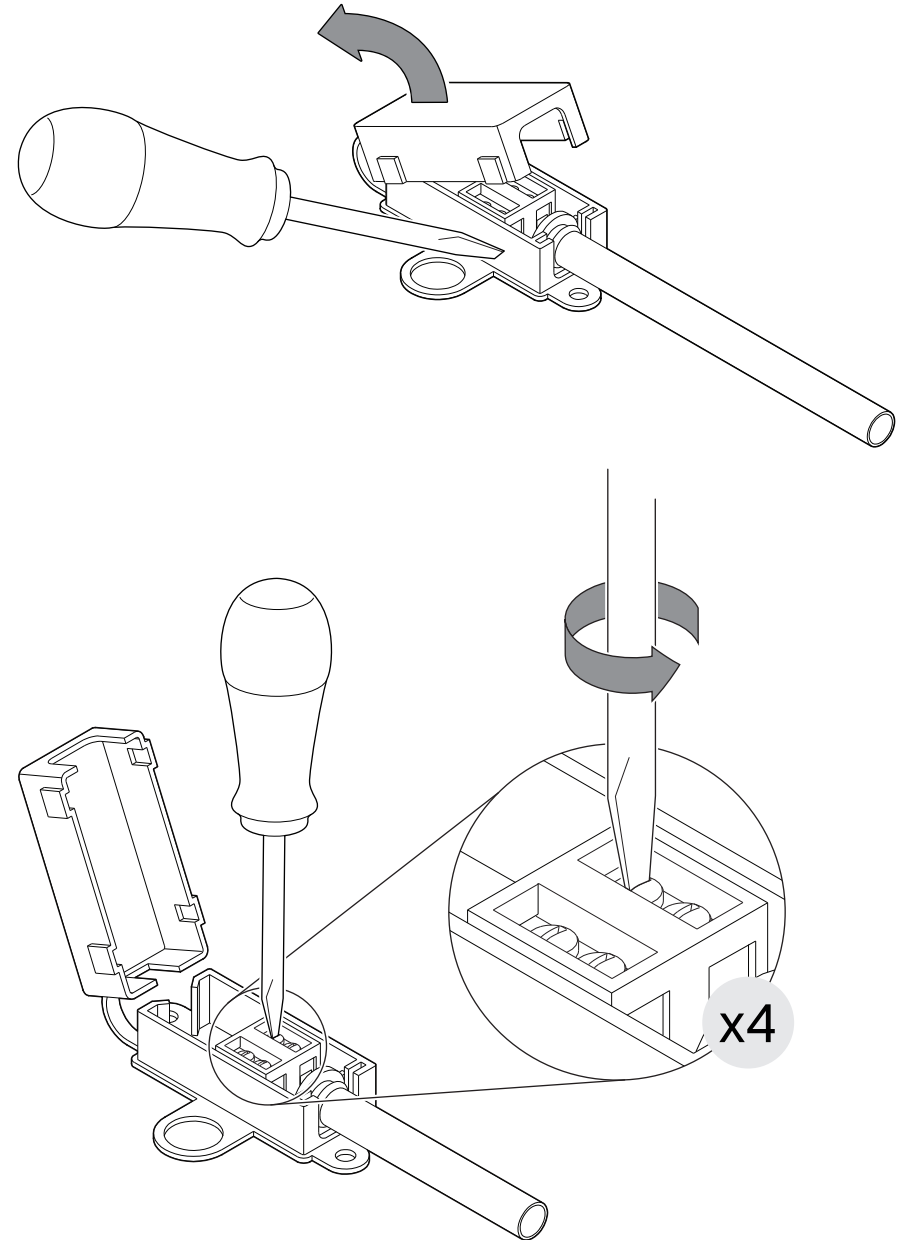
9.



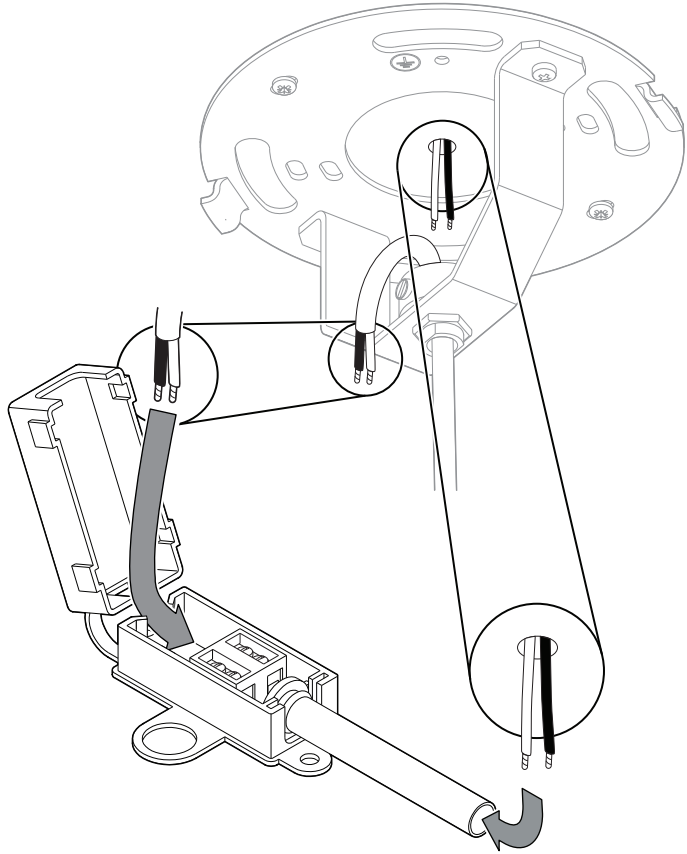
10.



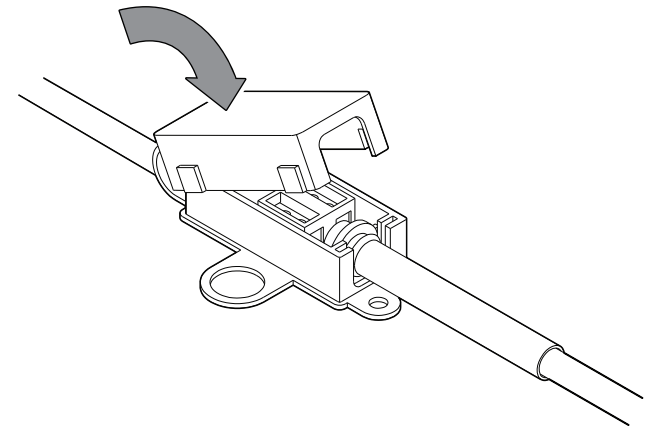
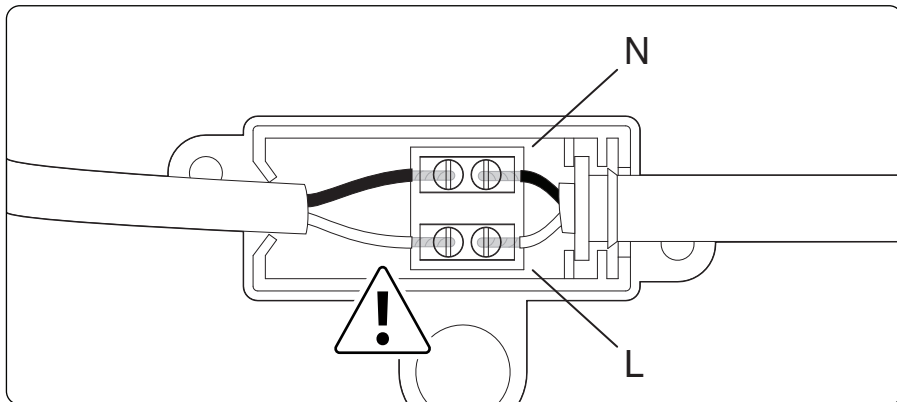
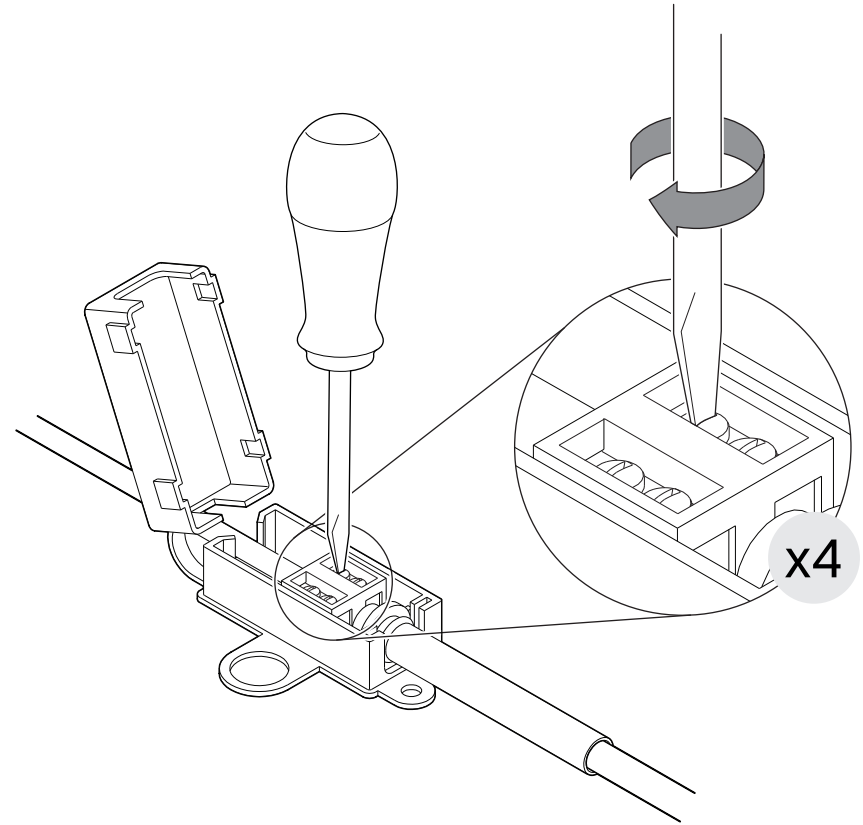
11.



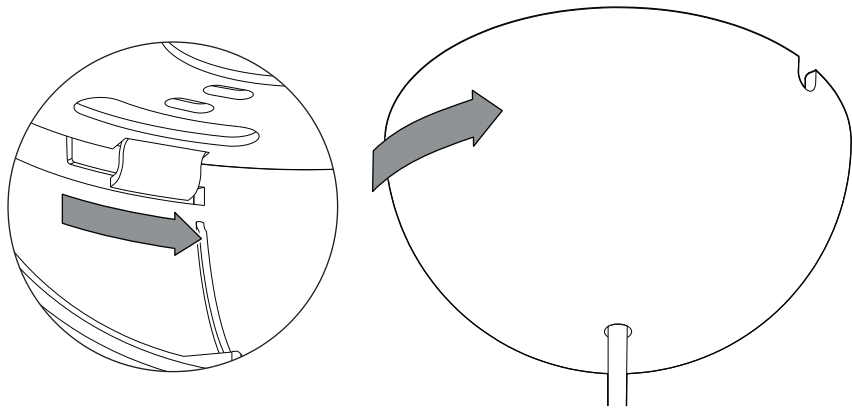
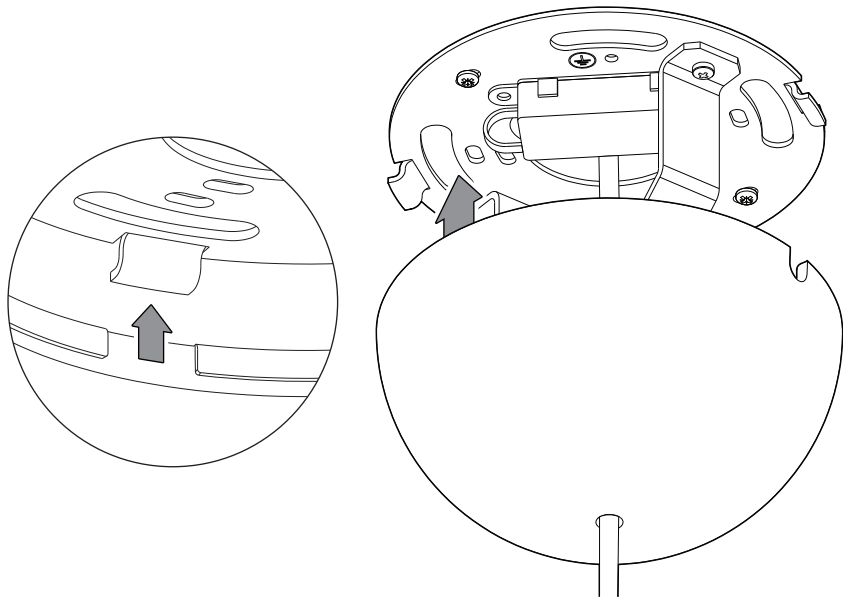
12.



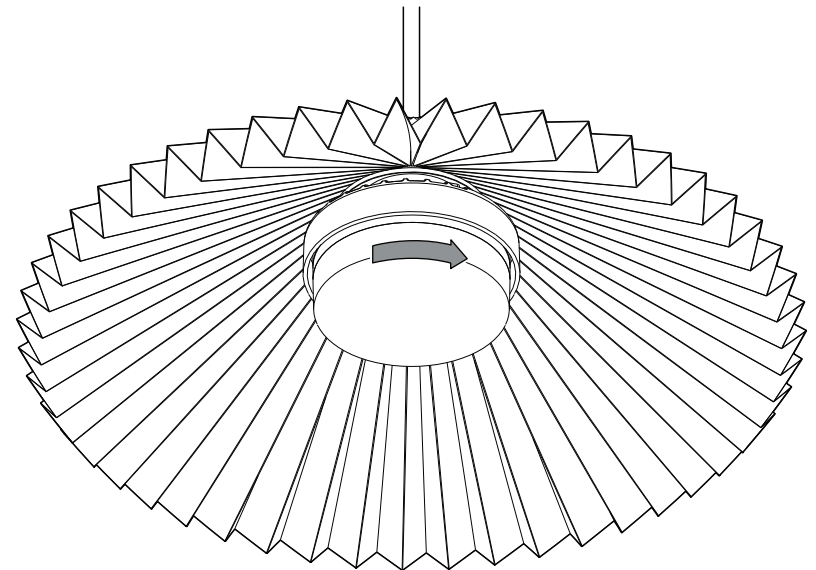
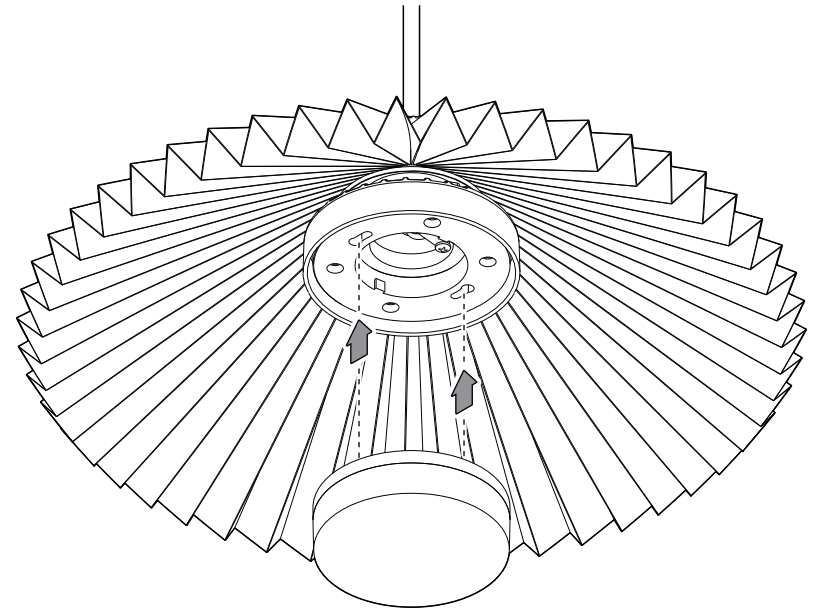
13.



14.



15.



- CARE & MAINTENANCE -

Our Care & Maintenance offers guidance for optimal maintenance of your HAY product. It includes advice and instructions on cleaning and caring for specific materials to prolong the life of your lighting.



Please find our Care & Maintenance guide by scanning the QR code



You can find more relevant information on Matin Pendant by scanning the QR code

You can also find the same information here
hay.dk/downloads

Havnen 3 8700 Horsens Denmark
+45 3164 6000 / hay@hay.com

www.hay.com

22/11/2024

HAY