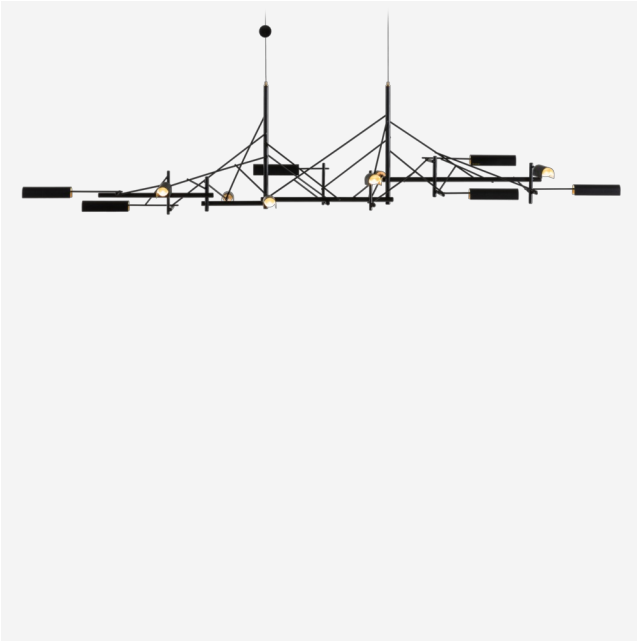


# Tinkering

JOOST VAN BLEISWIJK | POWERED THROUGH ELECTROSANDWICH® BY MARCEL WANDERS



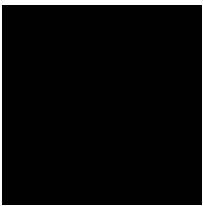
Tinkering, designed by Joost van Bleiswijk, captivates its spectators through a rhythmic composition that is made from black coated stainless steel and brass. This suspension lamp is available in two sizes, Tinkering 85 and Tinkering 140, which feature 7 and 12 LED light sources, respectively. The light caps are individually adjustable and make this lamp suitable to be installed above a table or a desk. Tinkering is powered through Electrosandwich® technology by Marcel Wanders.

## *Detailing*



Powered through Electrosandwich® technology and made from coated stainless steel and brass, Tinkering creates a modern feel with a detailed touch.

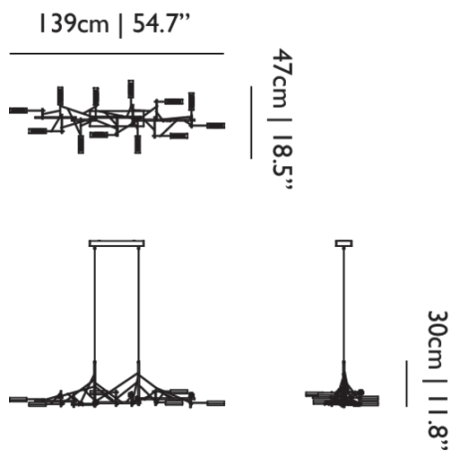
## *Colours*



Black

# Tinkering / 140

## Dimensions



## Product

**WIDTH** 139cm | 54.7"  
**HEIGHT** 30cm | 11.8"  
**DEPTH** 47cm | 18.5"  
**WEIGHT NETTO** 2.7kg | 5.95lbs

## Packaging

**WIDTH** 59cm | 23.2"  
**HEIGHT** 42cm | 16.5"  
**CUBAGE** 0.37m<sup>3</sup> | 13.21ft<sup>3</sup>  
**LENGTH** 151cm | 59.4"  
**WEIGHT** 9kg | 19.84lbs

## Technical CCC

### MATERIAL

Metal frame, brass shades and polycarbonate diffusers

### ENERGY LABEL

B

### LIGHTSOURCE TYPE

LED

### NUMBER OF LIGHTSOURCES

12

### INPUT VOLTAGE

220-240V

### MAX POWER CONSUMPTION

17W

### LIFETIME

50000 hours

### CABLE LENGTH

250cm | 98.4"

### COLOUR TEMPERATURE

2700 K (max)

### LIGHT DIRECTION

All directions

### DIMMING & LIGHTING CONTROL

Mains, Trailing edge, Reverse phase

### INSTALLATION REQUIRED

Yes

### LIGHTSOURCE INCLUDED

Yes

### SHAPE

Linear

### FREQUENCY

50/60

### LAMPHOLDER

LED (Solid state)

### CABLE COLOUR

Black

### CANOPY

Matching metal rectangle

### CRI

93

### LIGHT OUTPUT

742 lm

See last page for more information about the dimming possibilities.

---

## Technical CE

### MATERIAL

Metal frame, brass shades and polycarbonate diffusers

### ENERGY LABEL

B

### LIGHTSOURCE TYPE

LED

### NUMBER OF LIGHTSOURCES

12

### INPUT VOLTAGE

220-240V

### MAX POWER CONSUMPTION

17W

### LIFETIME

50000 hours

### CABLE LENGTH

250cm | 98.4"

### COLOUR TEMPERATURE

2700 K (max)

### LIGHT DIRECTION

All directions

### DIMMING & LIGHTING CONTROL

Mains, Trailing edge, Reverse phase

*See last page for more information about the dimming possibilities.*



### INSTALLATION REQUIRED

Yes

### LIGHTSOURCE INCLUDED

Yes

### SHAPE

Linear

### FREQUENCY

50/60

### LAMPHOLDER

LED (Solid state)

### CABLE COLOUR

Black

### CANOPY

Matching metal rectangle

### CRI

93

### LIGHT OUTPUT

742 lm

---

## Technical UL

### MATERIAL

Metal frame, brass shades and polycarbonate diffusers

### ENERGY LABEL

B

### LIGHTSOURCE TYPE

LED

### NUMBER OF LIGHTSOURCES

12

### INPUT VOLTAGE

110-130V

### INSTALLATION REQUIRED

Yes

### LIGHTSOURCE INCLUDED

Yes

### SHAPE

Linear

### FREQUENCY

50/60

**MAX POWER CONSUMPTION**

17W

**LIFETIME**

50000 hours

**CABLE LENGTH**

250cm | 98.4"

**COLOUR TEMPERATURE**

2700 K (max)

**LIGHT DIRECTION**

All directions

**DIMMING & LIGHTING CONTROL**

Mains, Trailing edge, Reverse phase

*See last page for more information about the dimming possibilities.***LAMPHOLDER**

LED (Solid state)

**CABLE COLOUR**

Black

**CANOPY**

Matching metal rectangle

**CRI**

93

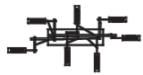
**LIGHT OUTPUT**

742 lm

## Tinkering / 85

### Dimensions

83cm | 32.7"



41cm | 16.1"



29cm | 11.4"

### Product

**WIDTH** 83cm | 32.7"**HEIGHT** 29cm | 11.4"**DEPTH** 41cm | 16.1"**WEIGHT NETTO** 1.6kg | 3.53lbs

### Packaging

**WIDTH** 51cm | 20.1"**HEIGHT** 42cm | 16.5"**CUBAGE** 0.2m<sup>3</sup> | 7.11ft<sup>3</sup>**LENGTH** 94cm | 37"**WEIGHT** 6kg | 13.23lbs

### Technical CCC

**MATERIAL**

Metal frame, brass shades and polycarbonate diffusers

**ENERGY LABEL**

B

**INSTALLATION REQUIRED**

Yes

**LIGHTSOURCE TYPE**

LED

**LIGHTSOURCE INCLUDED**

Yes

**NUMBER OF LIGHTSOURCES**

7

**SHAPE**

Linear

**INPUT VOLTAGE**

220-240V

**MAX POWER CONSUMPTION**

10W

**LIFETIME**

50000 hours

**CABLE LENGTH**

250cm | 98.4"

**COLOUR TEMPERATURE**

2700 K (max)

**LIGHT DIRECTION**

All directions

**DIMMING & LIGHTING CONTROL**

Mains, Trailing edge, Reverse phase

*See last page for more information about the dimming possibilities.***FREQUENCY**

50/60

**LAMPHOLDER**

LED (Solid state)

**CABLE COLOUR**

Black

**CANOPY**

Matching metal rectangle

**CRI**

93

**LIGHT OUTPUT**

420 lm

---

*Technical CE***MATERIAL**

Metal frame, brass shades and polycarbonate diffusers

**ENERGY LABEL**

B

**LIGHTSOURCE TYPE**

LED

**NUMBER OF LIGHTSOURCES**

7

**INPUT VOLTAGE**

220-240V

**MAX POWER CONSUMPTION**

10W

**LIFETIME**

50000 hours

**CABLE LENGTH**

250cm | 98.4"

**COLOUR TEMPERATURE**

2700 K (max)

**LIGHT DIRECTION**

All directions

**INSTALLATION REQUIRED**

Yes

**LIGHTSOURCE INCLUDED**

Yes

**SHAPE**

Linear

**FREQUENCY**

50/60

**LAMPHOLDER**

LED (Solid state)

**CABLE COLOUR**

Black

**CANOPY**

Matching metal rectangle

**CRI**

93

**LIGHT OUTPUT**

420 lm

**DIMMING & LIGHTING CONTROL**

Mains, Trailing edge, Reverse phase

*See last page for more information about the dimming possibilities.*



---

*Technical UL***MATERIAL**

Metal frame, brass shades and polycarbonate diffusers

**ENERGY LABEL**

B

**INSTALLATION REQUIRED**

Yes

**LIGHTSOURCE TYPE**

LED

**LIGHTSOURCE INCLUDED**

Yes

**NUMBER OF LIGHTSOURCES**

7

**SHAPE**

Linear

**INPUT VOLTAGE**

110-130V

**FREQUENCY**

50/60

**MAX POWER CONSUMPTION**

10W

**LAMPHOLDER**

LED (Solid state)

**LIFETIME**

50000 hours

**CABLE COLOUR**

Black

**CABLE LENGTH**

250cm | 98.4"

**CANOPY**

Matching metal rectangle

**COLOUR TEMPERATURE**

2700 K (max)

**CRI**

93

**LIGHT DIRECTION**

All directions

**LIGHT OUTPUT**

420 lm

**DIMMING & LIGHTING CONTROL**

Mains, Trailing edge, Reverse phase

*See last page for more information about the dimming possibilities.*



## *Dimming & Lighting Control*

### *Mains, Trailing edge, Reverse phase*

The luminaire is dimmable by using an external Electronic Low Voltage dimmer. The dimmer is usually mounted on an existing wall socket and there is no need to change your home's wiring. On the dimmer it should show that it is a LED dimmer, suitable for 5 Watts or lower and C-type capable. Dimming is less fluent and can come with some flicker, a beep or a buzz.

Compatible models: 140 CE, 140 UL, 85 CE, 85 UL

---