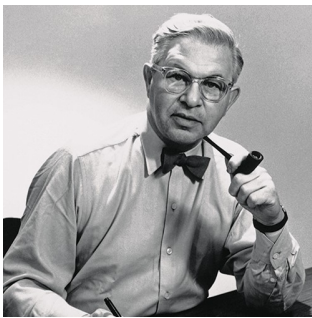


AJ OXFORD TABLE LAMP

AJ Oxford Table Lamp - 5744168588

This table lamp emits a pleasant downward directed light, which harmoniously illuminates the surface below it through the soft transparency of the three-layered mouth-blown opal glass. The variant without the top metal shade, the milky opal glass shade provides further glow to form an alluring halo around the fixture.



Arne Jacobsen

Arne Jacobsen was born and raised in Copenhagen. In 1927, he graduated as an architect from the Royal Danish Academy of Fine Arts in Copenhagen. After graduating, he obtained his first job at the office of the City Architect of Copenhagen launching his own office only two years later.



Product info

Environmental Product Specification

This product is compliant with the requirements contained in the European Directives, RoHS Directive 2011/65 and 2015/863. This product is designed so that 100% of the product can be disassembled and reused.

Information

Union nut and fingerscrew in untreated brass which will patinate. Pin solution for 410 mm with metal shade and 280 mm variants available upon request.

Mounting

Black textile cord with plug. Cord length: 2.2 m. On/off switch on socket house with union nut in untreated brass.

Finish

Black wet painted stem with shade in three layered mouth-blown opal glass. Top shade: Black wet painted with white inner side.

Materials

Shade: Mouth-blown three layered white opal glass. Stem and top shade: Steel. Mounting device for pin mounting: Aluminium. Union nut and finger screw in untreated brass with fine clockwise hairlines. Please note the untreated brass will patinate.

Sizes and weights

width x Height x Length (mm) | 220 x 413 x 220 Max 1.2 kg | 220 x 284 x 220 Max 1.1 kg | 220 x 410 x 220 Max 0.9 kg

Class

Ingress protection IP20. Electric shock protection II.

Light source

1x20W E14

Information

Union nut and fingerscrew in untreated brass which will patinate.

Pin solution for 410 mm with metal shade and 280 mm variants available upon request.



Related products



AJ Table Lamp



AJ Wall Lamp



AJ Floor Lamp



AJ 50 Outdoor Wall Lamp



AJ Mini Table Lamp



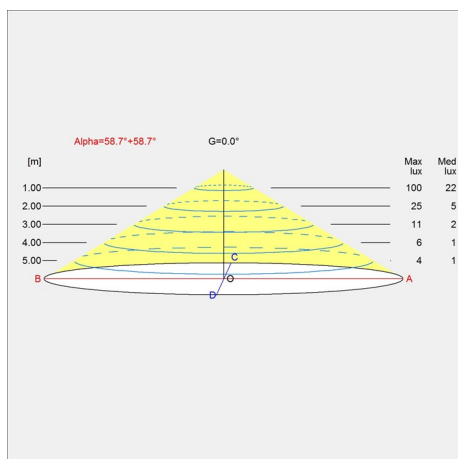
AJ Royal Pendant



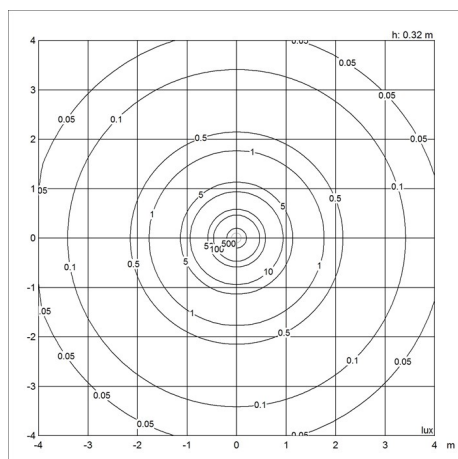
AJ Garden Bollard

Light distribution diagrams

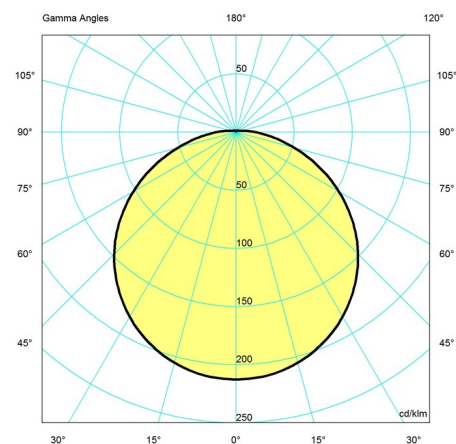
Cartesian



Isolux



Polar



Spare parts & accessories

Product	Variant number
AJ Eklipta Ø220 glass	5743590005
AJ Oxford brass finger screw	5744165552
AJ Oxford brass union nut	5744165565
AJ Oxford black silicone gasket	5744165578

Data specifications

Colour	Metal black/opal glass (RAL RAL 9005)	Length	220
Width	220	Height	413
Built-in Height	-	IP class	20
Class	II	Net Weight	1.2
Standby (W)	-	Power Factor (P = 100 % / P = 50 %)	-
Inrush Current	-	Light source	1x20W E14
Kelvin	-	CRI	-

AJ Oxford Table Lamp

SDCM	-
Watt	3.4
Light control	-
UGR Transversal / Axial	19.4/19.4
Driver life	-

Lumen	324
Efficacy	95
Min. Dim Level (%)	-
L80B50 (hours)	-