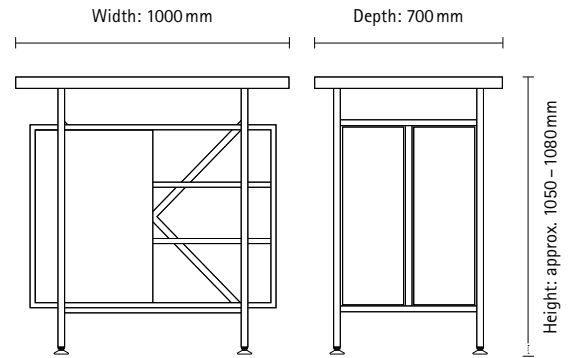


Milla

Bar Table 700

Designer: Otto Sudrow, 1990 / Alexander Seifried, 2013

Whether as a desk alternative in the office, as a meeting point in the kitchenette or at home, and whether standing or combined with bar stools, the Milla Bar Table is a contemporary furniture object rooted in the construction principles of the Eiermann frame. With the option to extend the functionality via an integrated cabinet with sliding doors.



Milla Bar Table 700 with 2 Cabinets

Bar Table, Frame, tubular steel

incl. Levelling feet and Rubber stoppers

700 × 500 × 1000

powder coated

● black RAL 9005

chrome-plated

● chrome

Cabinet

900 × 220 × 669

Melamine white or Oak veneer, incl. 1 door

Doors

● black RAL 9005

○ white RAL 9010

● basalt grey RAL 7012

● light pink RAL 3015

● ice green NCS 1040-B90G

● natural oak veneer

Tabletop

Linoleum Forbo 30 mm

Edge ABS black

● nero 4023

Set price (frame & tabletop)

Set price (frame & tabletop)

1000 × 700 × 30

●

●

Set price
Frame & Tabletop
& 2 Cabinets
(incl. 1 door each)

Set price
Frame & Tabletop
& 2 Cabinets
(incl. 1 door each)

Melamine white

●

●

Oak veneer

●

●

Surcharge oak veneer

●

●