

# Audo

COPENHAGEN



TEAROOM LOUNGE CHAIR,  
SWIVEL W/RETURN, W/LOOSE COVER  
Designed by *Nick Ross*



TEAROOM LOUNGE CHAIR, SWIVEL W/RETURN, W/LOOSE COVER  
Designed by *Nick Ross*

The loose cover for the Tearoom Lounge Chair with Swivel introduces a fresh take on traditional wool bouclé, in a washable cotton-wool blend with a structured look and a super-soft feel. Enhancing the contours of the chair, the removable cover is available palette of three timeless neutrals that each add sophistication without overpowering—and help to prolong the life of the design and easily update its look with minimal effort.

PRODUCT OPTIONS



TECHNICAL SPECIFICATIONS

PRODUCT TYPE  
Lounge chair

COLLI  
1

ENVIRONMENT  
Indoor

DIMENSIONS  
H: 78 cm / 30,7"  
SH: 42,5 cm / 16,7"  
W: 72,5 cm / 28,5"  
D: 70 cm / 27,6"

PRODUCTION PROCESS  
The lounge chair is constructed with a structural frame made of plywood. Seat consists of layered foam (5 layers) in different hardness with webbing/belts underneath. Back and armrests consists of a double foam layer, with front part being reinforced with foam flex. The base is made from painted MDF.

COLOUR

*Seat*  
Jasmine  
Sand  
Flint

*Base*  
Black (RAL 9005)

GLOSS  
Gloss 10-10

MATERIALS  
Plywood, HR Foam construction, webbing/belts, No-sag springs, foam flex and upholstery

WEIGHT  
24 kg / 52,9 lb

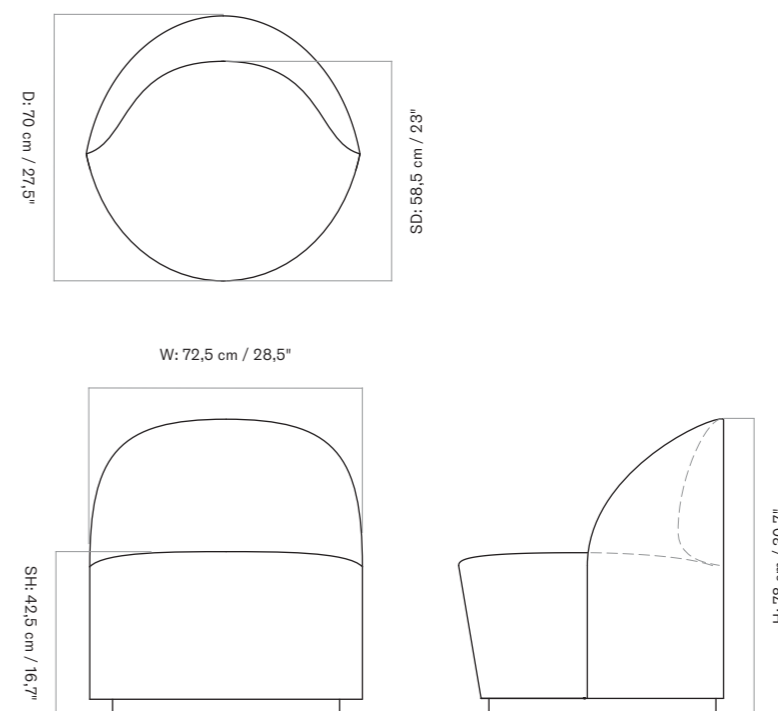
TEST  
N / A

CERTIFICATIONS  
**Declare.**

PACKAGING TYPE  
Brown box

PACKAGING MEASUREMENTS  
(H x W x D)  
82 cm x 94 cm x 74 cm /  
32,3" x 37" x 29,1"

MATERIALS & MAINTENANCE  
Please visit [audocph.com](http://audocph.com) for materials, care and maintenance instructions.





TEAROOM LOUNGE CHAIR, SWIVEL W/RETURN, LOOSE COVER ONLY  
Designed by *Nick Ross*

The loose cover for the Tearoom Lounge Chair with Swivel introduces a fresh take on traditional wool bouclé, in a washable cotton-wool blend with a structured look and a super-soft feel. Enhancing the contours of the chair, the removable cover is available palette of three timeless neutrals that each add sophistication without overpowering—and help to prolong the life of the design and easily update its look with minimal effort.

PRODUCT OPTIONS



TECHNICAL SPECIFICATIONS

PRODUCT TYPE  
Lounge chair

COLOUR  
Jasmine  
Sand  
Flint

CERTIFICATIONS  
**Declare.**

COLLI  
1

MATERIALS  
66% Recycled Cotton, 15% Wool, 15% Acrylic, 4% Polyester

PACKAGING TYPE  
Brown box

ENVIRONMENT  
Indoor

WEIGHT  
24 kg / 52,9 lb

PACKAGING MEASUREMENTS  
(H x W x D)  
82 cm x 94 cm x 74 cm /  
32,3" x 37" x 29,1"

DIMENSIONS  
H: 78 cm / 30,7"  
SH: 42,5 cm / 16,7"  
W: 72,5 cm / 28,5"  
D: 70 cm / 27,6"

TEST  
N / A

MATERIALS & MAINTENANCE  
Please visit [audocph.com](http://audocph.com) for materials, care and maintenance instructions.

PRODUCTION PROCESS  
Handcut and machinesewen replacement loose cover. Velcro on the inside for secure placement.

