

FRITZ HANSEN



ANALOG™
PRODUCT FACT SHEET

ANALOG™

Analog™ is not a square, not a circle, not an oval. Instead, designer Jaime Hayon fuses the best of all three classic shapes to create an entirely new and organic form. The result is a beautiful, wood-based platform for sharing meals and conversations.

PRODUCT TYPE

Table

ENVIRONMENT

Indoor

DESIGNER / YEAR OF DESIGN

Jaime Hayon, 2014

ABOUT THE DESIGNER

Spanish artist-designer Jaime Hayon was born in Madrid in 1974. As a teenager, he submerged himself in skateboard culture and graffiti art, the foundation of the detailed, bold yet whimsical imagery so imminent in his work today. After studying industrial design in Madrid and Paris he joined Fabrica in 1997, the Benetton-funded design and communication academy, working closely with the legendary image-maker and agitator Oliverio Toscani. In a short time he was promoted from student to head of their Design Department. Eight years later, Jaime broke out on his own, first with his collections of designer toys, ceramics and furniture, later followed by interior design and installations.

MODELS

JH43
JH63
JH83
JH93*

MATERIAL

The Analog™ table comes in four variants: as a table for 4, 6 or 8 persons and with tabletops in laminate and veneer. The base consists of four legs made of solid wood. The legs are attached to the tabletop with a 'trumpet' in coated aluminium and the underside of the tabletop is lacquered in colours matching the trumpet. Each leg is mounted with black synthetic glides.

VARIANTS

The Analog™ table is available in the following standard configurations:



TABLETOP: LAMINATE, WHITE
TRUMPET: ALUMINIUM, WHITE
LEGS: SOLID WOOD, OAK



TABLETOP: VENEER, OAK
TRUMPET: ALUMINIUM, WHITE
LEGS: SOLID WOOD, OAK



TABLETOP: VENEER, WALNUT
TRUMPET: ALUMINIUM, BLACK
LEGS: SOLID WOOD, WALNUT



TABLETOP: VENEER, WALNUT
TRUMPET: ALUMINIUM, BLACK
LEGS: SOLID WOOD, BLACK LACQUERED OAK

MADE-TO-ORDER

Non-standard configurations (special colours etc.) are available upon request at a minimum order quantity.

CERTIFICATION

FSC™ FSC-C120451: The wood** used for Analog™ is FSC-certified (FSC MIX). The FSC-certification ensures the wood is from responsible and environmentally managed forests that preserve the natural surroundings and support the local community.

For more information about environment and manufacturing processes, please download our environmental information sheet at: fritzhanzen.com

TEST

- Strength and durability: EN 15372:2016 Test level 2 General Contract use
- Stability: EN 1730:2012

COUNTRY OF ORIGIN

Poland

*Only available with white laminate tabletop, white aluminium trumpet and oak legs.
**This doesn't apply to legs in solid wood, walnut.

PRE-ASSEMBLED

No

PACKAGING

The tabletop is covered with a plastic bag and LD Polyethylene foam and packed in cardboard. All packaging material can be recycled. The legs are separately packed with similar packaging materials.

CLEANING AND CARE

Find recommendations for cleaning and care at: fritzhanzen.com/maintenance

REPAIR, DISPOSAL AND REUSE

In case of repair and disposal all parts can be disassembled and replaced/disposed accordingly. Check local regulations for recycling options and whether there is potential for reuse.

WARRANTY

Fritz Hansen provides a five-year warranty on standard products against defects in materials and workmanship.

An extended warranty of up to twenty years is provided on selected products provided they have been registered online on fritzhanzen.com/my-fh

Standard: 5 years (Surfaces on tabletop, Lacquered edges)

Extended: 10 years (Base, Tabletop)

On any material, fabric or leather, which is not listed in our price list on a specific product, the standard warranty is 2 years.

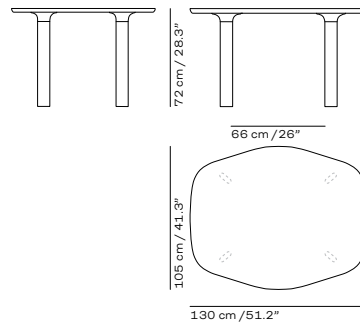
Additional warranty conditions can be found at: fritzhanzen.com/warranty

SPARE PARTS

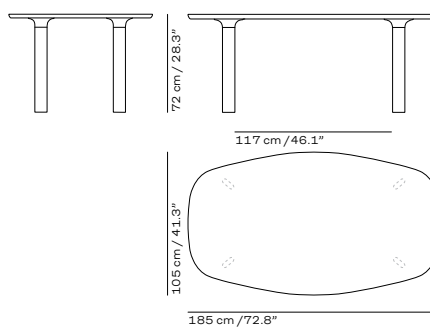
A range of spare parts can be found on: fritzhanzen.com/en/Categories/Products/Spareparts

DIMENSIONS

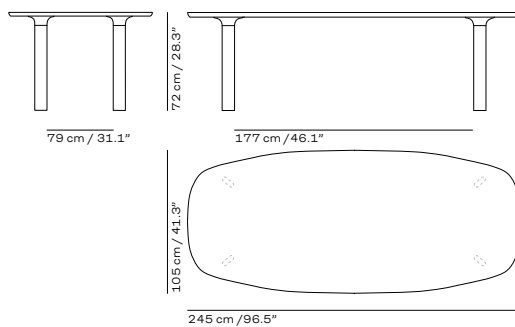
JH43



JH63



JH83



JH93

