

FLOS

F9705020 Grey

Pochette Up/Down Led

Designed by Rodolfo Dordoni, 2003

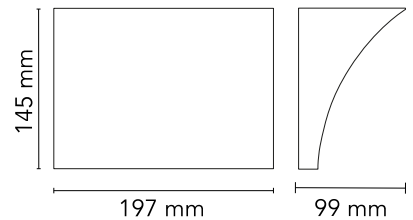


22W - 1744lm - 2700K - CRI> 90

Wall lamp providing direct/indirect light. Pressure die-cast Zamak alloy structure, matte gray, shiny white or chrome plated finish. Molded steel, galvanized white wall attachment containing the wall attachment system as well as the electrical devices.

Are you a professional and your project needs consulting and support?

[BOOK AN APPOINTMENT](#)



Main specifications

EAN	8059607024256
Mounting	Wall
Environments	Indoor dry location
Light source type	LED
Light sources included	Yes
LED type	LED Module
Power (W)	22
System flux (lm)	1744

Physical

Colour	Grey
Length (mm)	197
Net weight (kg)	1.7
Package height (mm)	135
Package width (mm)	265
Package length (mm)	180
Package volume (m3)	0.01
IP internal	20

Download

Mounting instructions [↓ PDF](#)

Photometric Files

LDT / IES [↓ LDT](#)

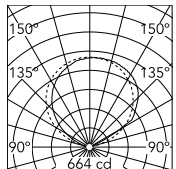
Technical Drawings

2D [↓ ZIP](#)

3D [↓ ZIP](#)



Schematic light drawing



Beam Angle: 107°

h(m)	E(lx)	D(m)
1	659	2.74
2	165	5.47
3	73	8.21
4	41	10.95
5	26	13.68

Photometric

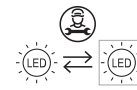
Light distribution	Asymmetric
CCT (K)	2700
CRI>	90
Extreme cut off	No

Electrical

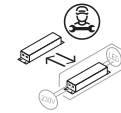
Insulation class	I
Frequency (Hz)	50/60
Main voltage (Vac)	220-240
Power supply	Integrated
Dimmable	Yes
Power supply type	Dimmable 1-10V
Dimming interface	Remote Dimmable (Dimmer Not Included)
Batteries inside	No

Ecodesign and Energy Labelling

This product contains a light source of energy efficiency class E



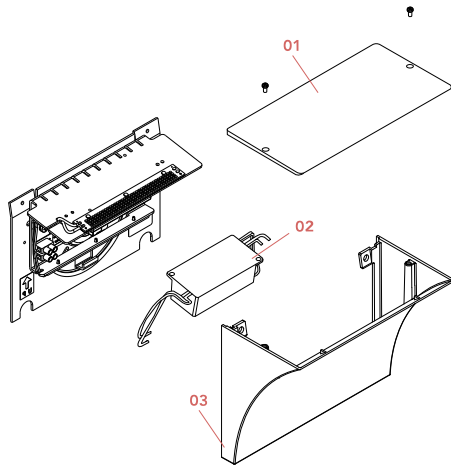
Replaceable (LED only) light source by a professional



Replaceable control gear by a professional

Spare Parts

- | | | |
|-----|-------------------------|---------|
| 01. | Up transparent diffuser | RF25606 |
| 02. | Led power supply | RF25062 |





RF25606

Up transparent diffuser



RF25062

Led power supply