

# VL STUDIO WALL LAMP

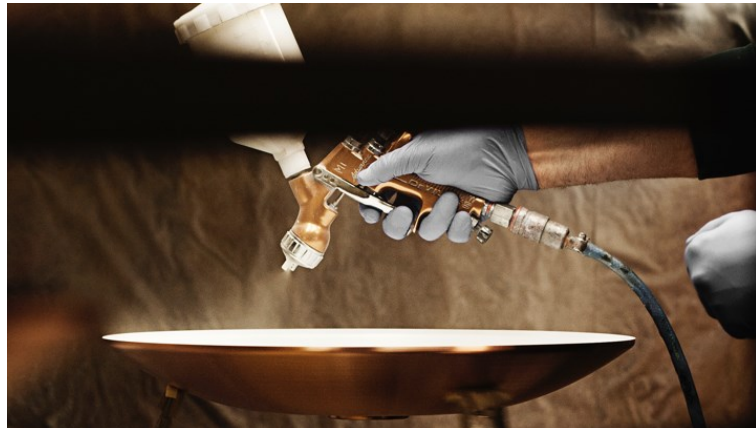
VL Studio Wall Lamp - 5743147102

The fixture emits a glare-free, diffused light. The triple-layered opal glass provides a pleasant and uniform illumination of the area around the fixture. The lamp shade can be tilted 90 degrees to the right or left, which allows for flexible light distribution.



## Vilhelm Lauritzen

Vilhelm Lauritzen (1894–1984) is one of the most significant architects in the history of Denmark; he was the trail-blazing figurehead of Danish functionalism. A number of his buildings – Nørrebro Theatre (1931–32), Daells Varehus department store (1928–35), Radihuset (1936–41) and the first airport built in Kastrup (1937–39) – represented the concentrated essence of contemporary life.



## Product info

### Information

The adjustable lamp shade can be tilted 90 degrees to the right or left. The untreated brass will change over time and develop patina.

### Mounting

Two options. With cord and plug and on/off switch on cord or variant for hardwiring with on/off on main switch. Cord type: Plastic cord with plug. Black for black version and white on brass versions. Cord length: 2.5 m. Glass can be unscrewed to change the light source.

### Finish

Matt black, wet painted or brushed brass with fine hairlines. White opal glass, glossy. EU/UK/JP: Unlacquered brass which will develop a patina. AU/KR/CN/JP/US: Clear lacquered brass.

### Materials

Glass: Mouth-blown, 3-layered opal glass, glossy. Housing: Deep drawn aluminum or brass. Wall box: Die cast aluminum or forged brass. Please note the untreated brass will patinate.

### Sizes and weights

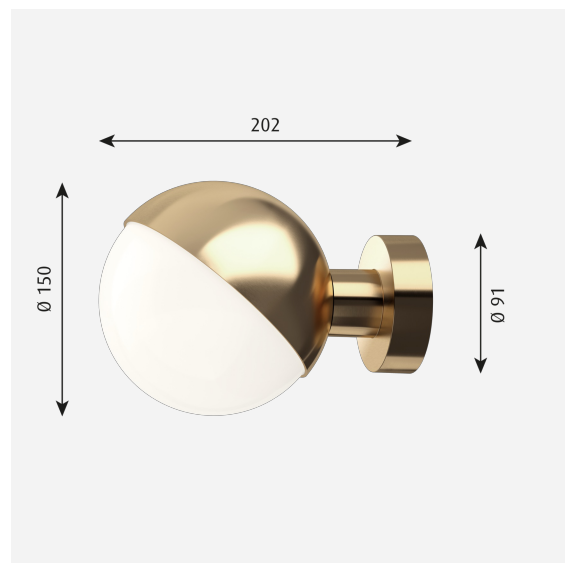
width x Height x Length (mm) | 150 x 150 x 201 Max 0.9 kg

### Class

Ingress protection IP20. With cord and plug: Electric shock protection II. For hardwiring: Electric shock protection I.

### Information

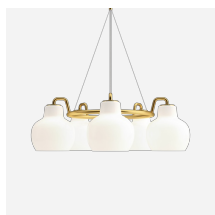
The adjustable lamp shade can be tilted 90 degrees to the right or left. The untreated brass will change over time and develop patina.



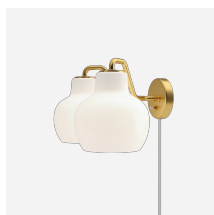
## Related products



VL Ring Crown 1 Pendant



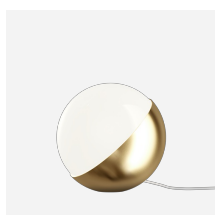
VL Ring Crown 3-5-7 Pendant



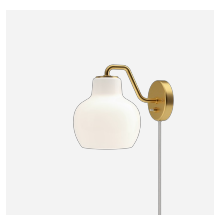
VL Ring Crown 2 Wall Lamp



VL 45 Radiohus Pendant



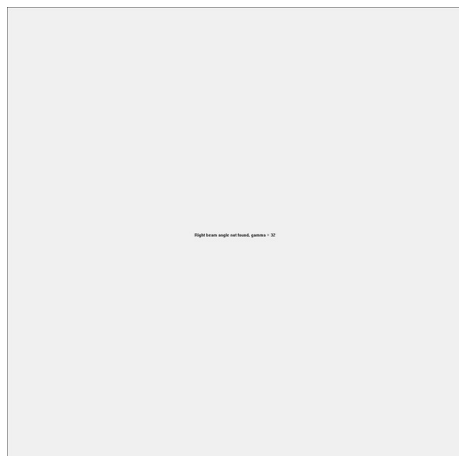
VL Studio Table/Floor Lamp



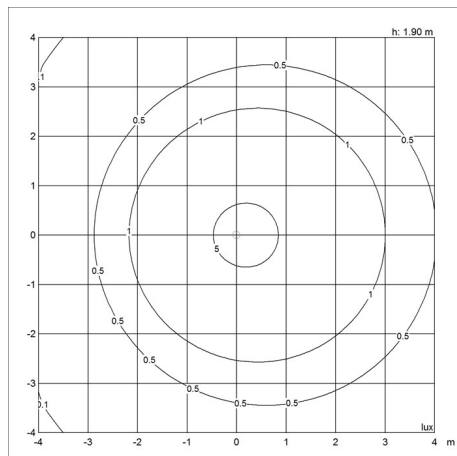
VL Ring Crown 1 Wall Lamp

# Light distribution diagrams

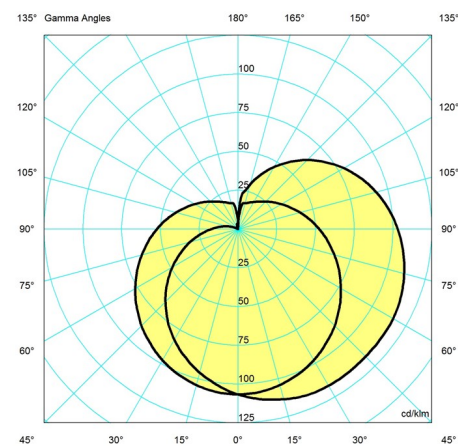
## Cartesian



## Isolux



## Polar



## Spare parts & accessories

### Product

VL Studio Table/Wall, White grommet  
 VL Studio Ø150 Wall glass  
 VL Studio Table/Wall, Black grommet  
 VL Studio Ø150 Wall black pinol screw  
 VL Studio Wall Ø150 brass screw

### Variant number

5744167877  
 5743151868  
 5744167880  
 5743151871  
 5743151884

## Data specifications

Colour	<b>Brass</b>	Length	-
Width	-	Height	-
Built-in Height	-	IP class	<b>20</b>
Class	<b>II</b>	Net Weight	<b>1.3</b>
Standby (W)	-	Power Factor (P = 100 % / P = 50 %)	-
Inrush Current	-	Light source	-

**VL Studio Wall Lamp**

Kelvin	-
SDCM	-
Watt	<b>1.9</b>
Light control	-
UGR Transversal / Axial	<b>10.4/15.2</b>
Driver life	-

CRI	-
Lumen	<b>149</b>
Efficacy	<b>78</b>
Min. Dim Level (%)	-
L80B50 (hours)	-