

samsa

by Sebastian Herkner
TABLE LIGHT



BRIGHTNESS. LIGHTNESS. SEAMLESS.

samsa is Sebastian Herkner's first work for pulpo in casted aluminium. Under his hands, this sturdy and versatile recycling material produces a shining example of lightness – which is coined to the object's function and appearance as well.

COLORS + ART. NR



aluminium blast

2023BLA



aluminium brut

2023BRU

colour

YEAR OF DESIGN

2022

MATERIAL

aluminium

DIMENSIONS (mm)

260 L × 260 W × 350 H

PRODUCT CHARACTERISTICS

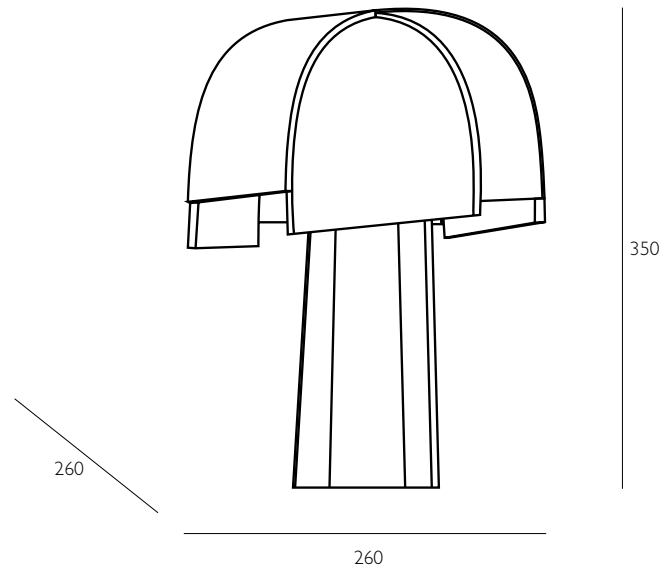
The samsa is a masterwork of traditional craftsmanship. Each lamp is handmade and has characteristic features such as irregularities in aluminium thickness, colour variations, small bumps in the aluminium.

ASSEMBLY REQUIRED

Yes.

SUSTAINABILITY

samsa is a sustainable design, means that parts can be separated and sorted for recycling.



CARE INSTRUCTIONS

Regular cleaning and maintenance is important in order to keep your pulpo product looking its best and to prolong its life. Always remove any kind of dirt as soon as possible. We recommend that you first test a small, invisible area to ensure that no colour change or damage arises to the product. Do not use materials for maintenance that contain abrasive agents or are basic, acid or organic.

ALUMINIUM CLEANING

These finishes are relatively fine and should therefore be lightly cleaned with the utmost care, avoiding abrasive cleaning agents. Vigorous rubbing should be avoided. Mild soap with water and a soft brush (like nylon bristles that are very soft, or natural brushes with soft texture) or a clean lint free soft cloth to clean. A freshwater rinse is recommended method of washing the aluminium furniture, and drying with a towel (as necessary.) Regular wiping with a soft cloth will reduce the necessity for more stringent and possibly harmful action, if dirt and grease deposits are allowed to collect on the surface.